

US00D668137S

(12) **United States Design Patent**
Kao

(10) **Patent No.:** **US D668,137 S**
(45) **Date of Patent:** **** Oct. 2, 2012**

(54) **CORD LOCK ASSEMBLY**

(75) Inventor: **Tien Chih Kao**, Taipei (TW)

(73) Assignee: **Duraflex Hong Kong Limited**, Hong Kong (HK)

(**) Term: **14 Years**

(21) Appl. No.: **29/382,189**

(22) Filed: **Dec. 30, 2010**

(30) **Foreign Application Priority Data**

Jul. 1, 2010 (CN) 2010 3 0236783

(51) **LOC (9) Cl.** **08-08**

(52) **U.S. Cl.** **D8/383**

(58) **Field of Classification Search** D8/383,
D8/356; 24/115 G, 112, 115 R, 136 R, 115 M
See application file for complete search history.

(56) **References Cited**

U.S. PATENT DOCUMENTS

D368,852	S	*	4/1996	Ikeda	D8/383
5,621,952	A	*	4/1997	Frano	24/115 G
D417,388	S	*	12/1999	Kawahara	D8/383
6,339,865	B1	*	1/2002	Takahashi et al.	24/136 R
D481,300	S	*	10/2003	Nezu	D8/383

(Continued)

Primary Examiner — Sheryl Lane

(57) **CLAIM**

I claim the ornamental design for a cord lock assembly, as shown and described.

DESCRIPTION

FIG. 1 is a front elevational view of a first part of a cord lock assembly;

FIG. 2 is a rear elevational view of the first part of the cord lock assembly;

FIG. 3 is a left side view of the first part of the cord lock assembly;

FIG. 4 is a right side view of the first part of the cord lock assembly;

FIG. 5 is a bottom plan view of the first part of the cord lock assembly;

FIG. 6 is a top plan view of the first part of the cord lock assembly;

FIG. 7 is a perspective view of the first part of the cord lock assembly;

FIG. 8 is a front elevational view of a second part of the cord lock assembly;

FIG. 9 is a rear elevational view of the second part of the cord lock assembly;

FIG. 10 is a left side view of the second part of the cord lock assembly;

FIG. 11 is a right side view of the second part of the cord lock assembly;

FIG. 12 is a bottom plan view of the second part of the cord lock assembly;

FIG. 13 is a top plan view of the second part of the cord lock assembly;

FIG. 14 is a perspective view of the second part of the cord lock assembly;

FIG. 15 is a front elevational view of the cord lock assembly;

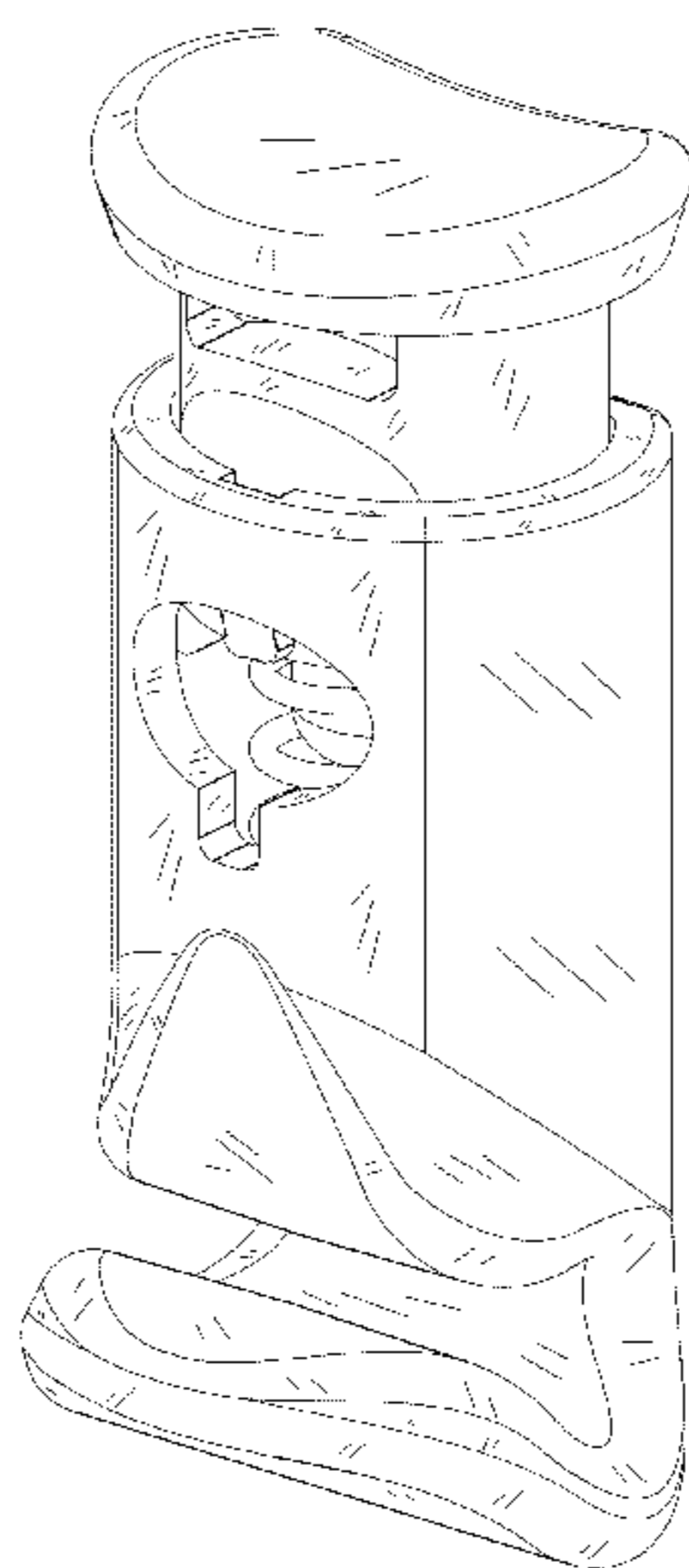
FIG. 16 is a rear elevational view of the cord lock assembly;

FIG. 17 is a left view of the cord lock assembly;

FIG. 18 is a right view of the cord lock assembly;

FIG. 19 is a bottom plan view of the cord lock assembly; and, FIG. 20 is a top plan view of the cord lock assembly; and, FIG. 21 is a perspective view of the cord lock assembly. The broken lines are included for the purpose of showing portions of the article and form no part of the claimed design.

1 Claim, 21 Drawing Sheets



US D668,137 S

Page 2

U.S. PATENT DOCUMENTS

D481,301 S *	10/2003	Nezu	D8/383	D559,668 S *	1/2008	Yoshie et al.	D8/383
D497,540 S *	10/2004	Watabe et al.	D8/383	D571,194 S *	6/2008	Mei	D8/383
7,140,078 B2 *	11/2006	Watabe	24/115 G	D584,942 S *	1/2009	Yoshie	D8/383
D548,578 S *	8/2007	Wu	D8/383	D585,270 S *	1/2009	Yoshie	D8/383
D549,087 S *	8/2007	Pontaoe	D8/383	D585,271 S *	1/2009	Yoshie	D8/383
D559,666 S *	1/2008	Yoshie et al.	D8/383	7,617,574 B2 *	11/2009	Tracy	24/115 G
D559,667 S *	1/2008	Yoshie et al.	D8/383	D630,502 S *	1/2011	Ishii et al.	D8/383

* cited by examiner

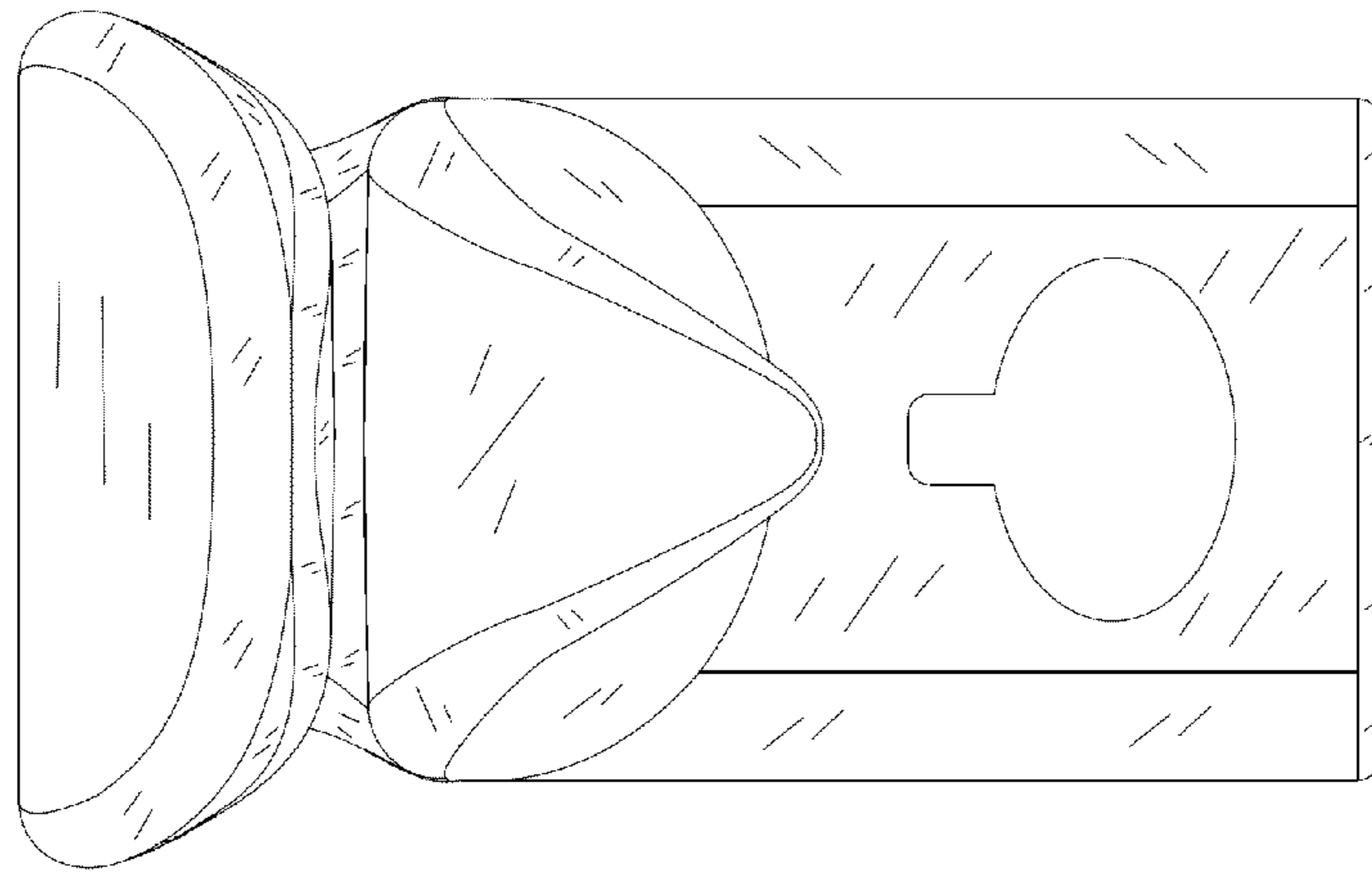


FIG. 1

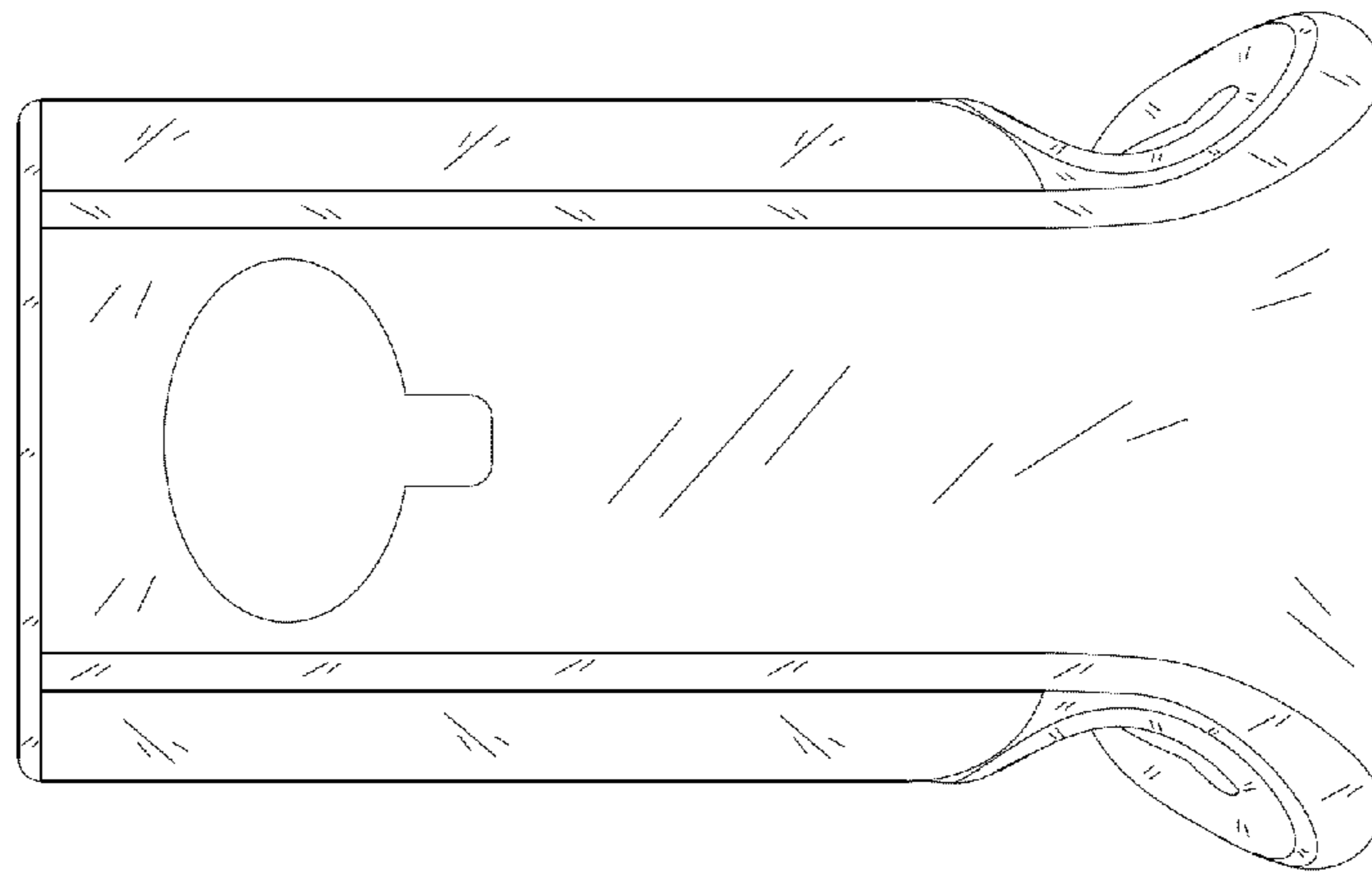


FIG. 2

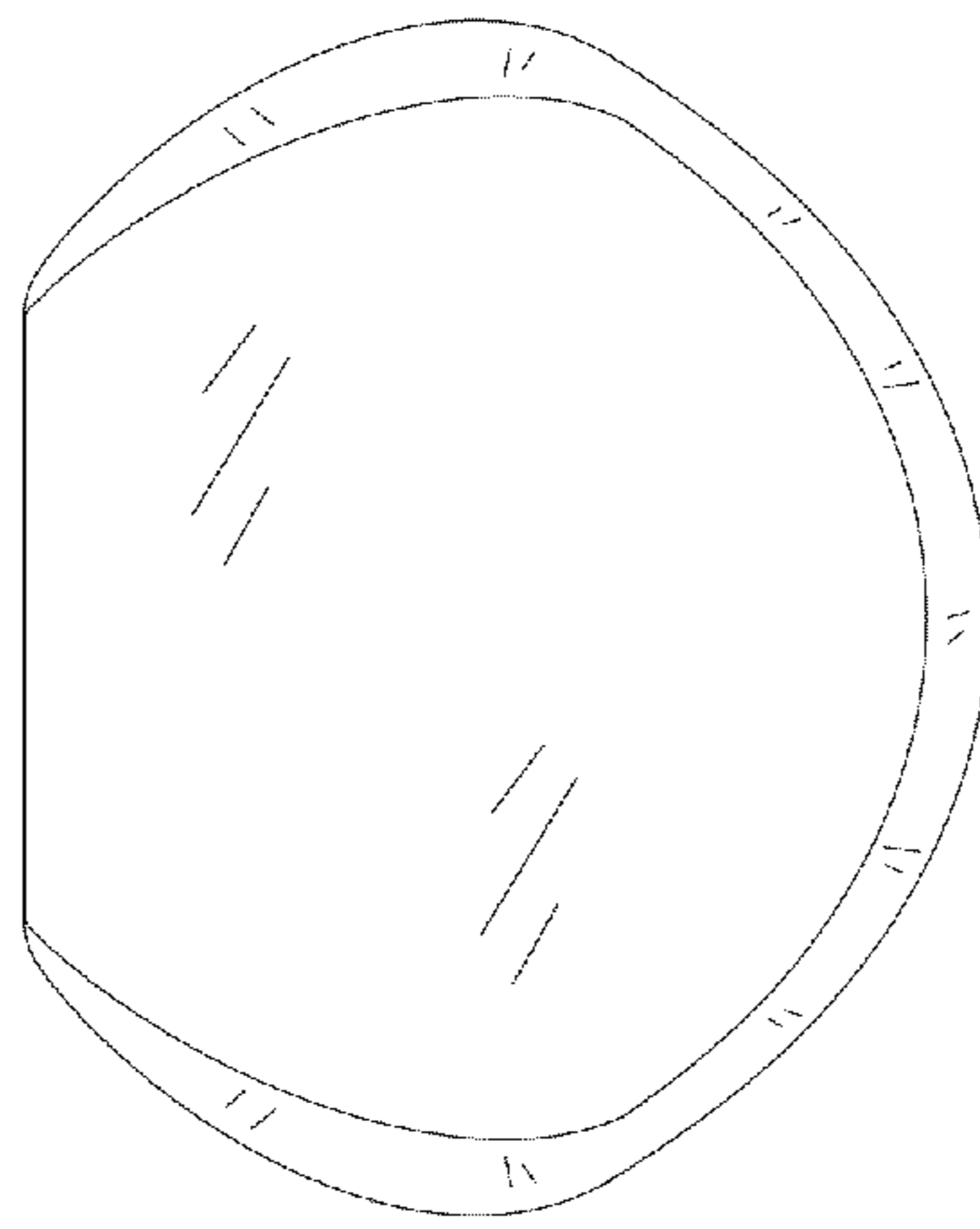


FIG. 3

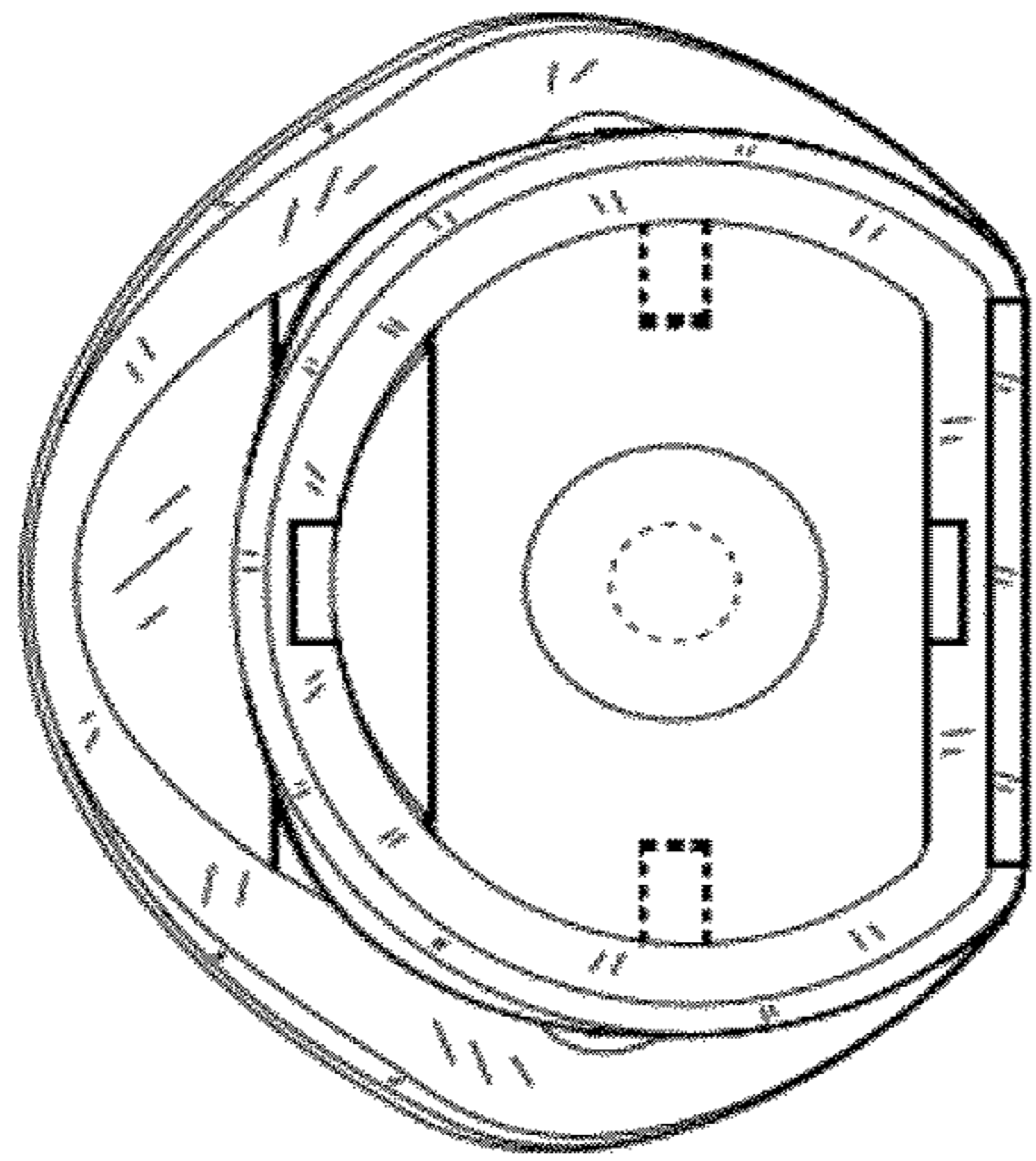


FIG. 4

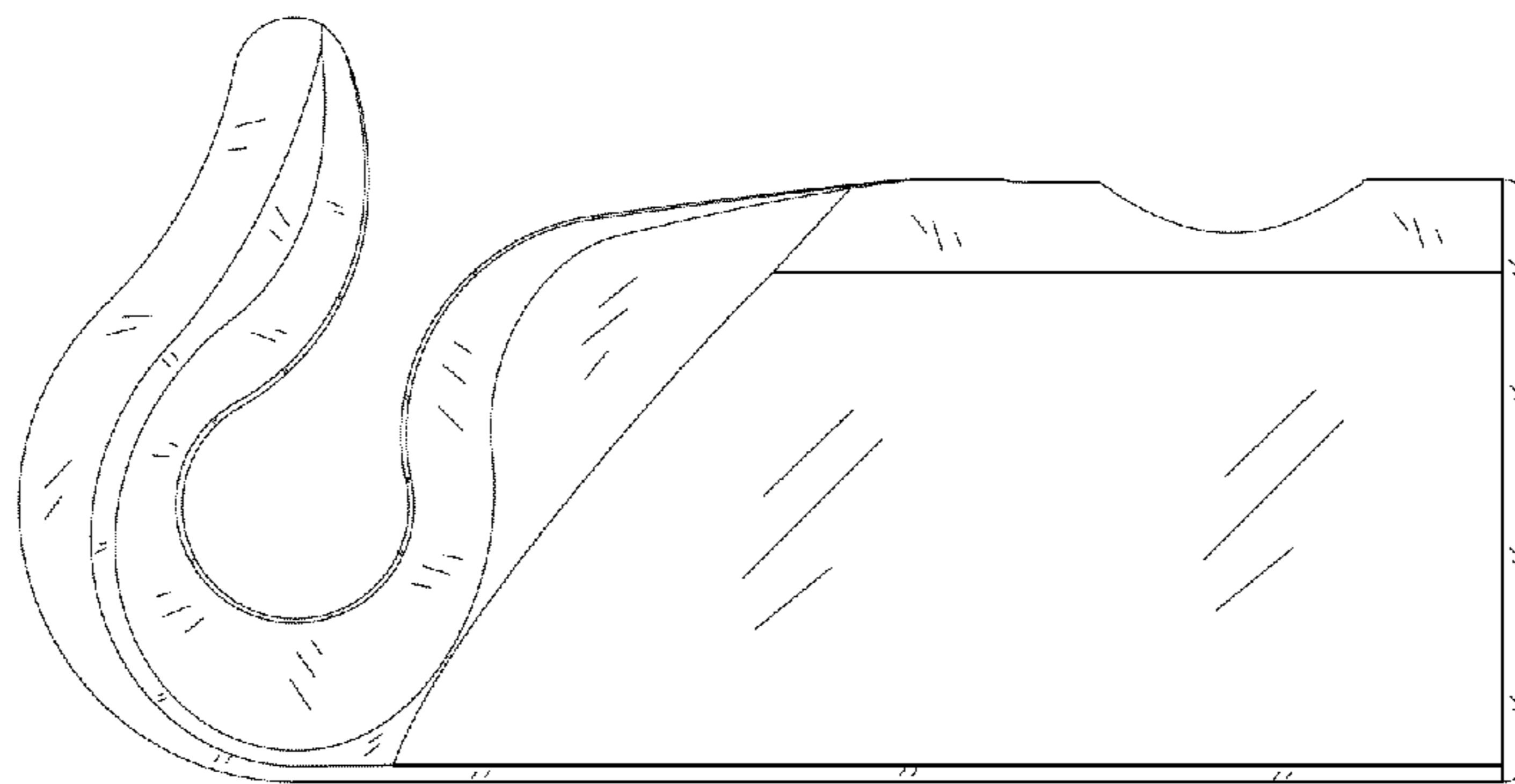


FIG. 5

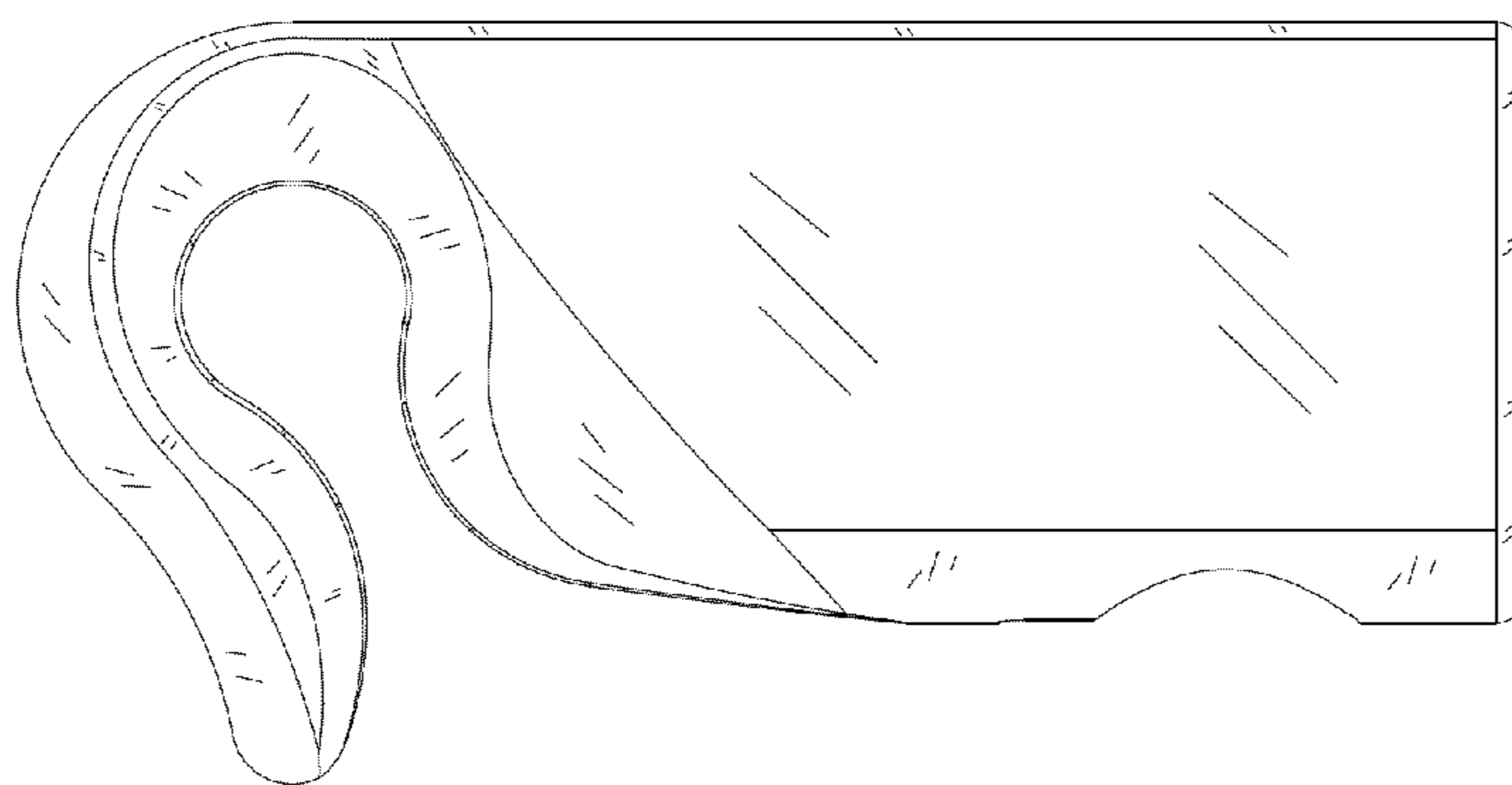


FIG. 6

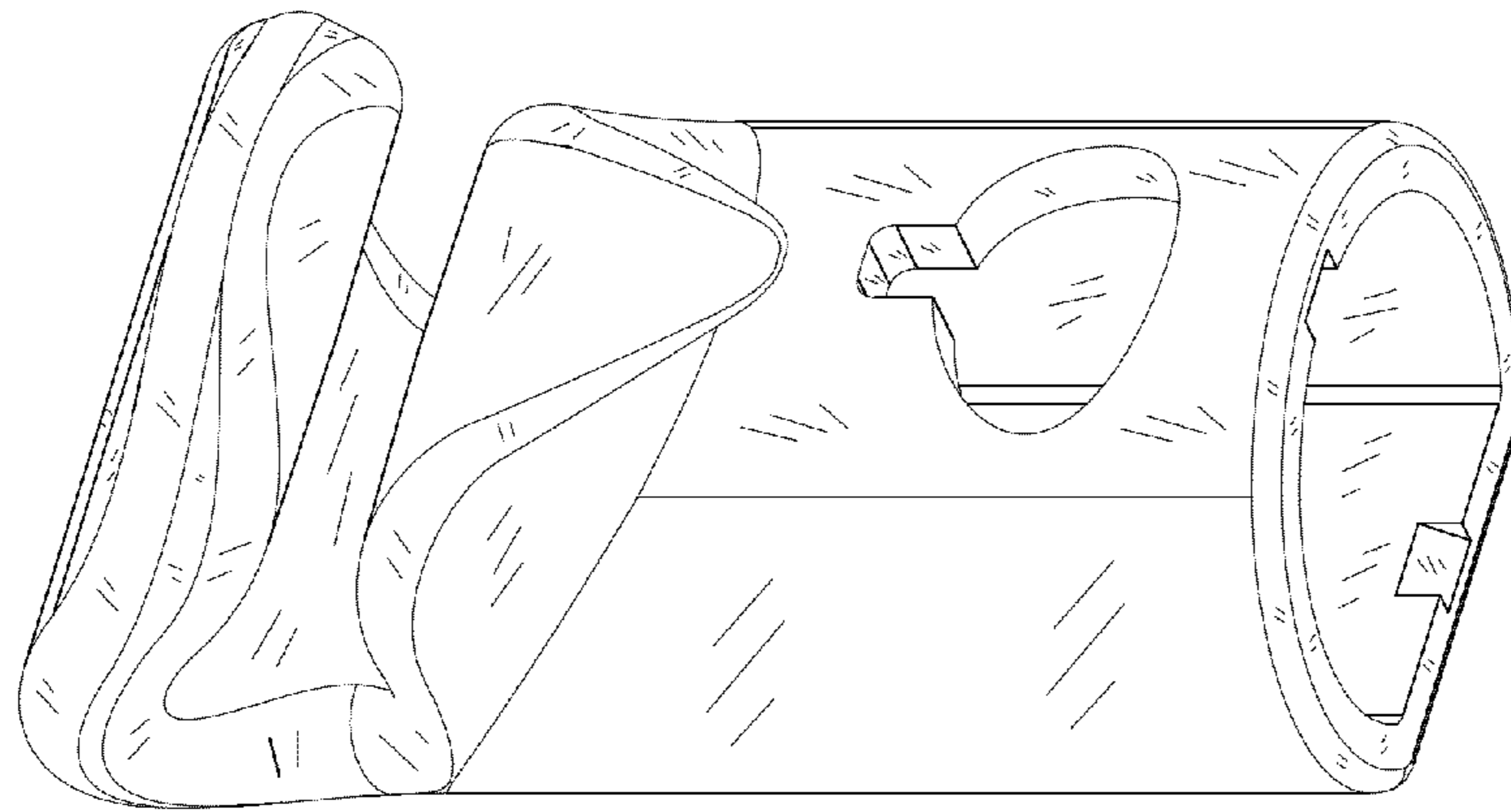


FIG. 7

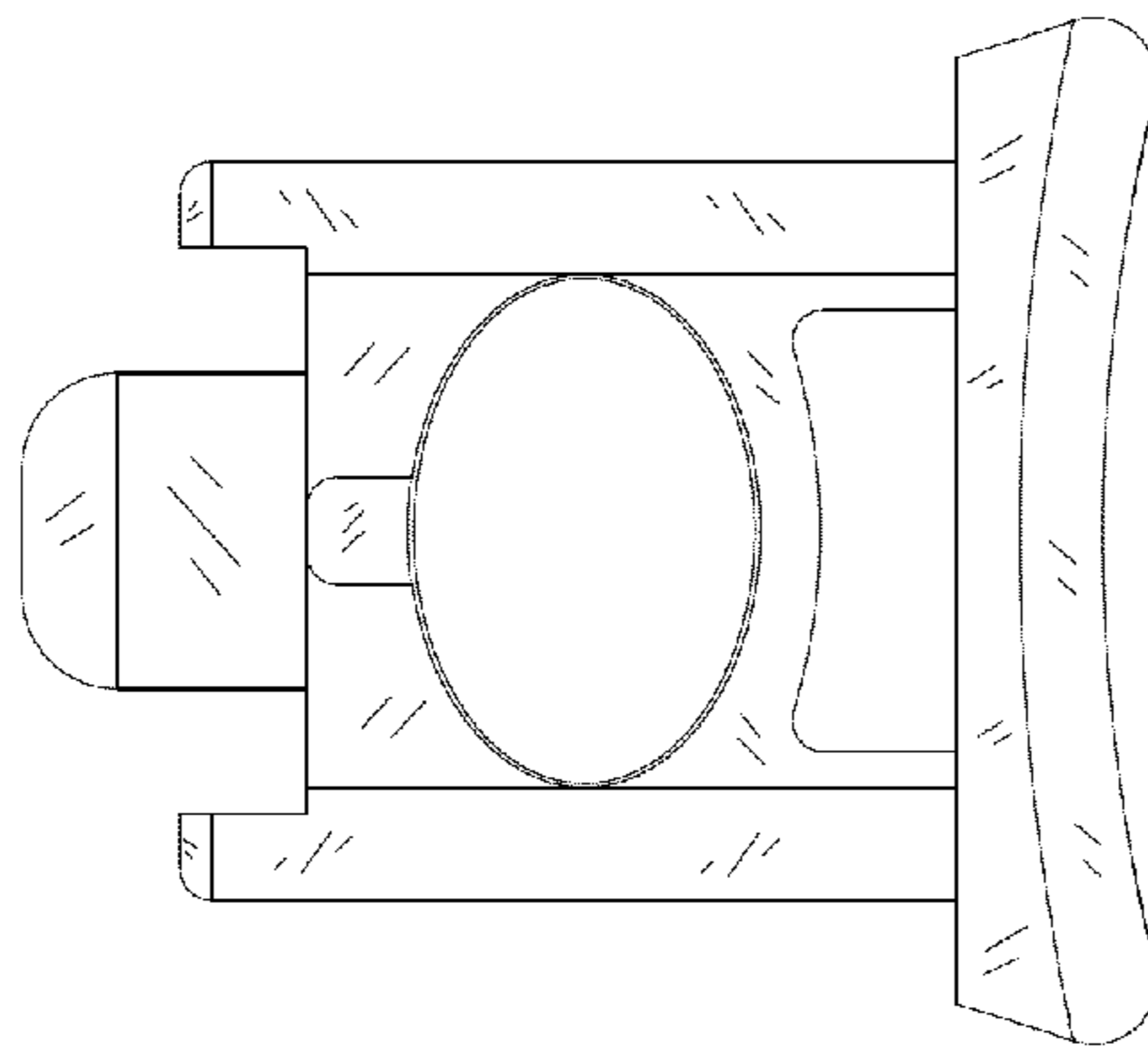


FIG. 8

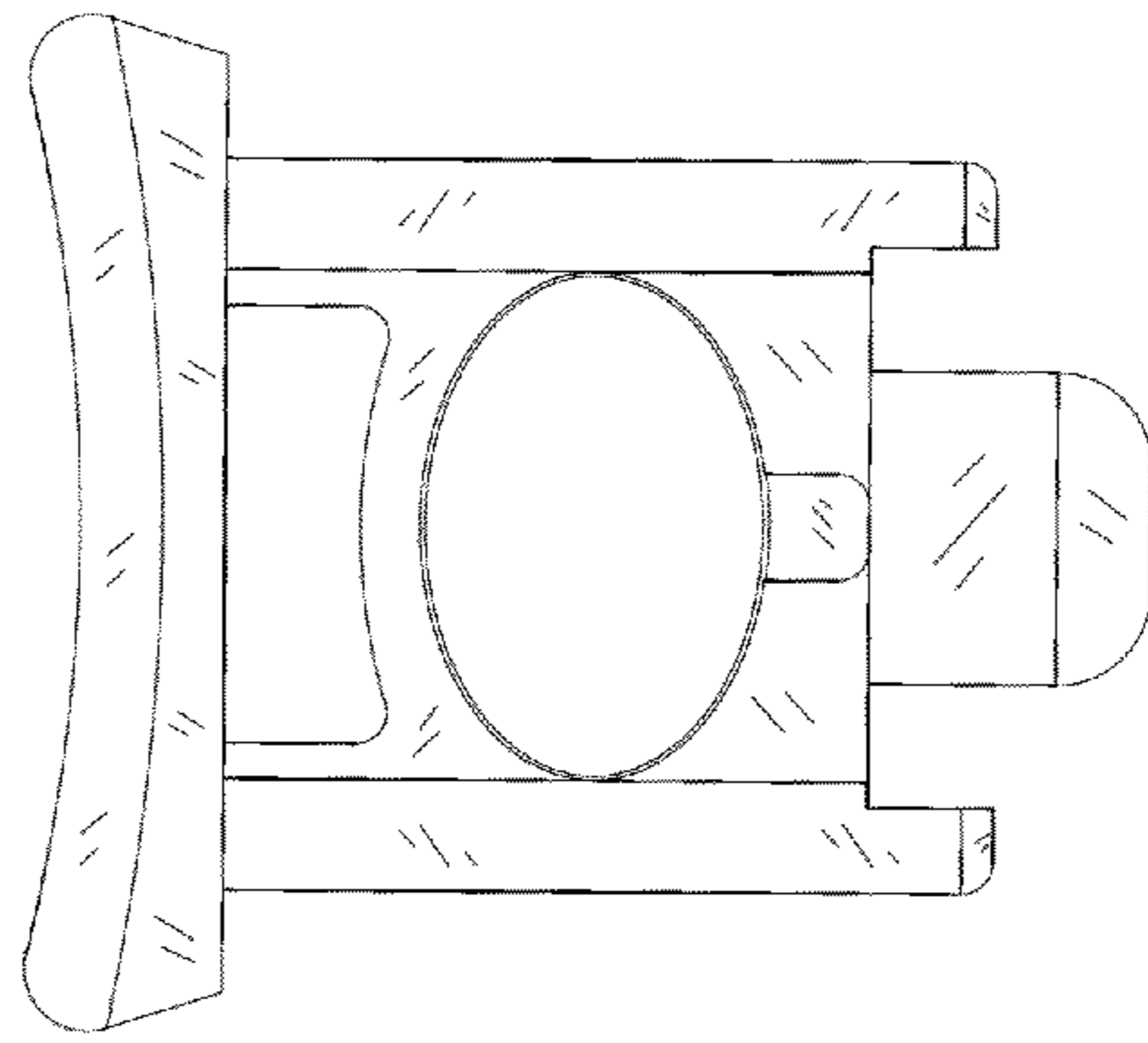


FIG. 9

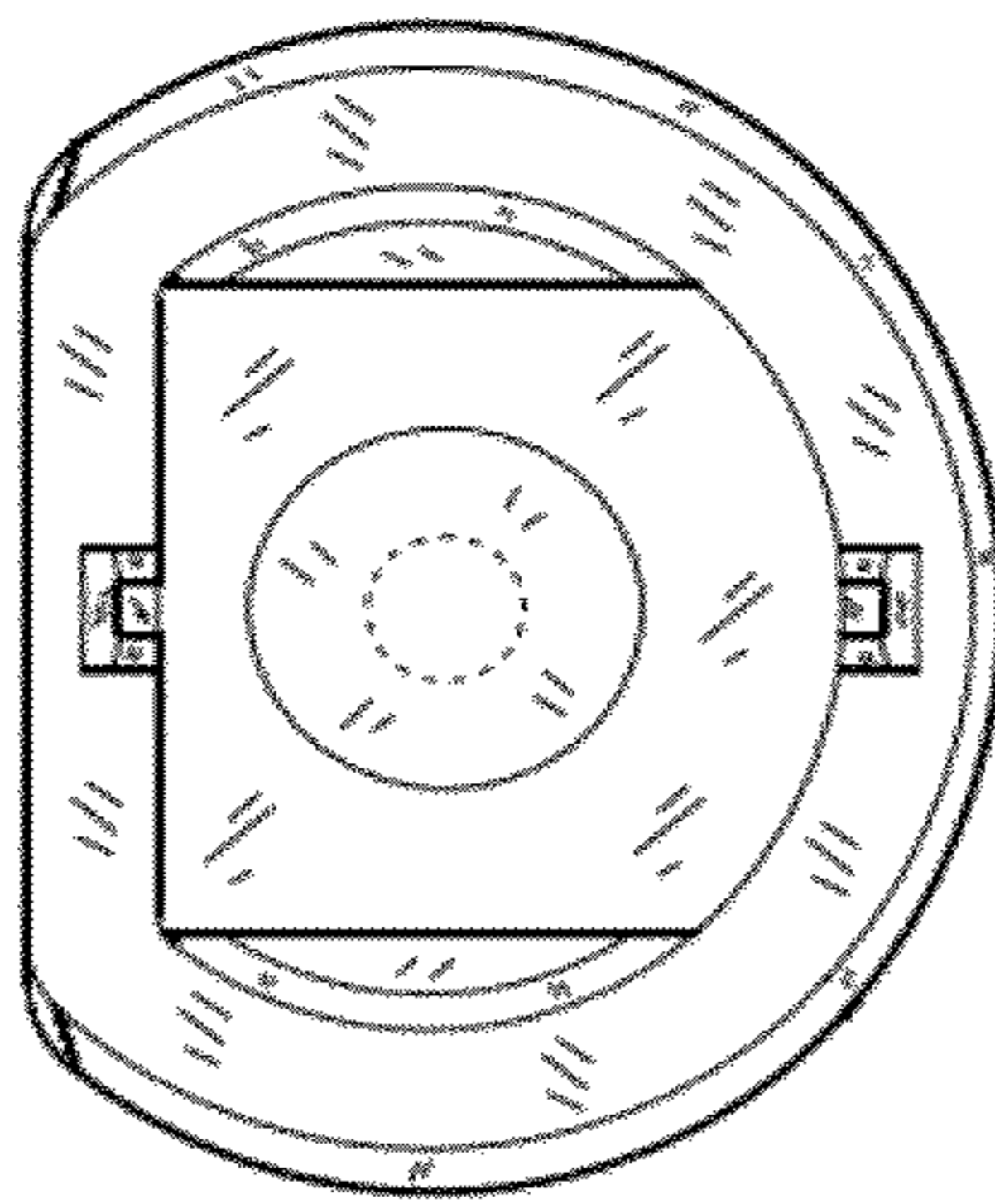


FIG. 10

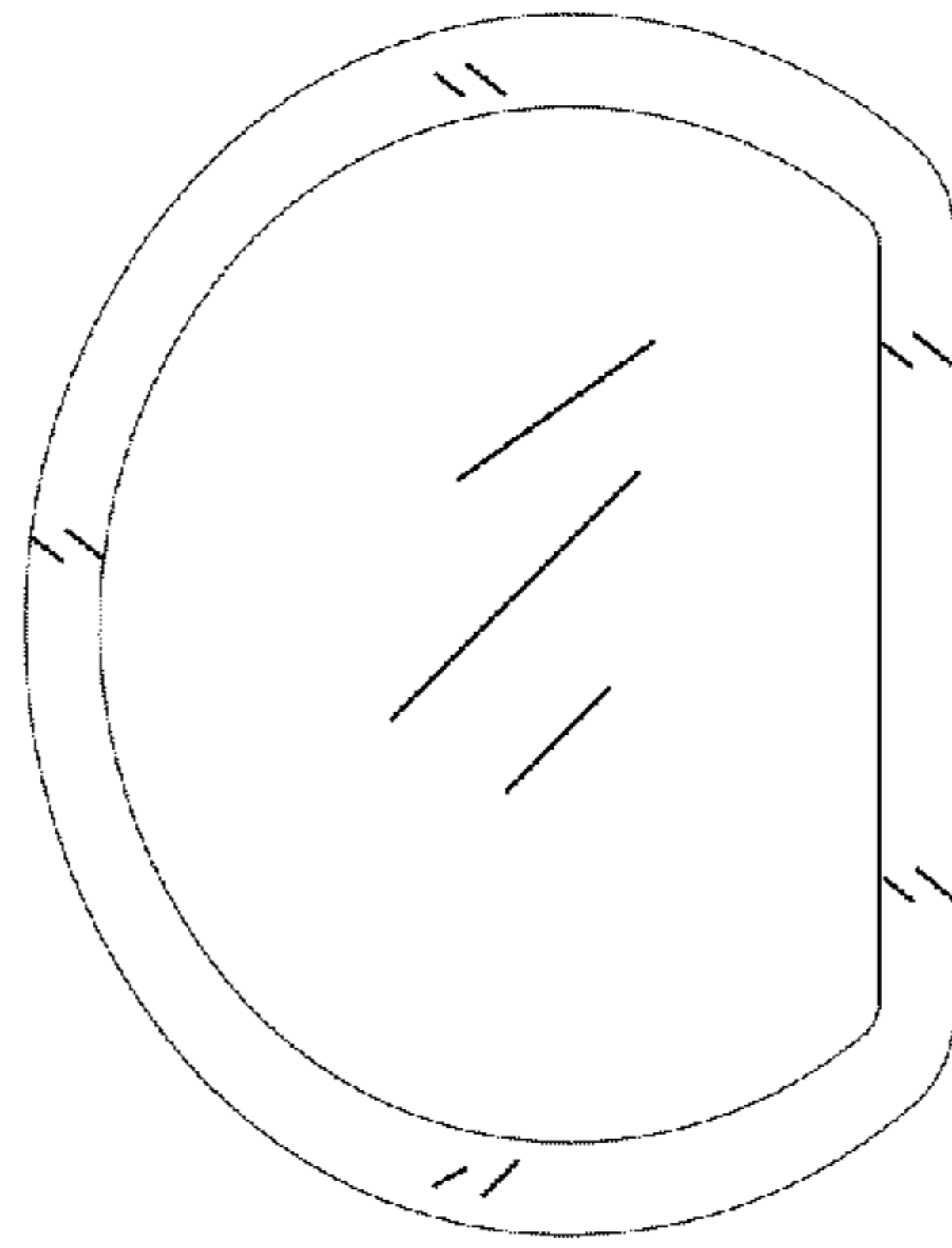


FIG. 11

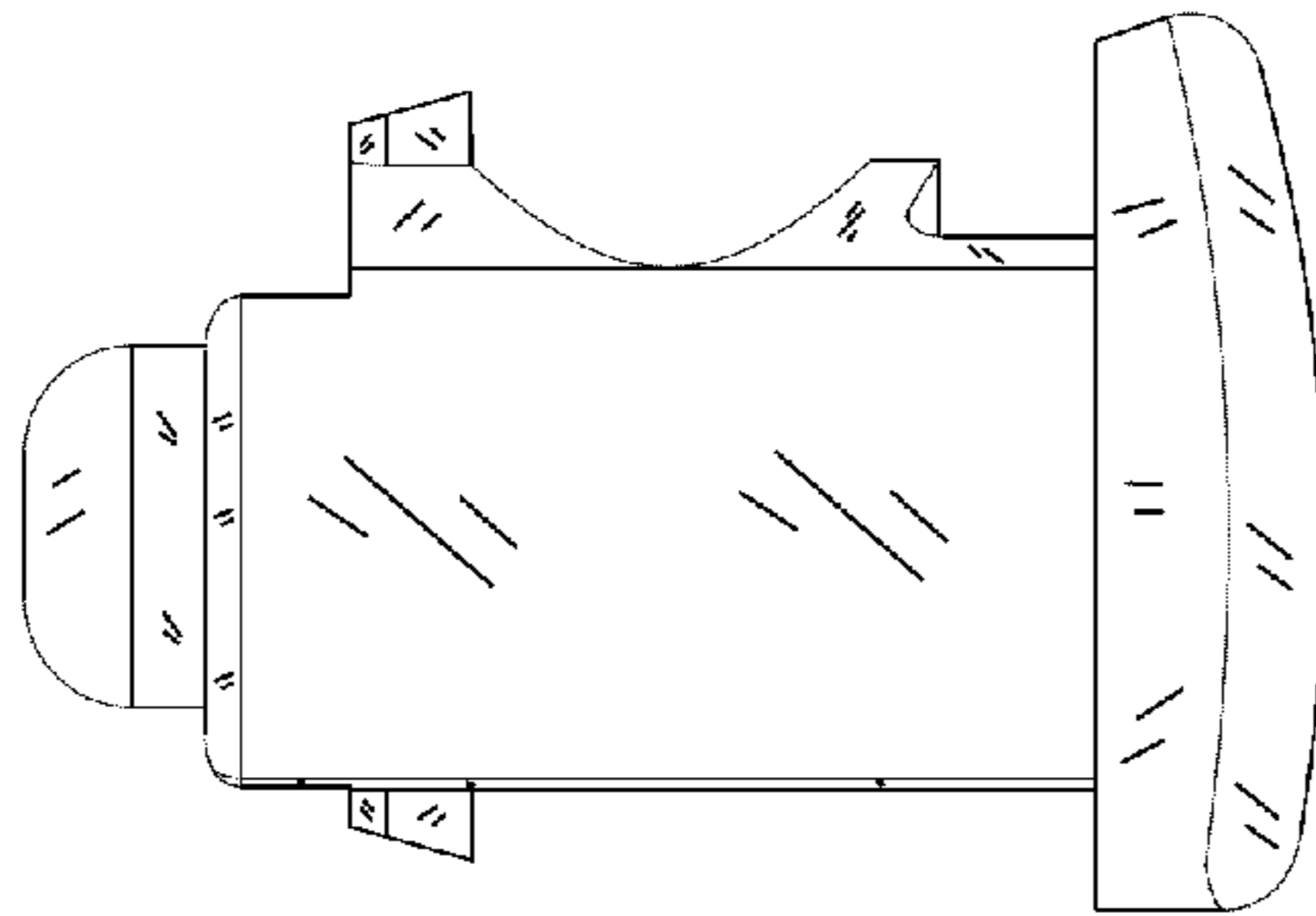


FIG. 12

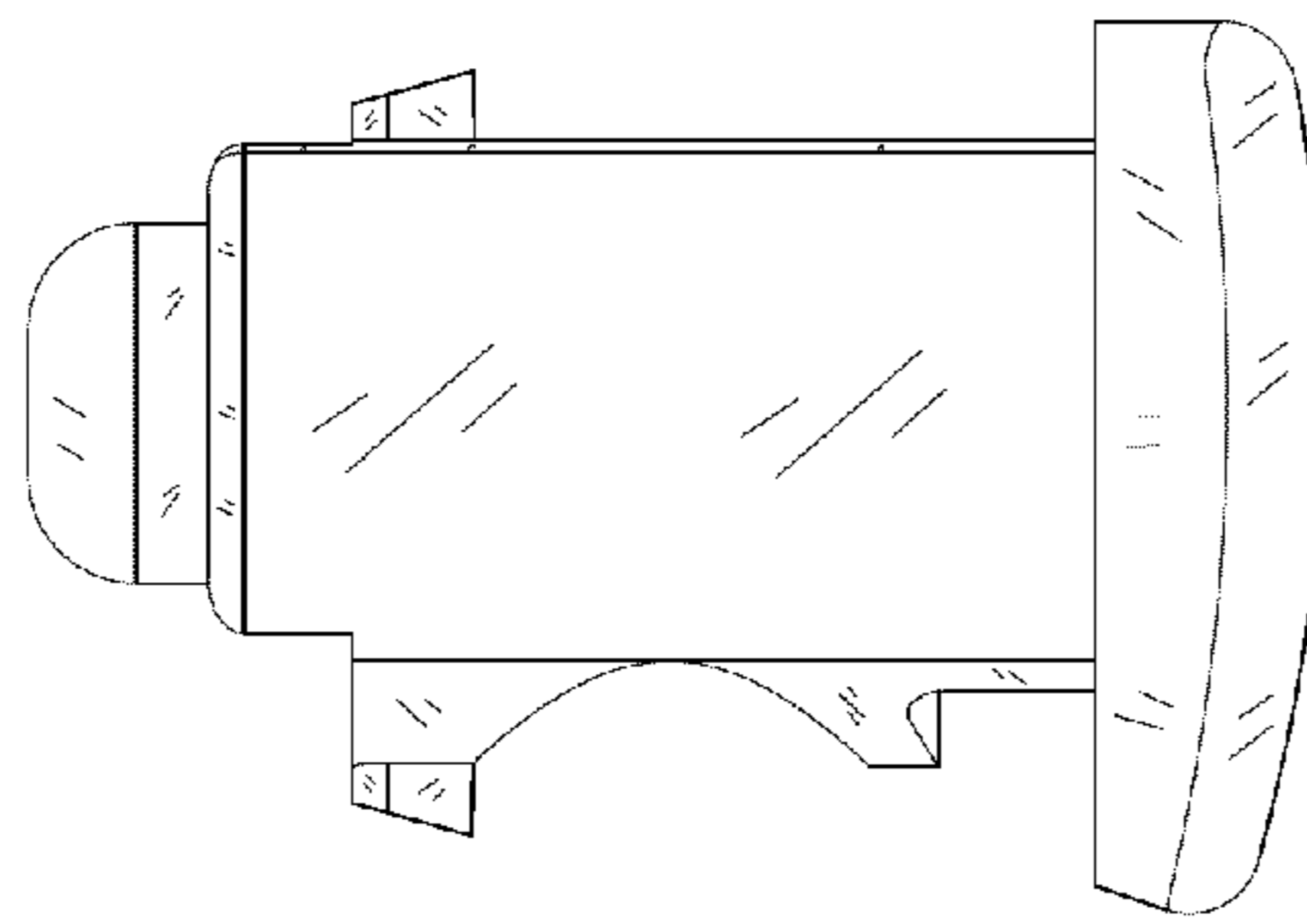


FIG. 13

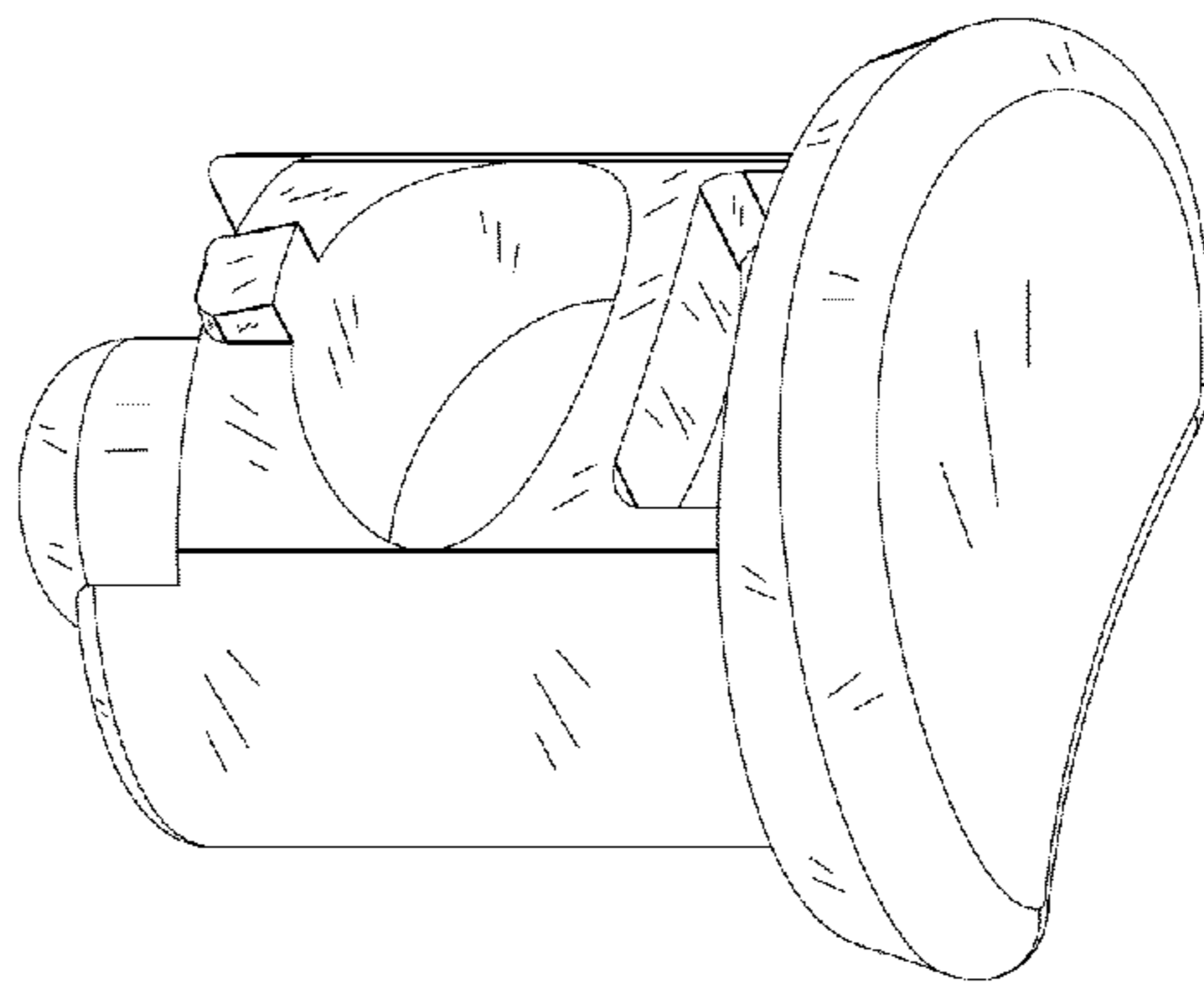


FIG. 14

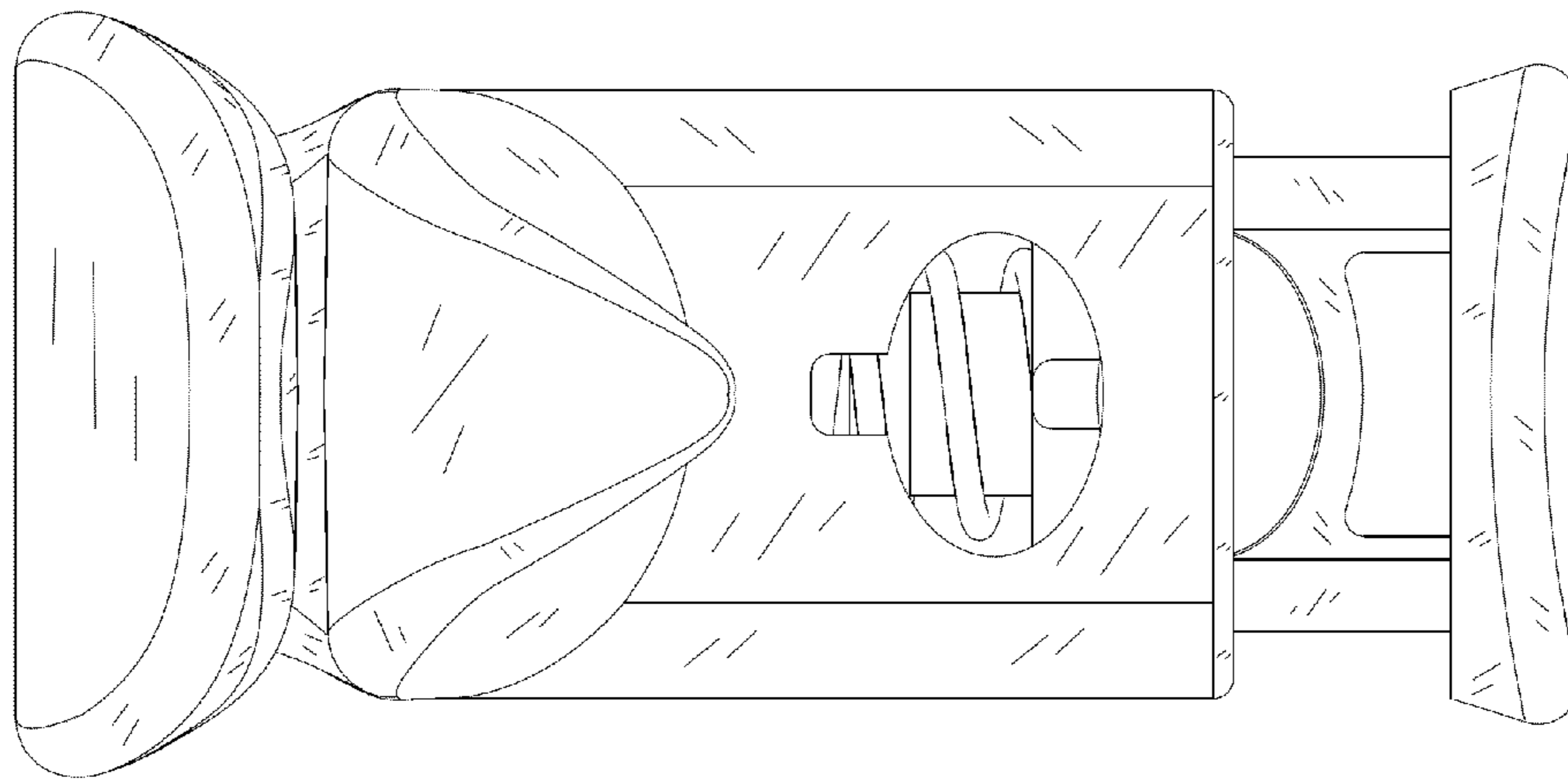


FIG. 15

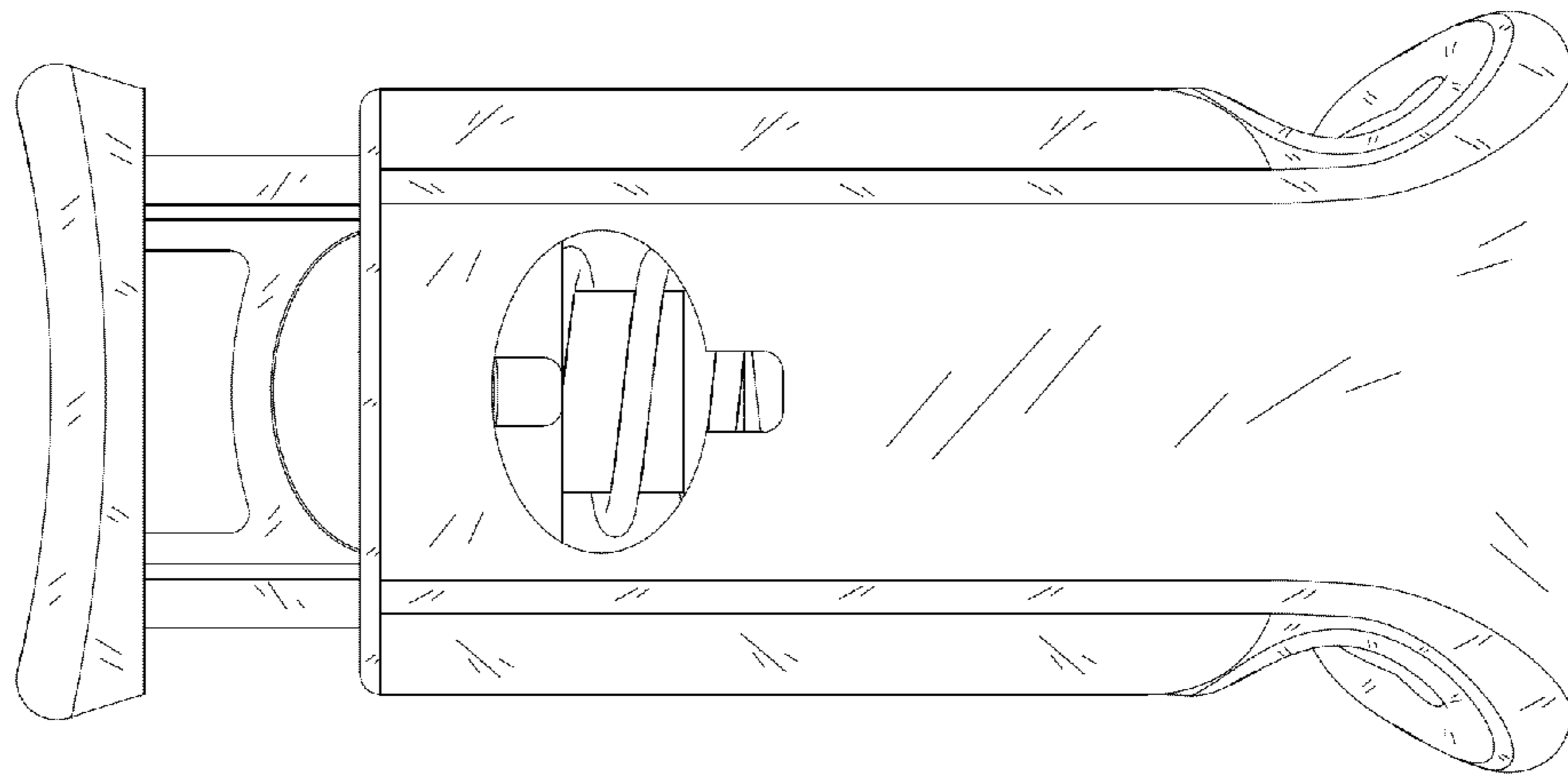


FIG. 16

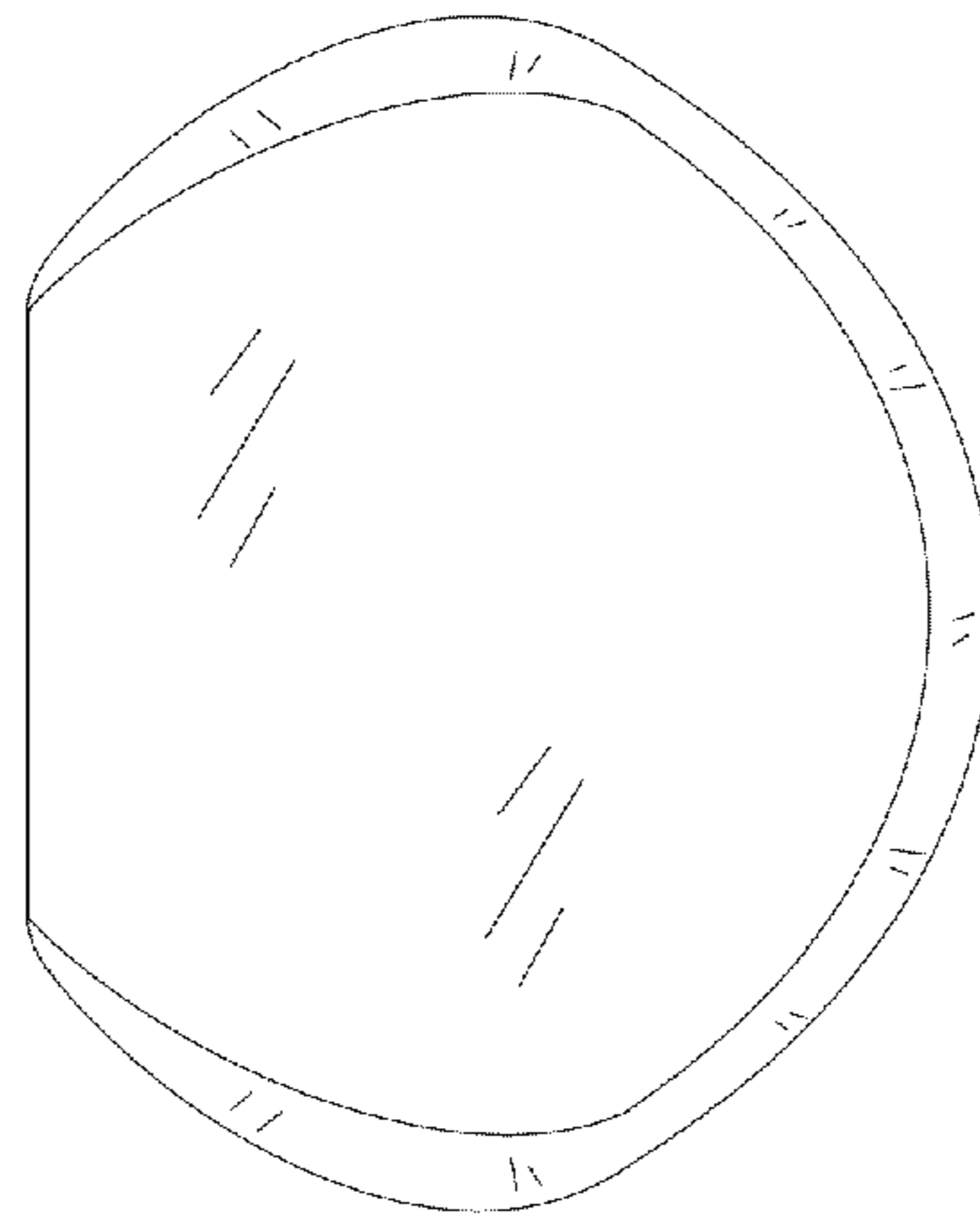


FIG. 17

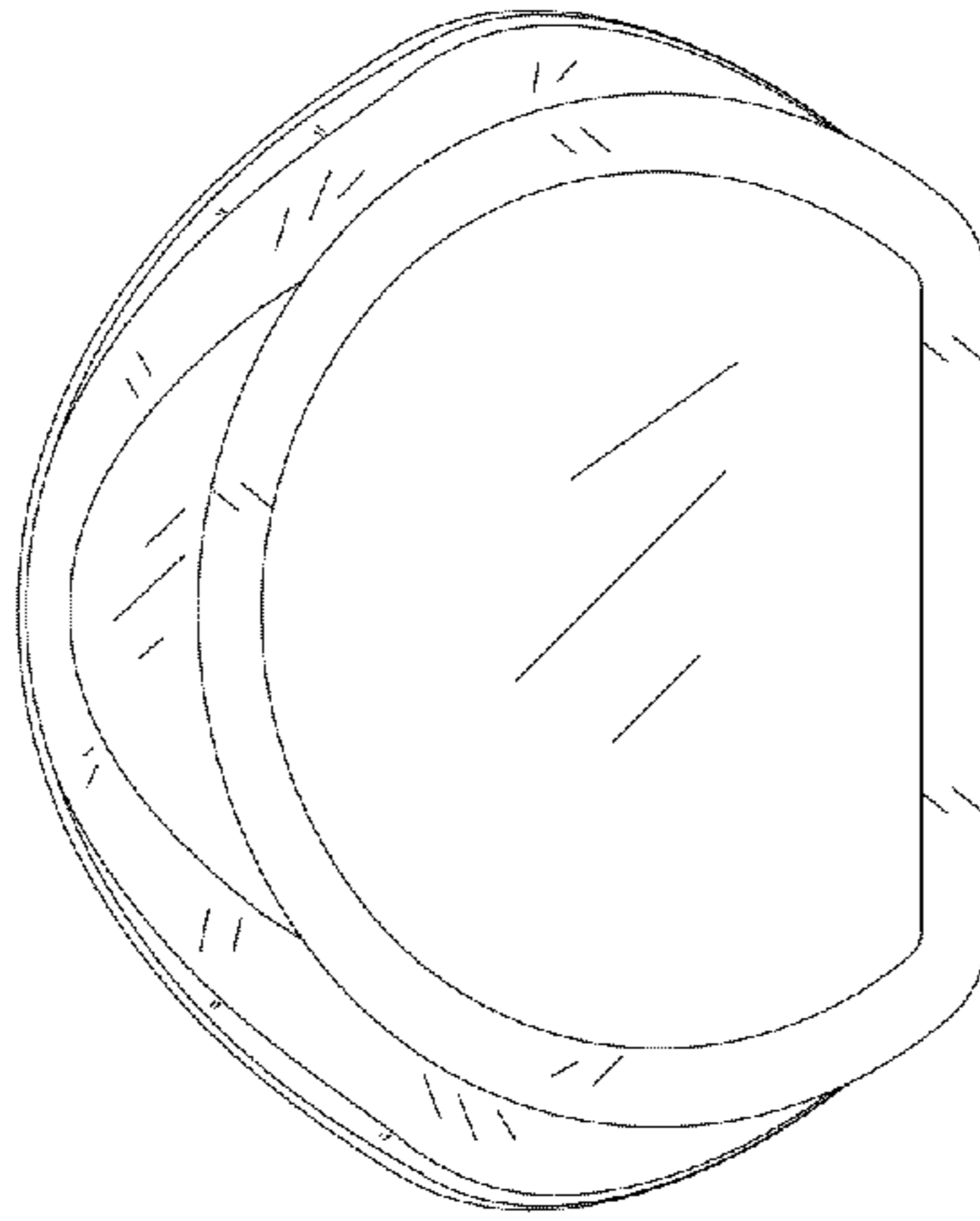


FIG. 18

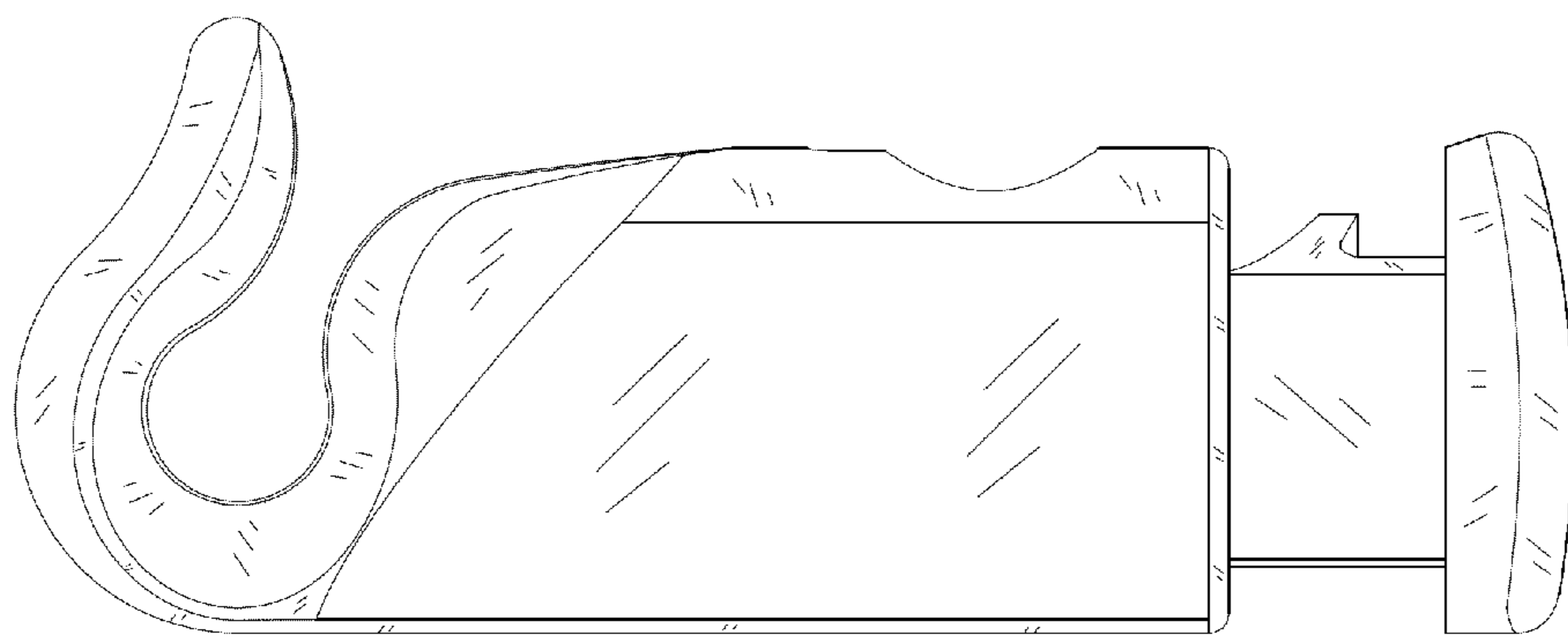


FIG. 19

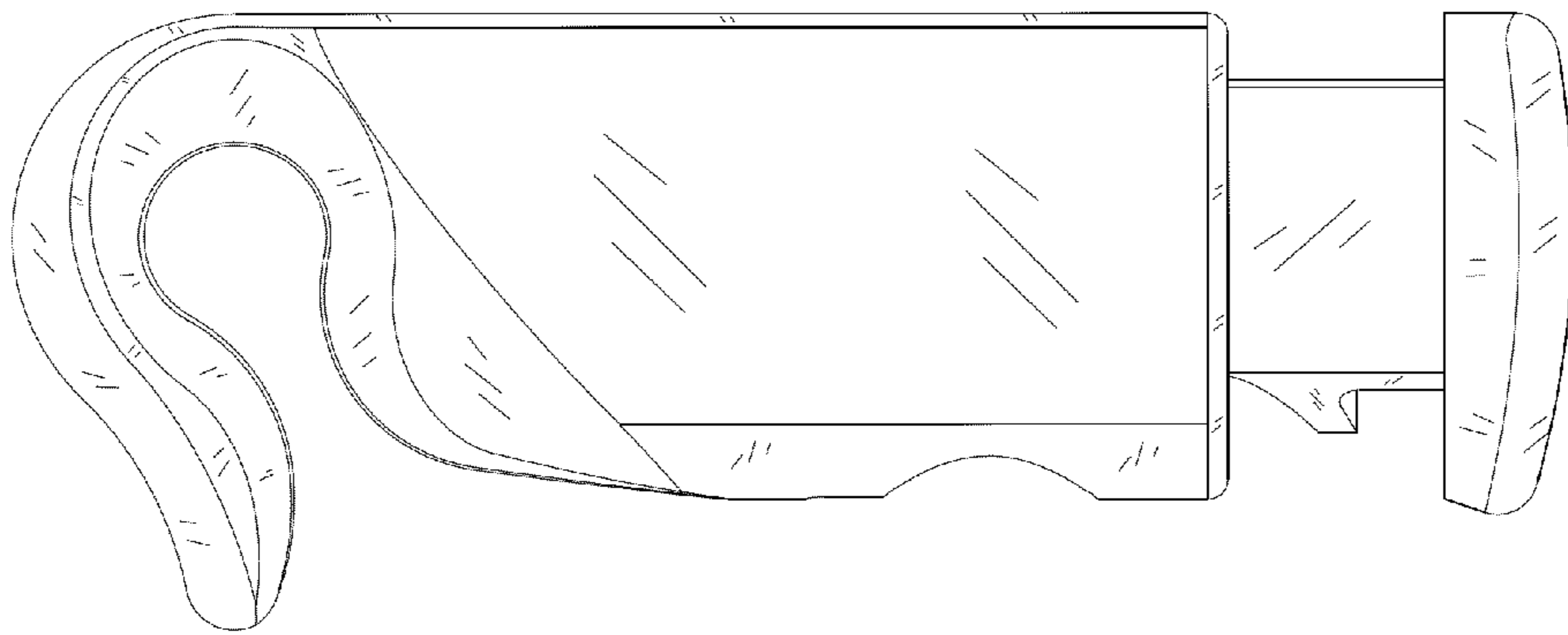


FIG. 20

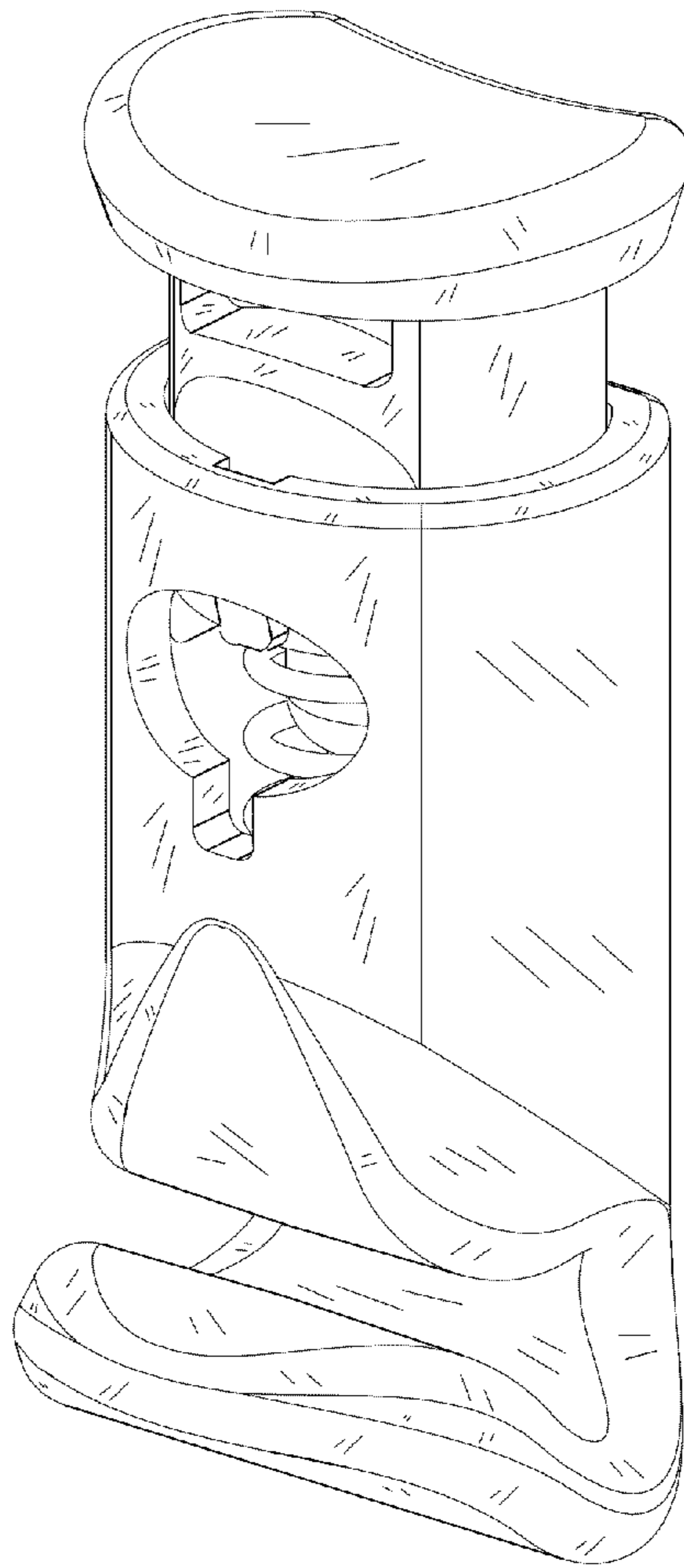


FIG. 21