

US00D668135S

(12) **United States Design Patent**
Goodman et al.

(10) **Patent No.:** **US D668,135 S**
(45) **Date of Patent:** **** Oct. 2, 2012**

(54) **THREE HOOK WALL-MOUNT HOOK**
(75) Inventors: **Sheldon H. Goodman**, Solon, OH (US);
Phaysouk Xayoiphonh, Akron, OH
(US)

(73) Assignee: **Spectrum Diversified Designs, Inc.**,
Streetsboro, OH (US)

(**) Term: **14 Years**

(21) Appl. No.: **29/412,691**

(22) Filed: **Feb. 7, 2012**

(51) **LOC (9) Cl.** **08-05**

(52) **U.S. Cl.** **D8/372**

(58) **Field of Classification Search** D8/367,
D8/376, 354, 349, 373, 365, 372; 211/118;
294/143; 248/340, 301, 304

See application file for complete search history.

(56) **References Cited**

U.S. PATENT DOCUMENTS

874,412	A	*	12/1907	Lewis	248/308
1,134,144	A	*	4/1915	McKinley	248/212
1,506,668	A	*	8/1924	Platt et al.	211/107
D371,303	S	*	7/1996	Nielsen	D8/370
D392,853	S	*	3/1998	Hardison	D8/1
D424,912	S	*	5/2000	Rehmert et al.	D8/367

D424,913	S	*	5/2000	Goodman et al.	D8/372
D439,143	S	*	3/2001	Goodman et al.	D8/372
D481,296	S	*	10/2003	Chen	D8/367
D489,249	S	*	5/2004	Moore	D8/367
D505,614	S	*	5/2005	Barrese	D8/367
D531,889	S	*	11/2006	Woltmann et al.	D8/382
7,350,756	B2	*	4/2008	Woltmann et al.	248/303

* cited by examiner

Primary Examiner — Cynthia Underwood

(74) *Attorney, Agent, or Firm* — Pearne & Gordon LLP

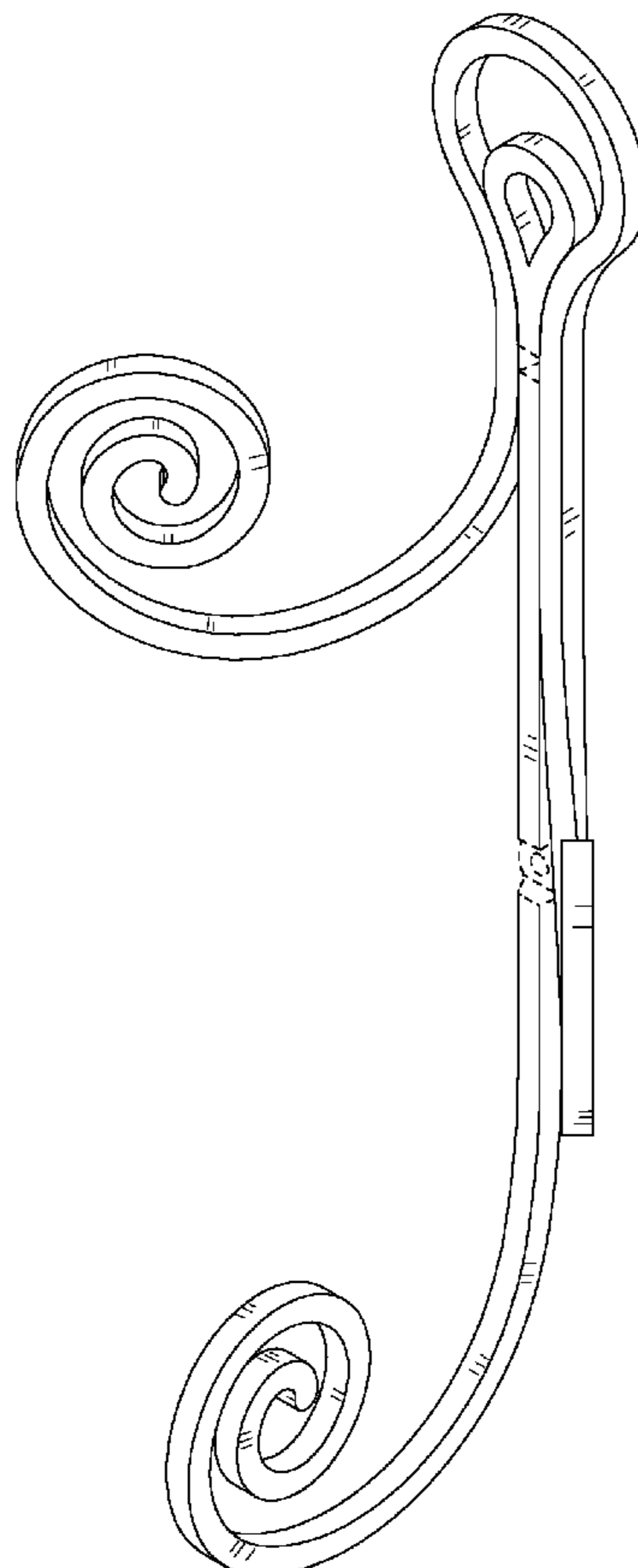
(57) **CLAIM**

The ornamental design for a three hook wall-mount hook, as shown and described.

DESCRIPTION

FIG. 1 is a perspective view of a three hook wall-mount hook showing our new design;
FIG. 2 is a front elevational view thereof;
FIG. 3 is a rear elevational view thereof;
FIG. 4 is a right side elevational view thereof;
FIG. 5 is a left side elevational view thereof;
FIG. 6 is a top plan view thereof; and,
FIG. 7 is a bottom plan view thereof.
The dotted-line showing in the drawings illustrates environmental matter and forms no part of the claimed design.

1 Claim, 4 Drawing Sheets



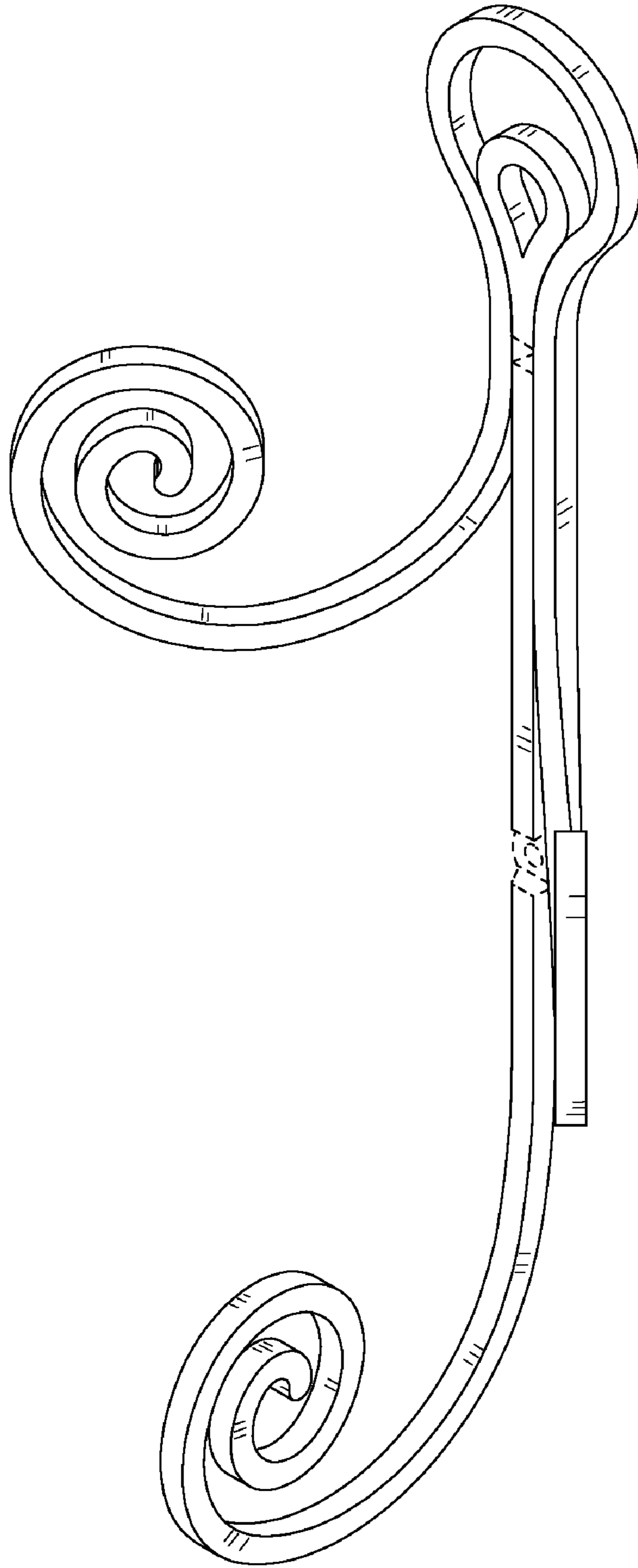


FIG 1

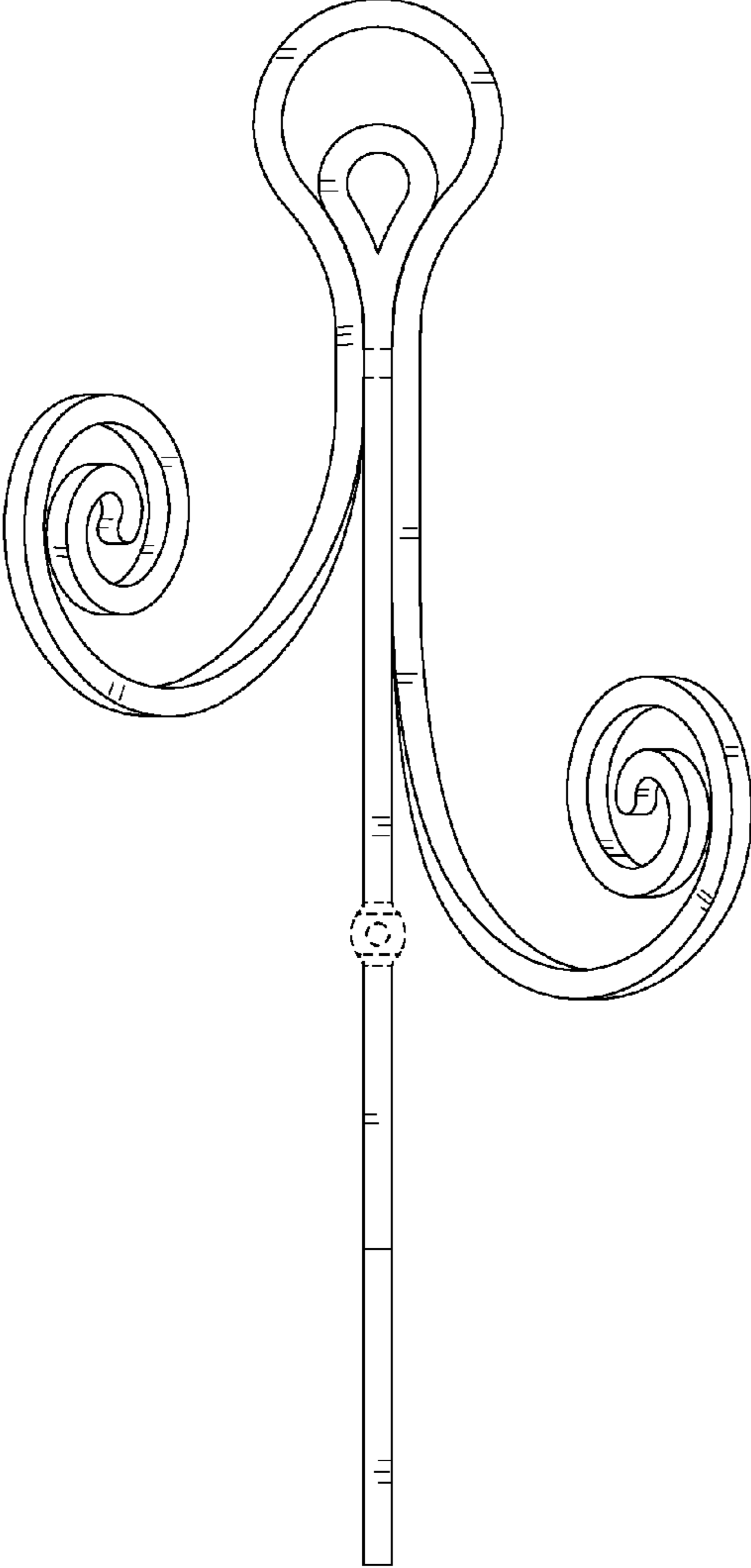


FIG 2

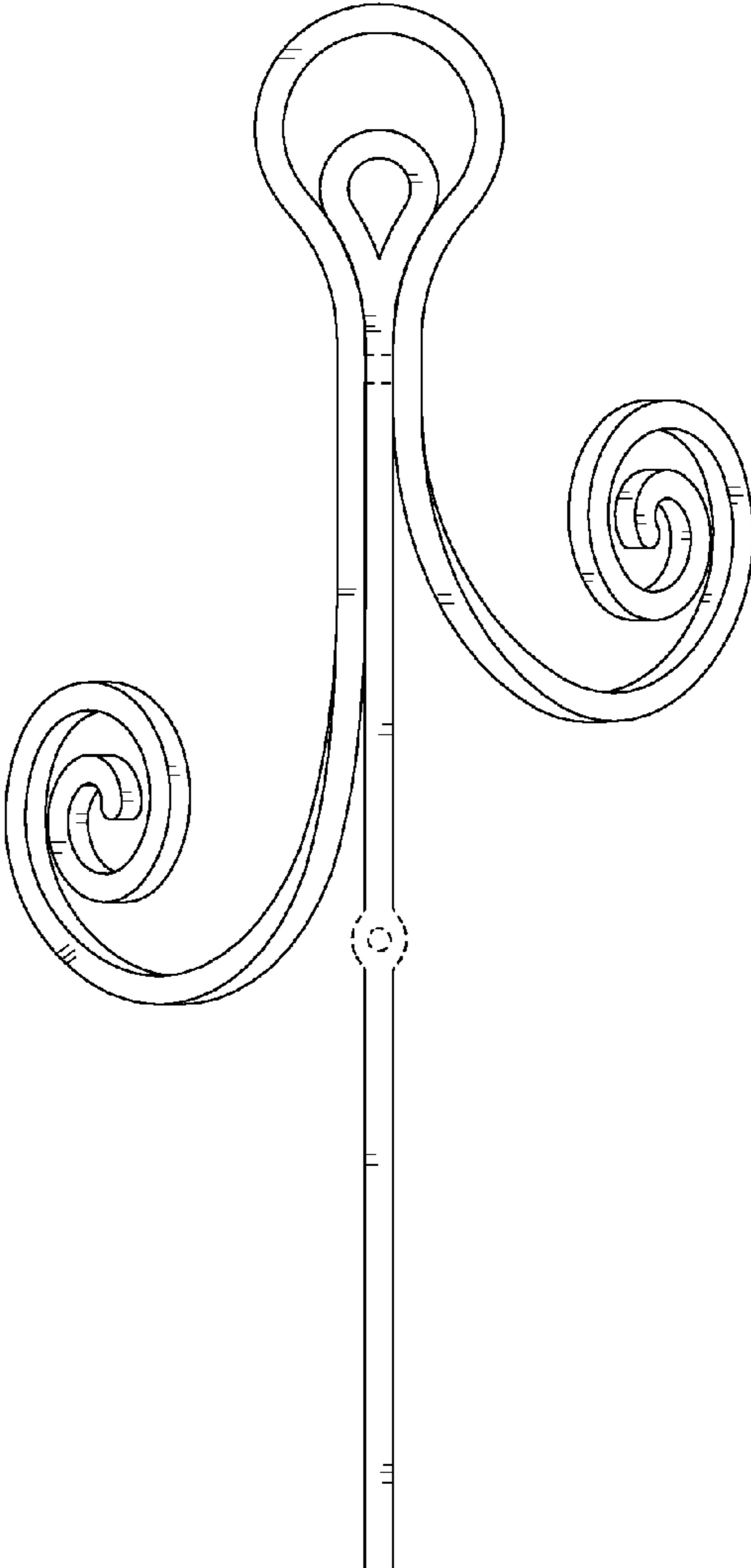


FIG 3

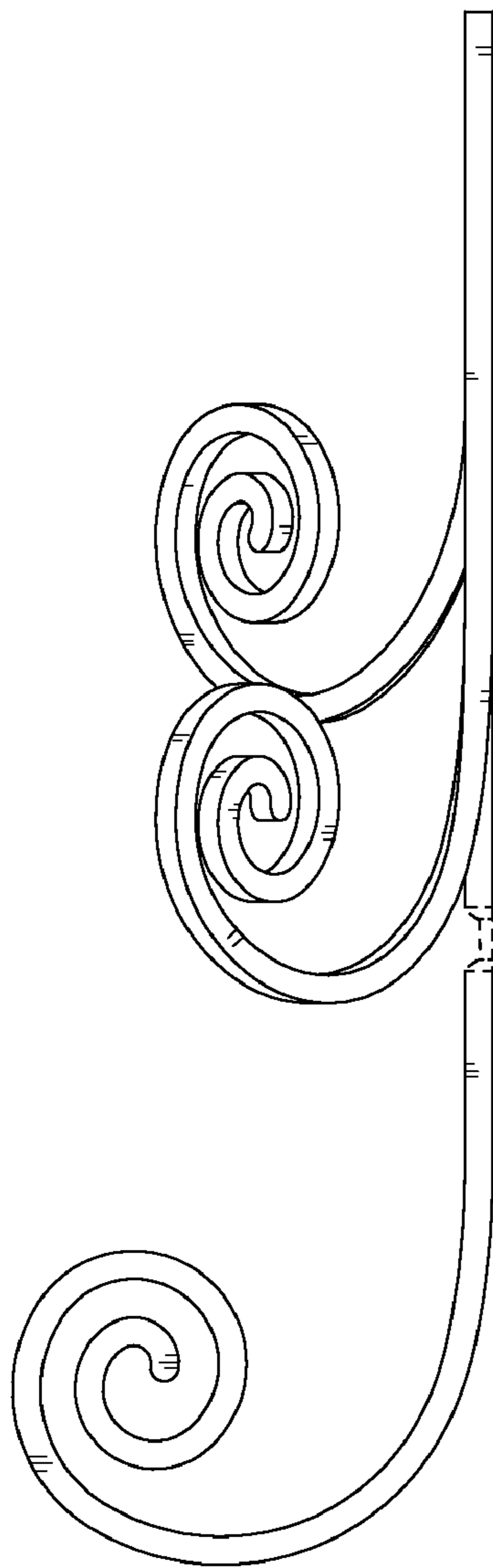


FIG 4

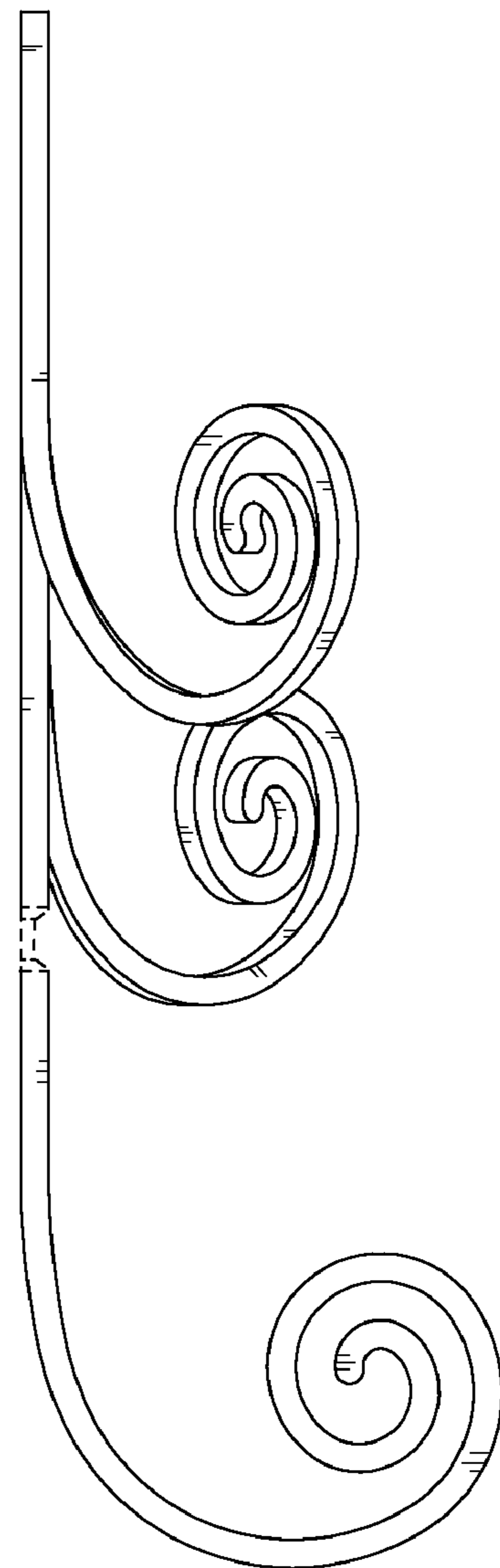


FIG 5

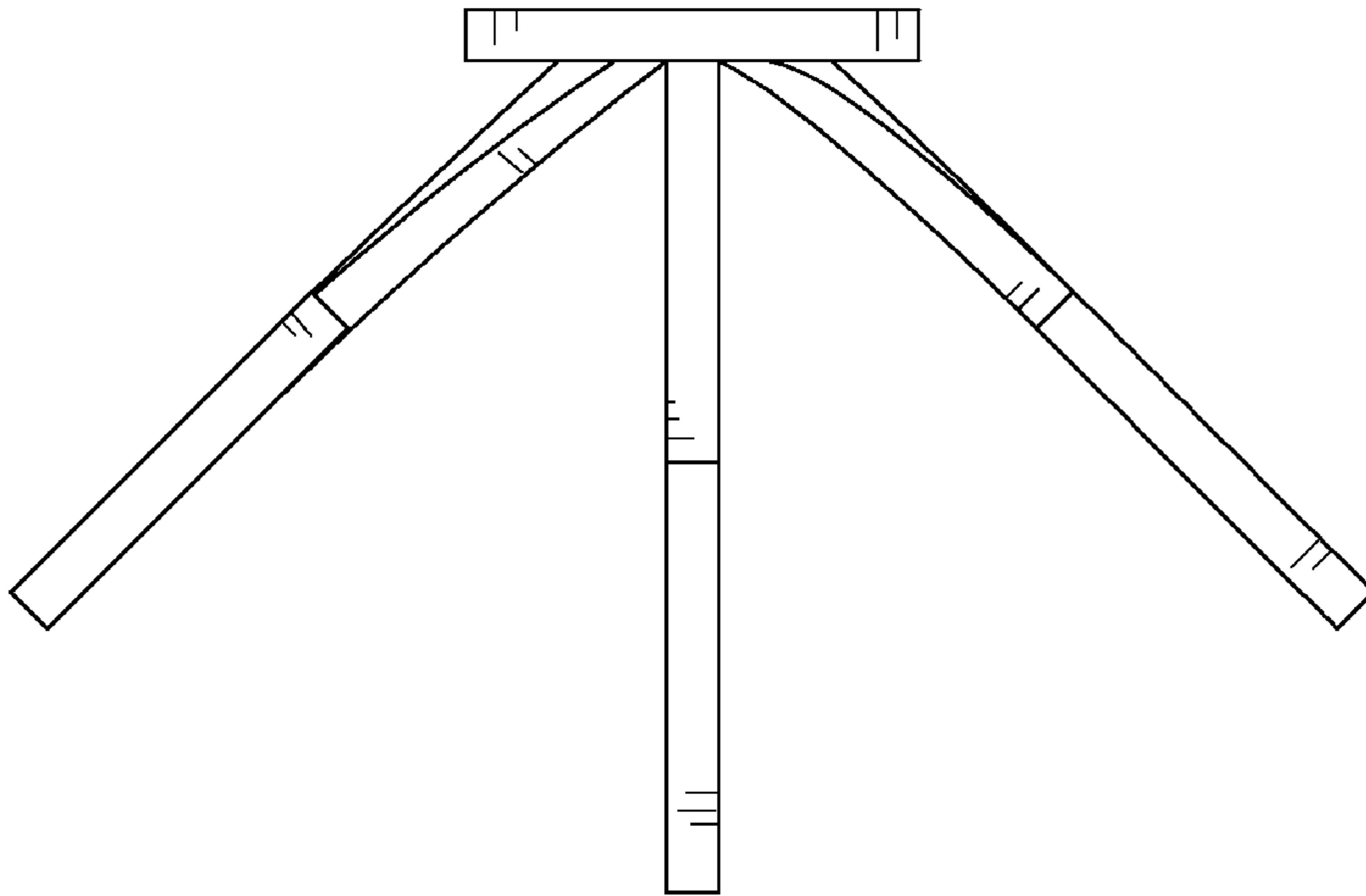


FIG 6

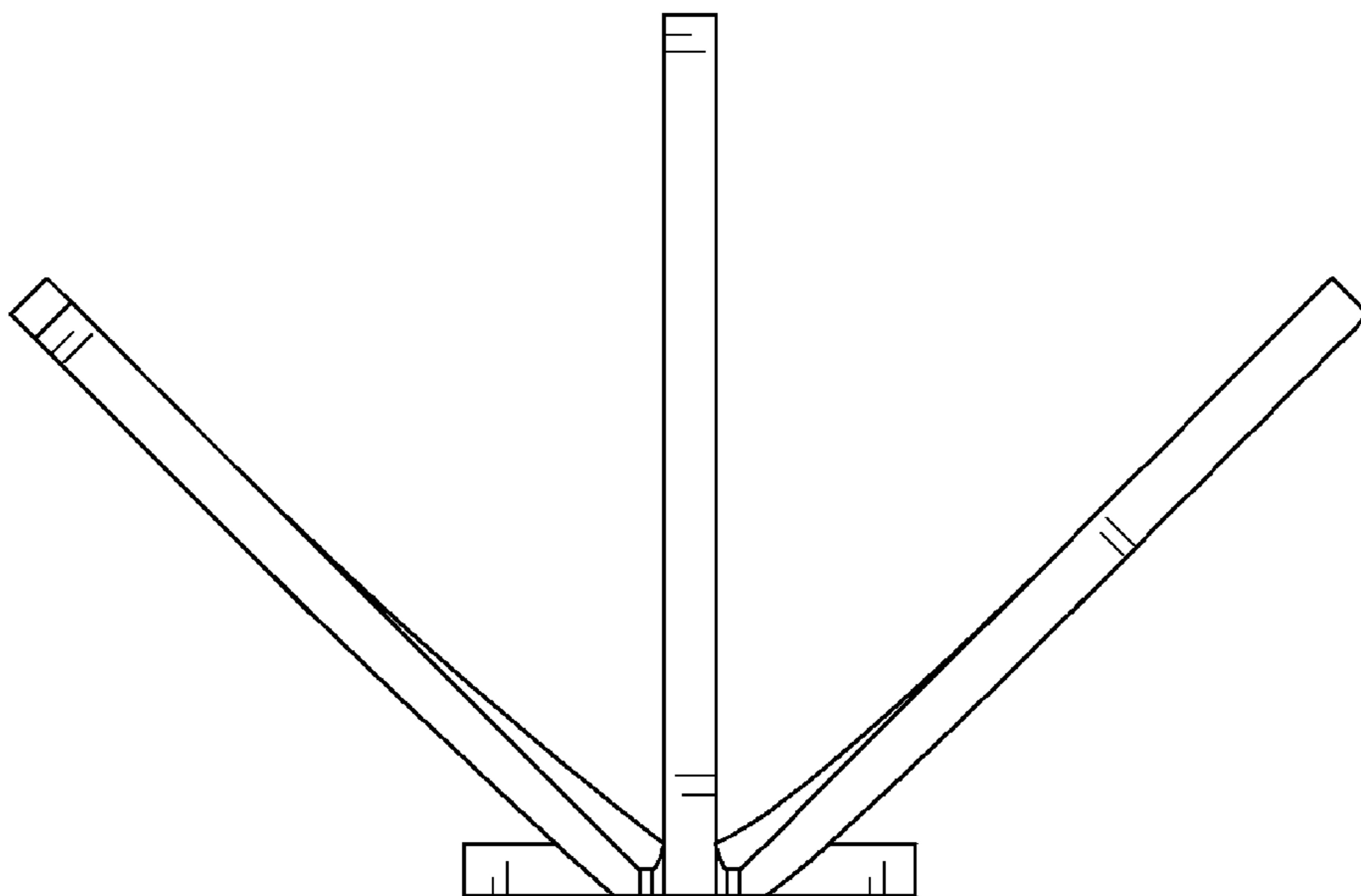


FIG 7