



US00D668134S

(12) **United States Design Patent**
Barkdoll et al.

(10) **Patent No.:** **US D668,134 S**

(45) **Date of Patent:** **** Oct. 2, 2012**

(54) **GRAVITY-FED RETAIL DISPLAY HOOK**

(75) Inventors: **Patrick J. Barkdoll**, Pecatonica, IL
(US); **Thomas E. Valiulis**, Rockford, IL
(US)

(73) Assignee: **Southern Imperial, Inc.**, Rockford, IL
(US)

(**) Term: **14 Years**

(21) Appl. No.: **29/393,362**

(22) Filed: **Jun. 3, 2011**

(51) **LOC (9) Cl.** **08-05**

(52) **U.S. Cl.** **D8/370; D8/372; D8/373**

(58) **Field of Classification Search** D8/363,
D8/370, 372, 373, 381; 211/57.1, 59.1, 85.31,
211/54.1; 241/245; 248/99, 220.31, 220.41,
248/220.43, 551, 221.11

See application file for complete search history.

(56) **References Cited**

U.S. PATENT DOCUMENTS

D249,460 S * 9/1978 Bleed D8/373
D249,461 S * 9/1978 Swinehart et al. D8/373

4,405,051 A * 9/1983 Thalenfeld 211/57.1
4,540,093 A * 9/1985 Merl et al. 211/59.1
4,805,861 A * 2/1989 Thalenfeld et al. 248/221.11
6,141,894 A * 11/2000 Thalenfeld et al. 40/642.01
D488,996 S * 4/2004 DeBiasio, Jr. D8/370
D556,031 S * 11/2007 Johnson D8/381
2005/0056745 A1 * 3/2005 Martins 248/220.31

* cited by examiner

Primary Examiner — Robert M Spear

Assistant Examiner — Rashida C McCoy

(74) *Attorney, Agent, or Firm* — Reinhart Boerner Van
Deuren P.C.

(57) **CLAIM**

We claim the ornamental design for the gravity-fed retail display hook, as shown and described.

DESCRIPTION

FIG. 1 is a perspective view of the gravity-fed retail display hook:

FIG. 2 is a top view thereof;

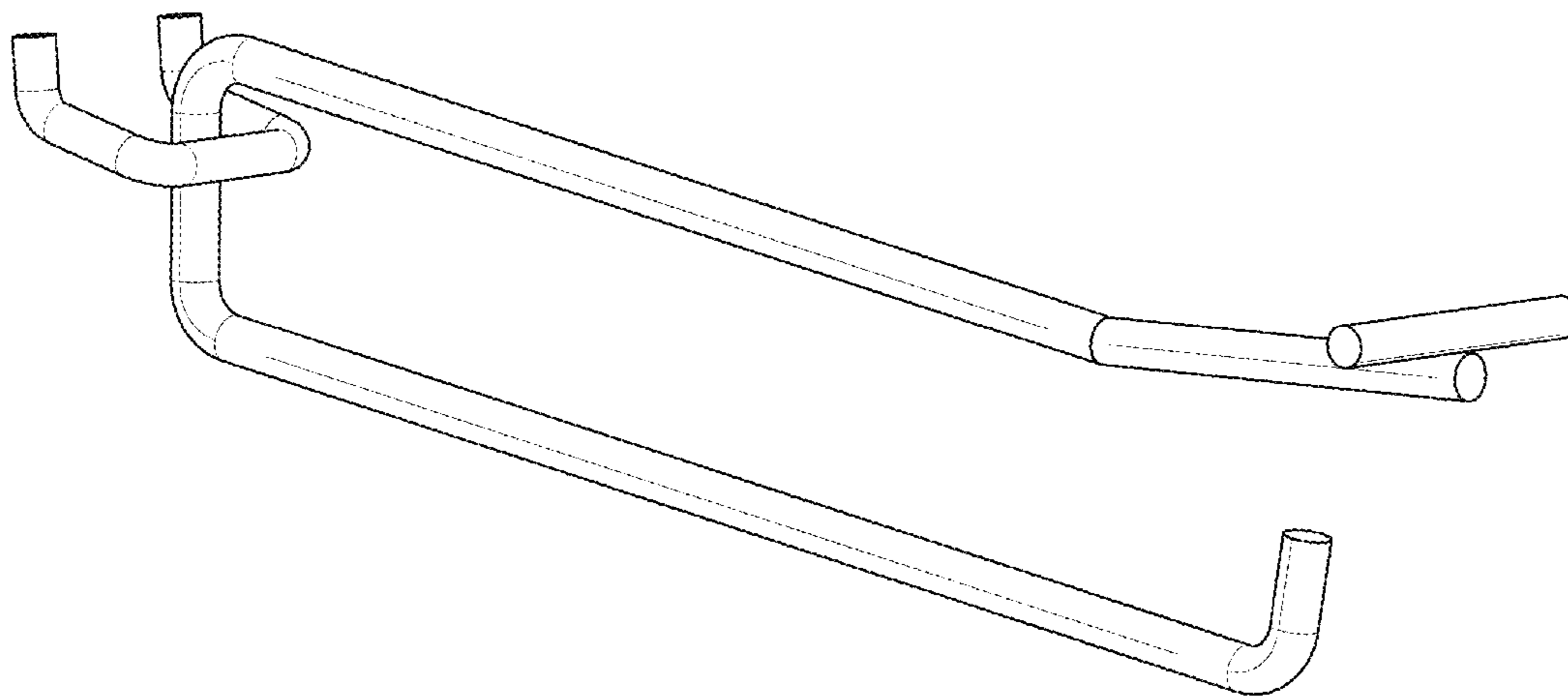
FIG. 3 is a side view thereof;

FIG. 4 is a bottom view thereof;

FIG. 5 is a back view thereof; and,

FIG. 6 is a front view thereof.

1 Claim, 3 Drawing Sheets



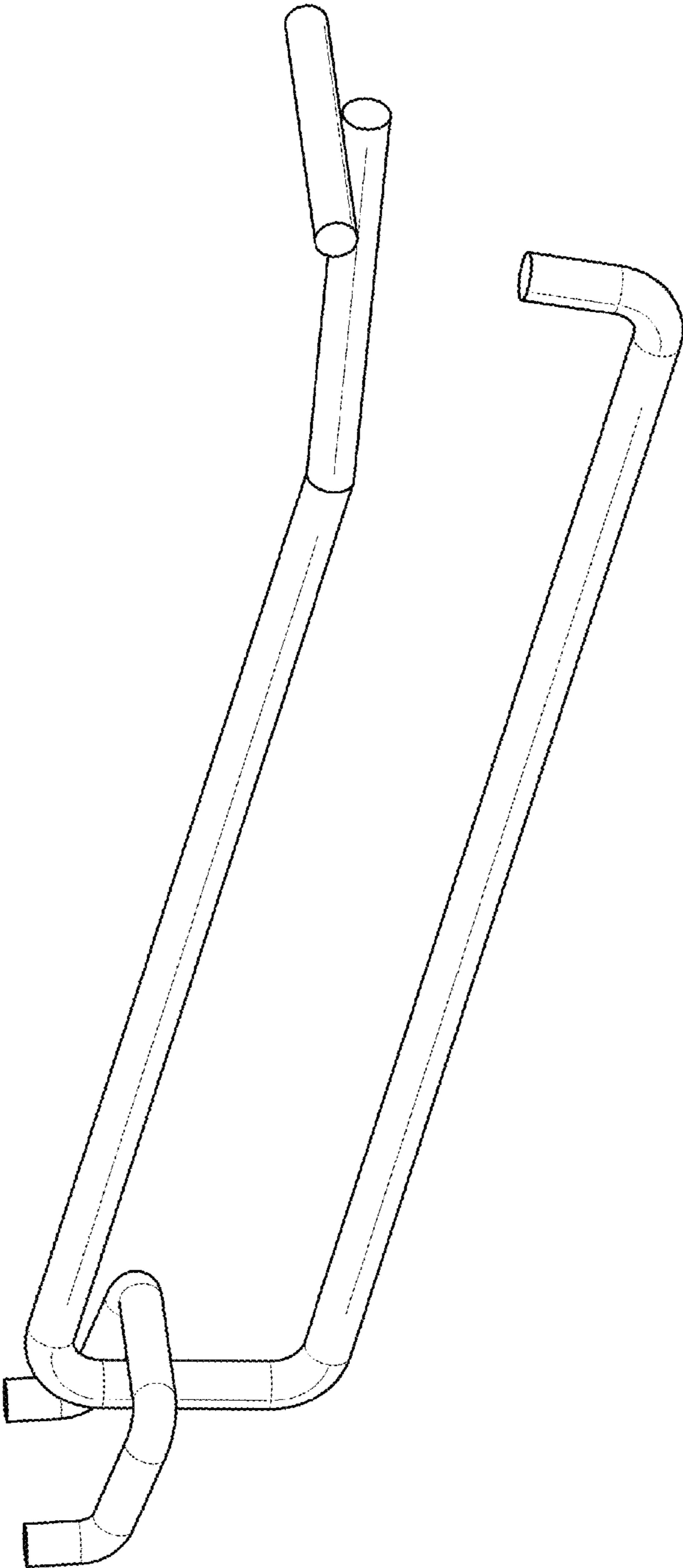


FIG. 1

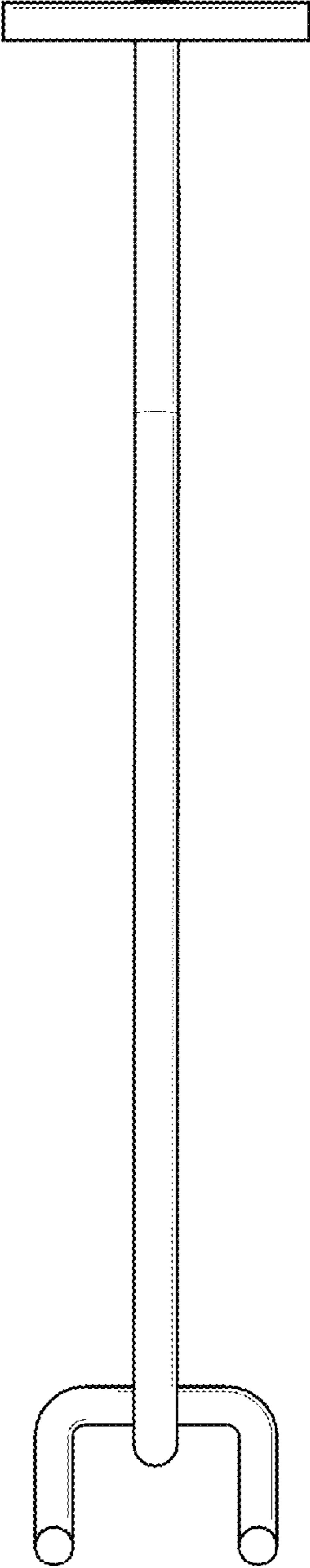


FIG. 2

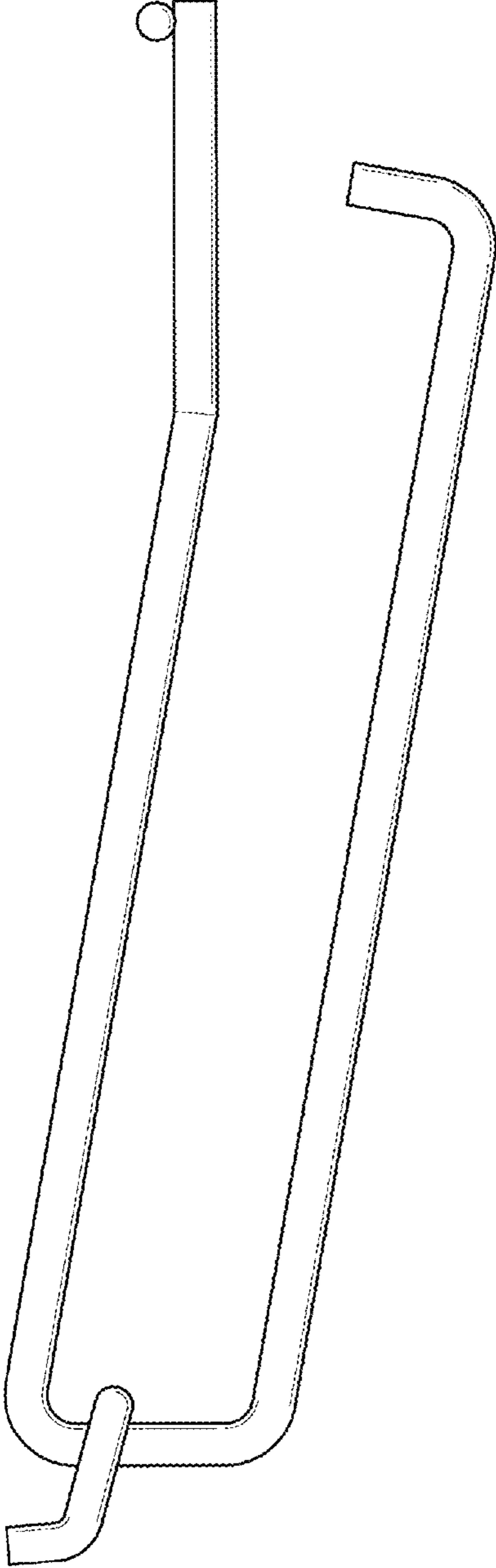


FIG. 3

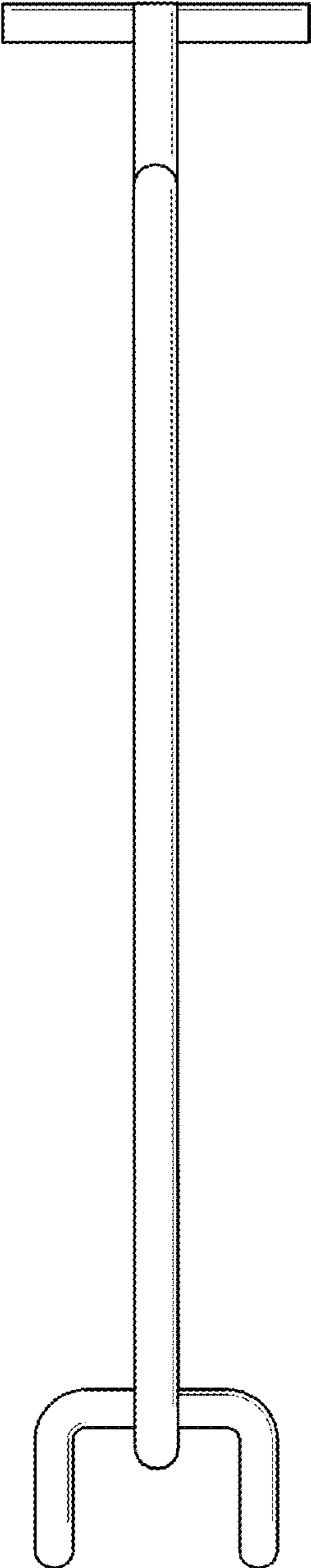


FIG. 4

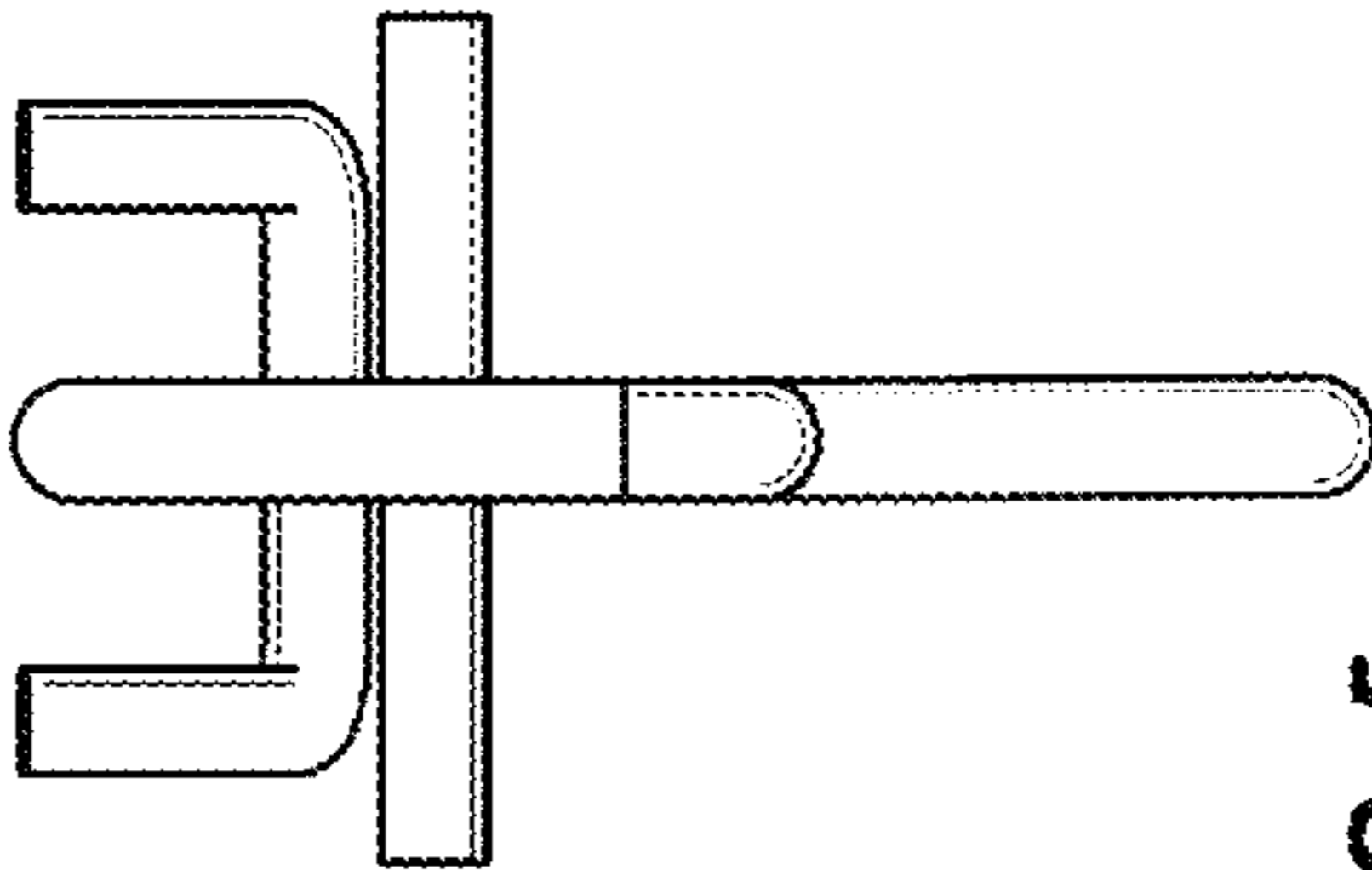


FIG. 5

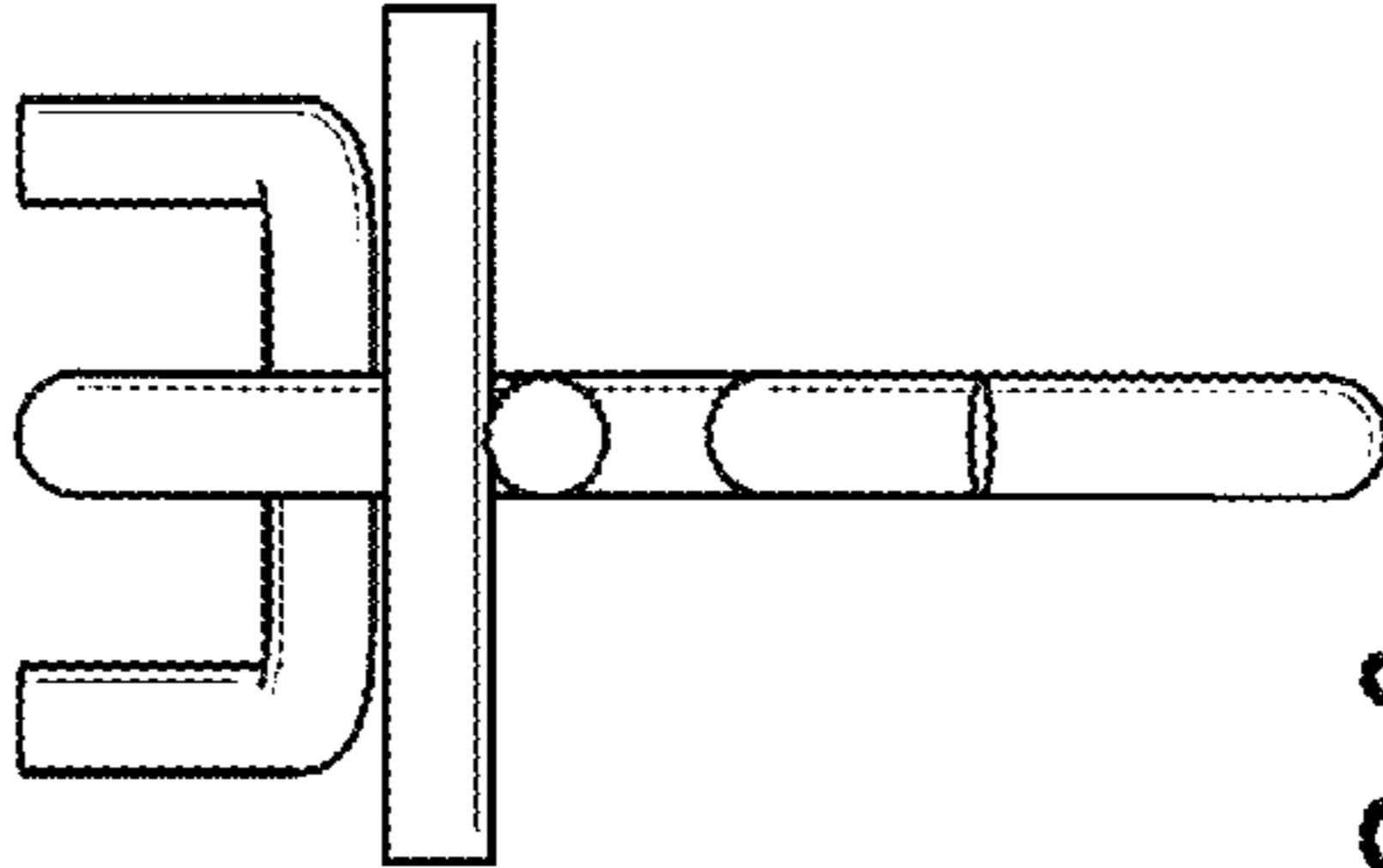


FIG. 6