

US00D668133S

(12) **United States Design Patent**
Kyle

(10) **Patent No.:** **US D668,133 S**

(45) **Date of Patent:** **** Oct. 2, 2012**

(54) **CABLE REEL**

(76) Inventor: **James Kyle**, Patterson, LA (US)

(**) Term: **14 Years**

(21) Appl. No.: **29/374,314**

(22) Filed: **Jul. 29, 2011**

(51) **LOC (9) Cl.** **08-05**

(52) **U.S. Cl.** **D8/358**

(58) **Field of Classification Search** D8/356,
D8/358, 359; D23/261; D12/204, 207, 501;
D22/140; 242/118, 118.1, 118.61, 405.2,
242/407, 605, 606, 608.4, 609.1; 127/360

See application file for complete search history.

(56) **References Cited**

U.S. PATENT DOCUMENTS

- D598,733 S * 8/2009 Taatjes et al. D8/358
- D606,845 S * 12/2009 Taatjes et al. D8/358
- D623,927 S * 9/2010 Gu et al. D8/358

- D625,172 S * 10/2010 Pauwels D8/358
- D636,253 S * 4/2011 Hatcher et al. D8/356
- D654,780 S * 2/2012 Aiko D8/358

* cited by examiner

Primary Examiner — Susan Bennett Hattan

Assistant Examiner — Barbara B Lohr

(57) **CLAIM**

The ornamental design for a cable reel, as shown.

DESCRIPTION

FIG. 1 is a side elevational view thereof, wherein both left and right side are identical;

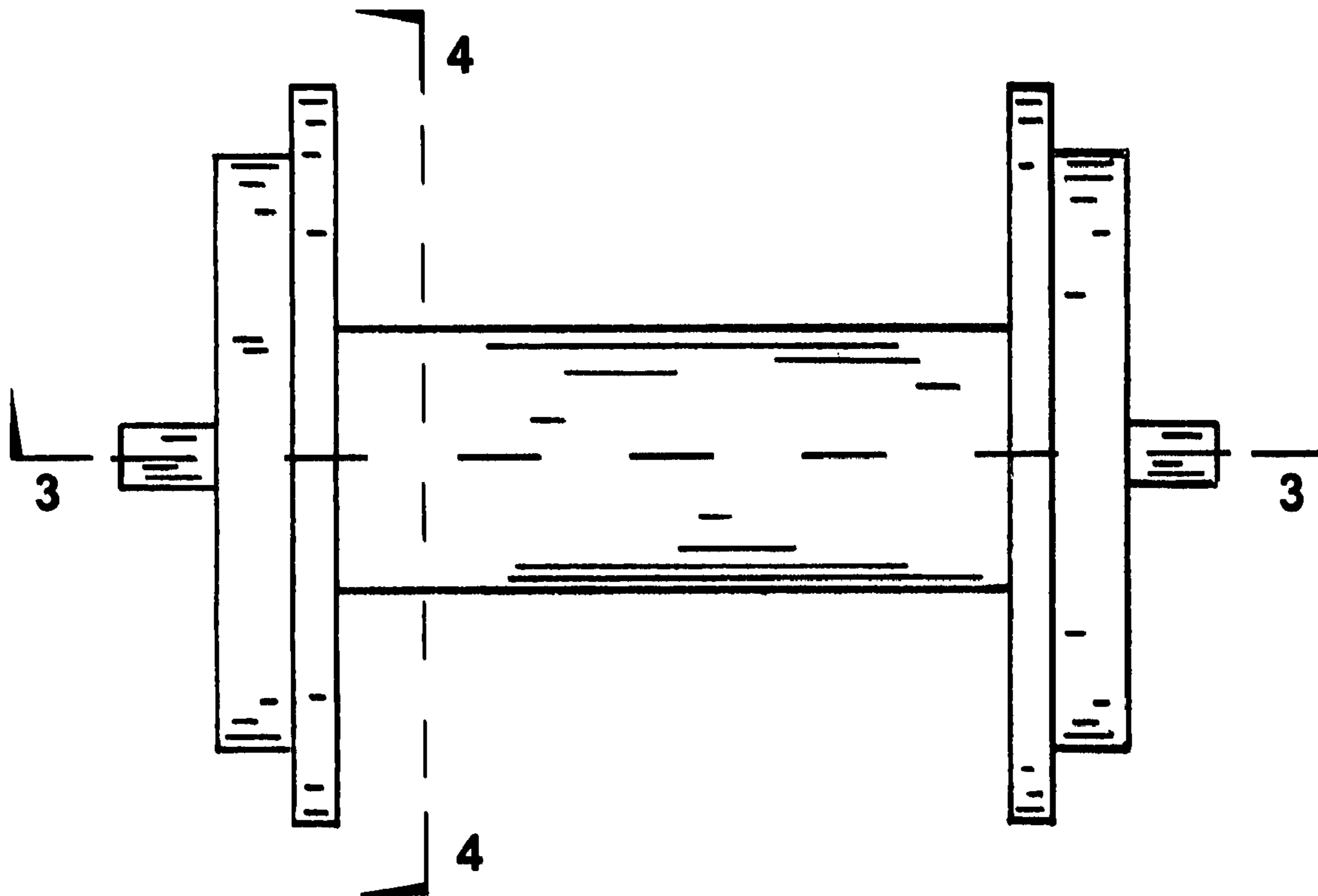
FIG. 2 is a end plan view wherein the left and right end views are identical;

FIG. 3 is a cross section taken from FIG. 1 thereof; and,

FIG. 4 is a second cross section taken from FIG. 1 thereof.

The Cable Reel design is utilized for wire line work in the oil field. It improves the stress points and allows for a stronger more efficient design.

1 Claim, 3 Drawing Sheets



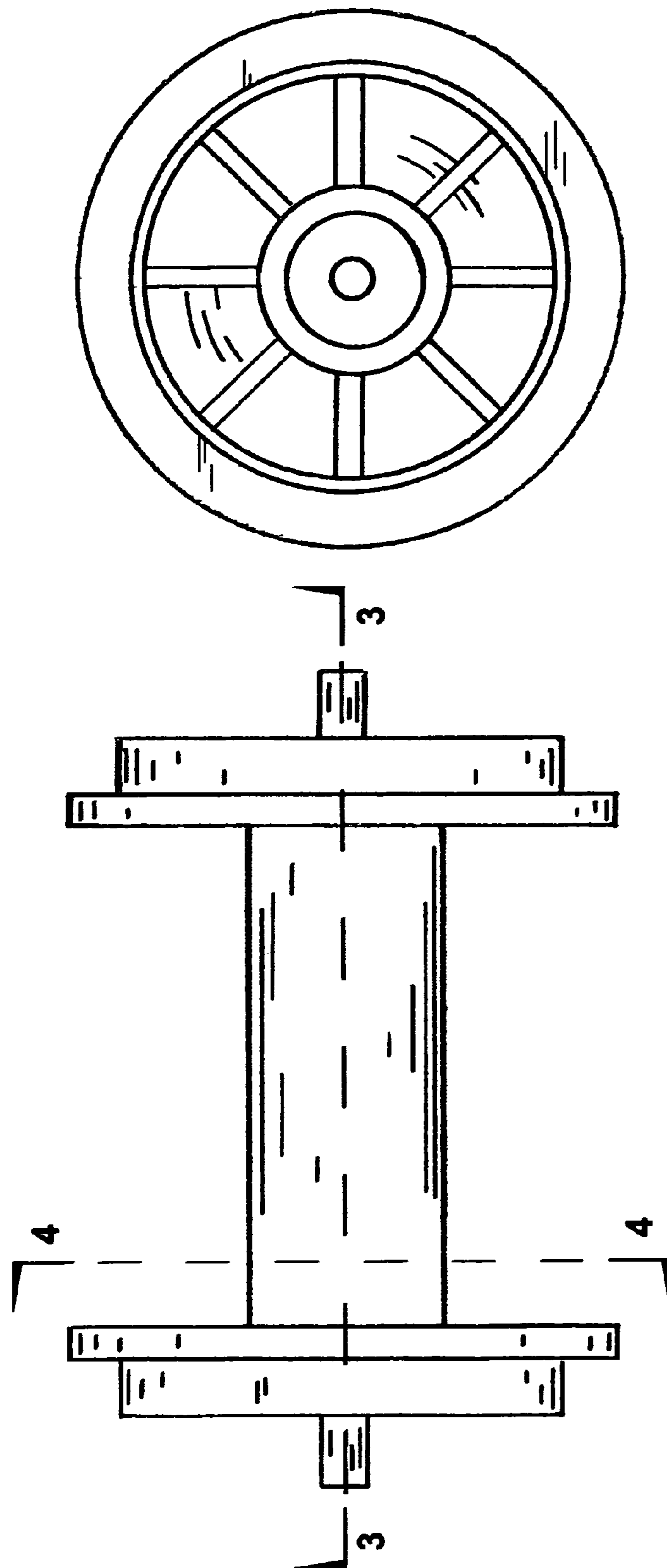


FIG. 2

FIG. 1

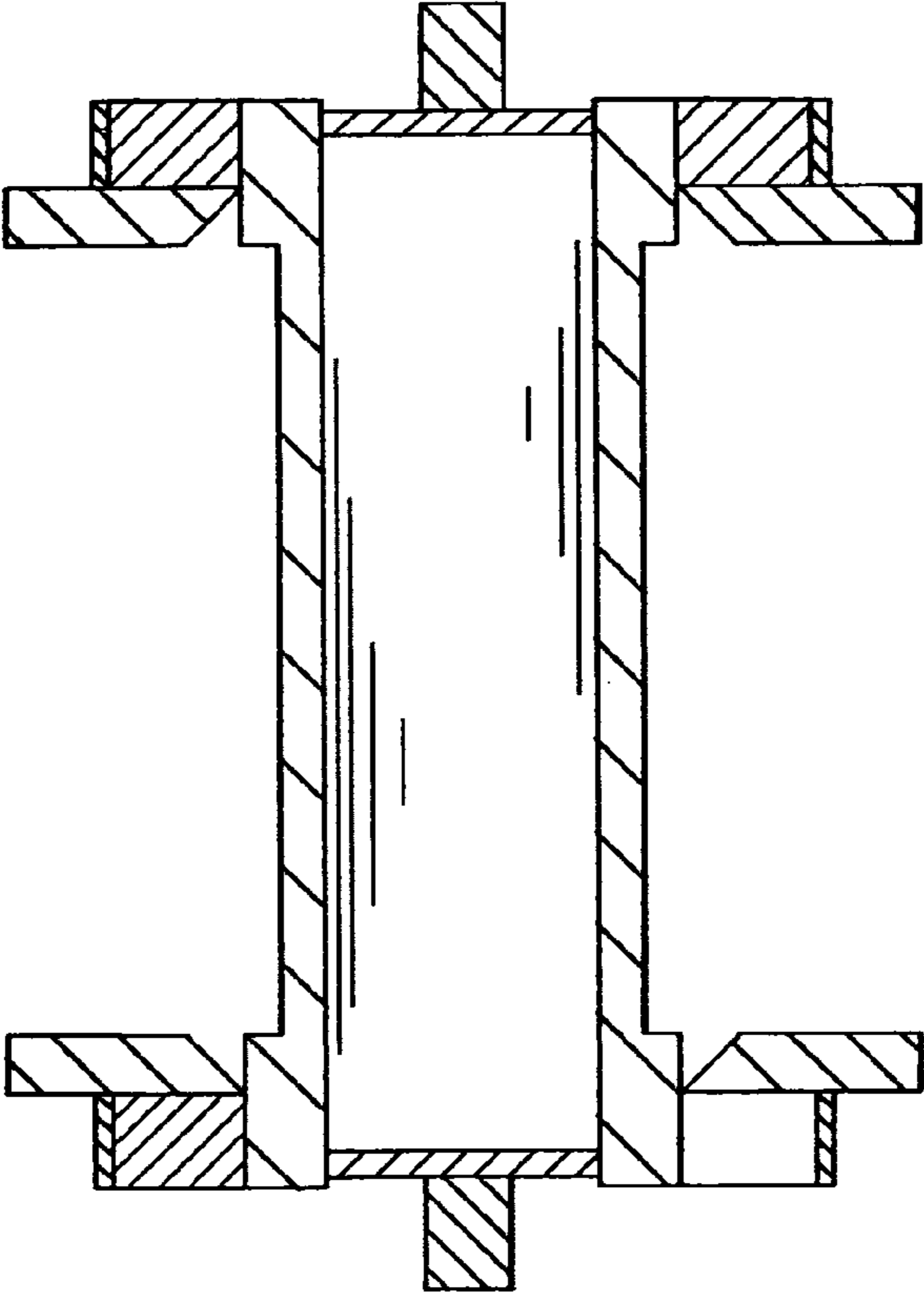


FIG. 3

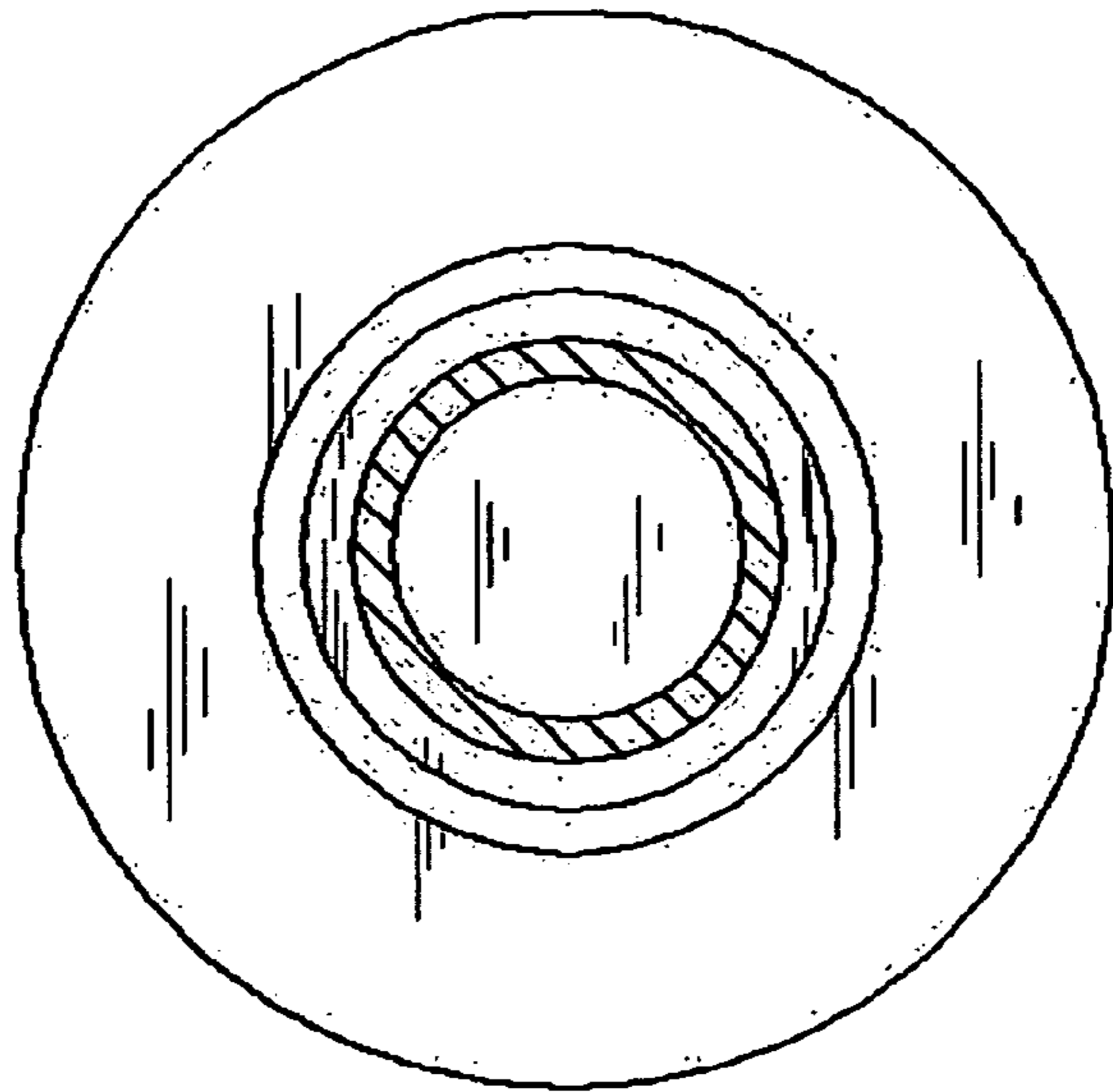


FIG. 4