



US00D668129S

(12) **United States Design Patent**  
**Livacich et al.**

(10) **Patent No.:** **US D668,129 S**  
(45) **Date of Patent:** **\*\* Oct. 2, 2012**

(54) **ROTARY TOOL SAFETY BOX AND END  
PIECE**

**DESCRIPTION**

(76) Inventors: **John Livacich**, Sunnyvale, CA (US);  
**Kendyl A. Roman**, Sunnyvale, CA (US)

(\*\*) Term: **14 Years**

(21) Appl. No.: **29/348,777**

(22) Filed: **Feb. 10, 2010**

(51) **LOC (9) Cl.** ..... **08-05**

(52) **U.S. Cl.** ..... **D8/354; D8/71**

(58) **Field of Classification Search** ..... D8/71,  
D8/354, 394, 396, 499; 83/471  
See application file for complete search history.

(56) **References Cited**

**U.S. PATENT DOCUMENTS**

D296,546 S *	7/1988	Sachs	.....	D13/149
D385,484 S *	10/1997	Zito	.....	D8/396
D421,564 S *	3/2000	Fortune	.....	D8/394
D486,791 S *	2/2004	Franks, Jr.	.....	D13/133
D547,637 S *	7/2007	Blacker	.....	D8/354
D590,697 S *	4/2009	Townley	.....	D8/354
D614,477 S *	4/2010	Edwards	.....	D8/354
2009/0223338 A1 *	9/2009	Liao	.....	83/471
2011/0192264 A1 *	8/2011	Livacich et al.	.....	83/471

\* cited by examiner

*Primary Examiner* — Mark Goodwin

(57) **CLAIM**

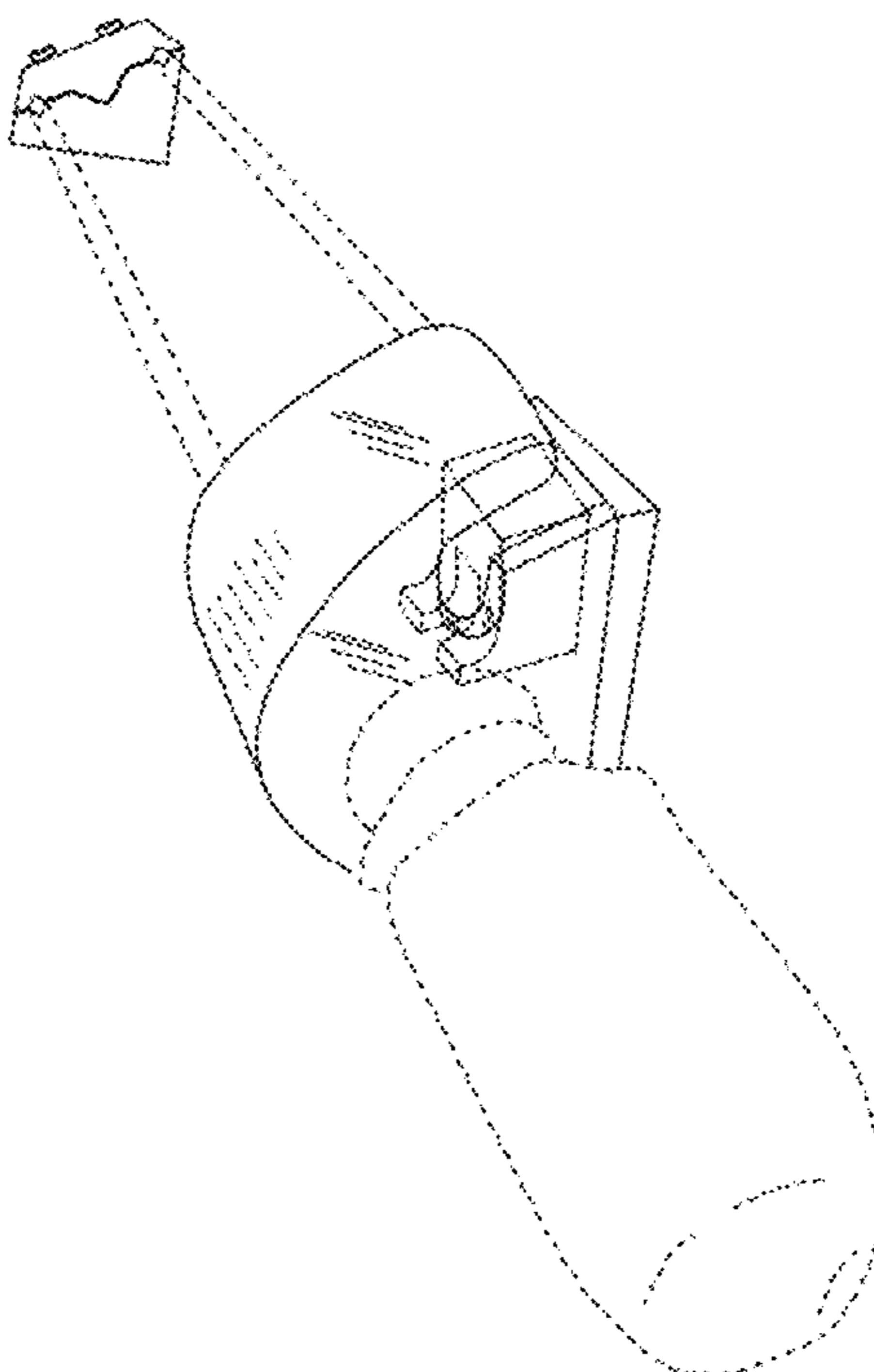
We claim the ornamental design for a rotary tool safety box and end piece, as shown and described.

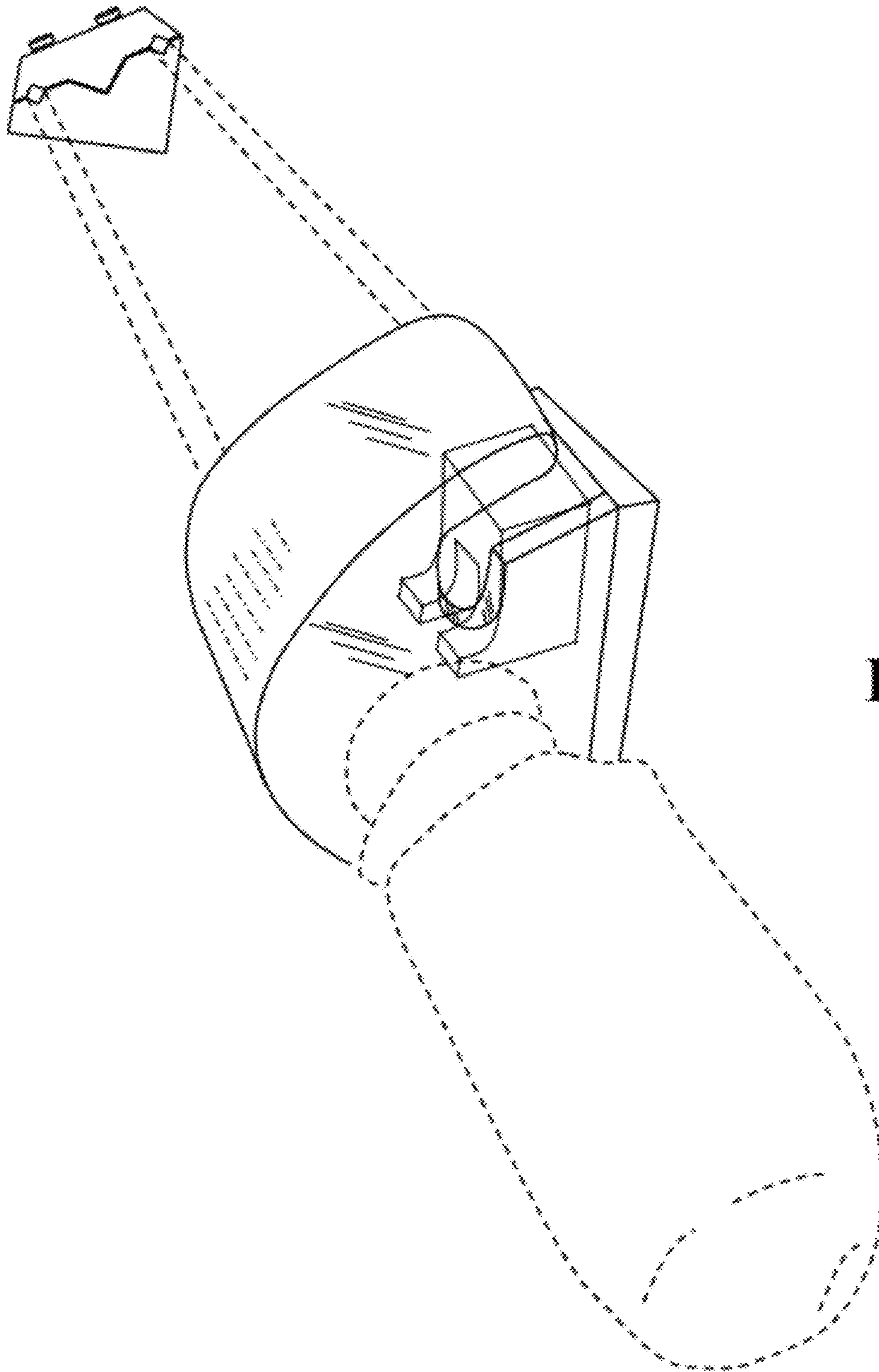
FIG. 1 is a perspective view of a rotary tool safety box and end piece showing our new design;  
 FIG. 2 is a perspective view of the rotary tool safety box, shown in two pieces;  
 FIG. 3 is a front view thereof, shown in two pieces;  
 FIG. 4 is a back view thereof, shown in two pieces;  
 FIG. 5 is a right view thereof, shown in two pieces;  
 FIG. 6 is a left view thereof, shown in two pieces;  
 FIG. 7 is a top view thereof, shown in two pieces;  
 FIG. 8 is a bottom view thereof, shown in two pieces;  
 FIG. 9 is a perspective view of the end piece, shown in two pieces;  
 FIG. 10 is a front view thereof, shown in two pieces;  
 FIG. 11 is a back view thereof, shown in two pieces;  
 FIG. 12 is a right view thereof, shown in two pieces;  
 FIG. 13 is a left view thereof, shown in two pieces;  
 FIG. 14 is a top view thereof, shown in two pieces; and,  
 FIG. 15 is a bottom view thereof, shown in two pieces.

The broken line showing in FIG. 1 is included for the purpose of illustrating environmental structure only and forms no part of the claimed design.

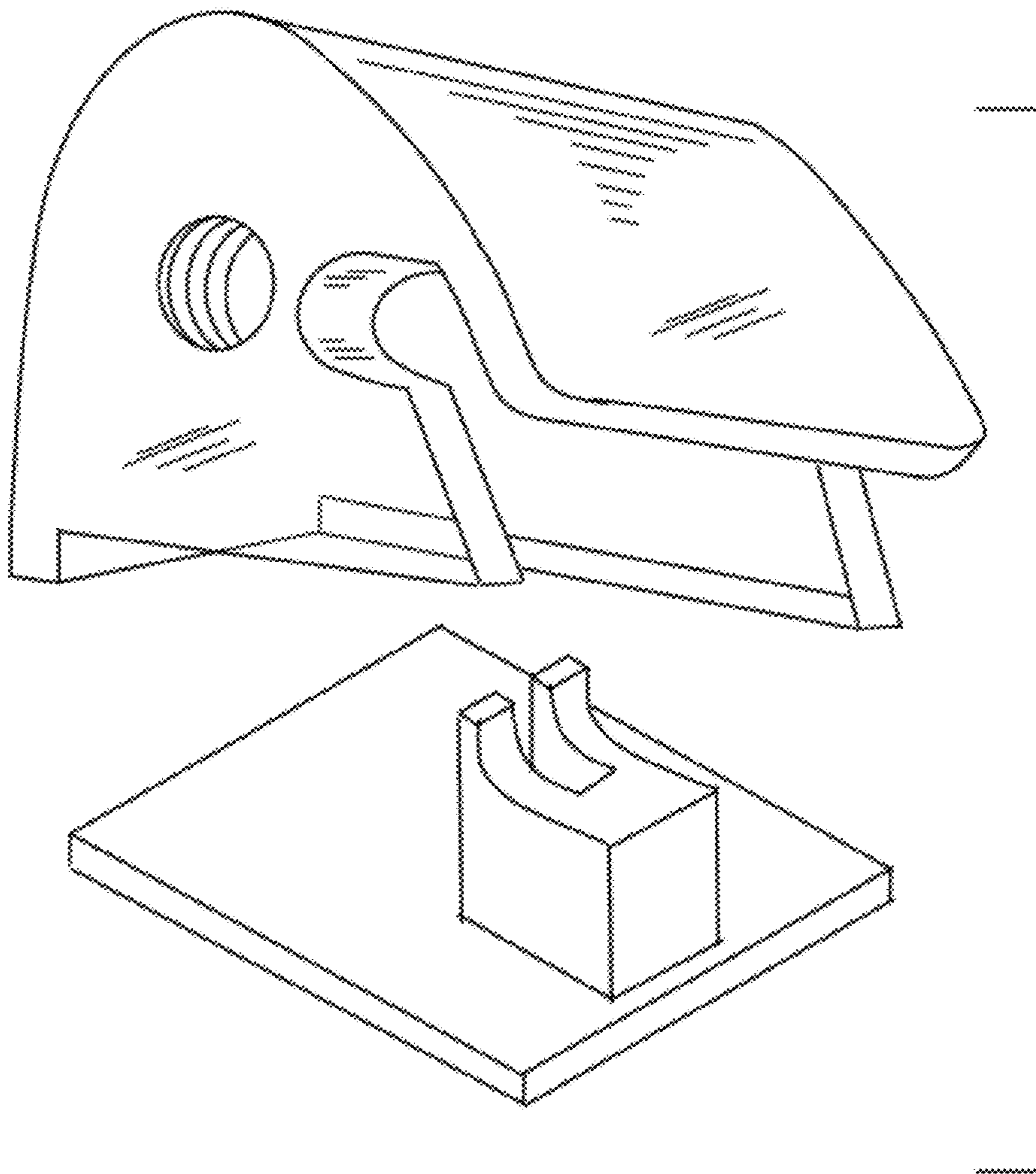
Our rotary tool safety box and end piece is characterized by:  
 a) a safety box with generally rounded top forming a transparent shield and a flat bottom and two sides, a left side adapted to mate with a rotary tool, b) a cutting table formed in the bottom of the safety box, c) access cutouts on the two sides, d) an optional end piece (FIGS. 9-15), comprising an end piece bottom and an end piece top, which may be held together with bolts to clamp extension shafts, said extension shafts optionally attached to the safety box.

**1 Claim, 11 Drawing Sheets**

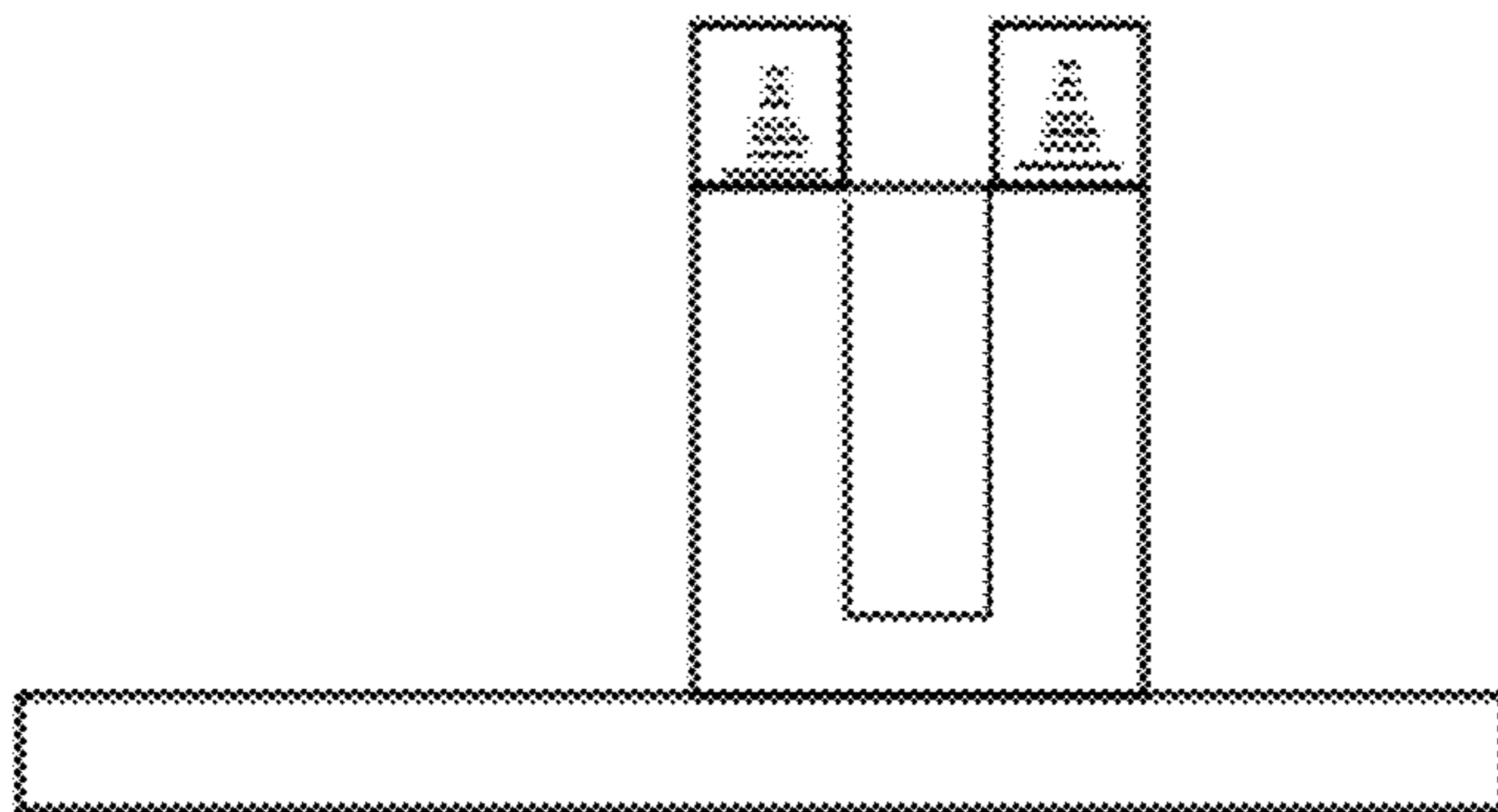
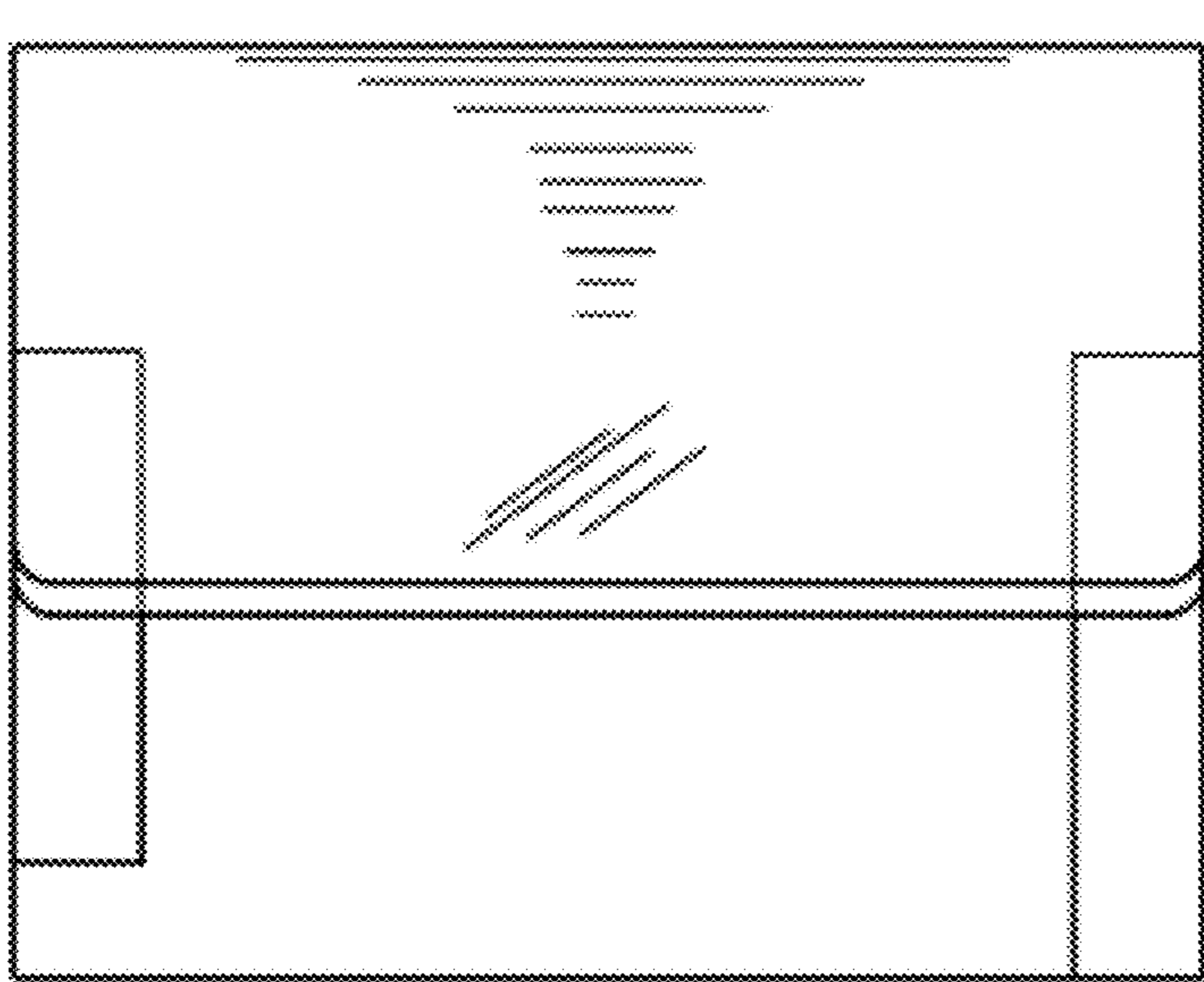




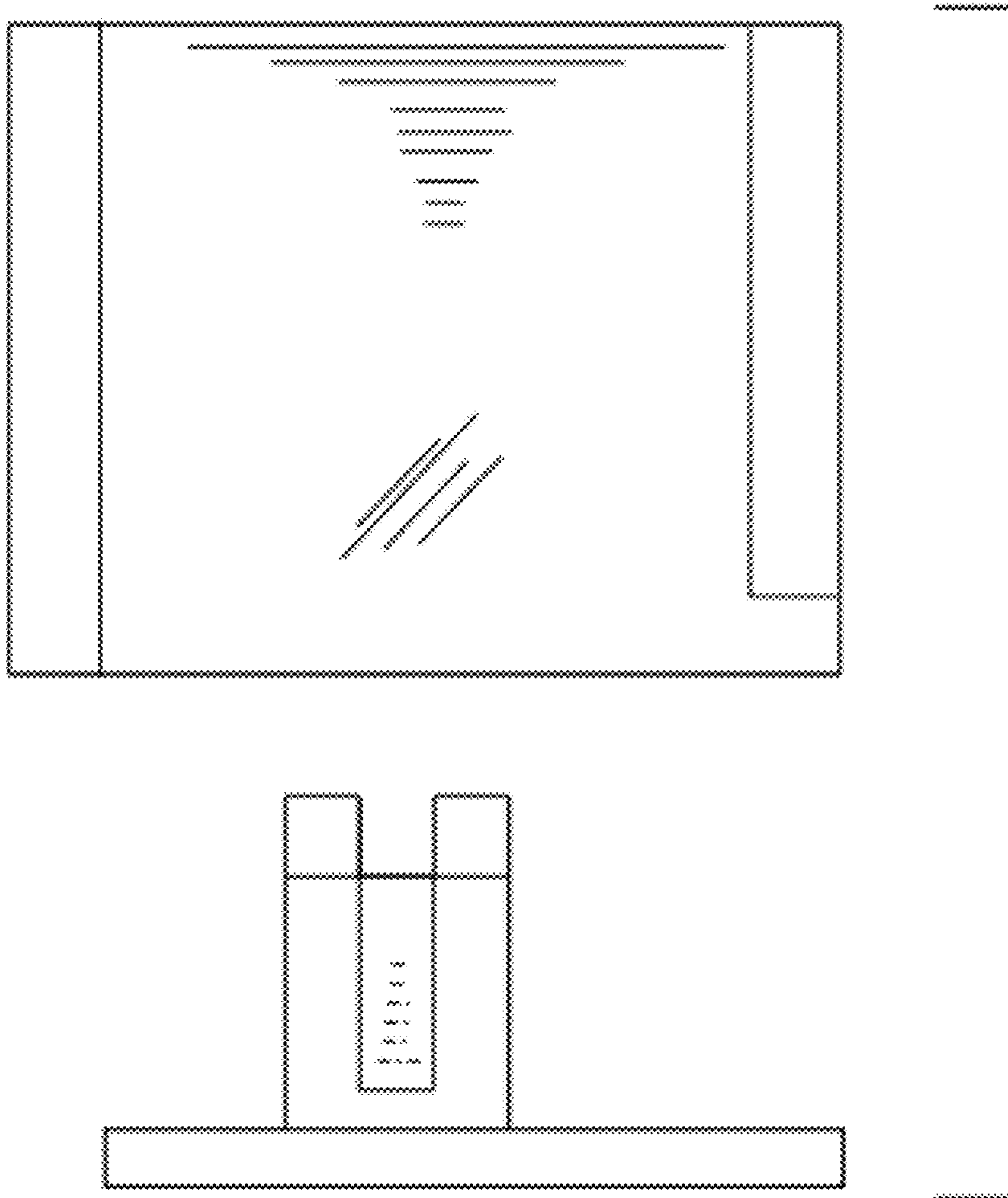
**Fig. 1**



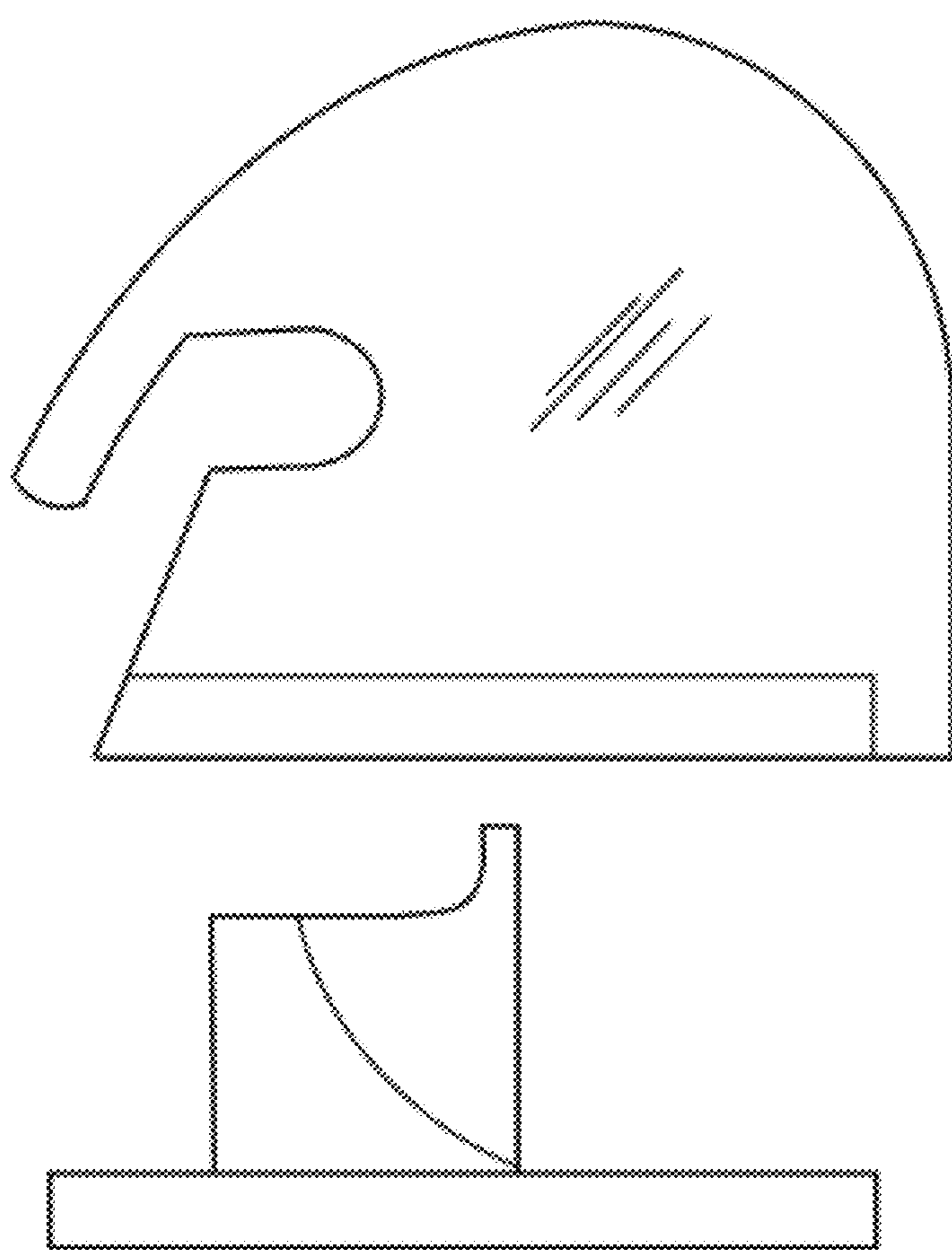
**Fig. 2**



**Fig. 3**

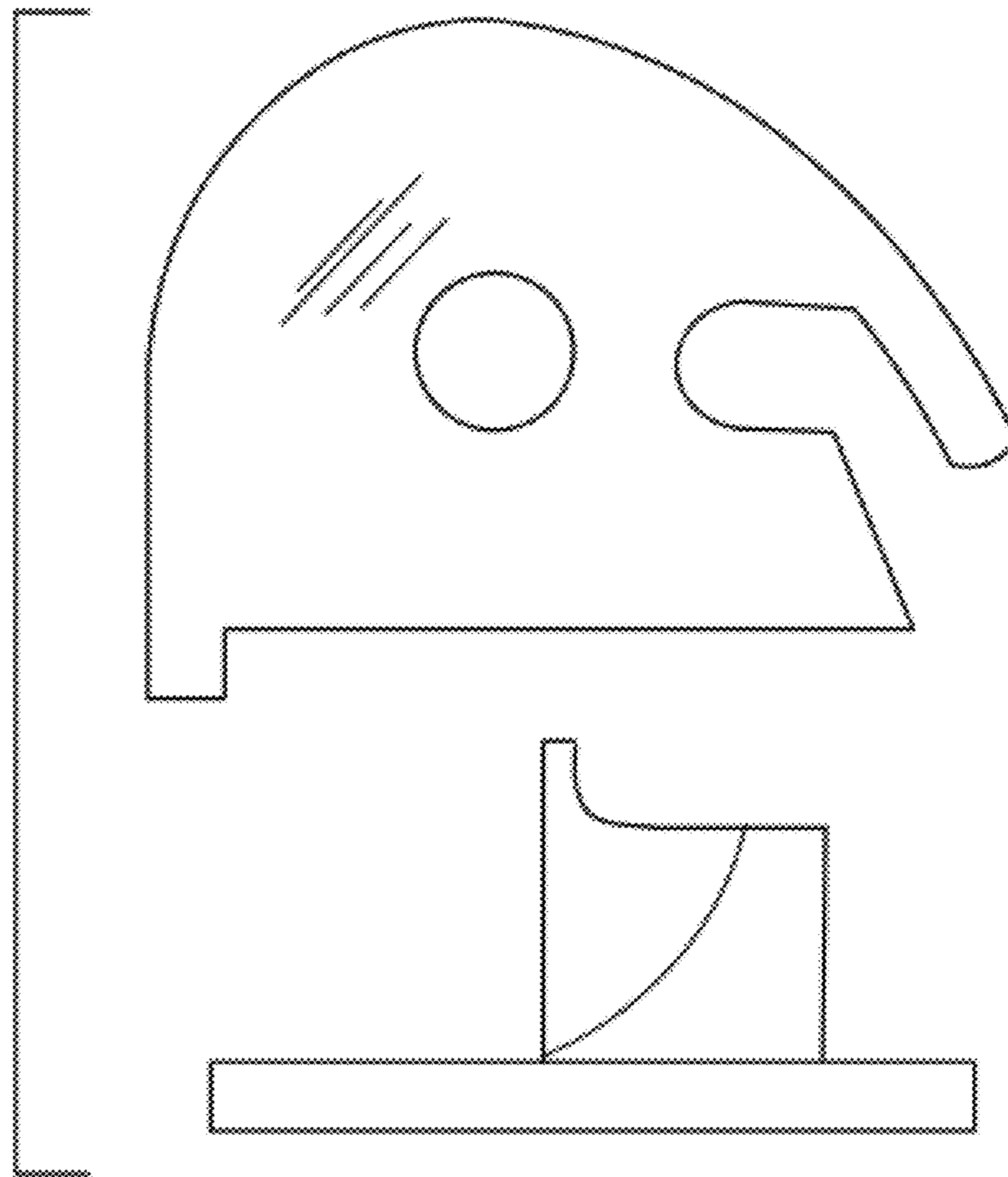


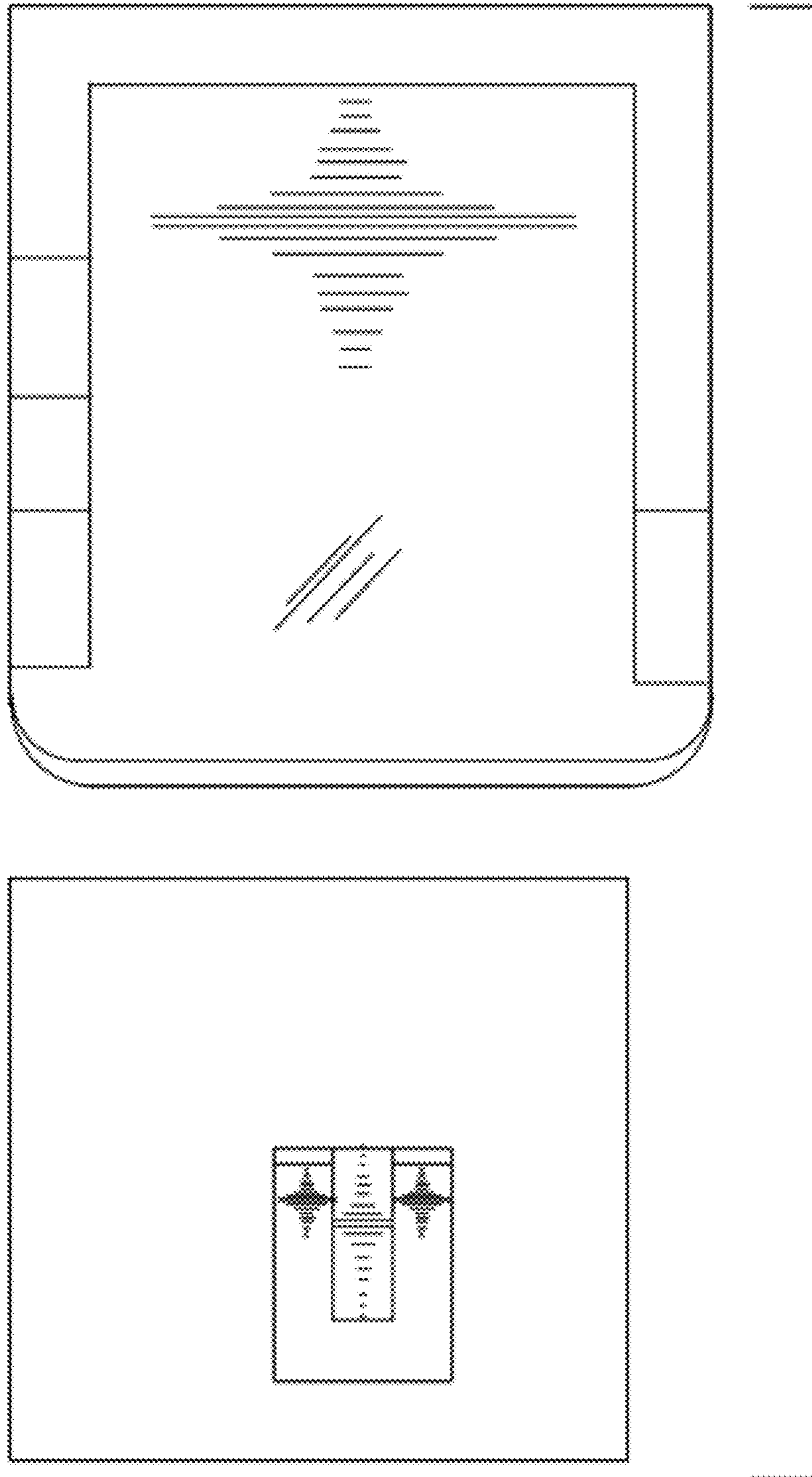
**Fig. 4**



**Fig. 5**

**Fig. 6**

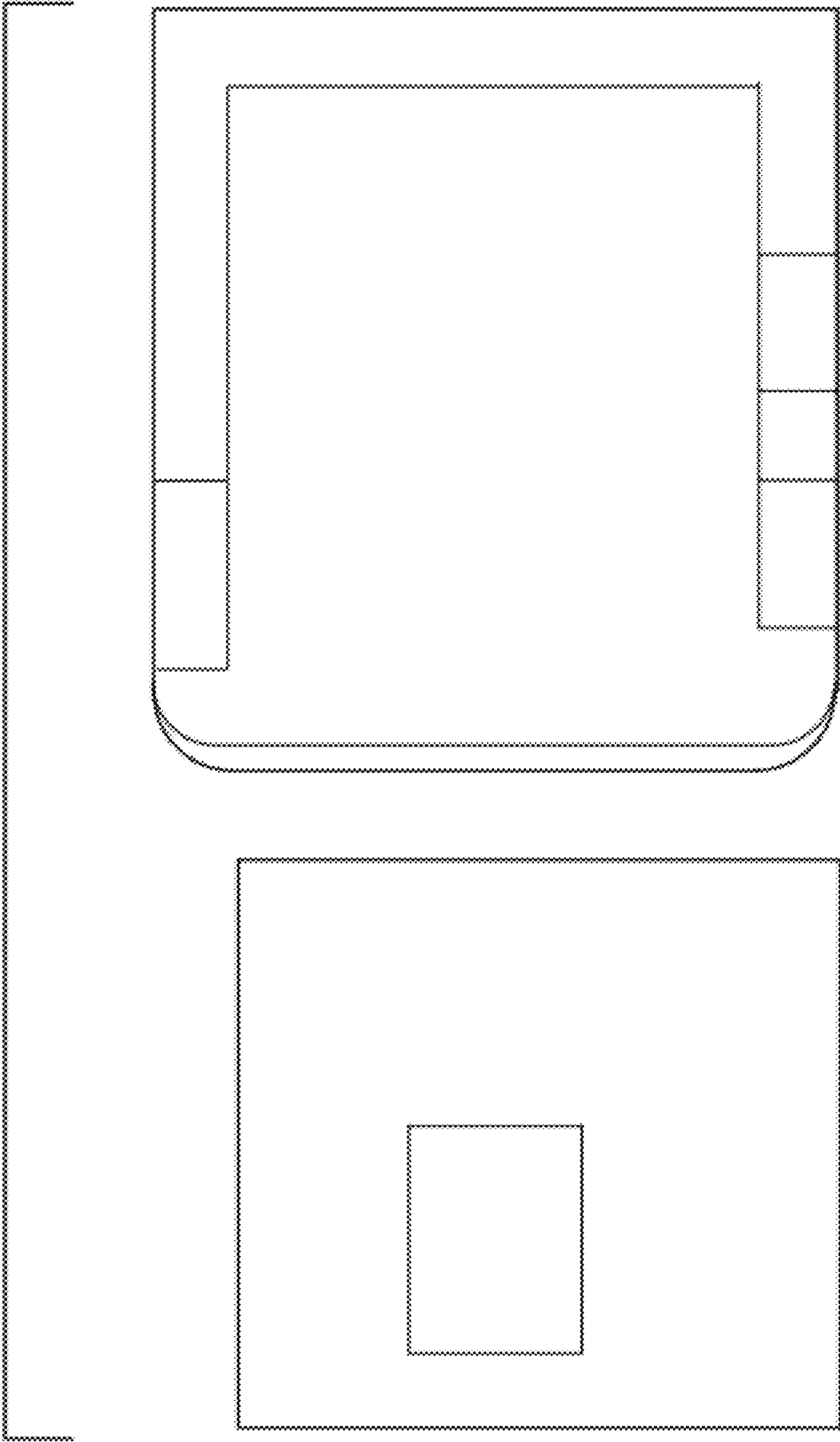


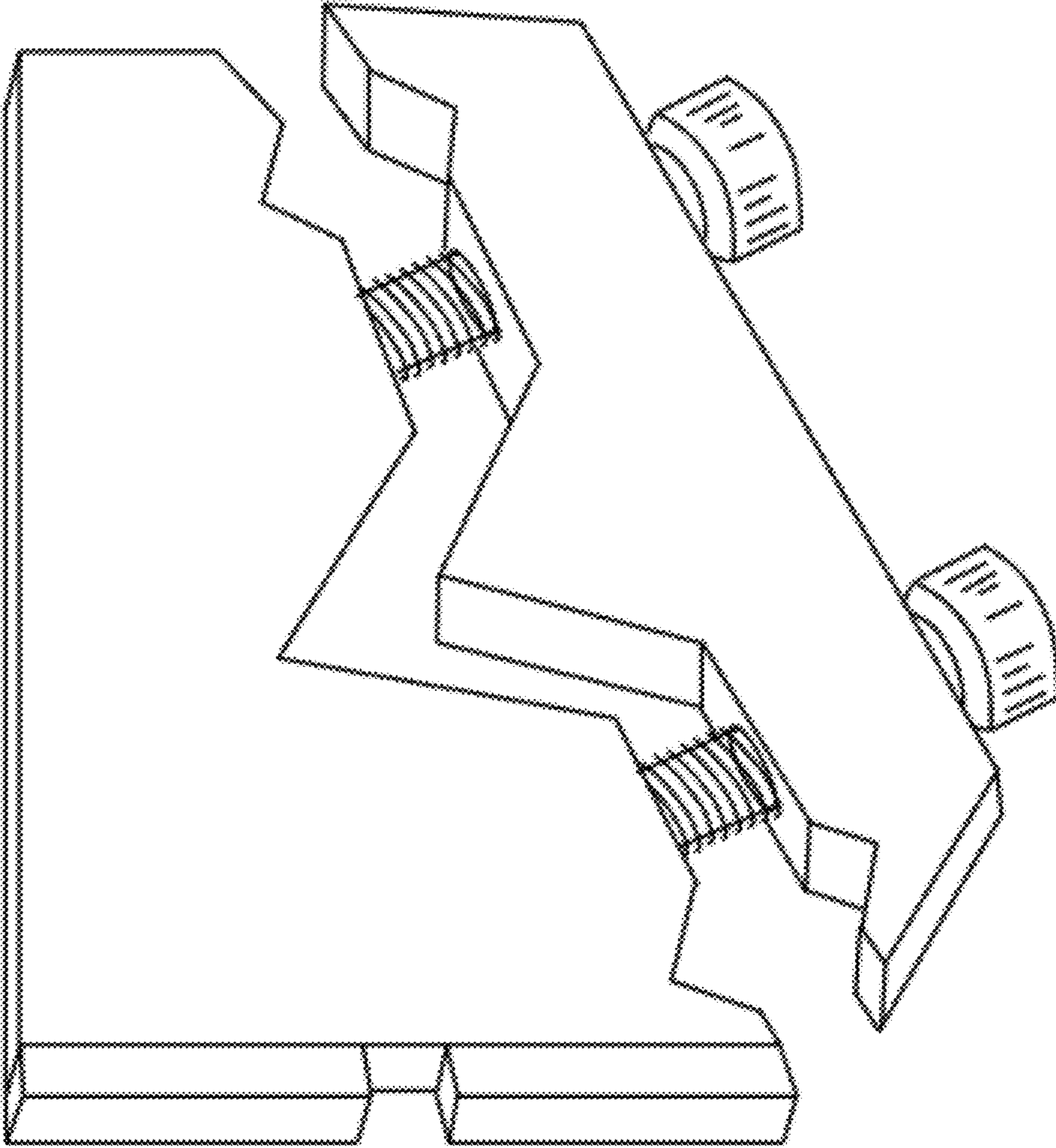


**Fig. 7**

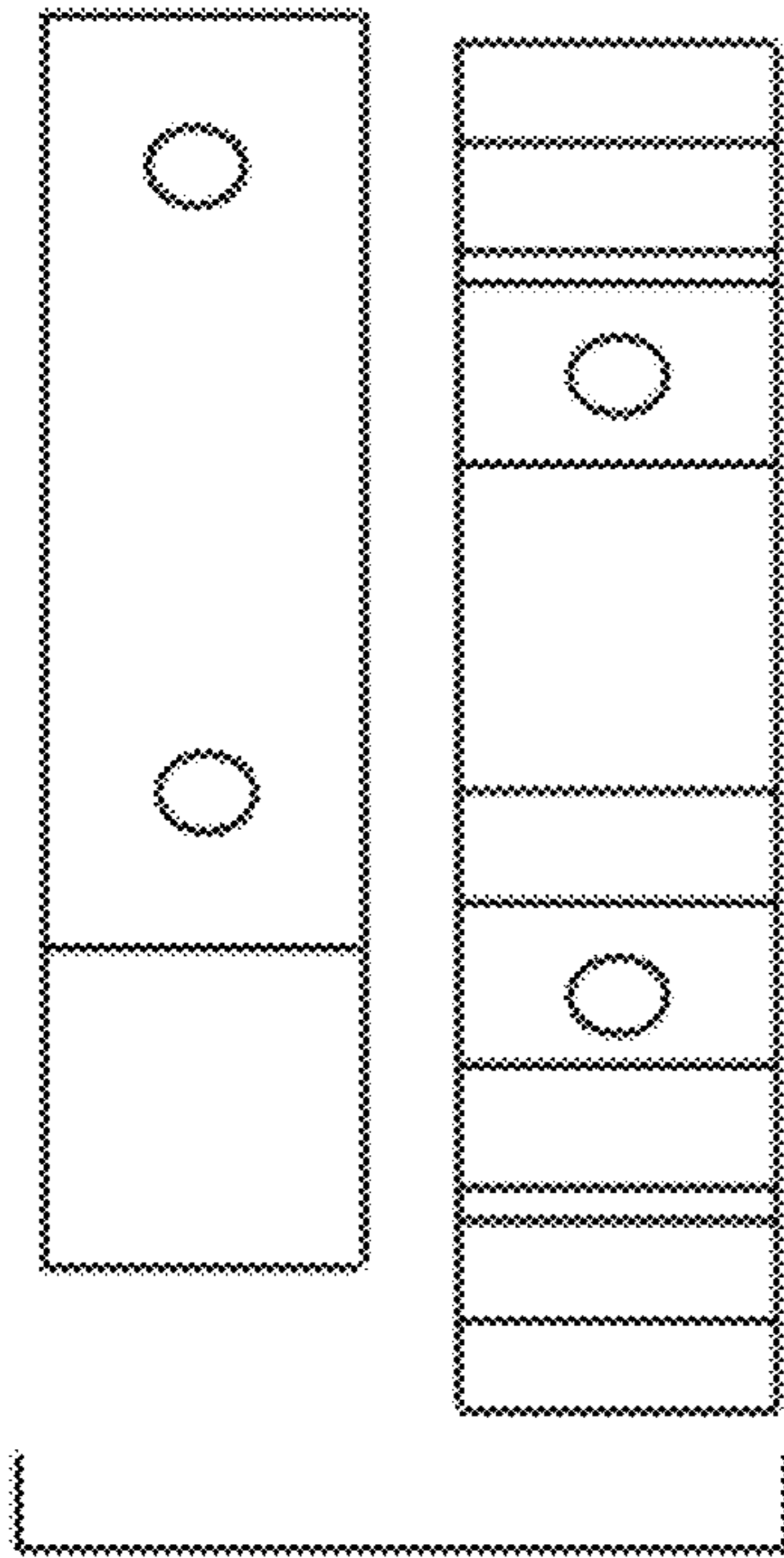


**Fig. 8**

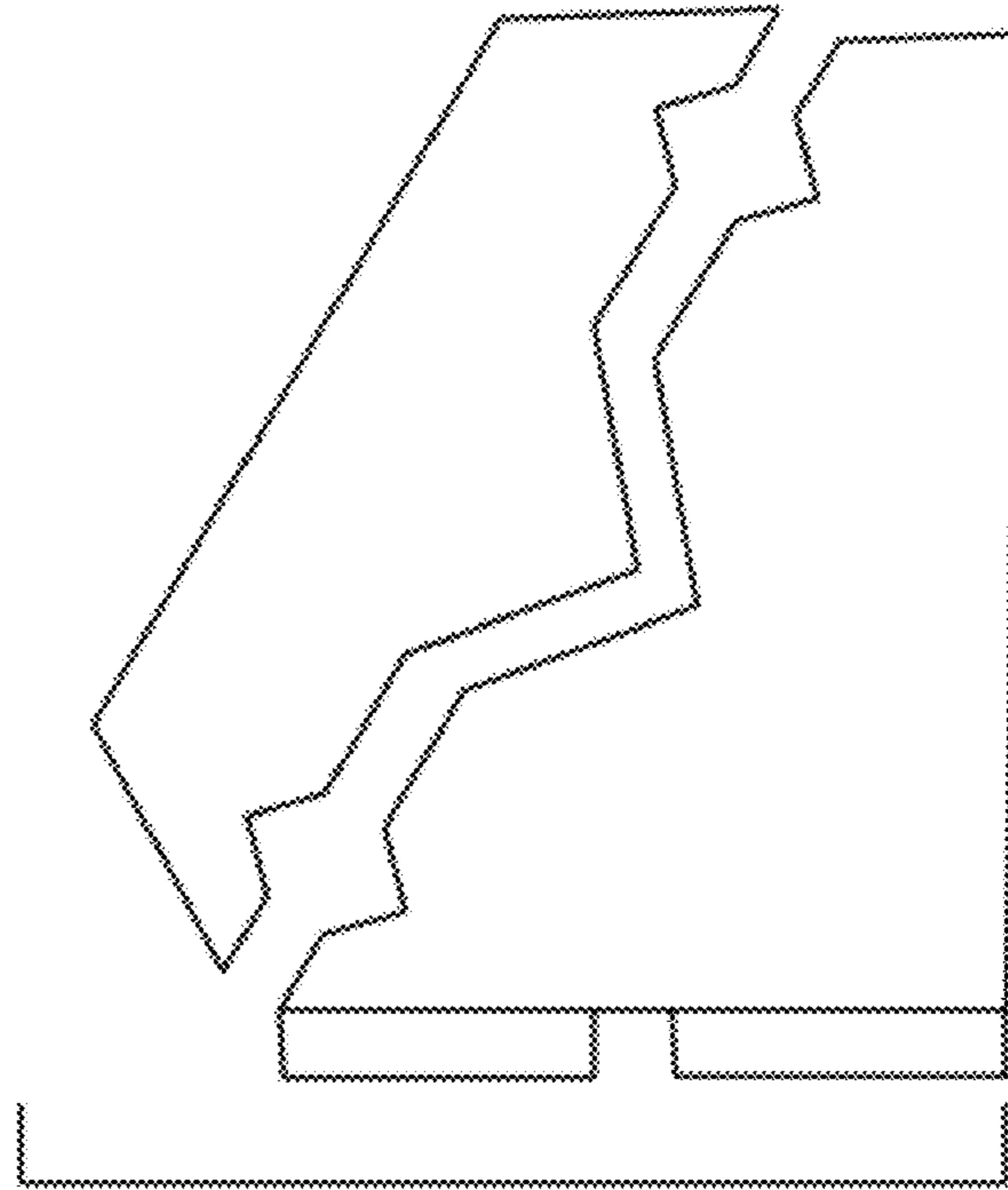




**Fig. 9**

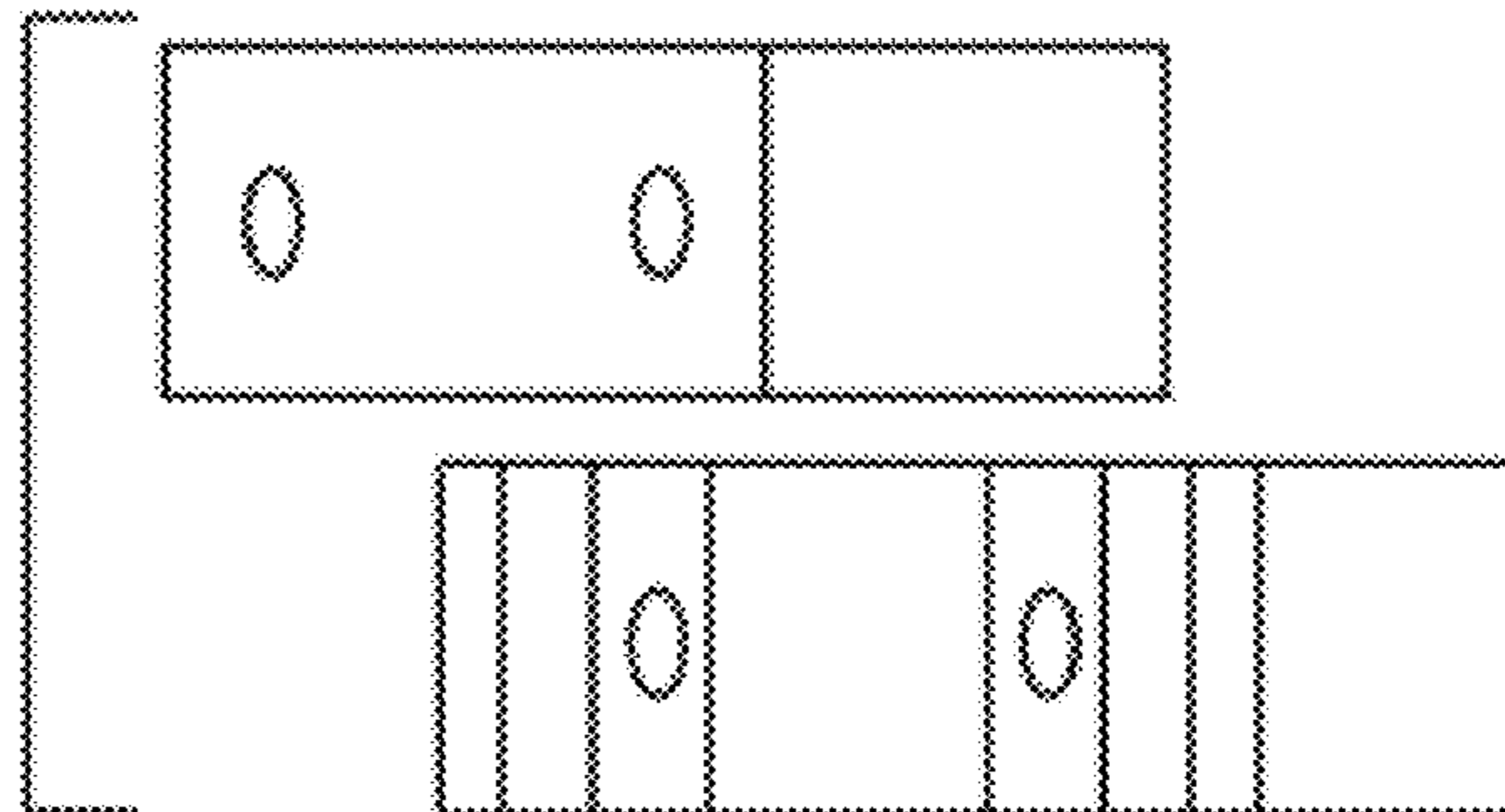


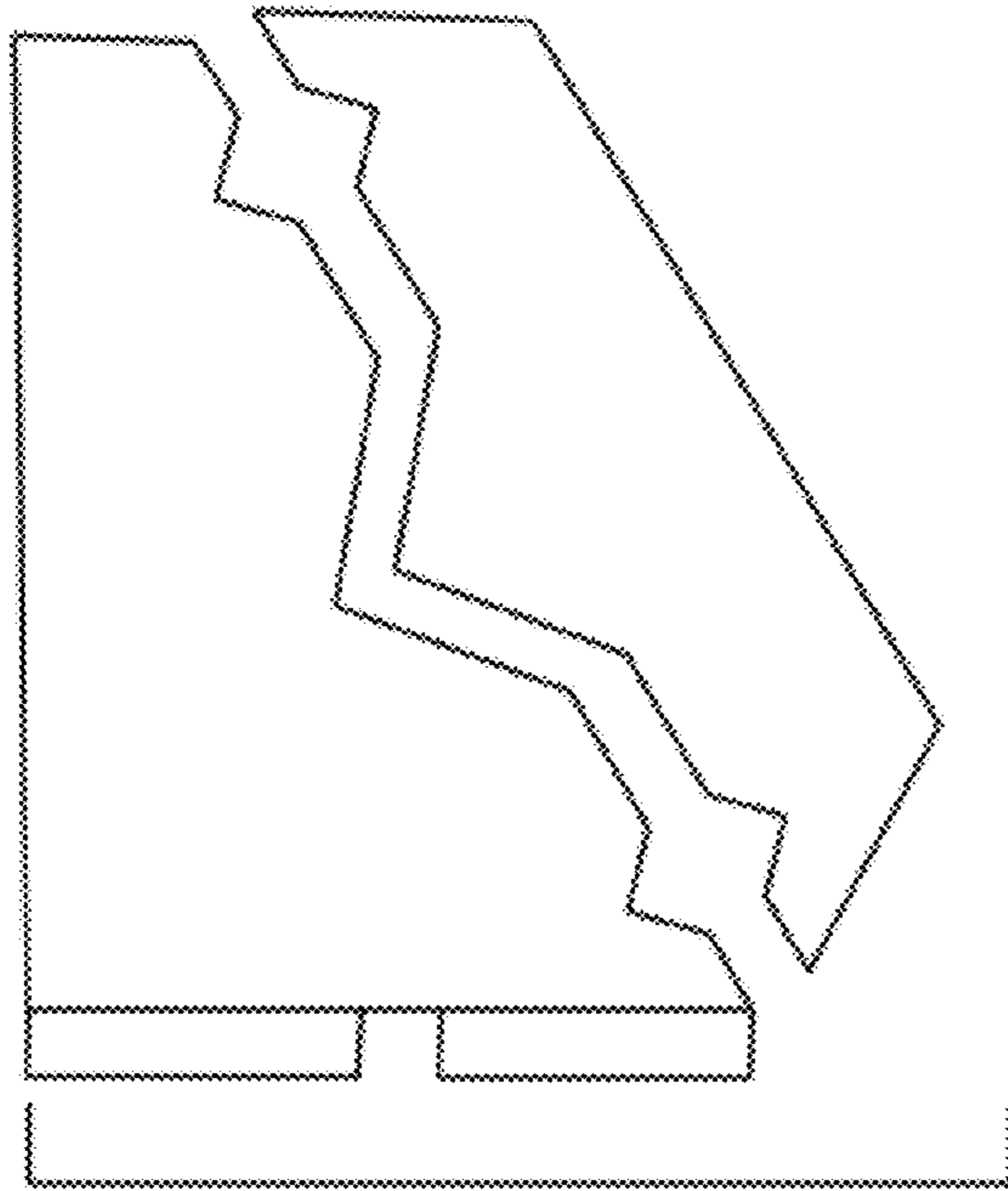
**Fig. 10**



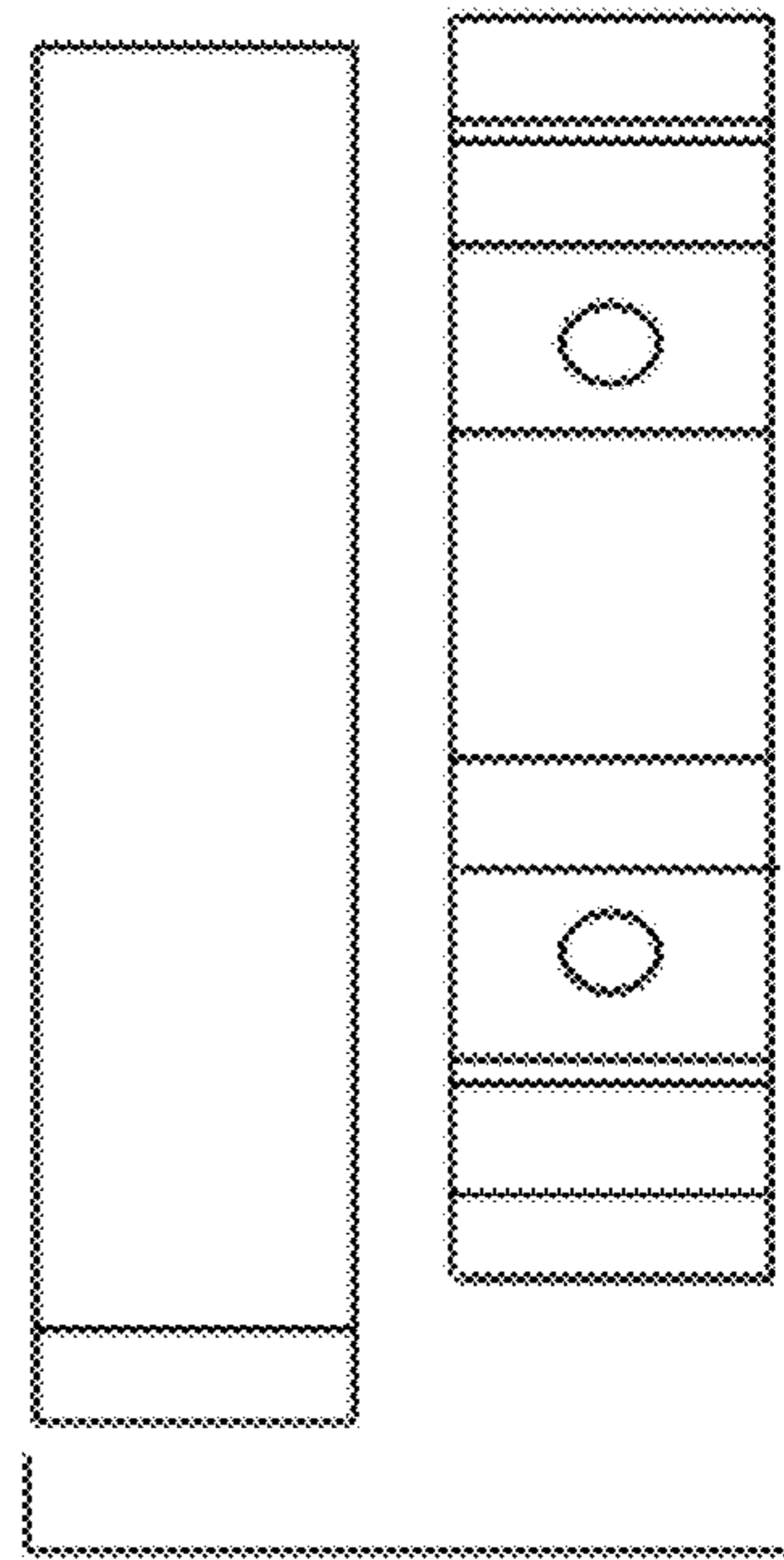
**Fig. 12**

**Fig. 14**

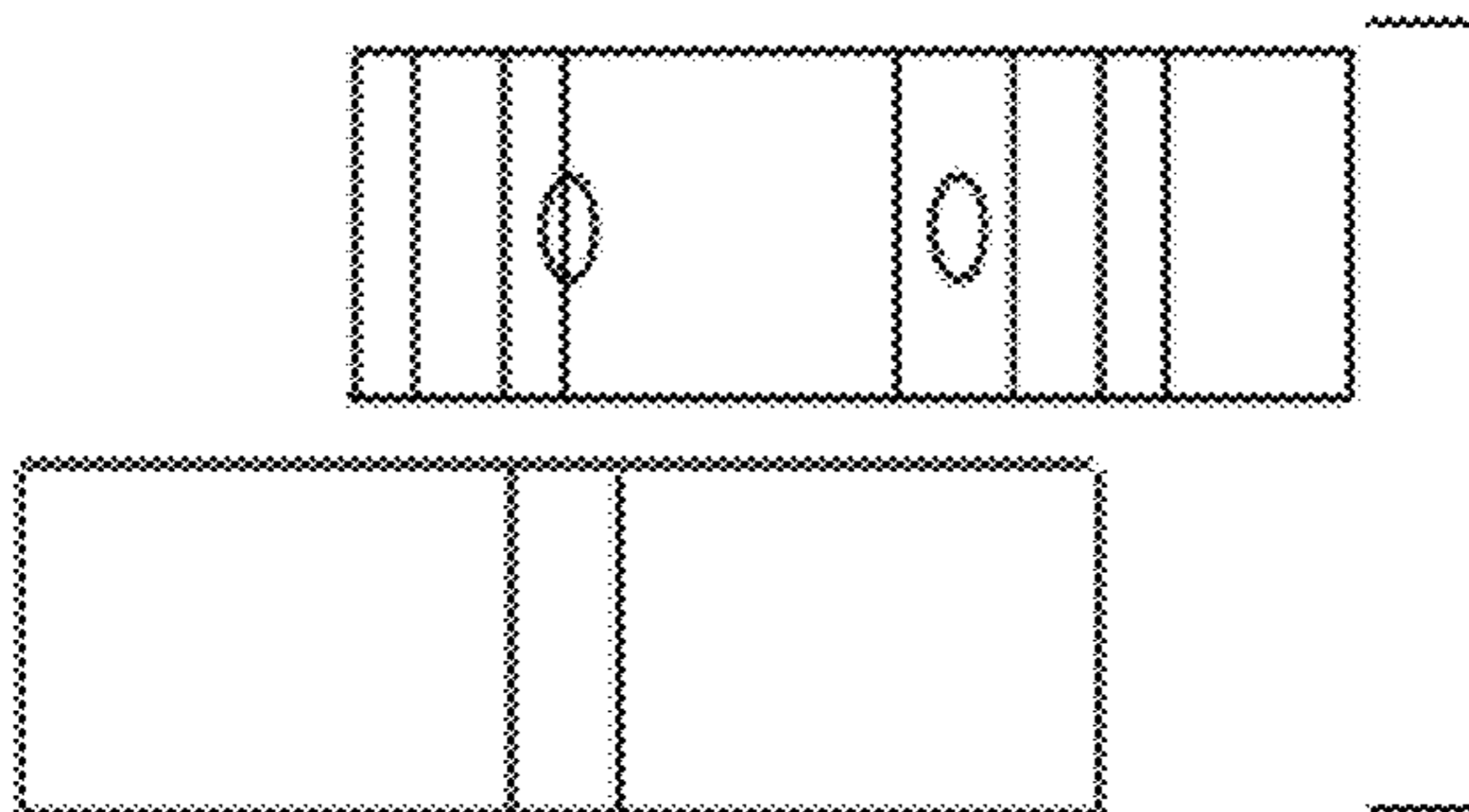




**Fig. 13**



**Fig. 11**



**Fig. 15**