



US00D668128S

(12) **United States Design Patent**
Masalin et al.

(10) **Patent No.:** **US D668,128 S**

(45) **Date of Patent:** **** Oct. 2, 2012**

(54) **HANDLE FOR CUTTING TOOL**

(75) Inventors: **Petteri Masalin**, Helsinki (FI); **Jouni Salojärvi**, Helsinki (FI); **Sara Maattola**, Kauniainen (FI); **Mika Sokka**, Tuusula (FI)

(73) Assignee: **Fiskars Brands Finland Oy AB**, Billnäs (FI)

(**) Term: **14 Years**

(21) Appl. No.: **29/373,638**

(22) Filed: **May 4, 2011**

(30) **Foreign Application Priority Data**

Nov. 19, 2010 (EM) 001783614-0001

(51) **LOC (9) Cl.** **08-05**

(52) **U.S. Cl.** **D8/107**

(58) **Field of Classification Search** D8/107,
D8/105, 106, 80, 81, 98, 8; 16/110.1, 436,
16/422, 429; 294/55.5, 58, 181; 173/170;
81/489; D32/34

See application file for complete search history.

(56) **References Cited**

U.S. PATENT DOCUMENTS

237,891	A *	2/1881	Musselman	16/426
715,056	A *	12/1902	Gruner	294/58
3,024,031	A *	3/1962	Davidson	279/79
5,084,975	A	2/1992	Melter		
5,120,098	A *	6/1992	Childress	294/49
D351,539	S	10/1994	Huttunen et al.		
D370,612	S *	6/1996	Meakin et al.	D8/107

D374,381	S *	10/1996	Meisner et al.	D8/8
D406,225	S *	3/1999	Searle et al.	D8/107
D417,382	S *	12/1999	Saladino, Jr.	D8/107
D481,917	S	11/2003	McLean		
D487,010	S	2/2004	Marquardt et al.		
D488,046	S	4/2004	Marquardt et al.		
D499,318	S	12/2004	McLean		
7,089,625	B2	8/2006	Linden et al.		
D539,629	S *	4/2007	Demar et al.	D8/107
7,441,337	B2	10/2008	Linden et al.		
D586,968	S *	2/2009	Libman et al.	D32/52
D609,871	S *	2/2010	Zach et al.	D32/52
7,657,972	B2 *	2/2010	Jenkins	16/426

* cited by examiner

Primary Examiner — Paula Greene

(74) *Attorney, Agent, or Firm* — Foley & Lardner LLP

(57) **CLAIM**

We claim the ornamental design for a handle for cutting tool, as shown and described.

DESCRIPTION

FIG. 1 is a perspective view of a handle for cutting tool showing the claimed design.

FIG. 2 is a left side view of the claimed design of FIG. 1.

FIG. 3 is a right side view of the claimed design of FIG. 1.

FIG. 4 is a top view of the claimed design of FIG. 1.

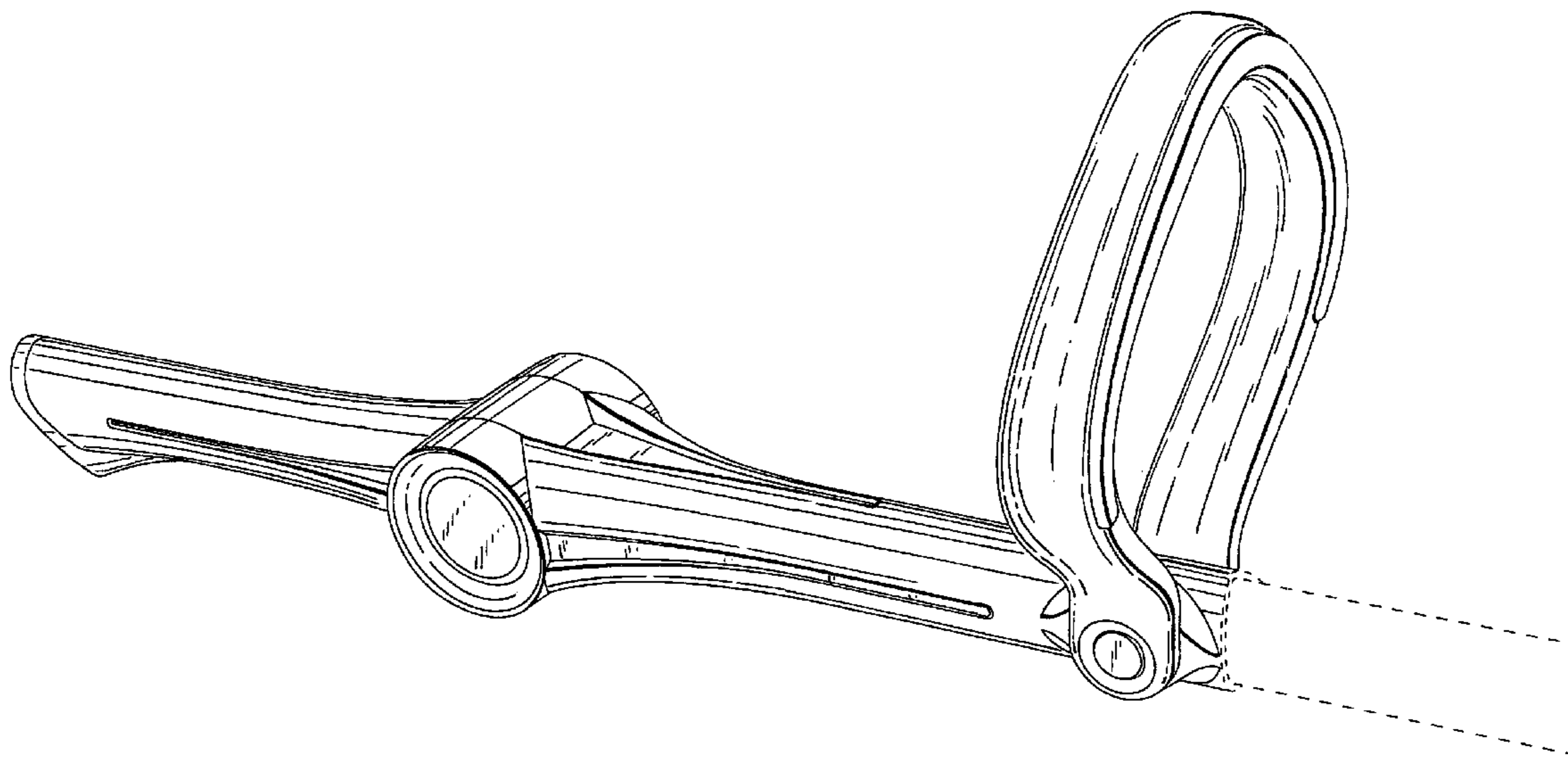
FIG. 5 is a bottom view of the claimed design of FIG. 1.

FIG. 6 is a front view of the claimed design of FIG. 1; and,

FIG. 7 is a rear view of the claimed design of FIG. 1.

The ornamental design which is claimed is shown in solid lines in the drawings. The broken lines in the drawings are for illustrative purposes only and form no part of the claimed design.

1 Claim, 7 Drawing Sheets



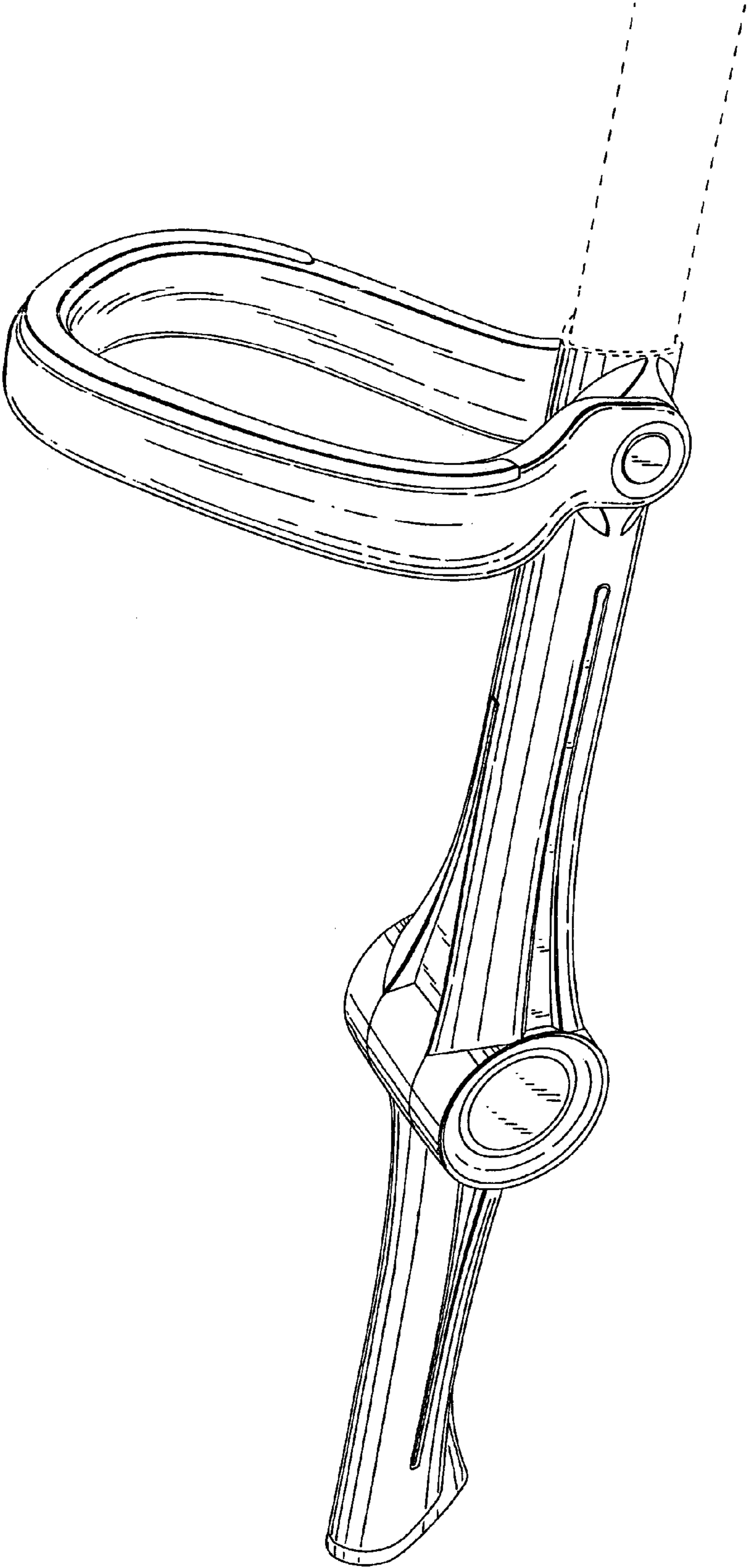


FIGURE 1

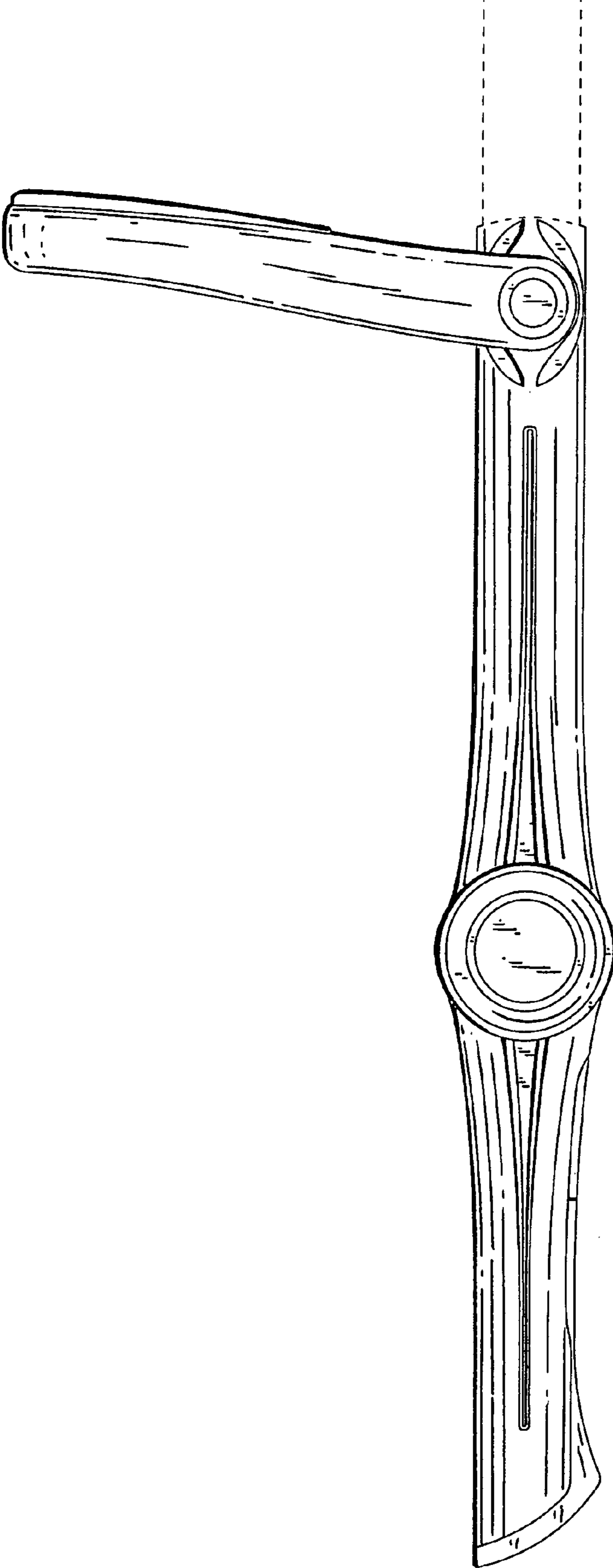


FIGURE 2

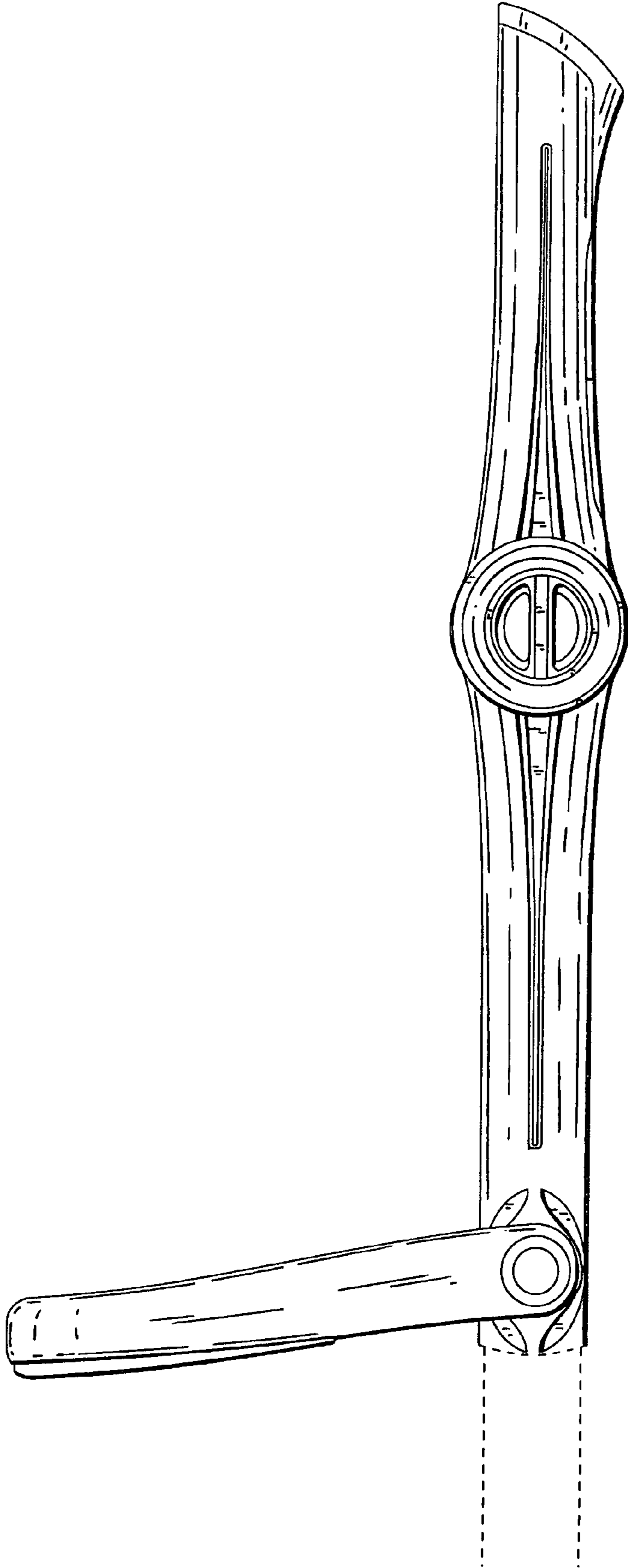


FIGURE 3

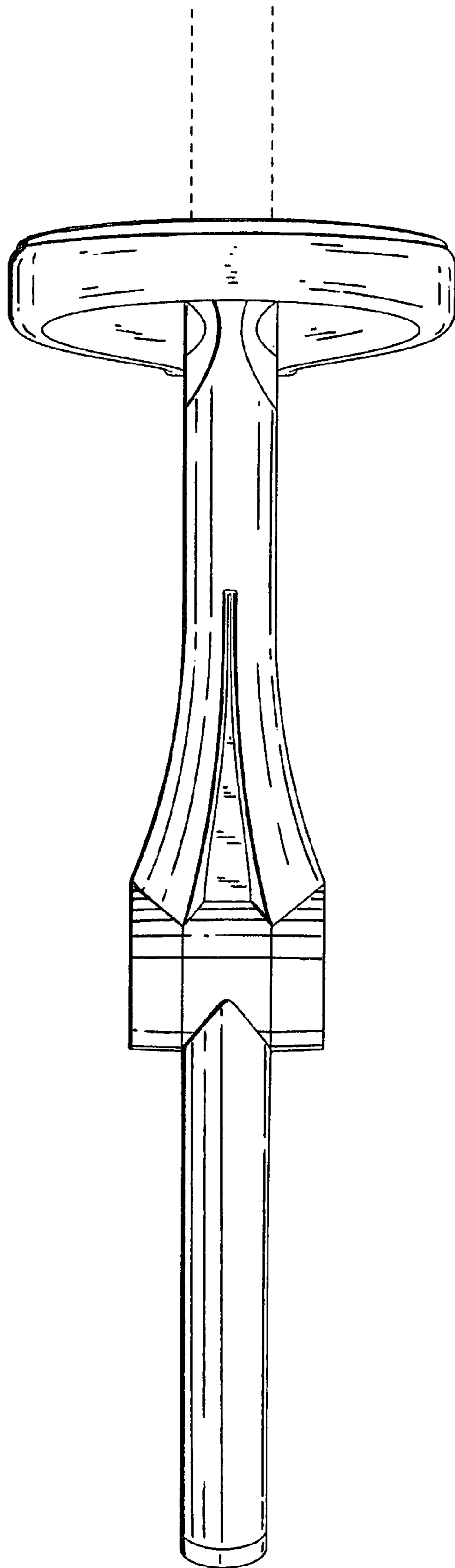


FIGURE 4

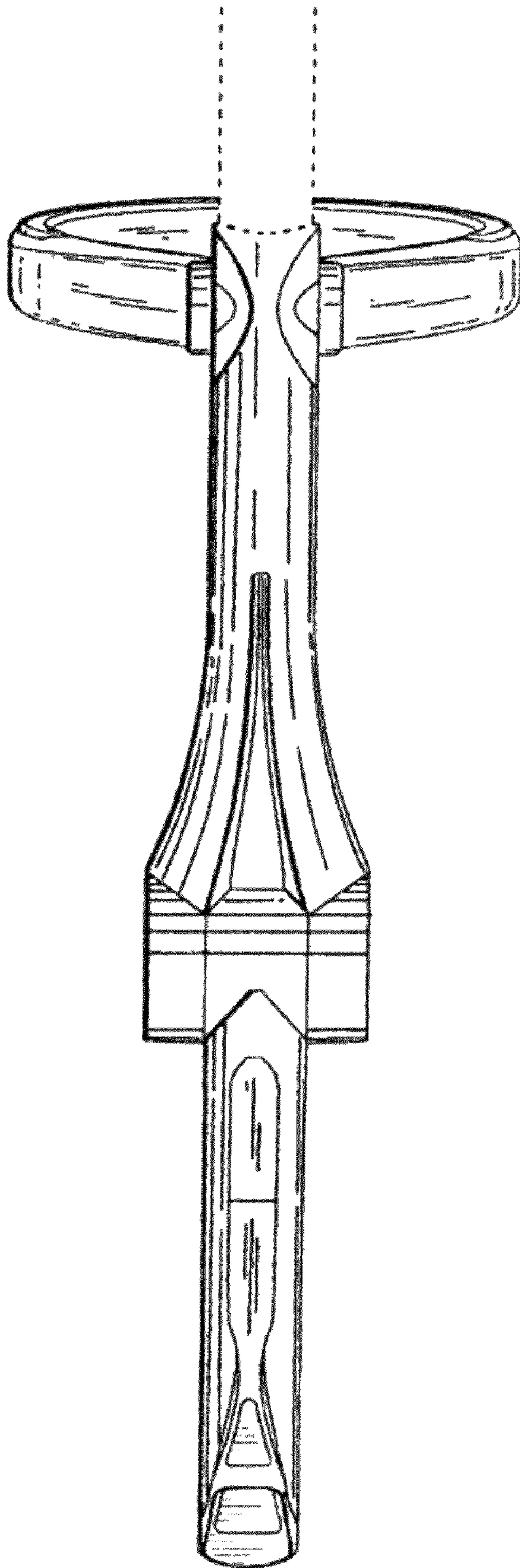


FIGURE 5

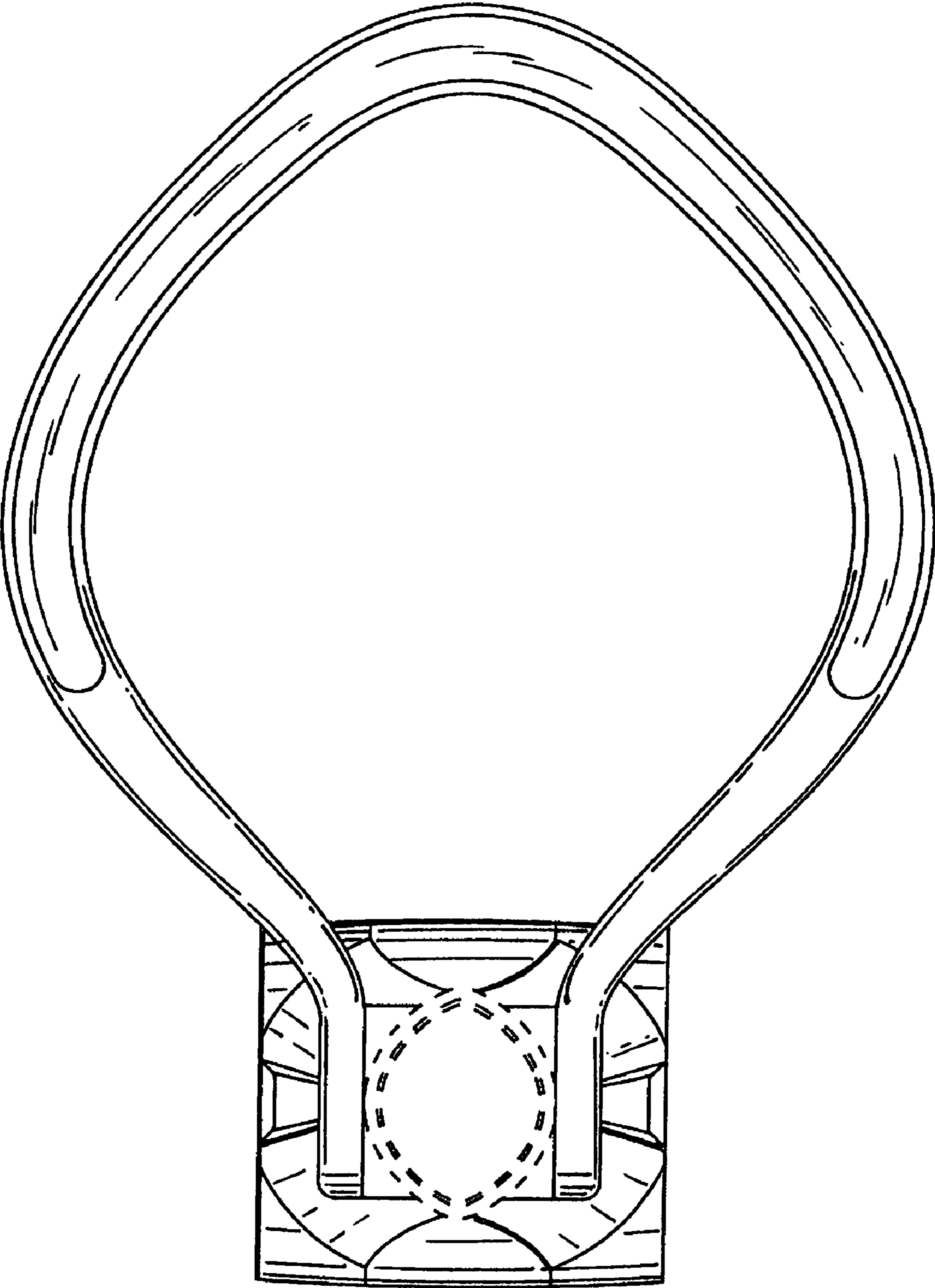


FIGURE 6

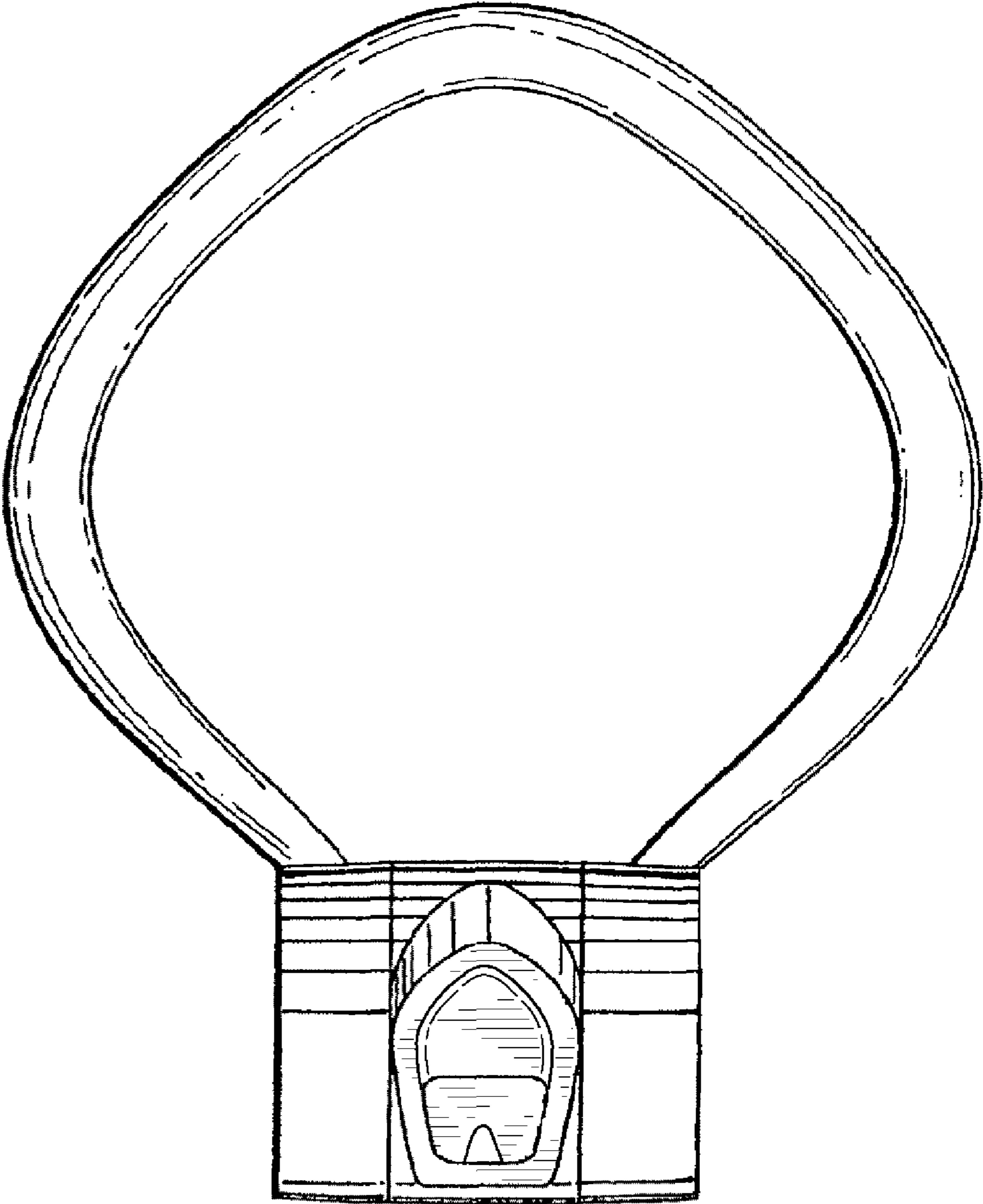


FIGURE 7