



US00D668125S

(12) **United States Design Patent**
Pennington et al.

(10) **Patent No.:** **US D668,125 S**

(45) **Date of Patent:** **** Oct. 2, 2012**

(54) **FASTENING TOOL**

(75) Inventors: **Stephen Craig Pennington**, Chicago, IL (US); **Ryan Alan Heiser**, Chicago, IL (US); **Jonathan Patrick Sokol**, New York, NY (US); **Kyle Walters**, Chicago, IL (US)

(73) Assignee: **Arrow Fastener Co., LLC**, Saddle Brook, NJ (US)

(**) Term: **14 Years**

(21) Appl. No.: **29/414,691**

(22) Filed: **Mar. 2, 2012**

(51) **LOC (9) Cl.** **19-02**

(52) **U.S. Cl.** **D8/49**

(58) **Field of Classification Search** D8/48, D8/49, 50, 61, 68, 69, 70; D19/72, 73, 65, D19/69; D21/532; D24/145; 7/158, 160; 227/4, 5, 6, 7, 8, 120, 127, 128, 131, 132, 227/134, 144, 156, 175.1; 606/139, 143, 606/153, 219

See application file for complete search history.

(56) **References Cited**

U.S. PATENT DOCUMENTS

5,407,118	A	4/1995	Marks	
D360,119	S *	7/1995	Fealey	D8/49
5,497,932	A	3/1996	Brewer et al.	
5,511,716	A	4/1996	Marks	
5,622,258	A	4/1997	Baublitz et al.	
5,664,722	A	9/1997	Marks	
5,699,949	A *	12/1997	Marks	227/132
5,735,444	A	4/1998	Wingert	
5,765,742	A	6/1998	Marks	
5,816,470	A	10/1998	Plato et al.	
5,884,829	A	3/1999	Wingert	
D411,422	S *	6/1999	Juhlin et al.	D8/49
5,988,478	A	11/1999	Marks	
D432,883	S	10/2000	Wingert	
6,131,788	A	10/2000	Marks	
6,145,728	A	11/2000	Marks	
6,173,877	B1	1/2001	Wingert	

D454,289	S *	3/2002	Huang	D8/49
6,355,892	B1	3/2002	Marks	
6,367,676	B1 *	4/2002	Opland et al.	227/123
6,789,719	B2	9/2004	Shor	
D517,385	S *	3/2006	Arns	D8/49
D518,695	S *	4/2006	Hu	D8/49
7,097,088	B2 *	8/2006	Shor	227/132
D531,469	S *	11/2006	Osberg et al.	D8/49
D552,951	S	10/2007	Shor	
D553,459	S *	10/2007	Shor	D8/49
D553,460	S	10/2007	Shor	
D560,987	S	2/2008	Krushlin et al.	
D561,550	S	2/2008	Krushlin et al.	
7,344,026	B2	3/2008	Melgaard	
D568,129	S *	5/2008	Arns	D8/49
D568,130	S *	5/2008	Arns	D8/49
D573,089	S	7/2008	Mandel et al.	
D574,205	S	8/2008	Krushlin et al.	
D576,545	S	9/2008	Mandel et al.	
D578,365	S	10/2008	Mandel et al.	
D580,246	S	11/2008	Mandel et al.	
7,503,400	B2	3/2009	Llewellyn	
7,506,789	B2	3/2009	Shor	

(Continued)

Primary Examiner — Austin Murphy

(74) *Attorney, Agent, or Firm* — Lora J. Graentzdoerffer; Nirav D. Parikh; Edgar A. Zarins

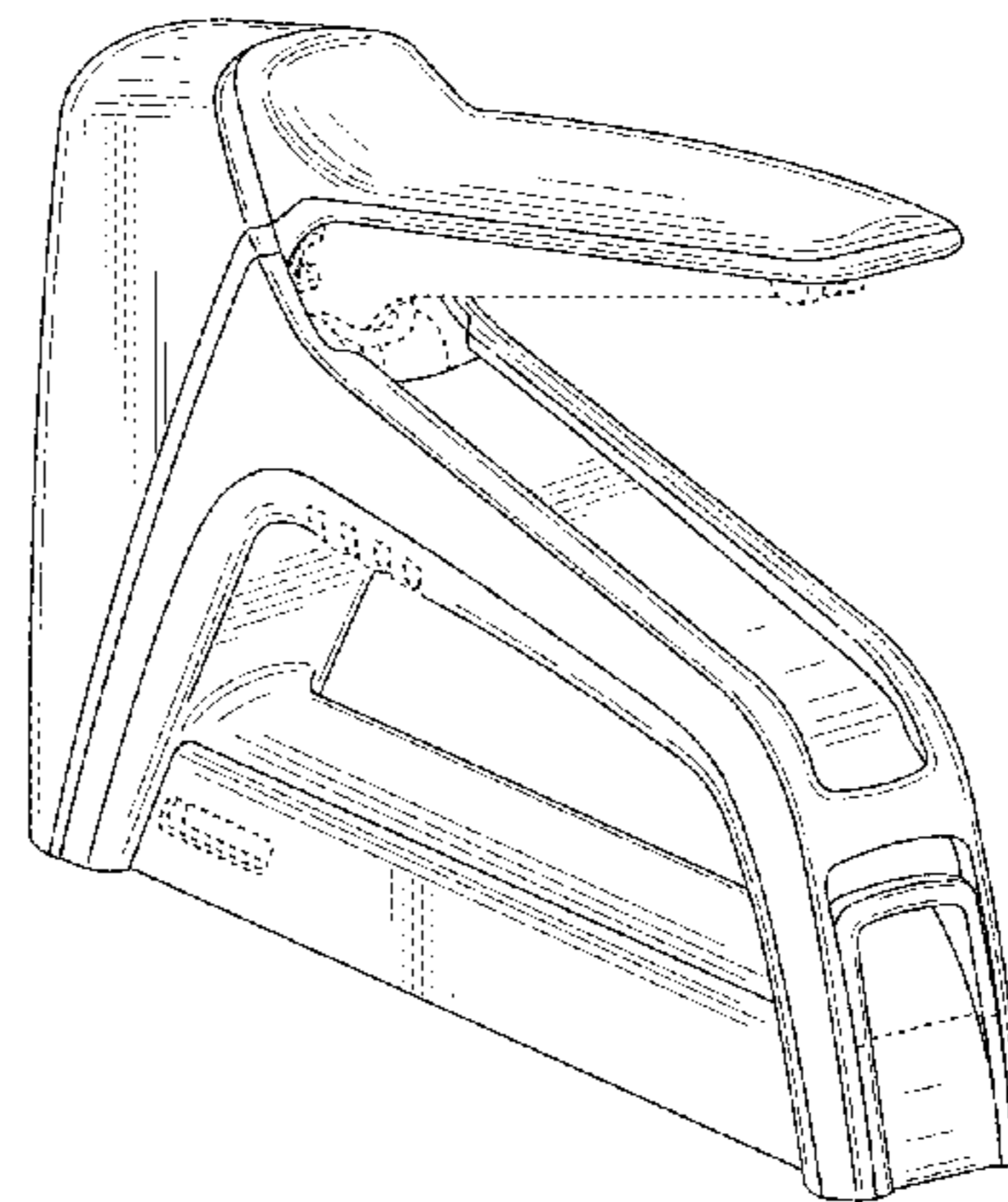
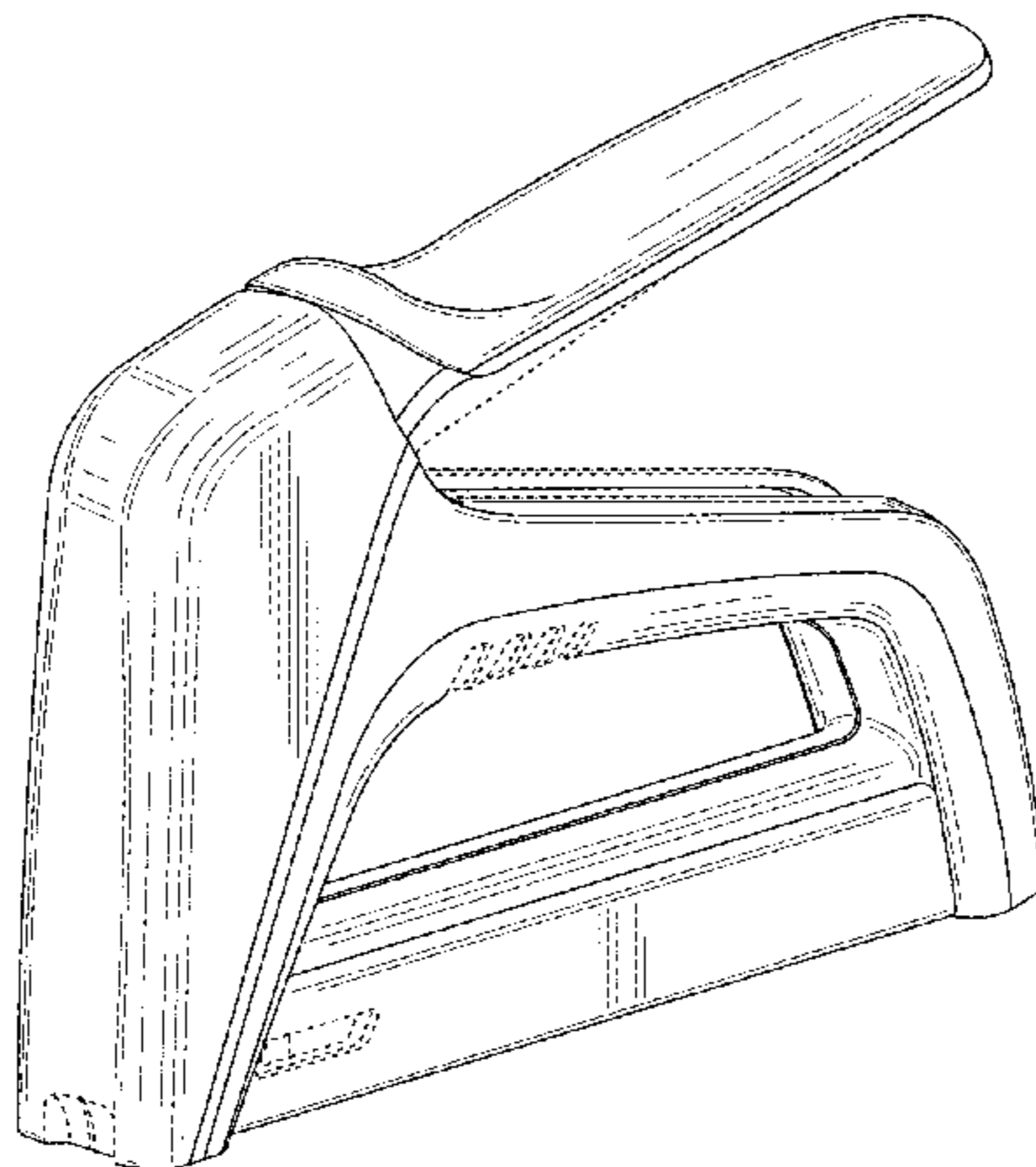
(57) **CLAIM**

The ornamental design for a fastening tool, as shown and described.

DESCRIPTION

FIG. 1 is a perspective view thereof; FIG. 2 is an alternative perspective view thereof; FIG. 3 is a right side elevational view thereof; FIG. 4 is a left side elevational view thereof; FIG. 5 is a front elevational view thereof; FIG. 6 is a rear elevational view thereof; FIG. 7 is a top plan view thereof; and, FIG. 8 is a bottom plan view thereof. The broken-line disclosure in the views represents portions of the article in which the claimed design is embodied, but which form no part of the claimed design.

1 Claim, 8 Drawing Sheets



US D668,125 S

Page 2

U.S. PATENT DOCUMENTS

D600,085	S	9/2009	Mandel et al.	
D600,986	S *	9/2009	Betsalel et al.	D8/49
D604,576	S *	11/2009	Betsalel et al.	D8/49
7,637,407	B2	12/2009	Shor	
7,699,202	B2	4/2010	Shor	
D620,330	S *	7/2010	Krumpe et al.	D8/49
D620,331	S *	7/2010	Krumpe et al.	D8/49
7,815,089	B2	10/2010	Shor	
D630,071	S	1/2011	Krumpe et al.	
D630,072	S	1/2011	Krumpe et al.	
D630,073	S *	1/2011	Krumpe et al.	D8/49
D631,316	S	1/2011	Krumpe et al.	
D631,317	S	1/2011	Krumpe et al.	
D631,318	S	1/2011	Krumpe et al.	
D655,558	S	3/2012	Pennington et al.	
D655,587	S	3/2012	Walters et al.	
D655,588	S *	3/2012	Pennington et al.	D8/49

* cited by examiner

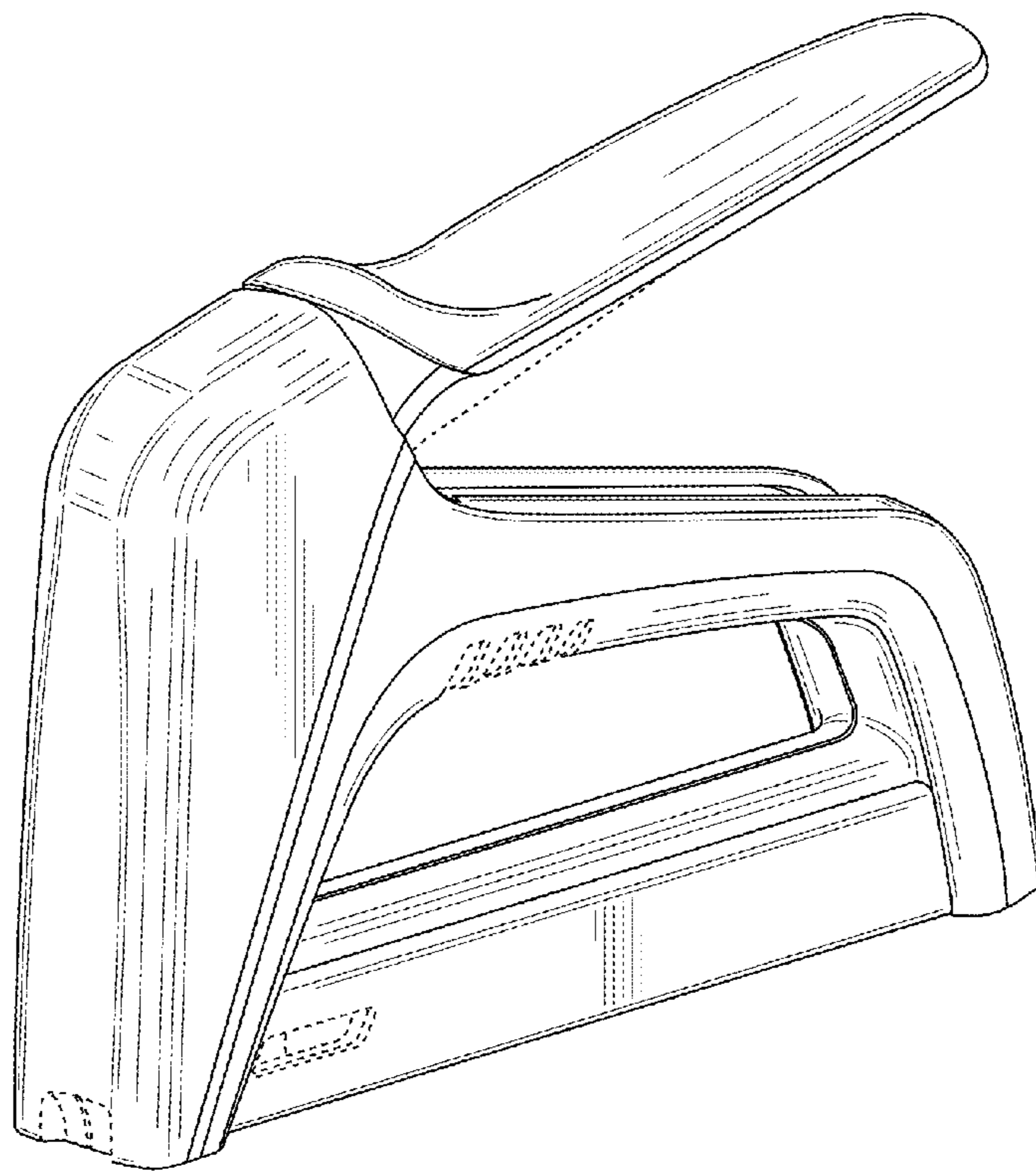


FIG. 1

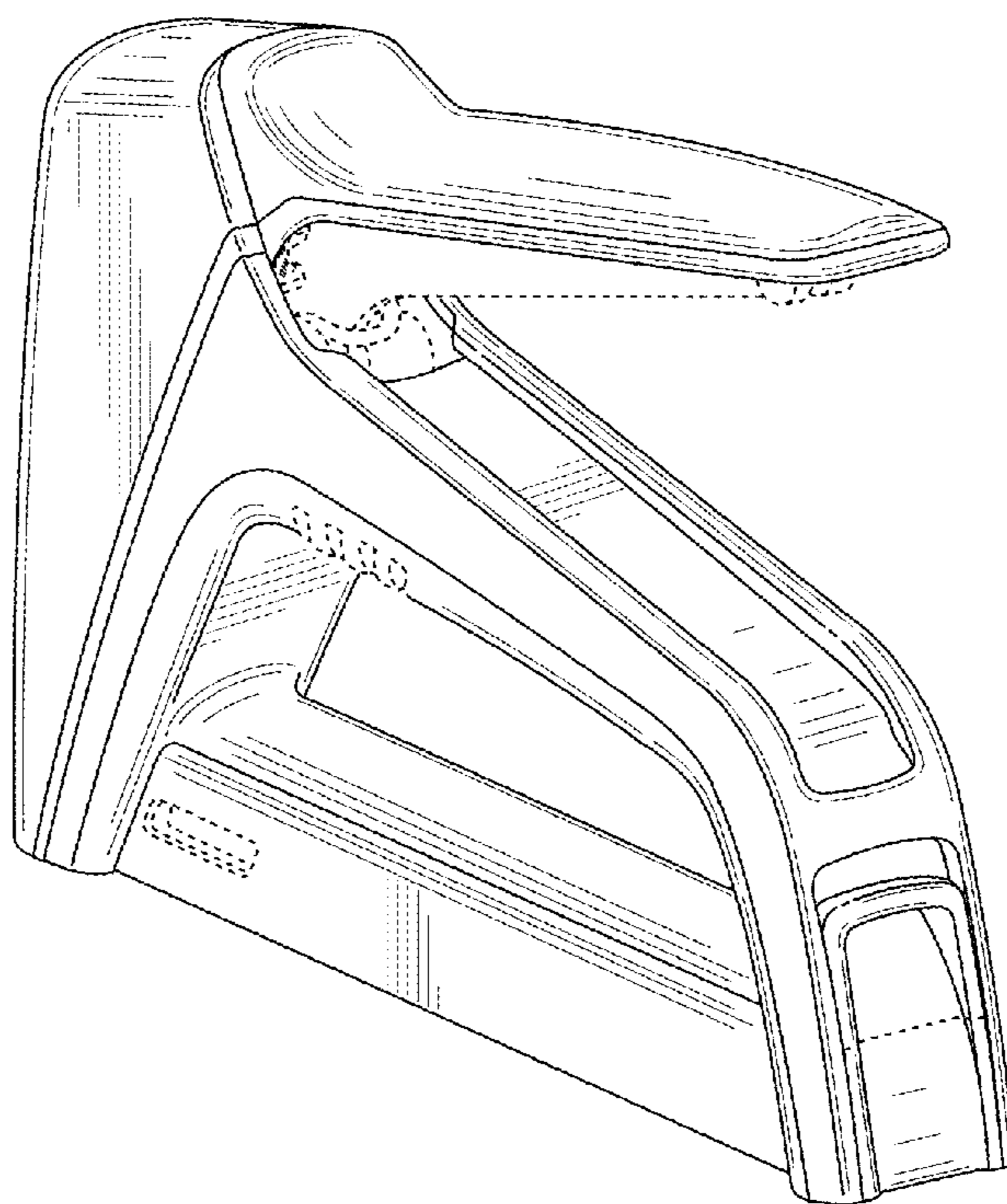


FIG. 2

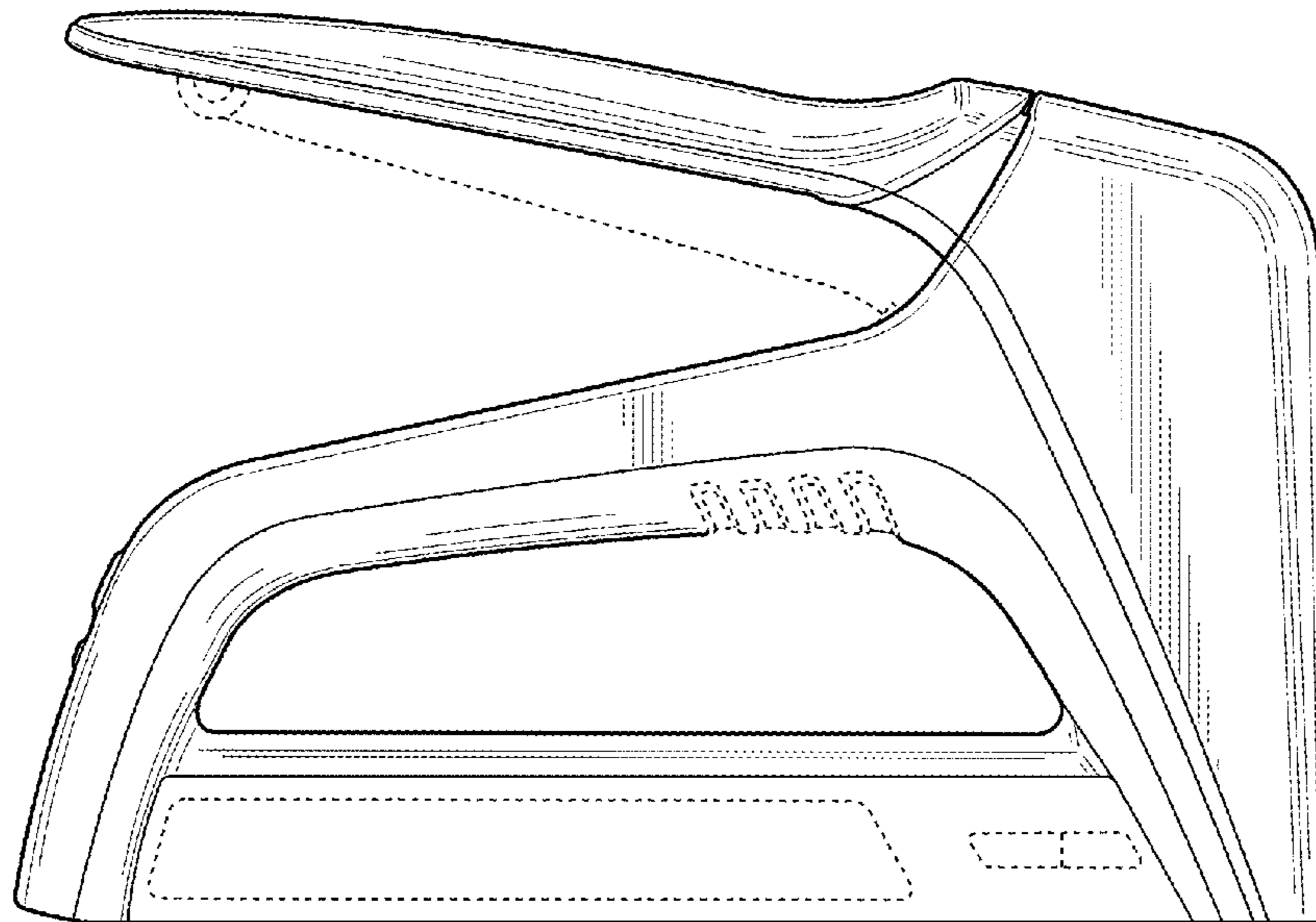


FIG. 3

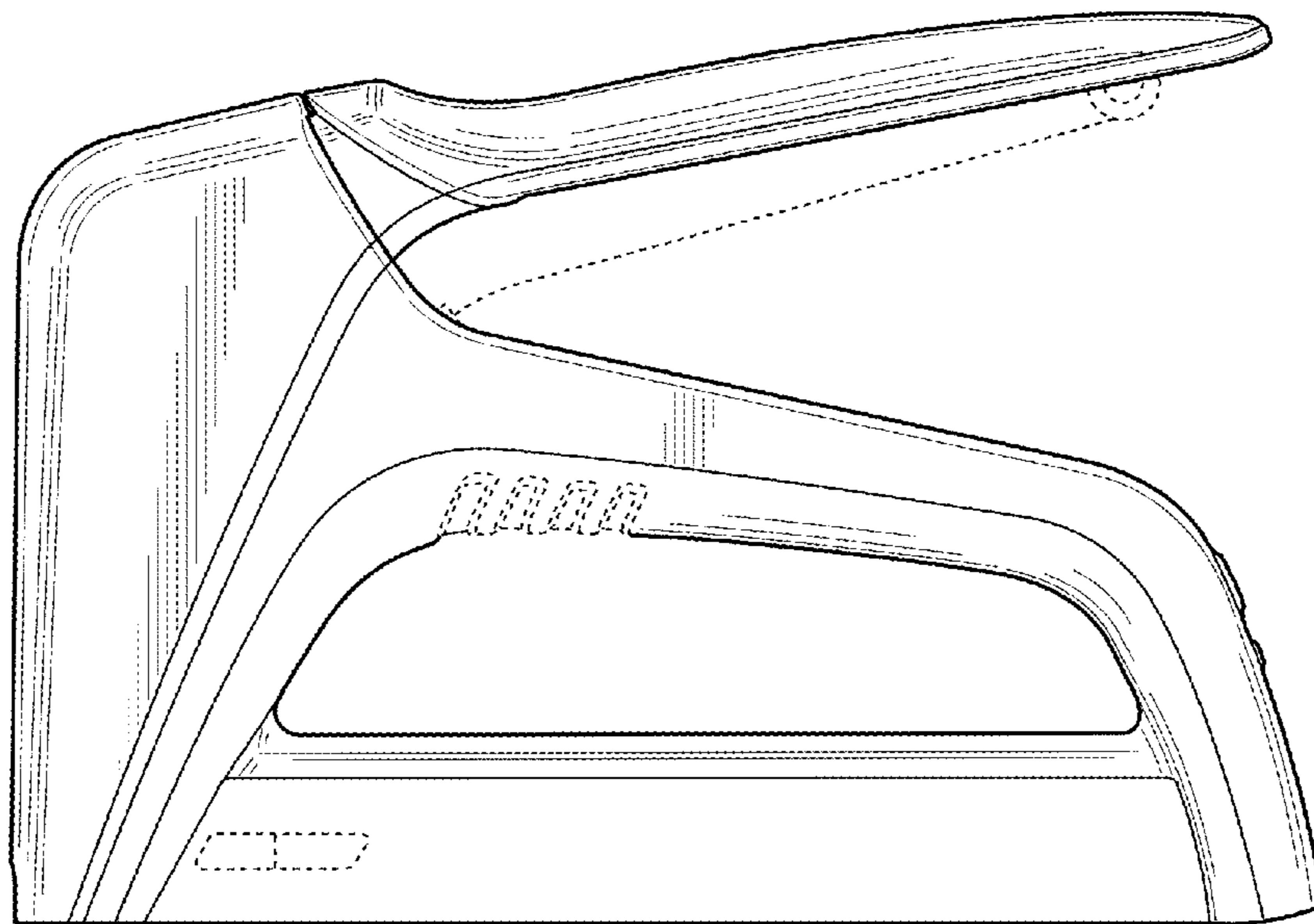


FIG. 4

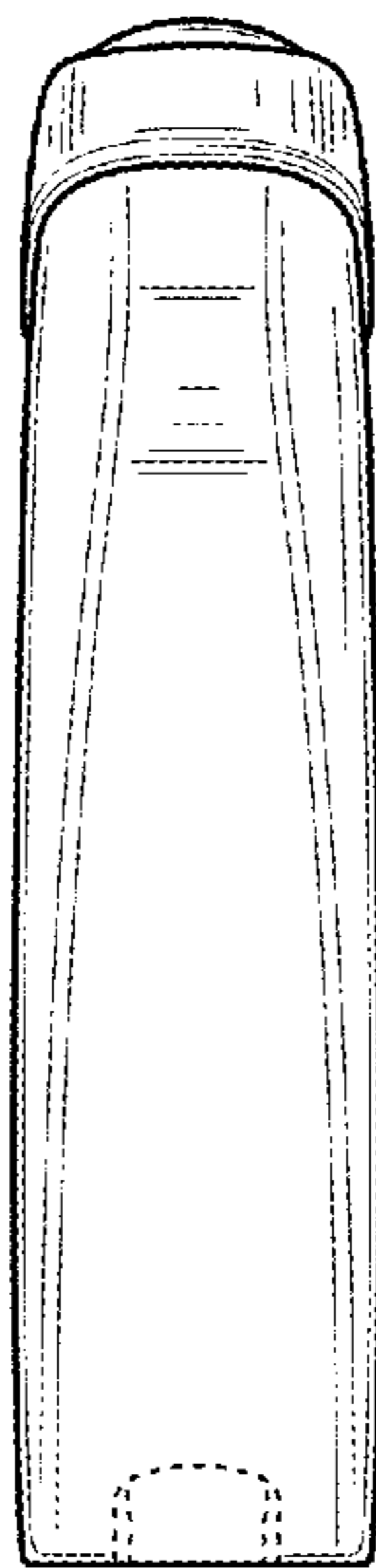


FIG. 5

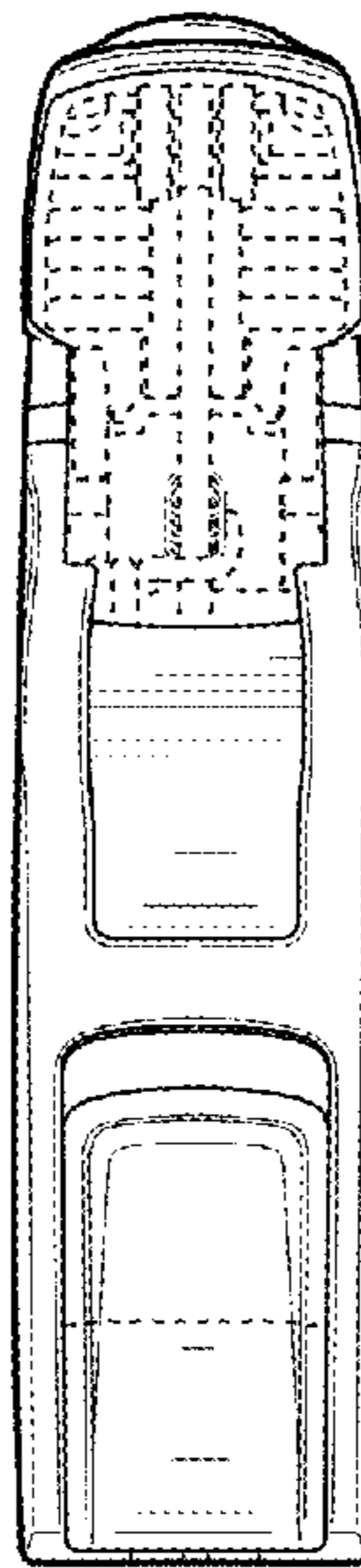


FIG. 6

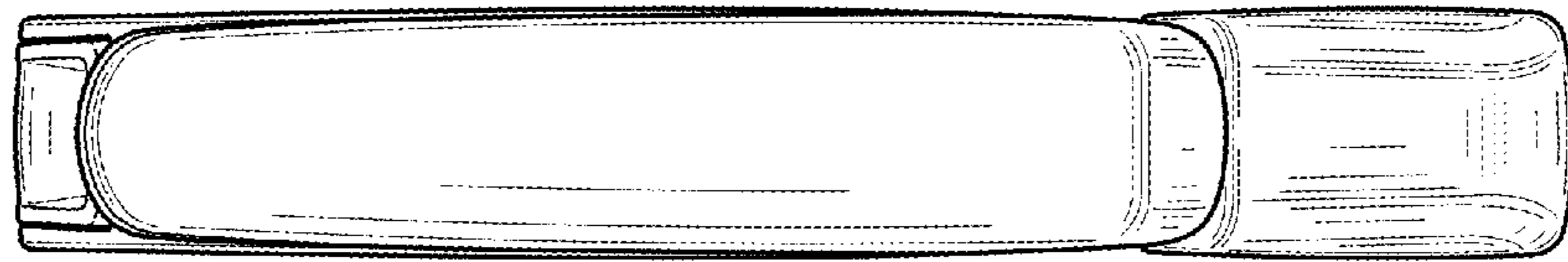


FIG. 7

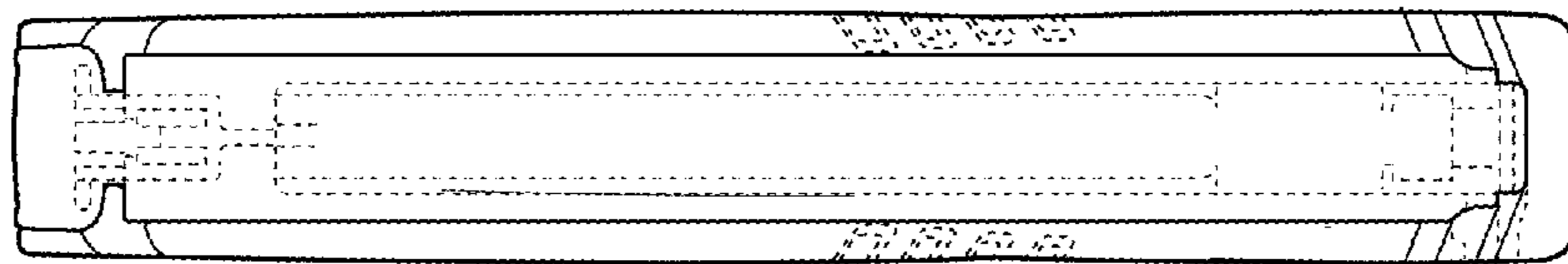


FIG. 8