

US00D668122S

(12) **United States Design Patent**  
**Caruso**

(10) **Patent No.:** **US D668,122 S**

(45) **Date of Patent:** **\*\* Oct. 2, 2012**

(54) **GARDENING POST**

47/41.1, 41.11–41.15, 44–47, 65, 65.5, 65.9,  
66.1, 66.2, 66.6, 66.7, 67–71

(76) Inventor: **Steven Jerome Caruso**, Antioch, IL  
(US)

See application file for complete search history.

(\*\*) Term: **14 Years**

(56) **References Cited**

(21) Appl. No.: **29/384,458**

U.S. PATENT DOCUMENTS

(22) Filed: **Jan. 31, 2011**

D39,566 S *	9/1908	Verbeck	.....	D6/403
D130,954 S *	12/1941	Pirnstill	.....	D6/403
D262,350 S *	12/1981	Vincent	.....	D8/1
D362,784 S *	10/1995	Sperry et al.	.....	D11/155
6,513,284 B1 *	2/2003	Sandlin	.....	47/66.6
7,373,753 B1 *	5/2008	Caruso	.....	47/39
D597,762 S *	8/2009	Caruso	.....	D6/405
D618,930 S *	7/2010	Caruso	.....	D6/405

**Related U.S. Application Data**

\* cited by examiner

(63) Continuation of application No. 29/364,797, filed on Jun. 29, 2010, now Pat. No. Des. 631,677, which is a continuation of application No. 29/301,428, filed on Feb. 29, 2008, now Pat. No. Des. 597,762, which is a continuation-in-part of application No. 11/010,952, filed on Dec. 13, 2004, now Pat. No. 7,373,753, which is a continuation-in-part of application No. 10/264,495, filed on Oct. 4, 2002, now abandoned.

*Primary Examiner* — Garth Rademaker

(51) **LOC (9) Cl.** ..... **11-02**

(57) **CLAIM**

(52) **U.S. Cl.** ..... **D8/1; D6/405**

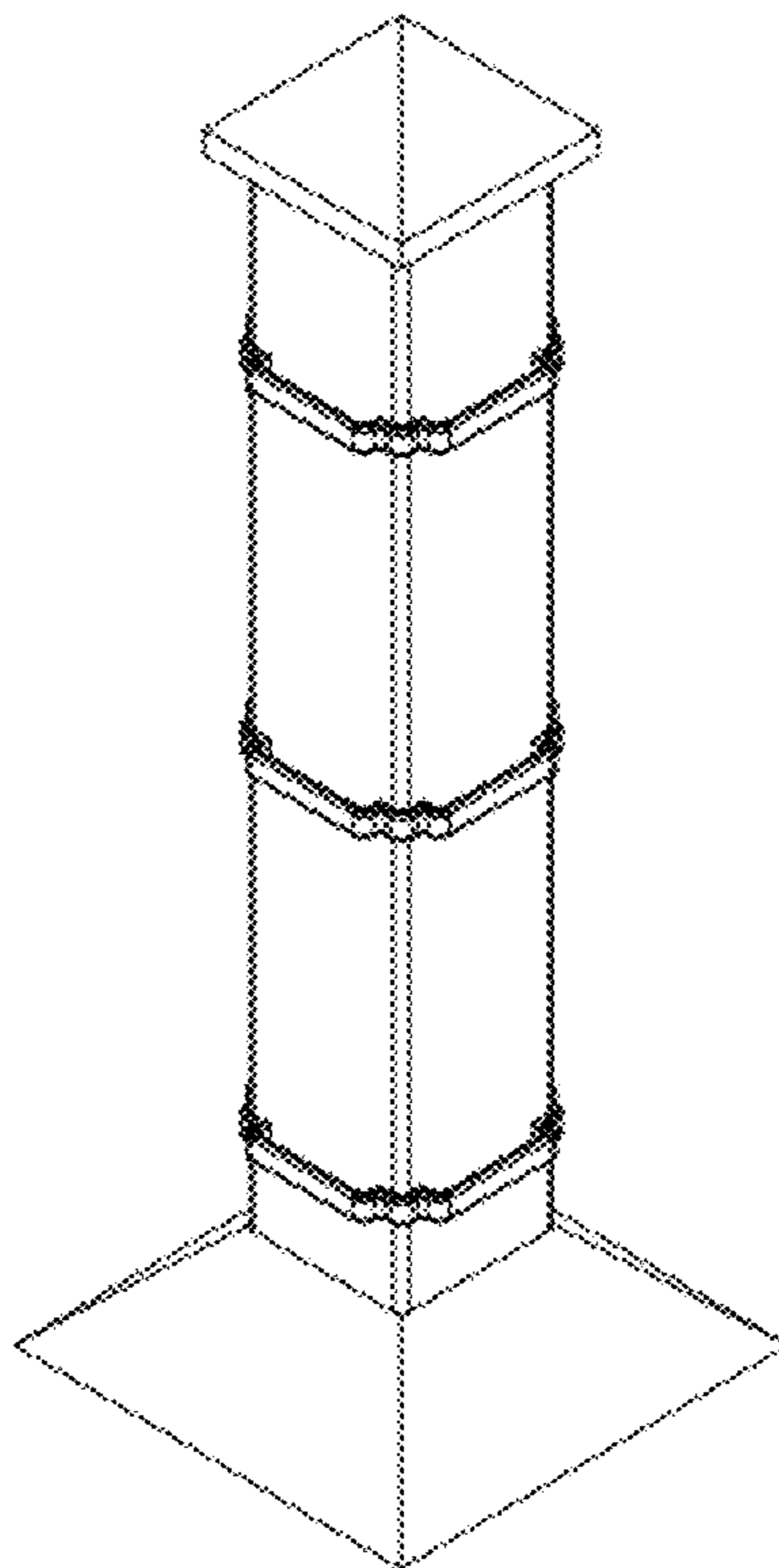
The ornamental design for a gardening post, as shown and described.

(58) **Field of Classification Search** ..... D6/403–405,  
D6/556–558; D8/1; D11/143–156, 164;  
D25/1; D26/9–11, 16, 19; D34/1, 2, 4–6;  
D99/5, 19; 47/17, 32.4, 32.5, 33, 39, 41.01,

**DESCRIPTION**

FIG. 1 is a top plan view of a gardening post showing the new design of the invention;  
FIG. 2 is a front elevation view thereof; and,  
FIG. 3 is a perspective view thereof.

**1 Claim, 3 Drawing Sheets**



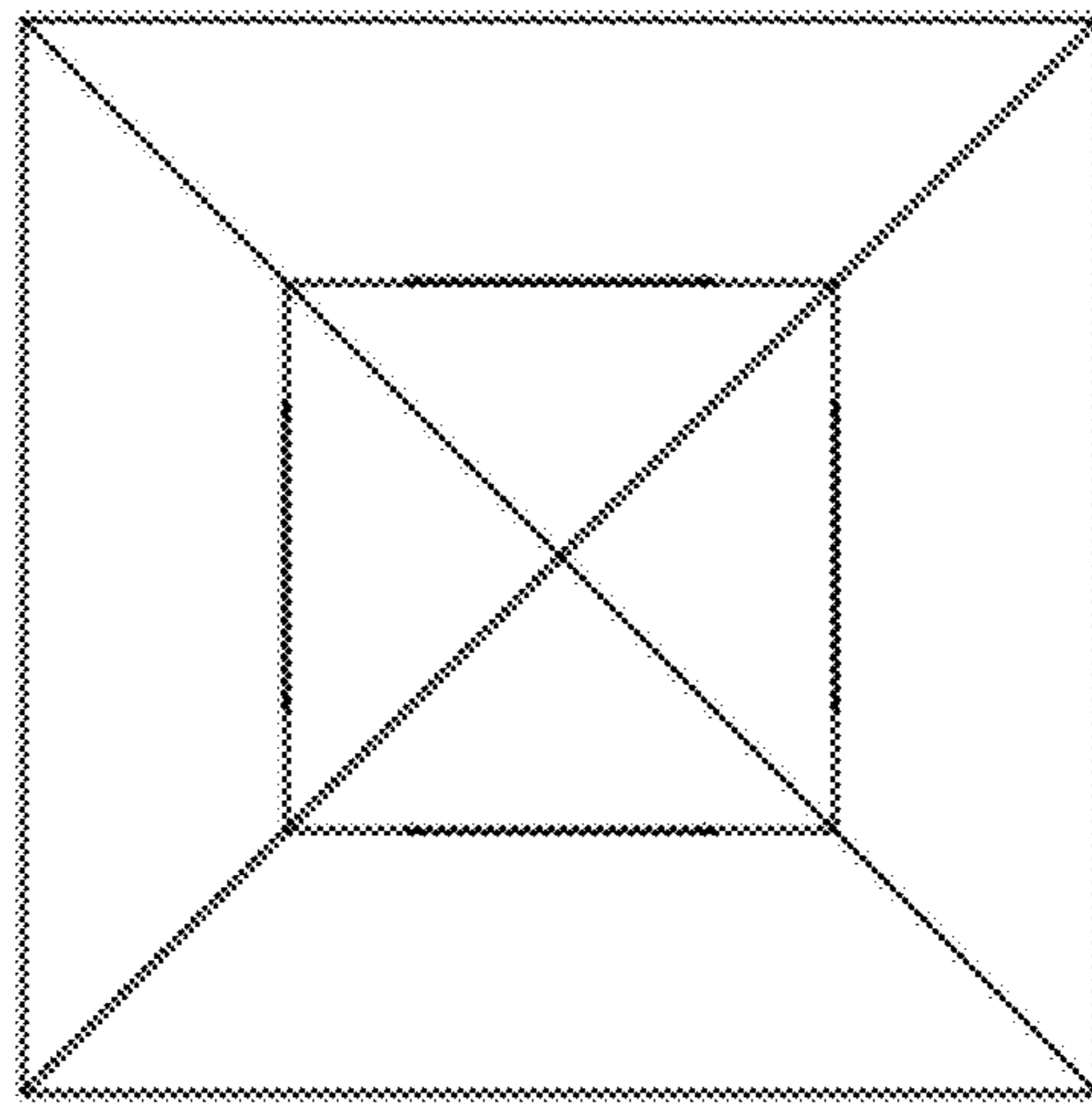


Figure 1

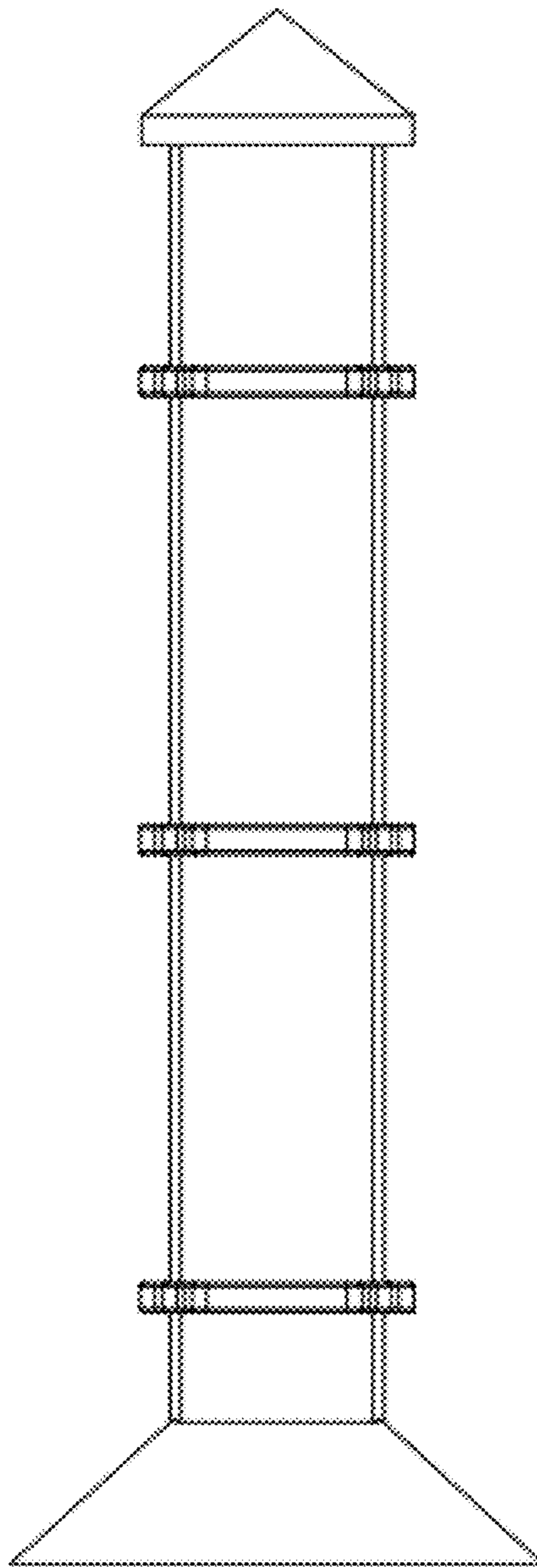


Figure 2

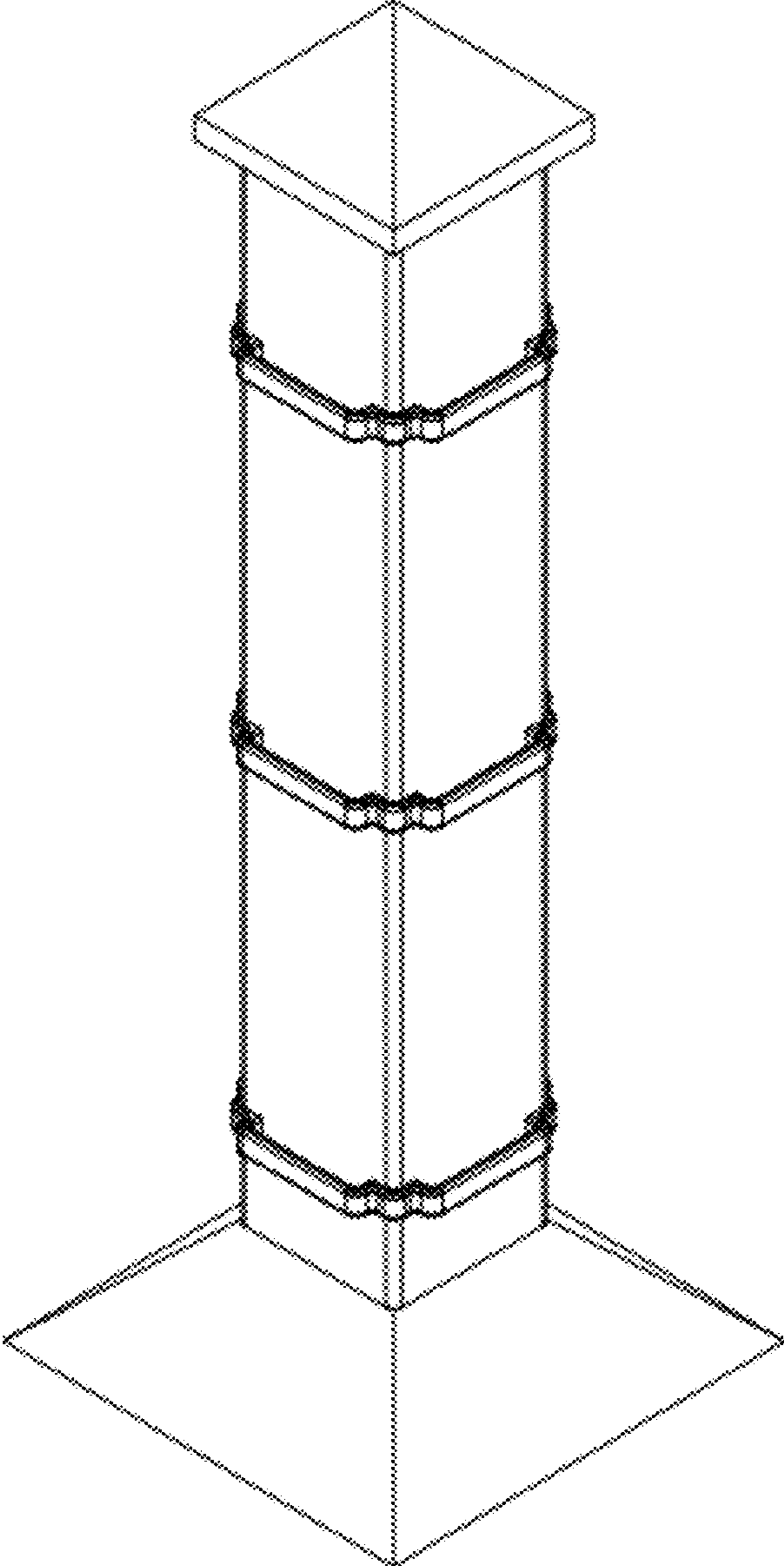


Figure 3