



US00D668121S

(12) **United States Design Patent**
Knezevic et al.

(10) **Patent No.:** **US D668,121 S**

(45) **Date of Patent:** **** Oct. 2, 2012**

(54) **ONION PEELER**

(74) *Attorney, Agent, or Firm* — Renner, Otto, Boisselle & Sklar, LLP

(75) Inventors: **Nikola Knezevic**, Märsta (SE); **Mikael Ericsson**, Hägersten (SE); **Daniel Ericsson**, Stockholm (SE); **Johan Vestberg**, Stockholm (SE)

(57) **CLAIM**

The ornamental design for an onion peeler, as shown and described.

(73) Assignee: **EPU AG**, Hergiswil (CH)

(**) Term: **14 Years**

(21) Appl. No.: **29/398,795**

DESCRIPTION

(22) Filed: **Aug. 4, 2011**

(30) **Foreign Application Priority Data**

Aug. 2, 2011 (EM) 001818170

(51) **LOC (9) Cl.** **07-04**

(52) **U.S. Cl.** **D7/673**

(58) **Field of Classification Search** D7/672–677,
D7/678, 381, 382, 384, 669, 368, 372; 241/93,
241/94, 101.1, 37.5, 36, 273.1–273.4, 100,
241/285.1, 283, 285.2, 168, 169; 99/537,
99/588, 591, 586, 587; 30/379.6, 380, 299;
83/651.1, 648, 356.2, 431, 856, 857, 932,
83/167, 13, 425.3, 435.15, 437.7, 441.1,
83/247

See application file for complete search history.

(56) **References Cited**

U.S. PATENT DOCUMENTS

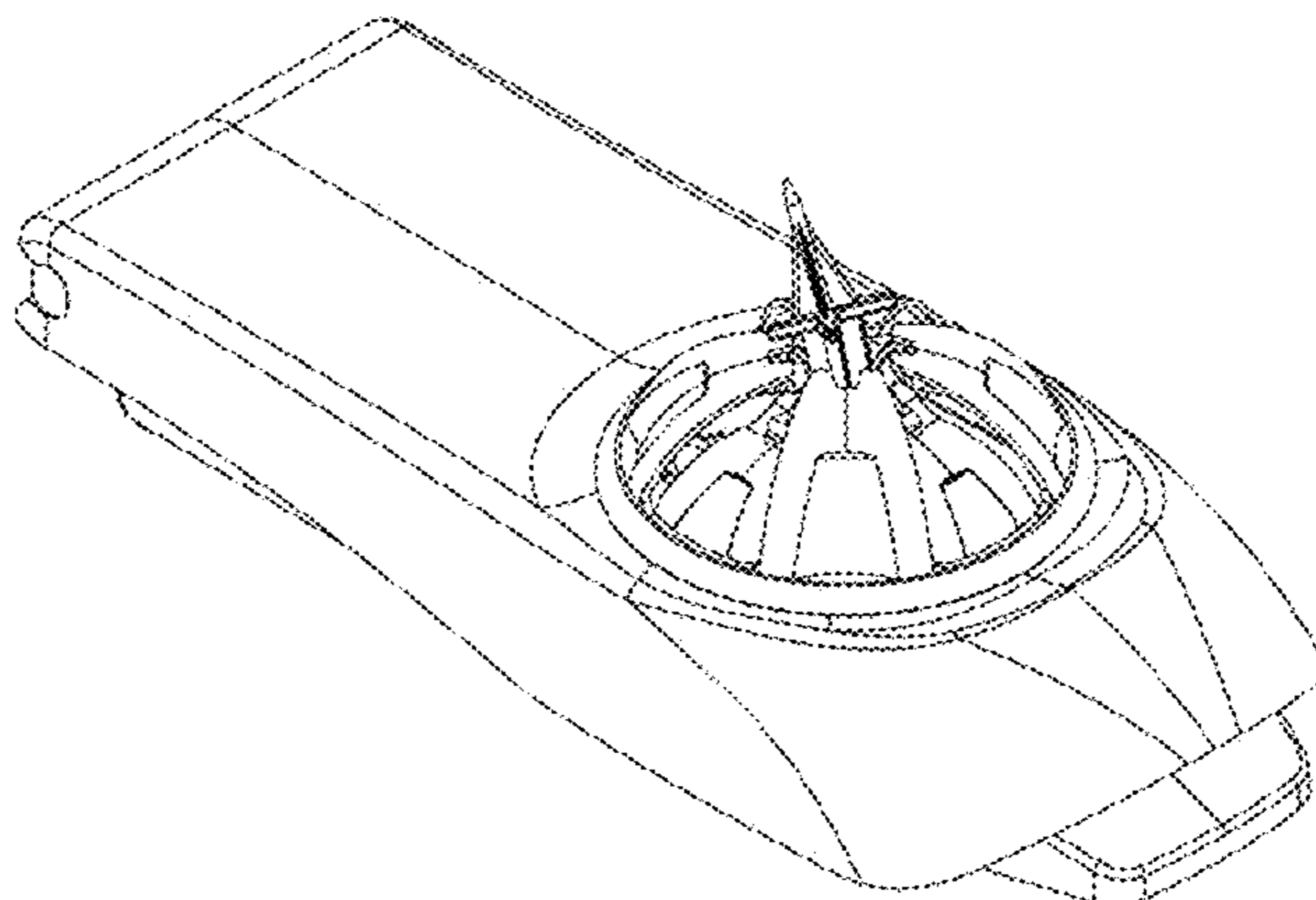
4,545,297 A 10/1985 Ihlow
4,738,195 A * 4/1988 Berube et al. 99/591
5,305,527 A * 4/1994 Holcomb 30/123.5
6,805,044 B1 * 10/2004 Yamamoto 99/537
7,086,155 B2 * 8/2006 Chan et al. 30/114

* cited by examiner

FIG. 1 is a perspective view of an onion peeler in a closed configuration showing our design;
FIG. 2 is another perspective view thereof;
FIG. 3 is a left side view thereof, the right side view being a mirror image thereof;
FIG. 4 is a top view thereof;
FIG. 5 is a bottom view thereof;
FIG. 6 is a front view thereof;
FIG. 7 is a rear view thereof;
FIG. 8 is a perspective view of the onion peeler in an open configuration;
FIG. 9 is another perspective view thereof;
FIG. 10 is a left side view of the onion peeler in a closed configuration and with a shaft component removed or in a stowed position;
FIG. 11 is a perspective view of a first main part of the onion peeler shown in isolation;
FIG. 12 is a top view thereof;
FIG. 13 is a perspective view of a second main part of the onion peeler shown in isolation;
FIG. 14 is a top view thereof;
FIG. 15 is a perspective view of a third main part of the onion peeler shown in isolation; and,
FIG. 16 is a top view thereof.

Primary Examiner — Terry Wallace

1 Claim, 12 Drawing Sheets



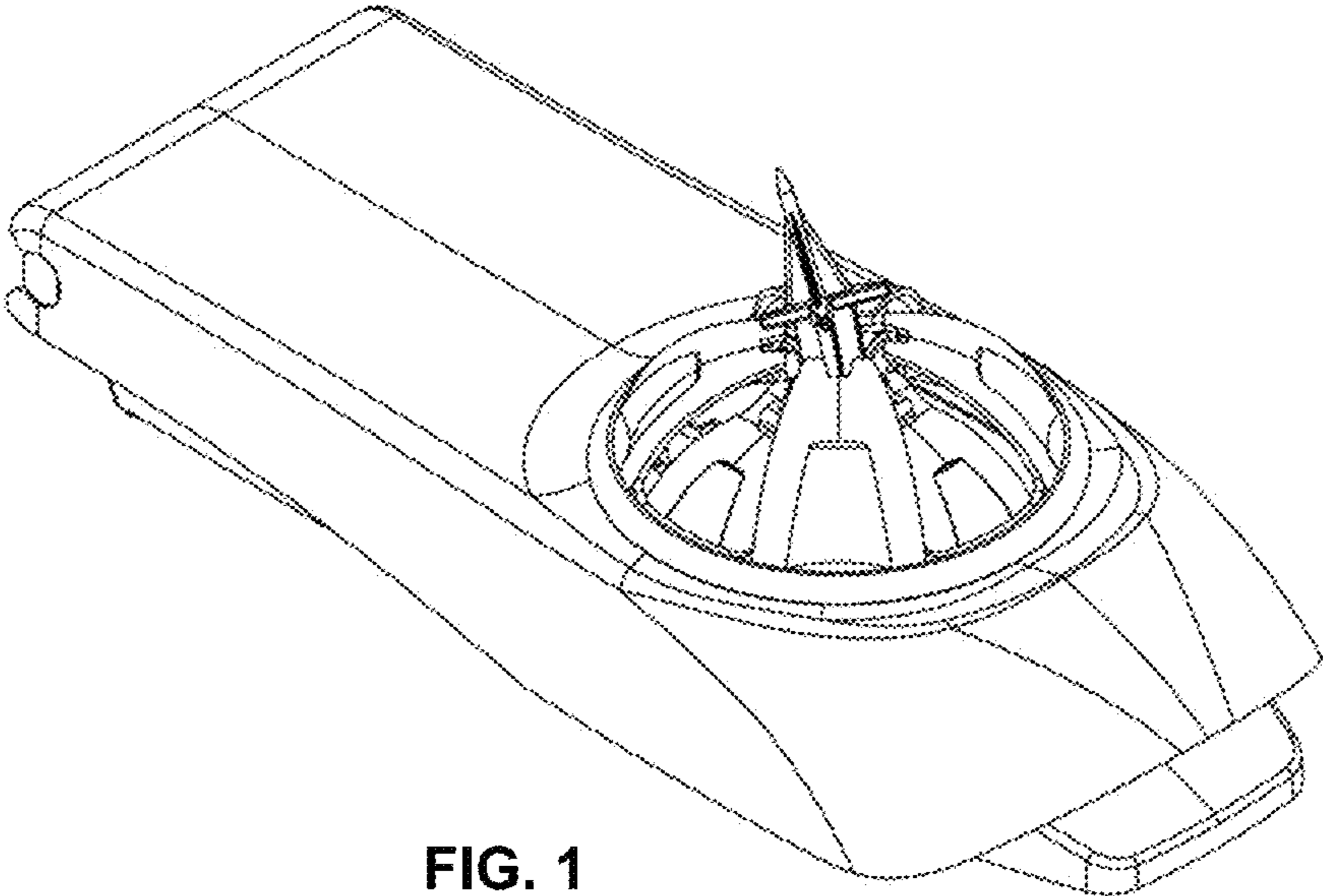
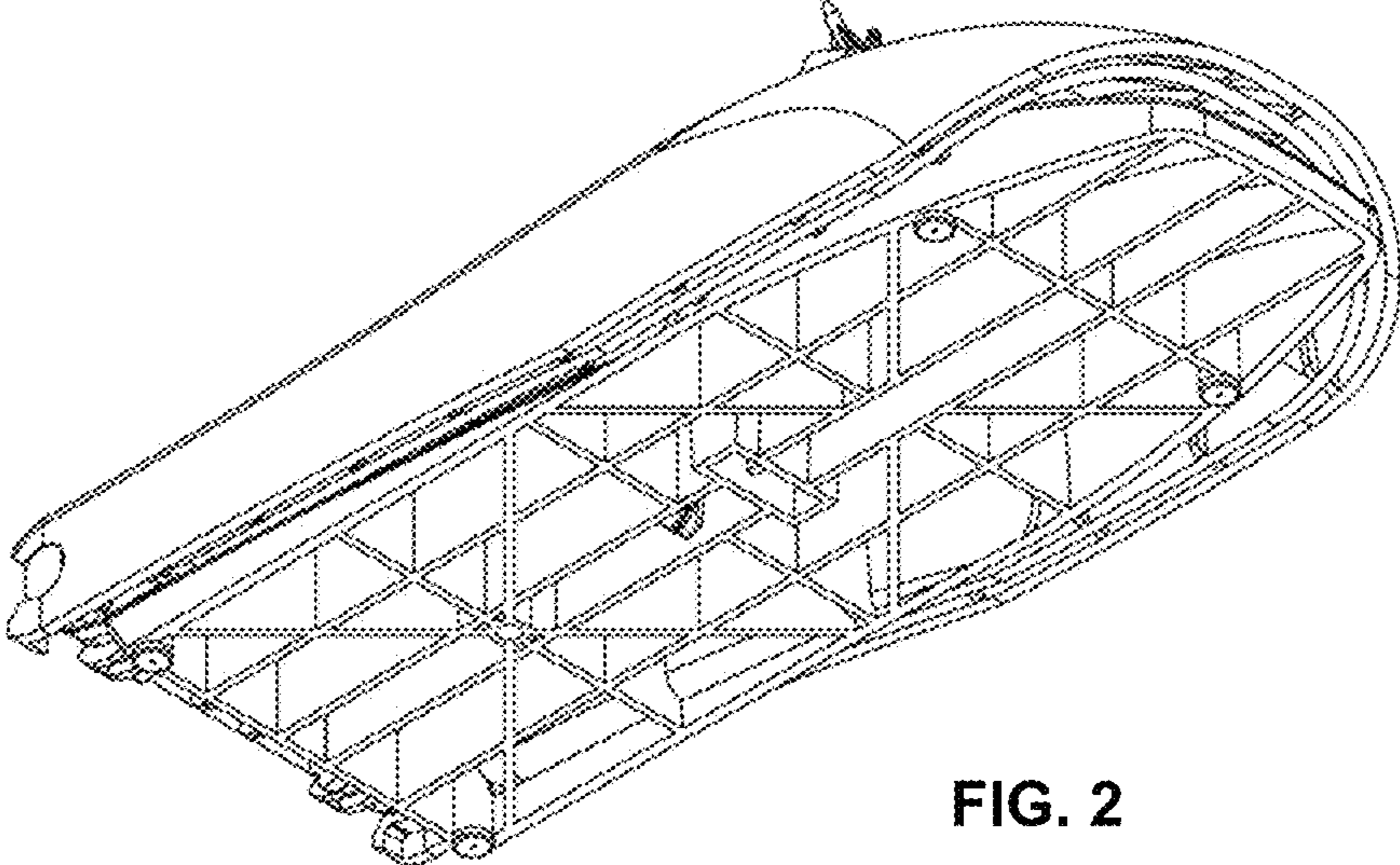


FIG. 1



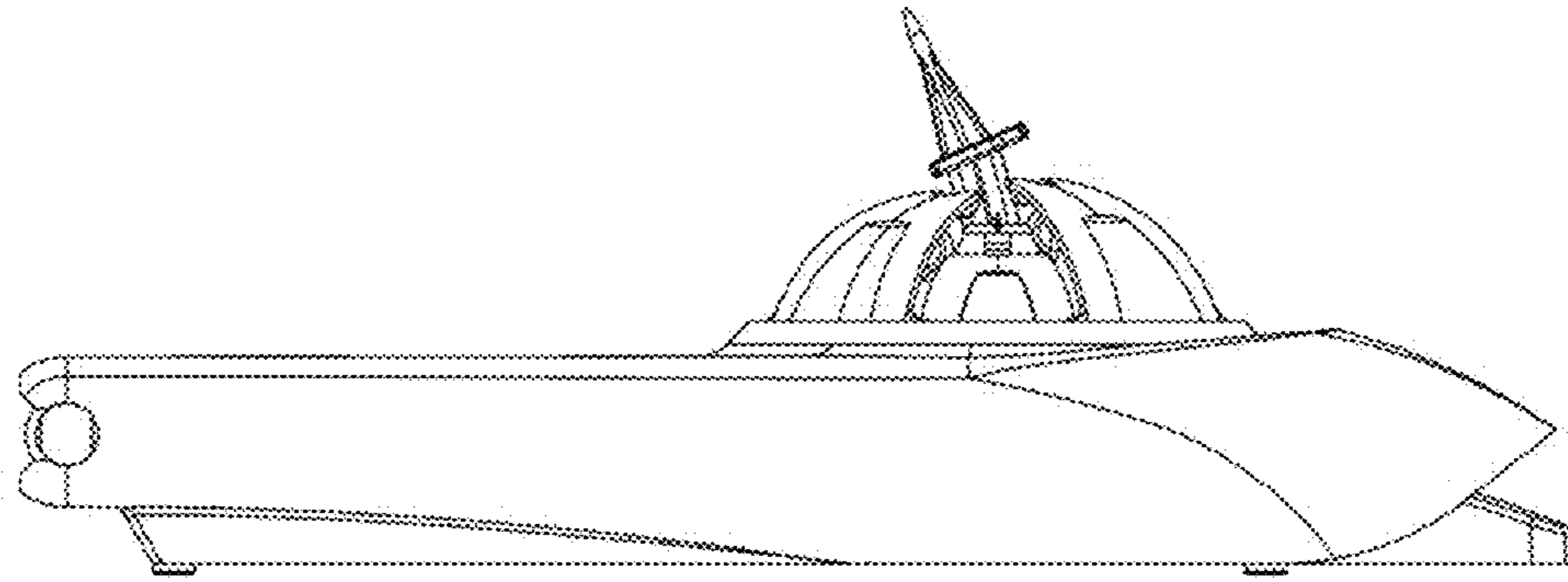


FIG. 3

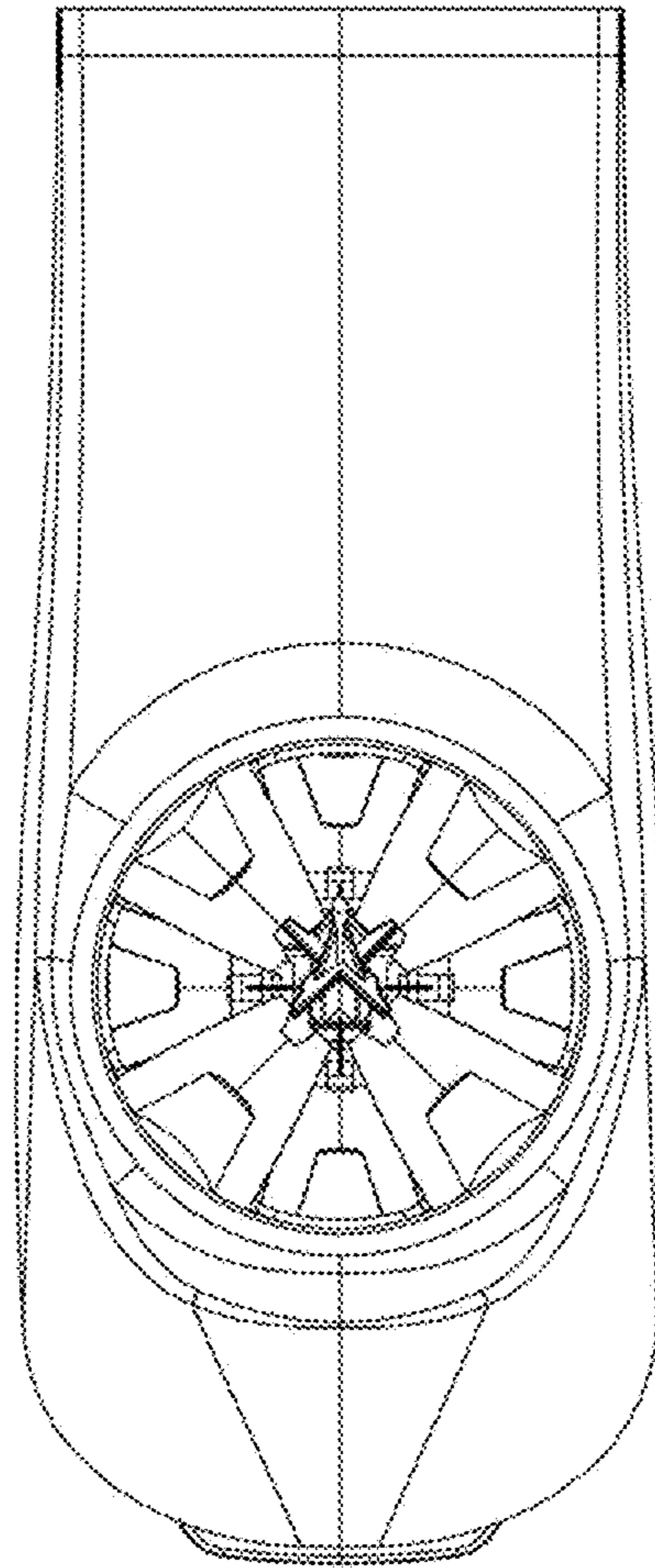


FIG. 4

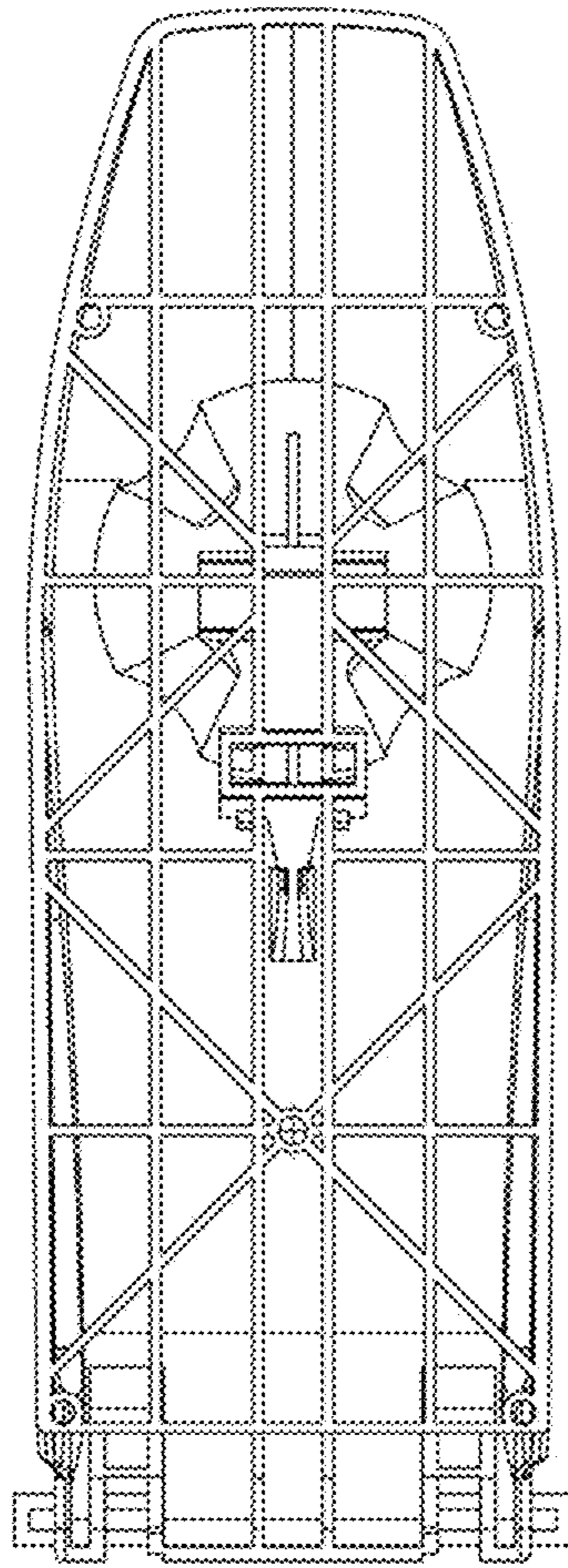


FIG. 5

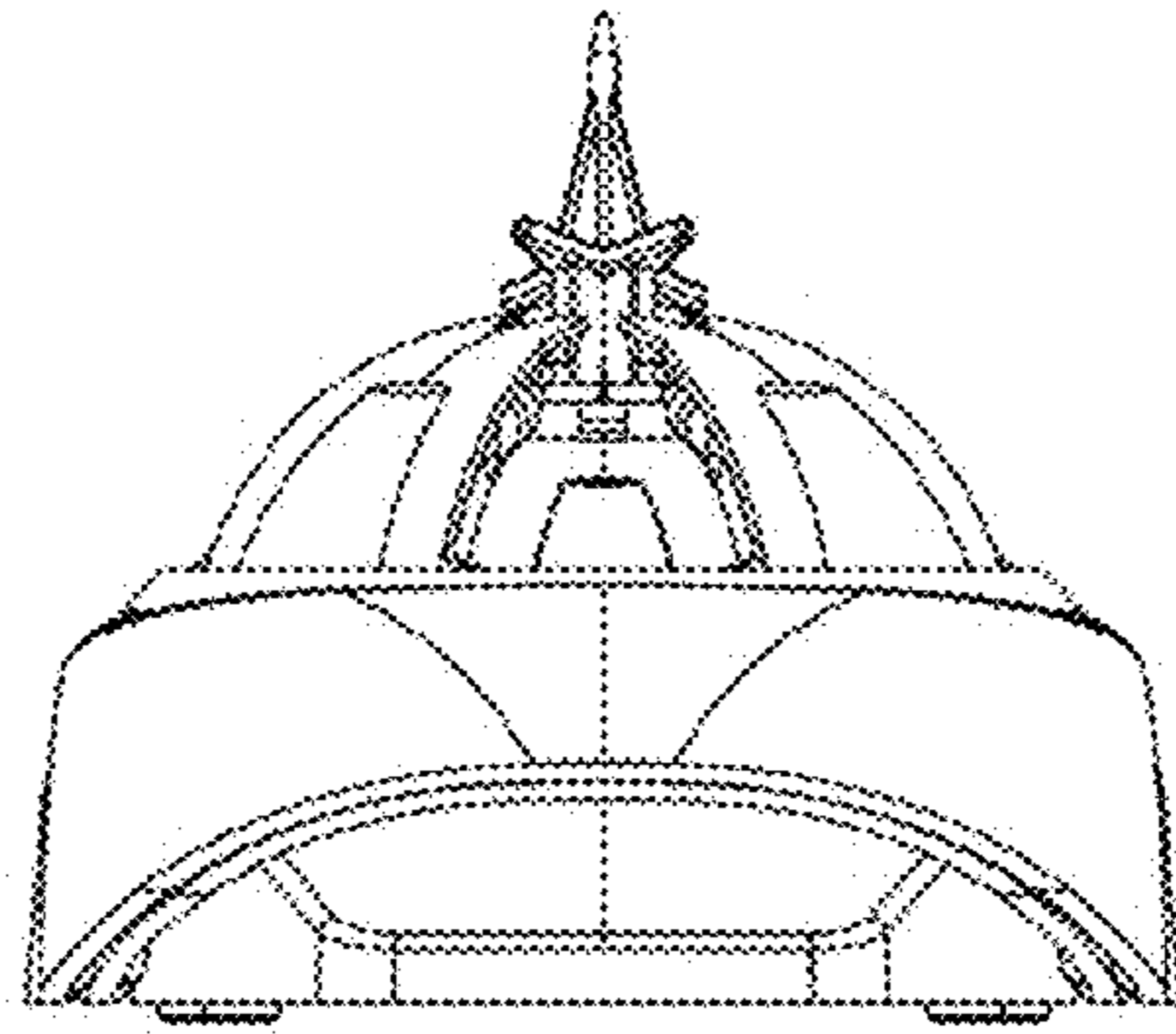


FIG. 6

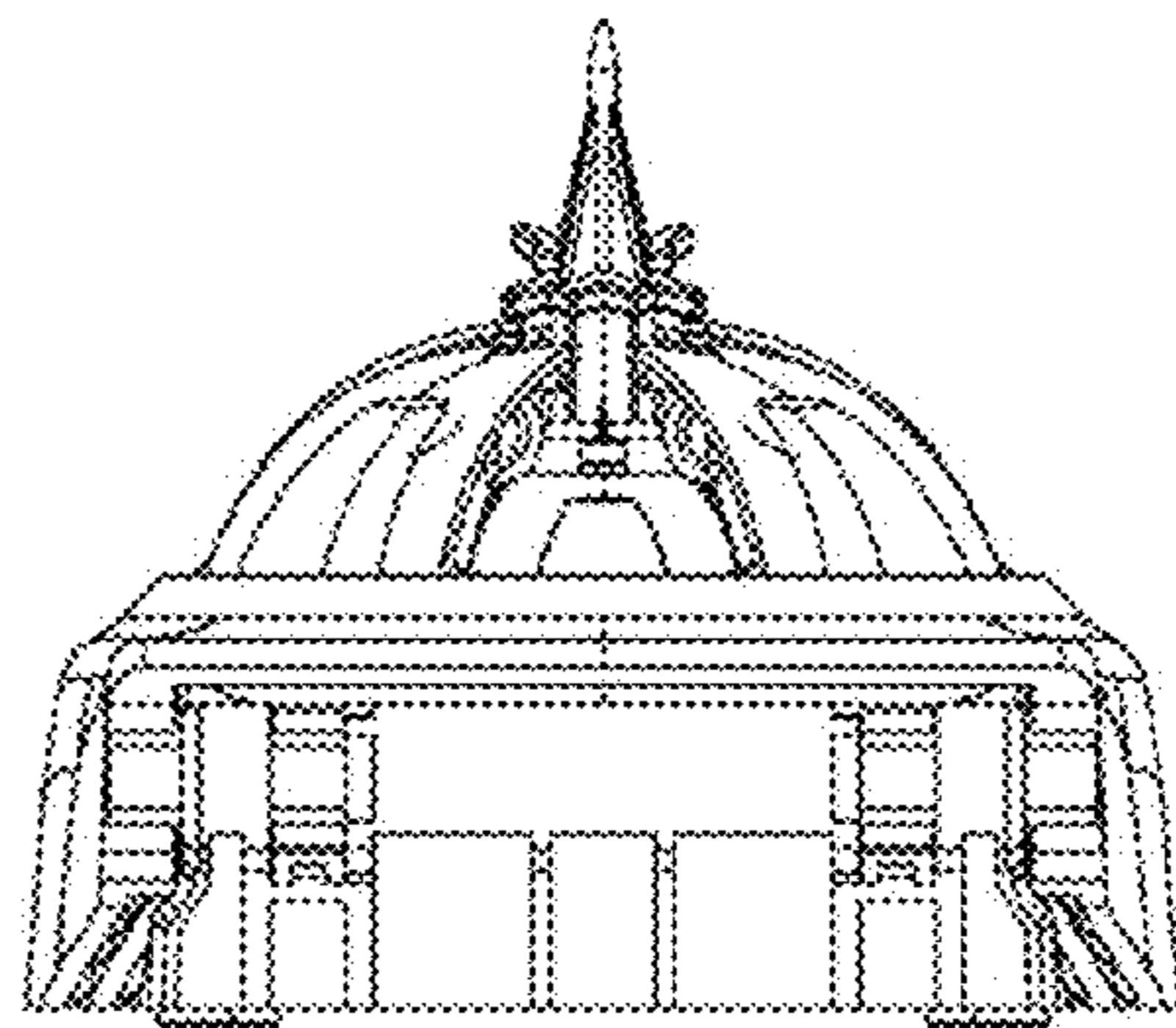


FIG. 7

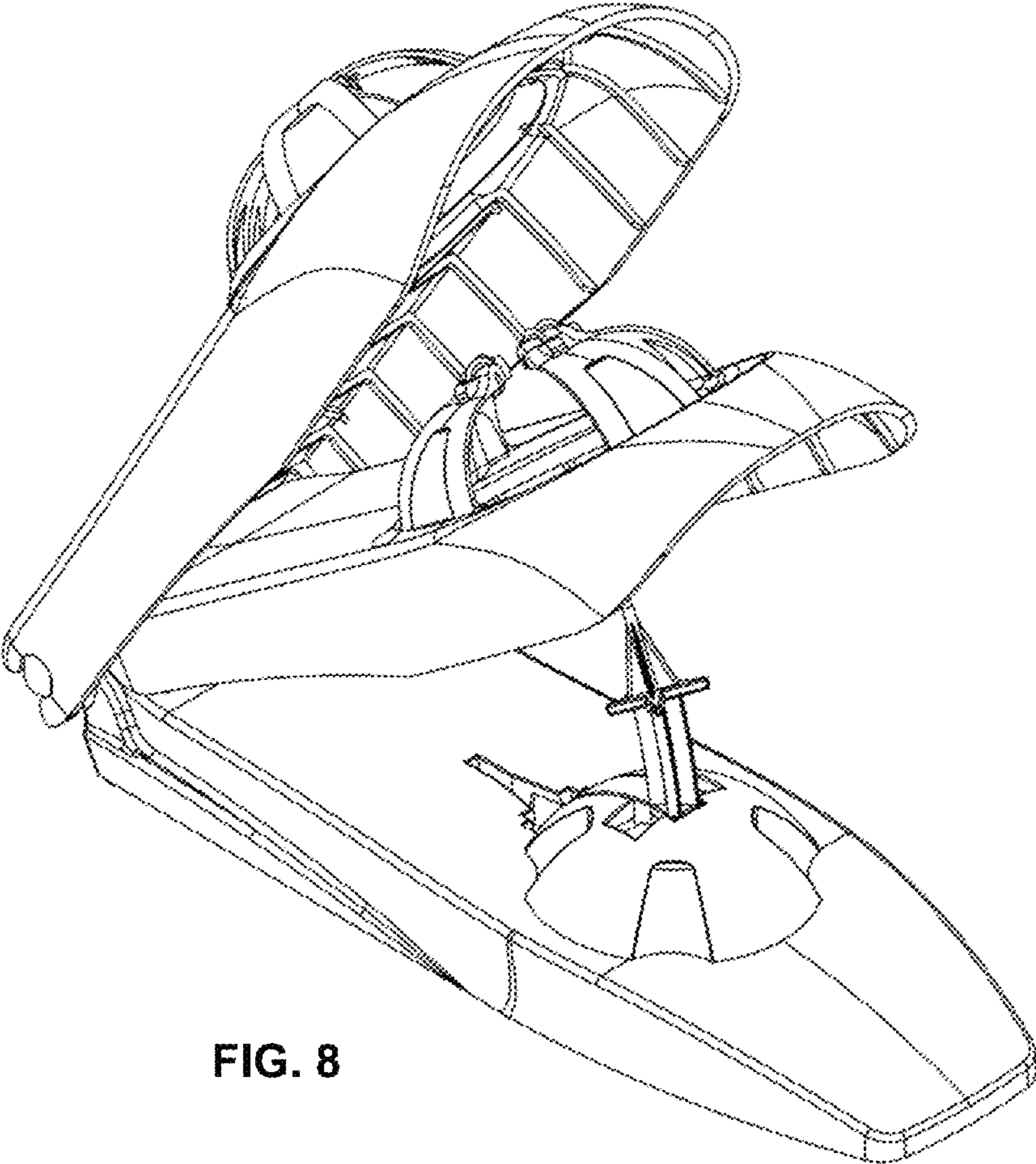


FIG. 8

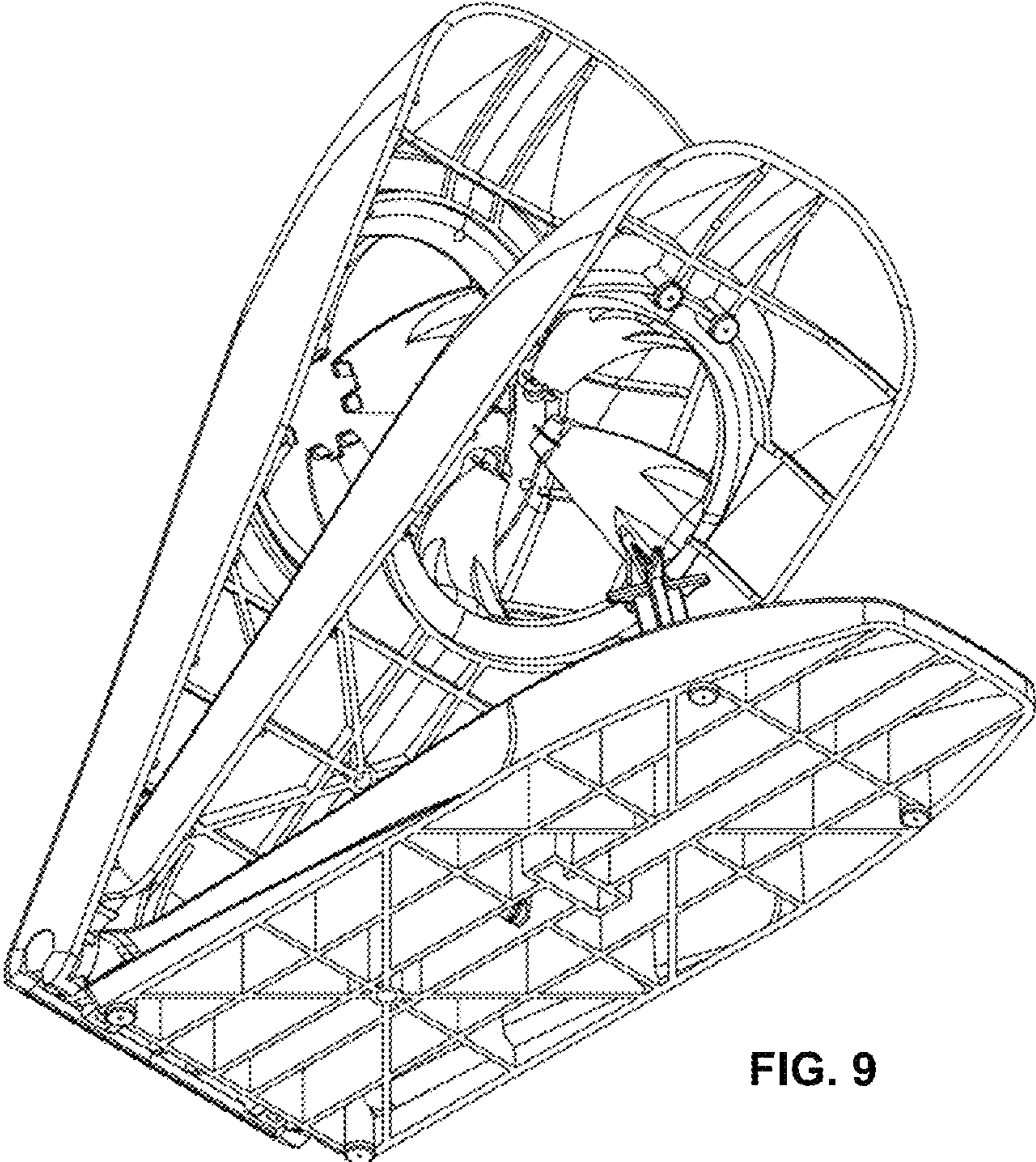


FIG. 9

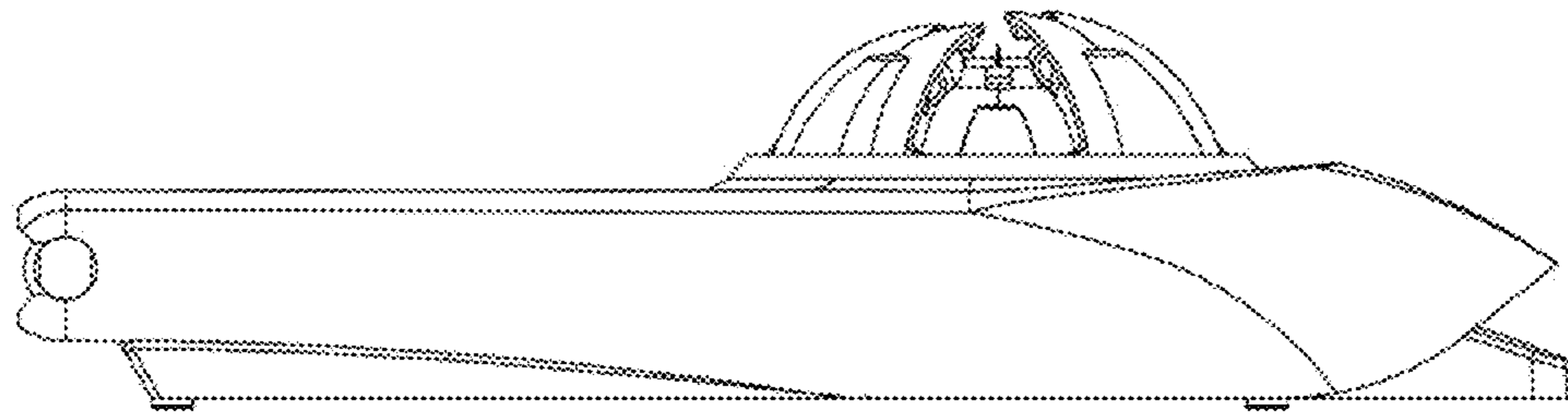


FIG. 10

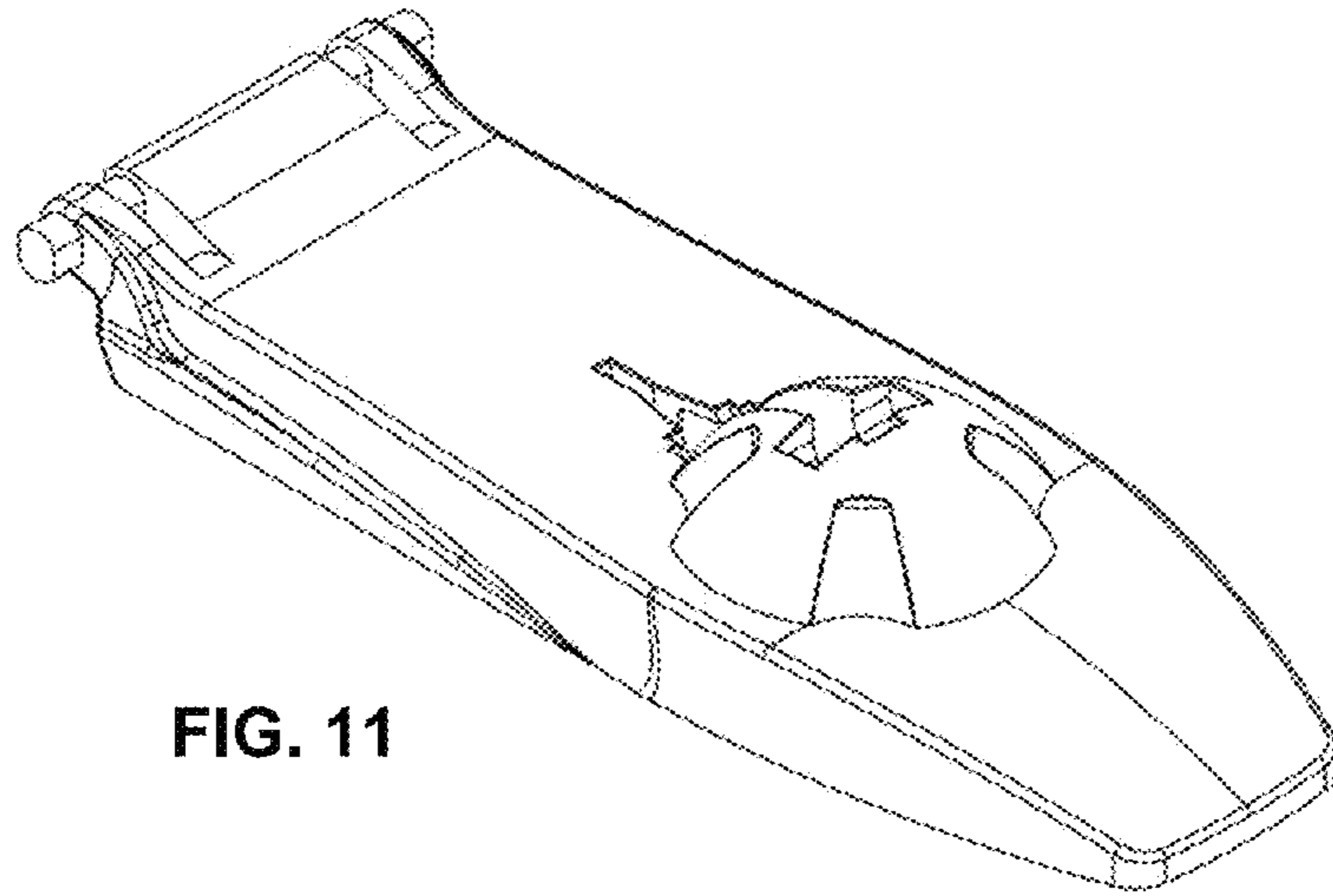


FIG. 11

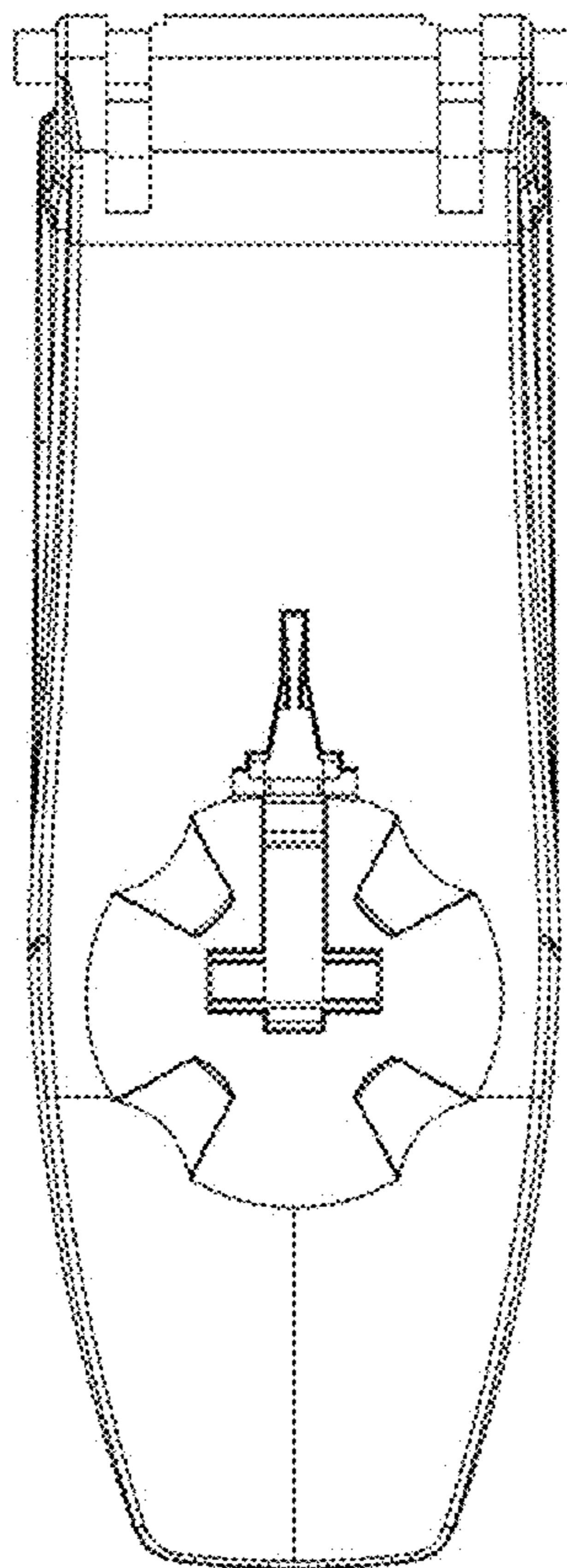


FIG. 12

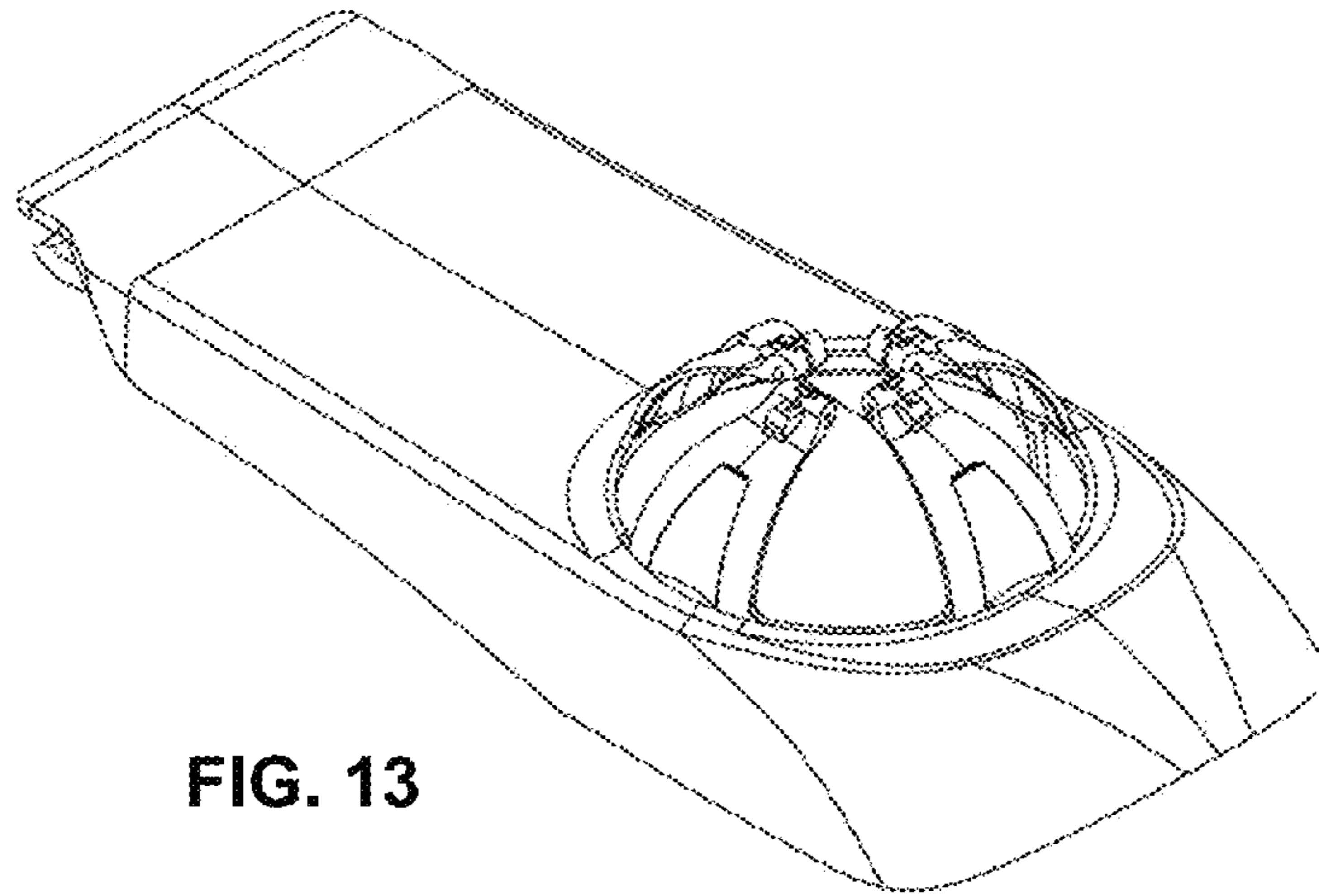


FIG. 13

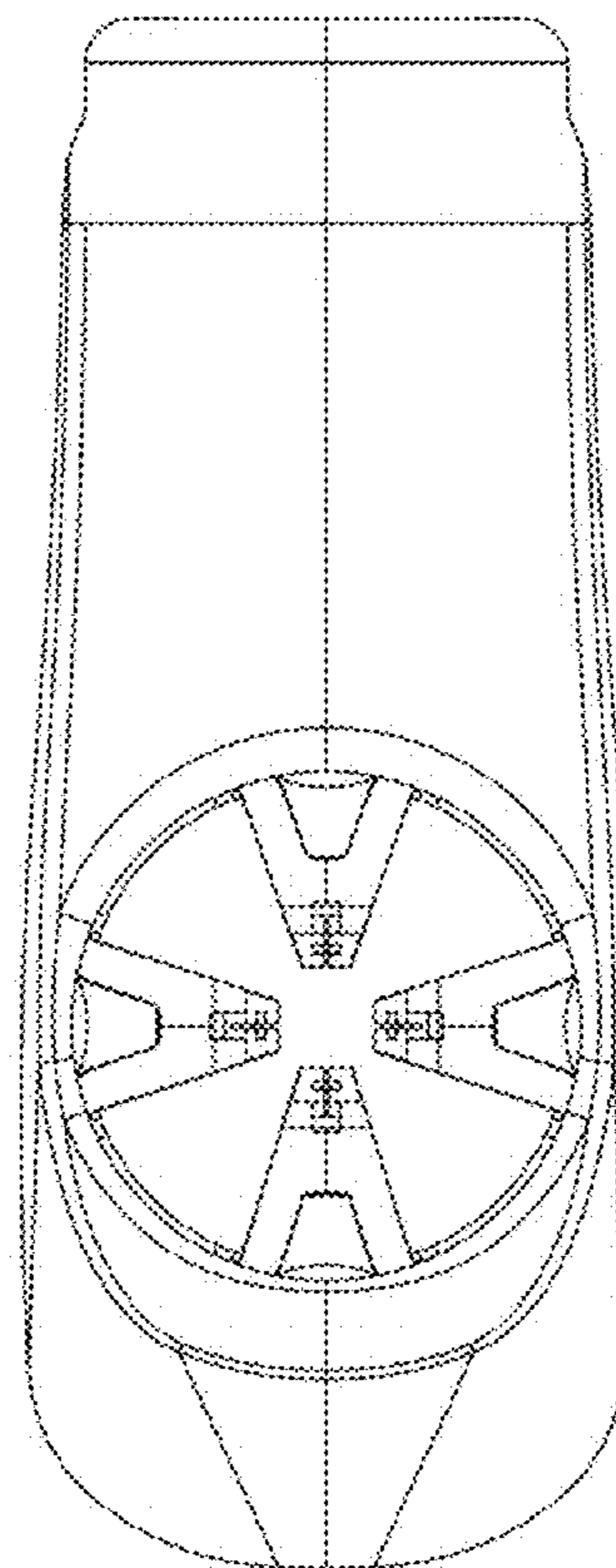


FIG. 14

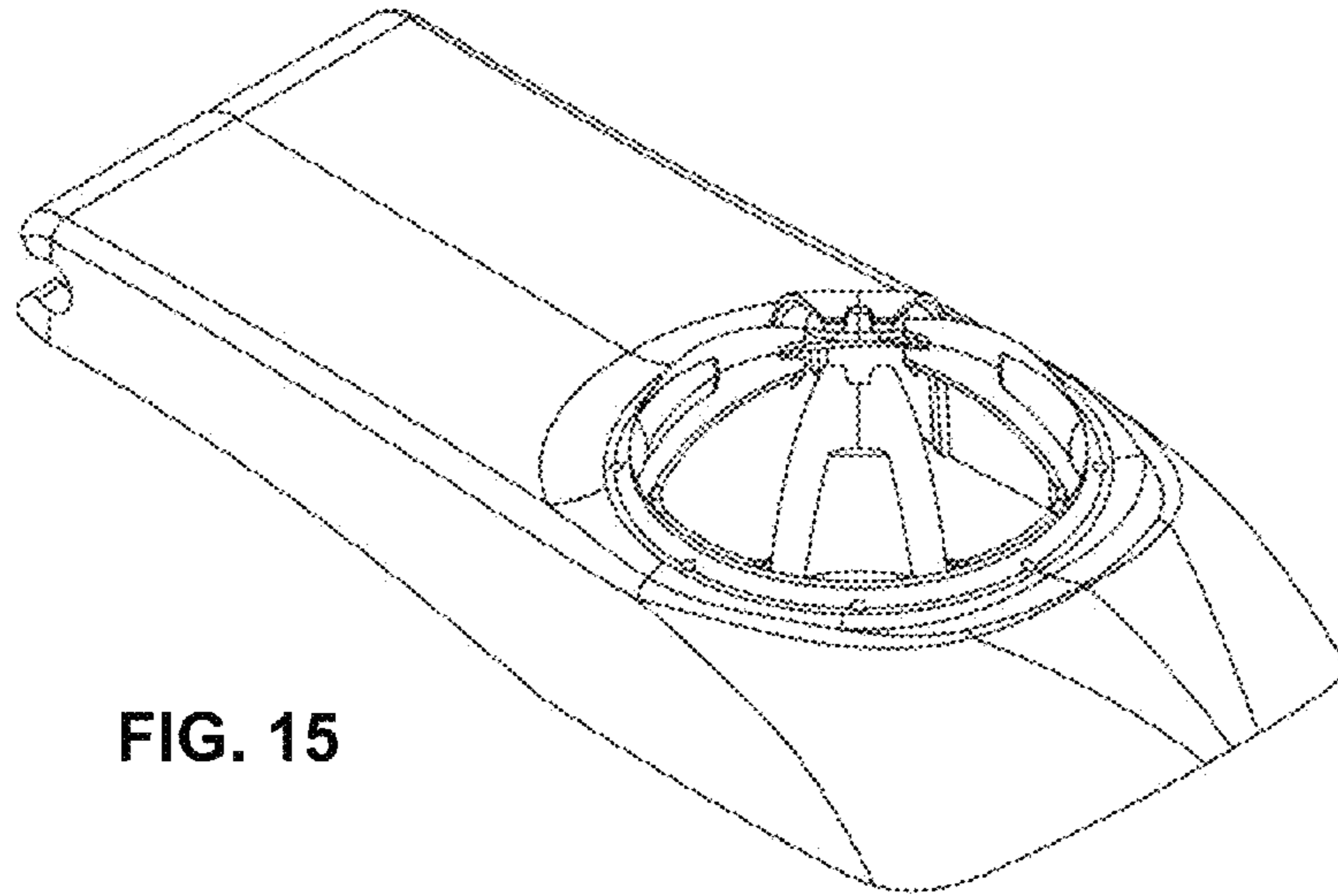


FIG. 15

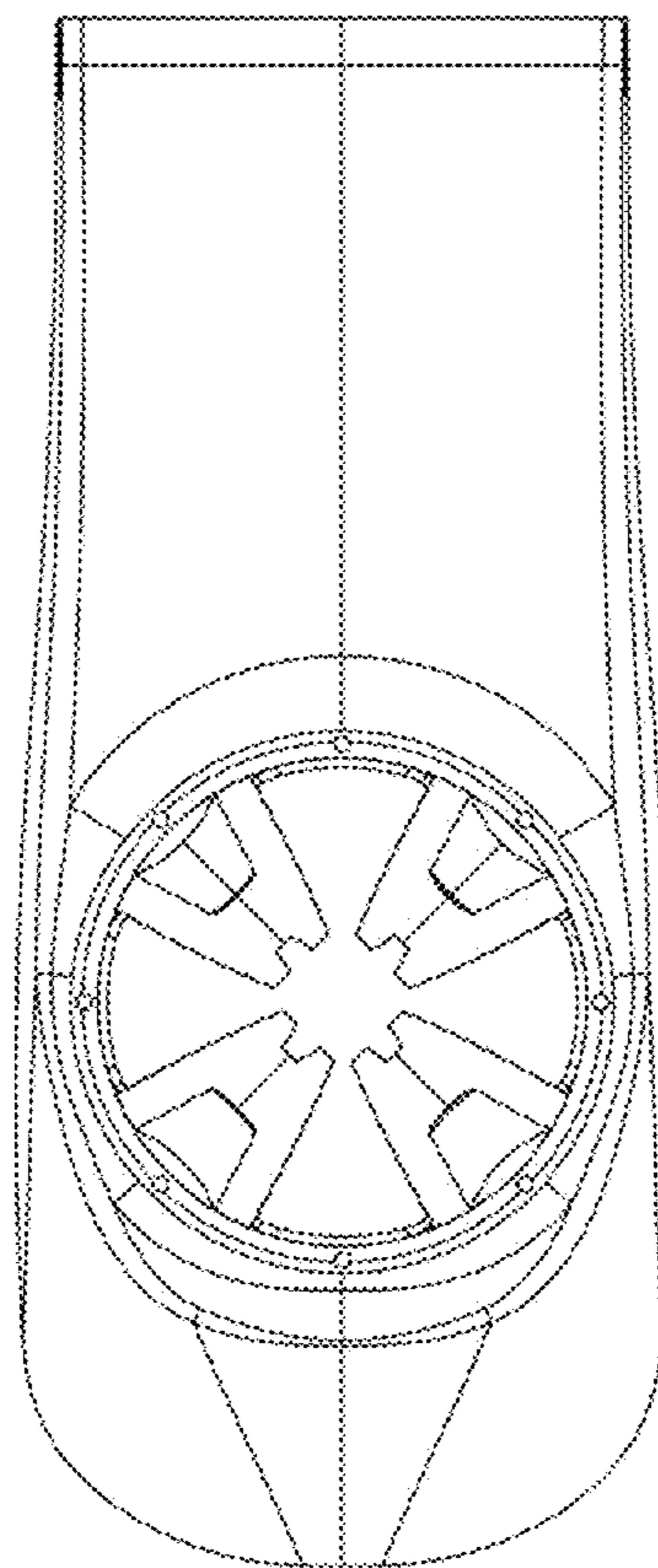


FIG. 16