



US00D668119S

(12) **United States Design Patent**  
**Everson**

(10) **Patent No.:** **US D668,119 S**  
(45) **Date of Patent:** **\*\* Oct. 2, 2012**

- (54) **CONTAINER WITH INTERNAL COMPARTMENT**
- (75) Inventor: **Keith S. Everson**, Hartford, WI (US)
- (73) Assignee: **Sussex IM, Inc.**, Sussex, WI (US)
- (\*\*) Term: **14 Years**
- (21) Appl. No.: **29/406,129**
- (22) Filed: **Nov. 10, 2011**

**Related U.S. Application Data**

- (63) Continuation of application No. 13/239,049, filed on Sep. 21, 2011, which is a continuation-in-part of application No. 12/963,469, filed on Dec. 8, 2010, which is a continuation-in-part of application No. 12/822,688, filed on Jun. 24, 2010.
- (51) **LOC (9) Cl.** ..... **07-07**
- (52) **U.S. Cl.** ..... **D7/629**
- (58) **Field of Classification Search** ..... D7/601, D7/602, 612-615, 629, 630, 538-542; D3/201, D3/203.1-203.8, 204-206, 273, 274, 294; 220/839, 837, 836, 324, 315, 810, 780-802, 220/675, 574-575, 573.1, 326, 236, 4.21, 220/4.24

See application file for complete search history.

(56) **References Cited**

**U.S. PATENT DOCUMENTS**

|             |         |                 |
|-------------|---------|-----------------|
| 3,900,106 A | 8/1975  | Cantales        |
| D241,820 S  | 10/1976 | Jewell          |
| 4,303,176 A | 12/1981 | Swartzbaugh     |
| 4,401,229 A | 8/1983  | Bell et al.     |
| D278,412 S  | 4/1985  | Yeung           |
| 4,951,866 A | 8/1990  | Rusnak          |
| 4,971,220 A | 11/1990 | Kaufman et al.  |
| 5,012,928 A | 5/1991  | Proffitt et al. |
| D327,220 S  | 6/1992  | Proffitt et al. |
| 5,204,130 A | 4/1993  | McDevitt et al. |
| 5,300,748 A | 4/1994  | Colombo         |
| D354,435 S  | 1/1995  | Krupa           |

|              |         |                         |
|--------------|---------|-------------------------|
| 5,474,199 A  | 12/1995 | Julius et al.           |
| D367,211 S * | 2/1996  | Cautereels ..... D7/629 |
| 5,906,292 A  | 5/1999  | Rider, Jr.              |
| 5,920,916 A  | 7/1999  | Norton                  |
| 5,938,068 A  | 8/1999  | Atkins et al.           |
| 5,960,987 A  | 10/1999 | Solland et al.          |
| 6,042,000 A  | 3/2000  | Kawamoto                |
| 6,102,231 A  | 8/2000  | Rider, Jr. et al.       |
| 6,164,488 A  | 12/2000 | Solland et al.          |

(Continued)

**FOREIGN PATENT DOCUMENTS**

WO WO 89/03351 4/1989

(Continued)

**OTHER PUBLICATIONS**

U.S. Appl. No. 29/406,115, filed Nov. 10, 2011, Everson.

(Continued)

*Primary Examiner* — Terry Wallace

(74) *Attorney, Agent, or Firm* — Reinhart Boerner Van Deuren P.C.

(57) **CLAIM**

I claim the ornamental design for the container with internal compartment, as shown and described.

**DESCRIPTION**

FIG. 1 is a top perspective view of the container with internal compartment:

FIG. 2 is a top perspective view thereof in an open configuration;

FIG. 3 is a bottom perspective view thereof;

FIG. 4 is a side view thereof;

FIG. 5 is a top view thereof;

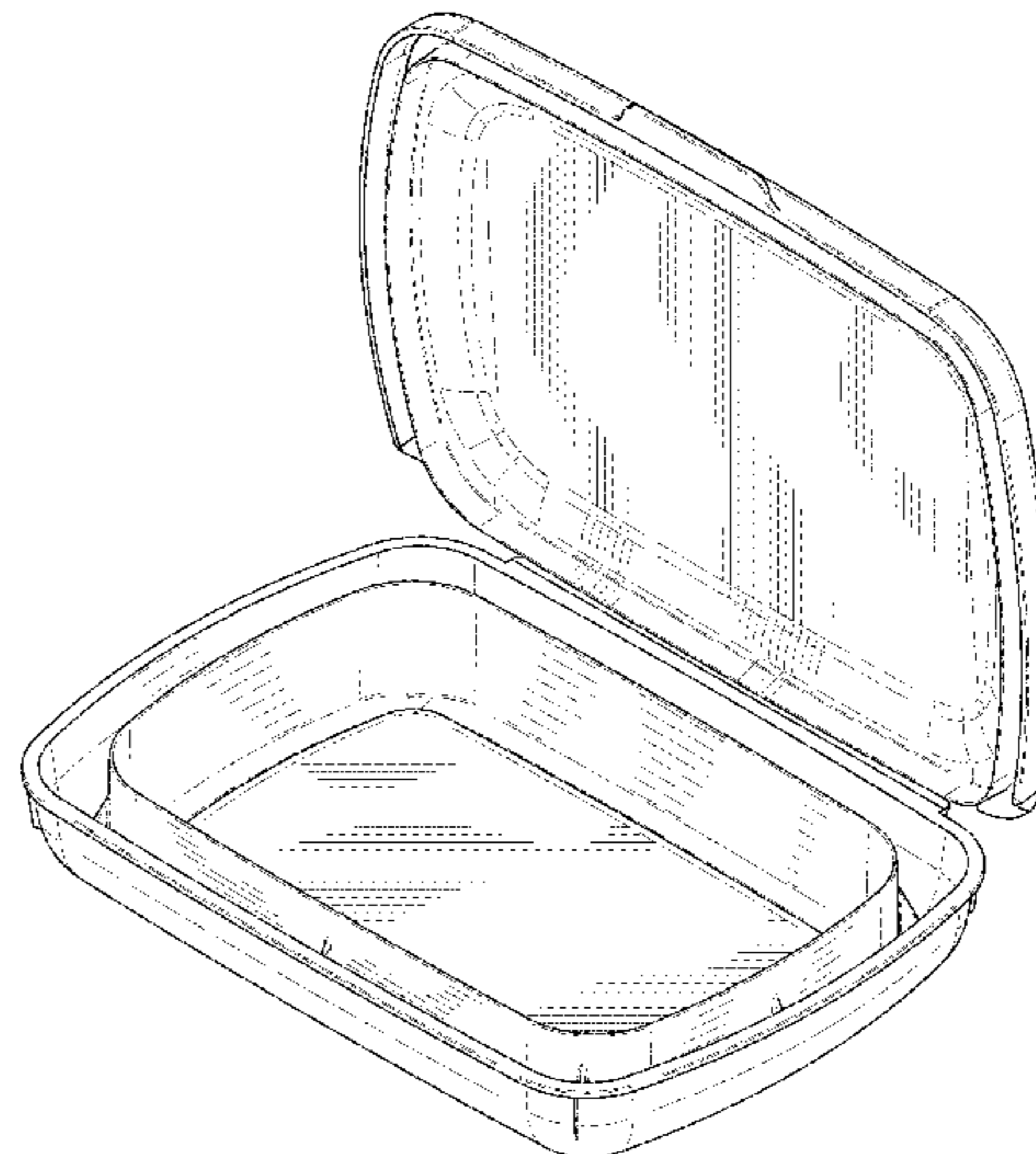
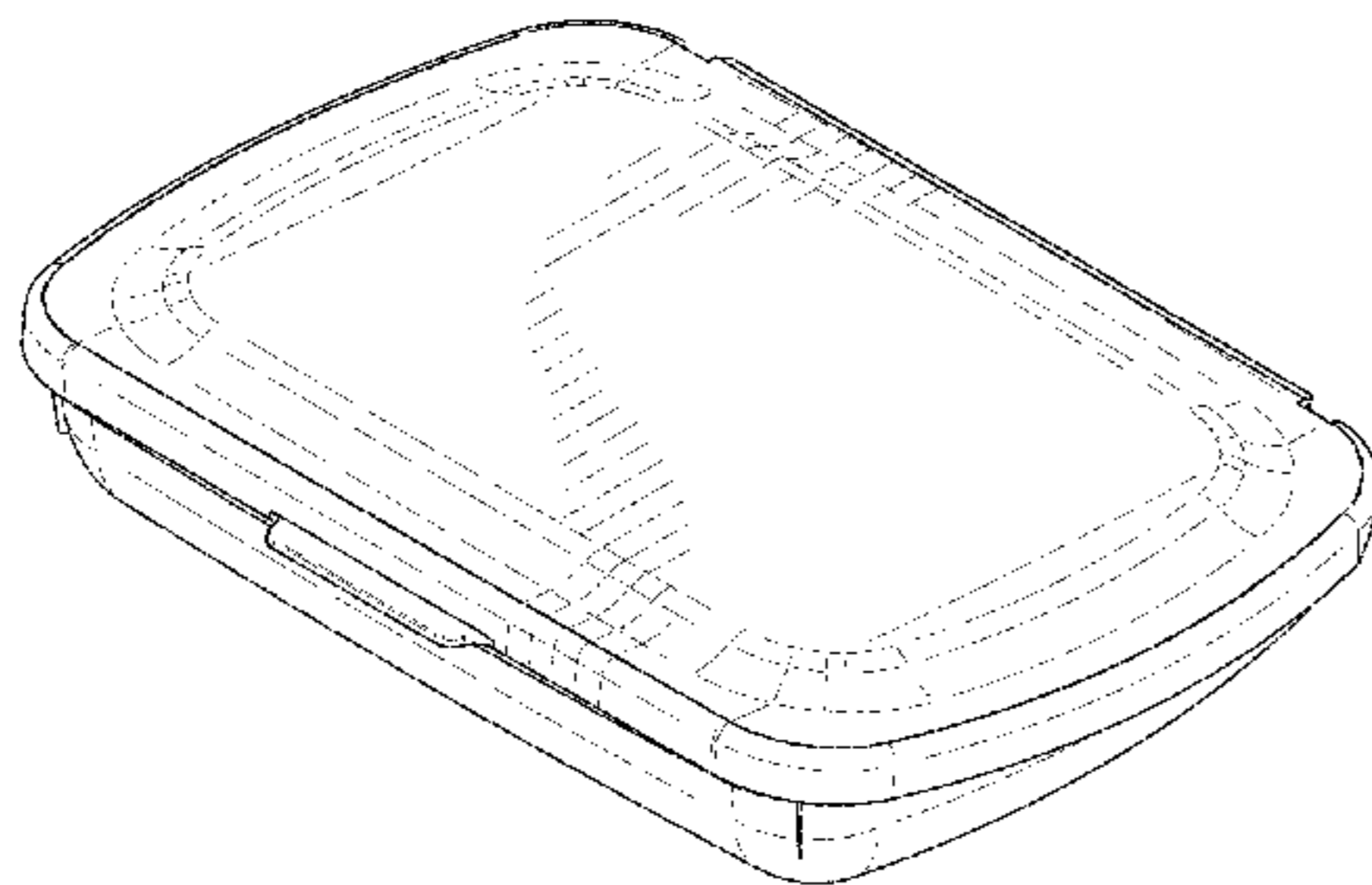
FIG. 6 is a side view thereof showing the side opposite that shown in FIG. 4

FIG. 7 is a front view thereof;

FIG. 8 is a bottom view thereof; and,

FIG. 9 is a back view thereof.

**1 Claim, 5 Drawing Sheets**



# US D668,119 S

Page 2

## U.S. PATENT DOCUMENTS

6,176,420 B1 1/2001 Sarson et al.  
D457,428 S 5/2002 Fowler et al.  
6,409,034 B2 6/2002 Schorner  
6,554,147 B1 4/2003 Maida, Jr. et al.  
6,592,504 B2 7/2003 Sarson et al.  
6,609,623 B2 8/2003 Chou  
D484,797 S 1/2004 Kipperman et al.  
D489,254 S 5/2004 Kocis et al.  
6,758,390 B2 7/2004 Sarson et al.  
D495,209 S 8/2004 Tranfaglia et al.  
6,793,096 B1 \* 9/2004 Seok ..... 220/788  
6,955,289 B2 10/2005 Green  
6,962,263 B2 11/2005 Cadiente et al.  
6,981,607 B2 1/2006 Lown et al.  
7,090,089 B2 \* 8/2006 Lown et al. .... 220/324  
7,104,416 B2 9/2006 Gasco et al.  
7,246,714 B2 7/2007 Garg et al.  
D551,515 S 9/2007 Ablo et al.  
7,284,673 B2 10/2007 Habeger et al.  
D562,128 S 2/2008 van de Velde  
D571,617 S \* 6/2008 Di Serio et al. .... D7/629  
7,398,892 B2 7/2008 Bouie  
7,398,893 B2 7/2008 Bouie  
D577,579 S 9/2008 Lymn et al.  
7,419,067 B2 9/2008 Bouie et al.  
D585,735 S 2/2009 Vovan et al.

D587,993 S 3/2009 Vovan  
D591,148 S 4/2009 Parikh et al.  
7,597,206 B2 10/2009 Atkins et al.  
D618,516 S \* 6/2010 DiPietro et al. .... D7/629  
D631,299 S \* 1/2011 Samartgis ..... D7/602  
D633,756 S \* 3/2011 Bago et al. .... D7/629  
2003/0010783 A1 \* 1/2003 Prezelin ..... 220/324  
2004/0134910 A1 7/2004 Colombo  
2004/0211823 A1 10/2004 Sarson et al.  
2005/0035125 A1 \* 2/2005 Bae ..... 220/326  
2007/0012710 A1 1/2007 Vovan  
2007/0045317 A1 3/2007 Rosender et al.  
2009/0134180 A1 5/2009 Kidd et al.  
2009/0223969 A1 9/2009 Bouie  
2011/0315701 A1 12/2011 Everson  
2011/0315704 A1 12/2011 Everson  
2012/0012602 A1 1/2012 Everson

## FOREIGN PATENT DOCUMENTS

WO WO 91/07329 5/1991

## OTHER PUBLICATIONS

U.S. Appl. No. 29/406,121, filed Nov. 10, 2011, Everson.  
U.S. Appl. No. 29/406,126, filed Nov. 10, 2010, Everson.

\* cited by examiner

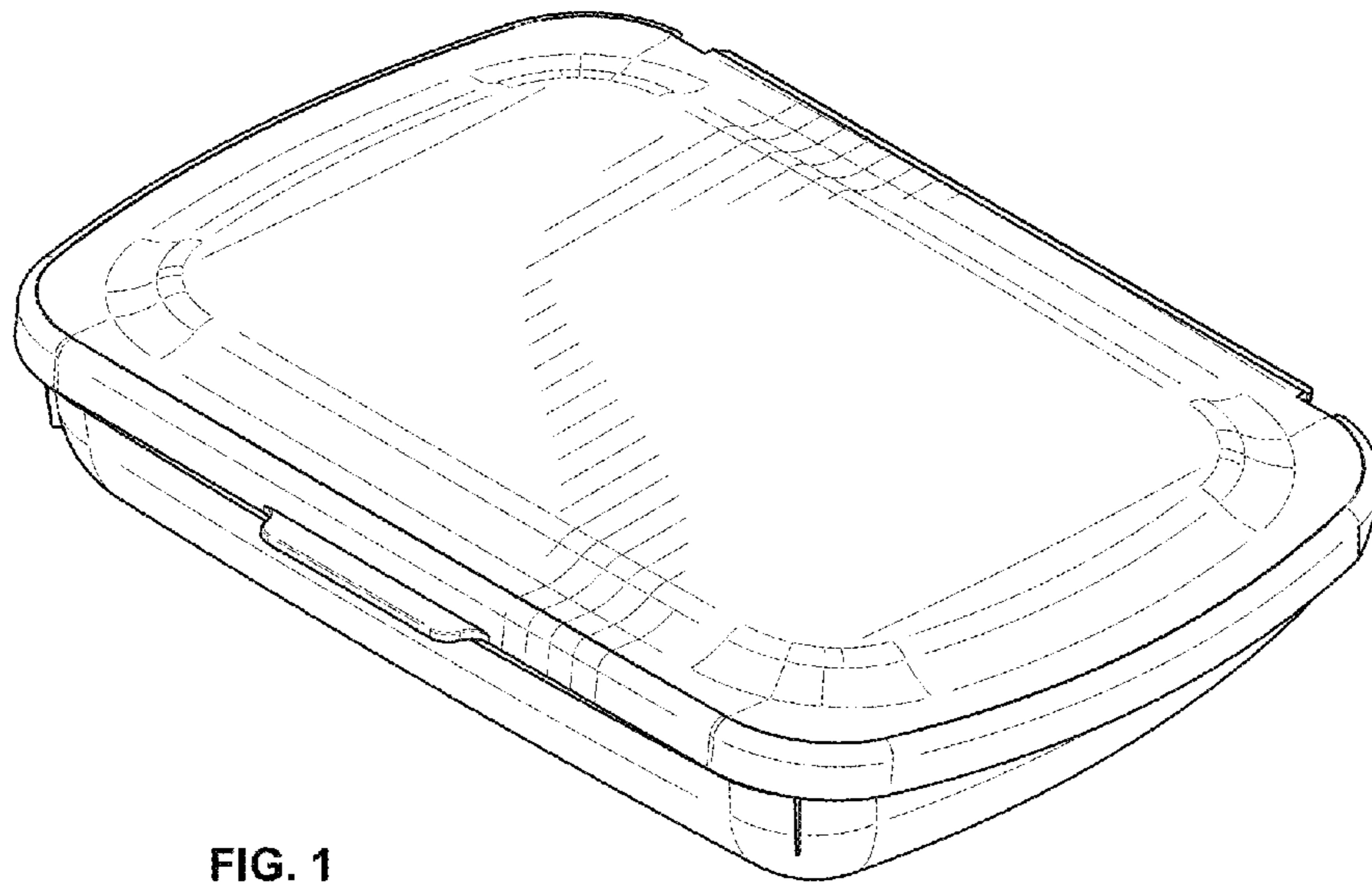
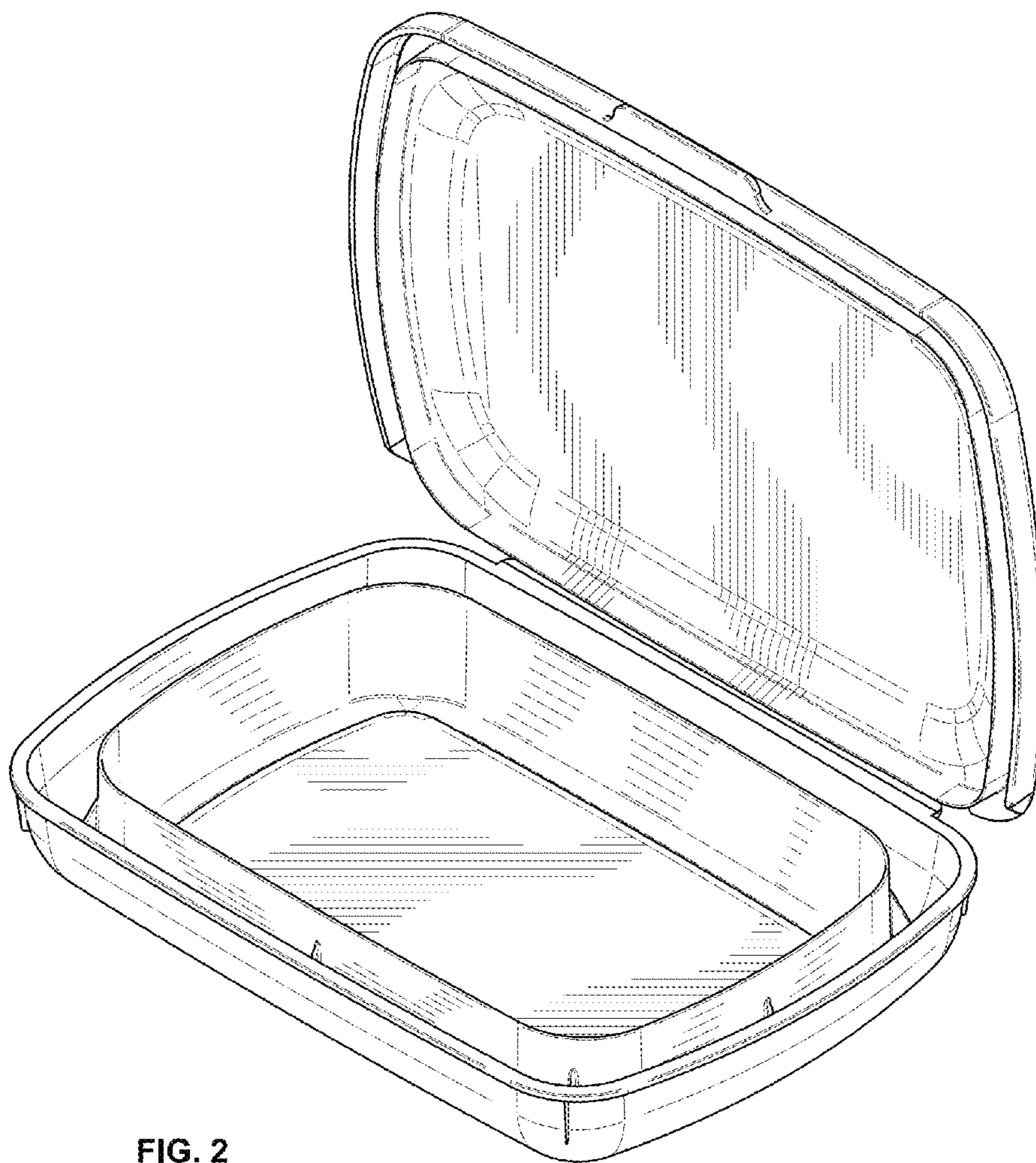


FIG. 1



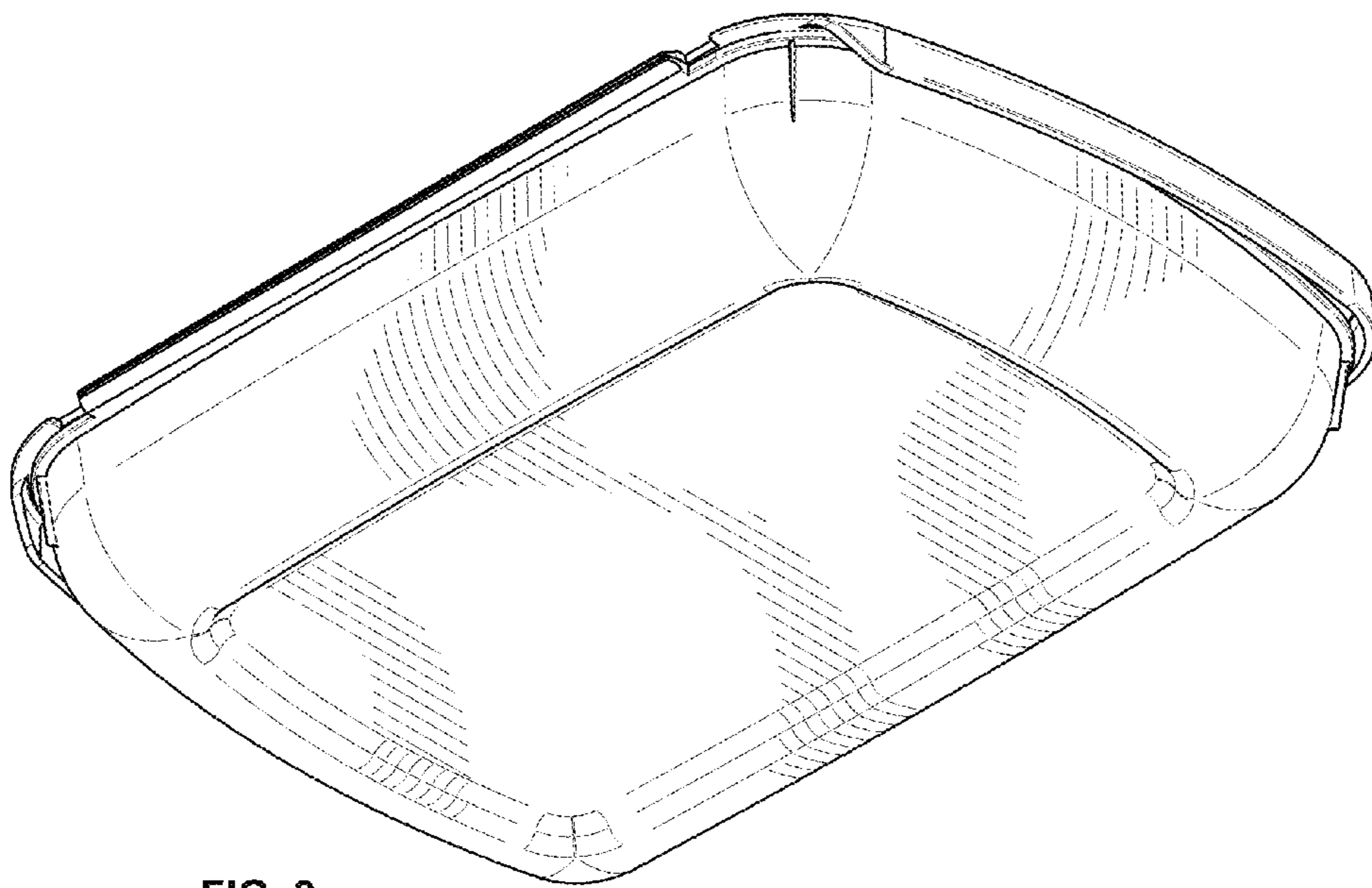


FIG. 3

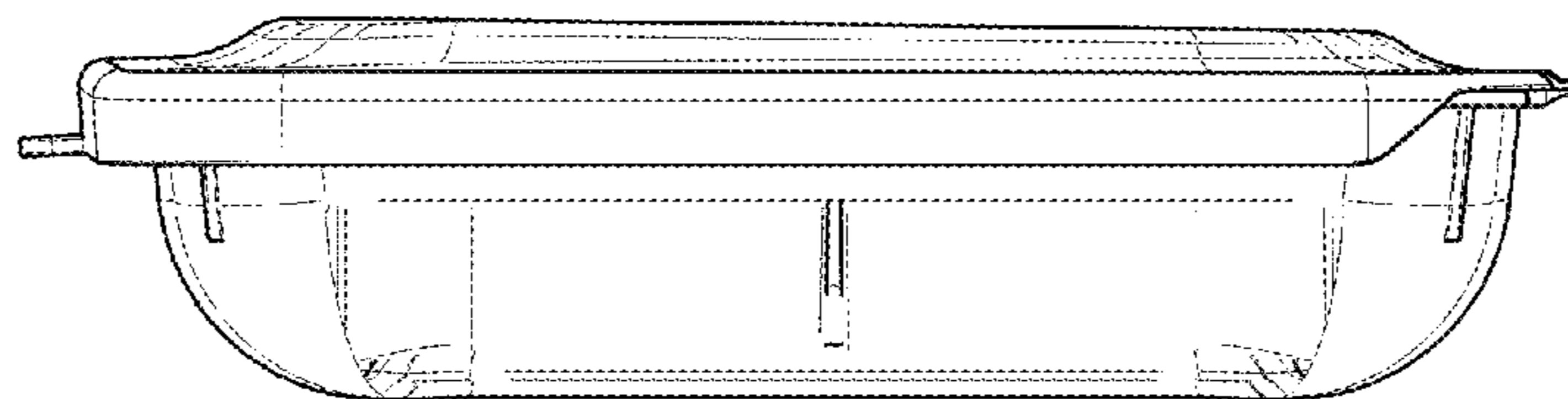


FIG. 4

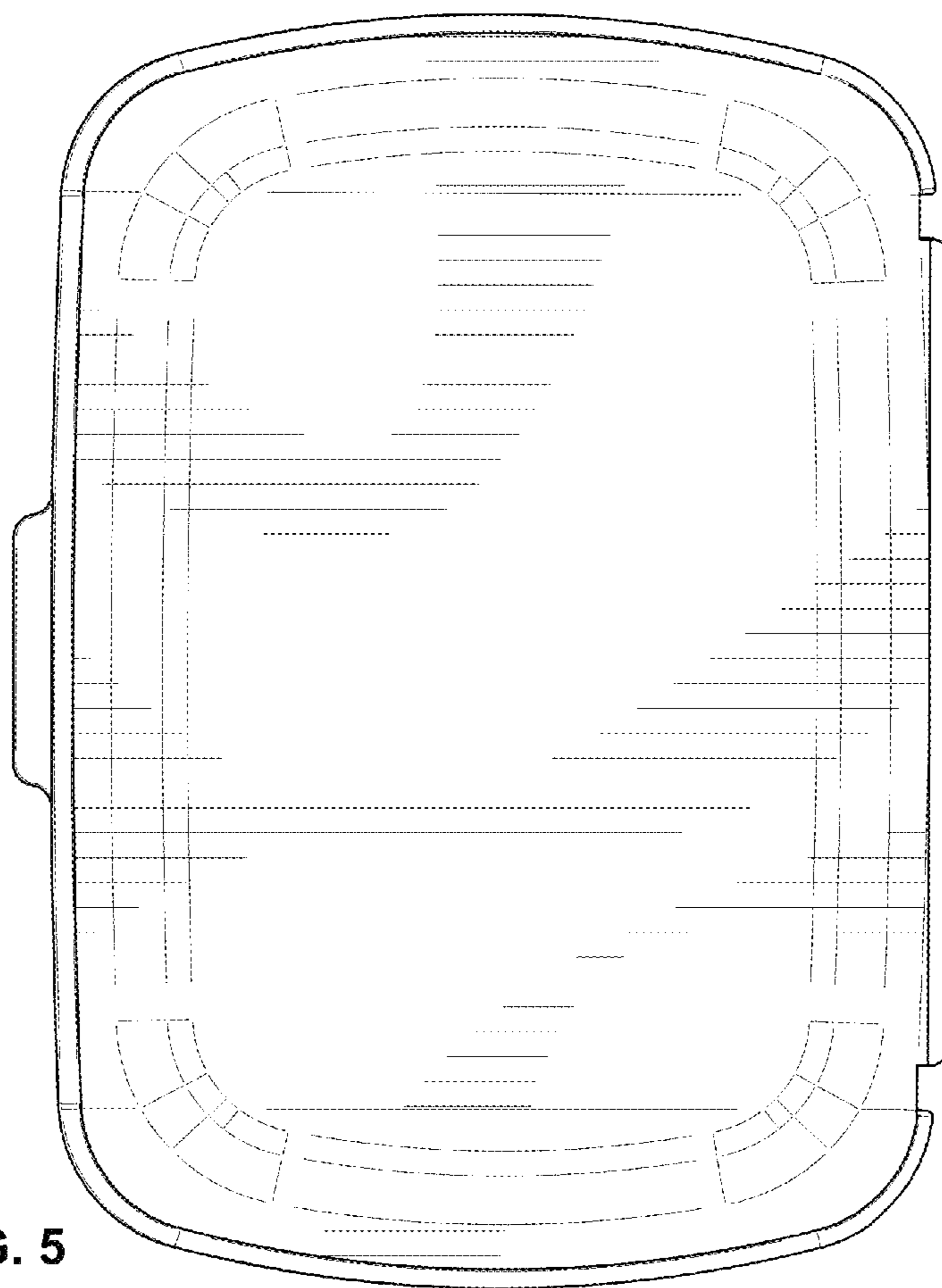


FIG. 5

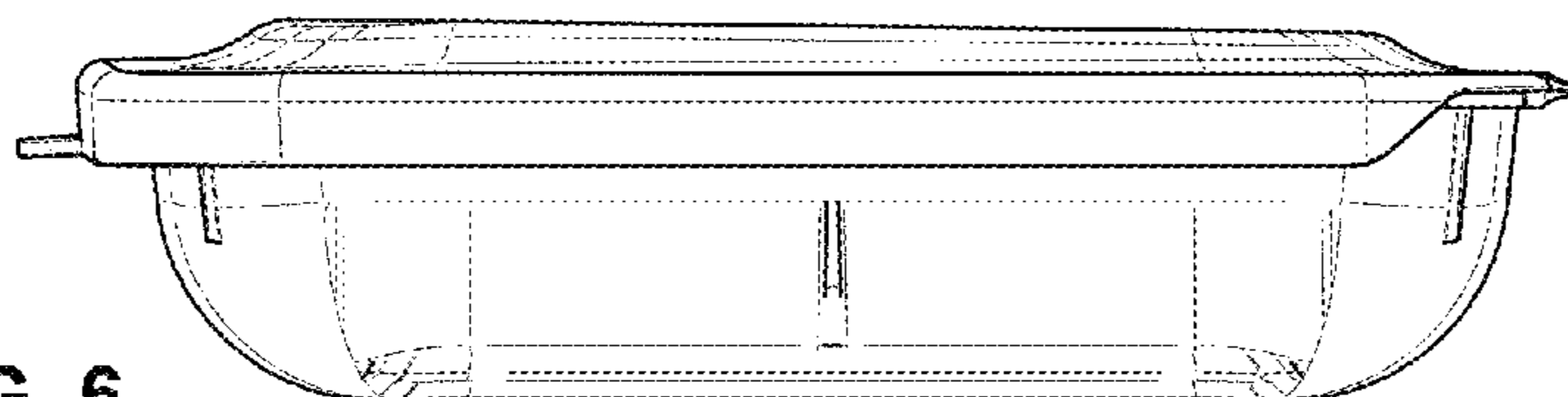


FIG. 6

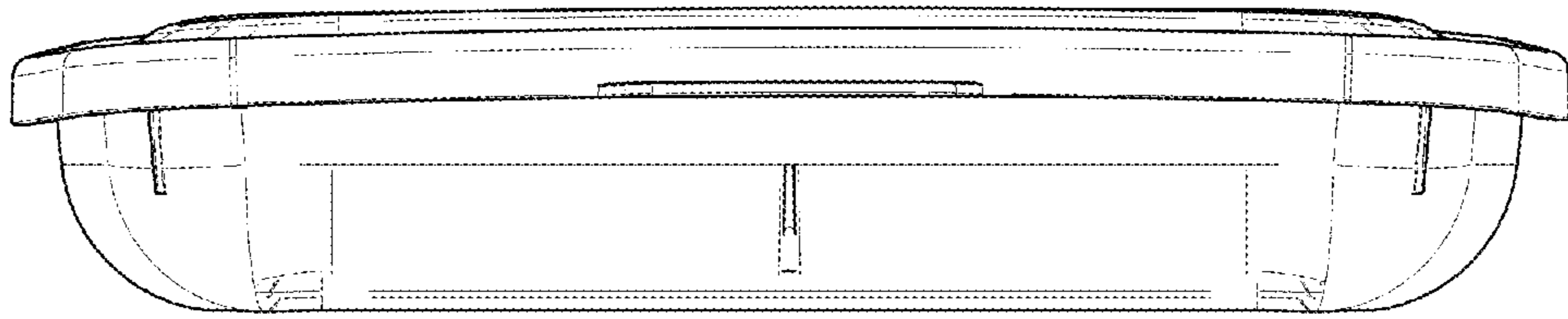


FIG. 7

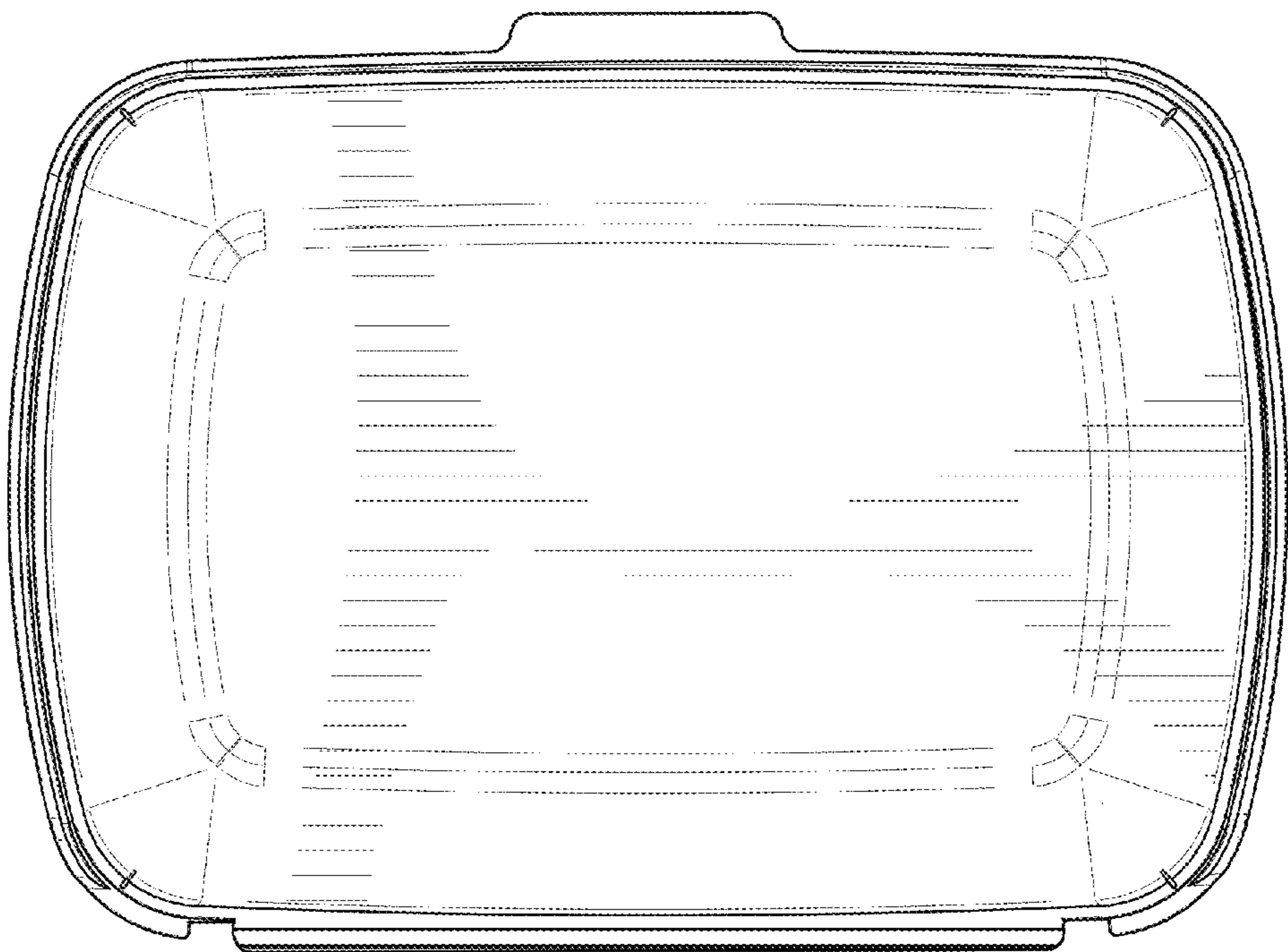


FIG. 8

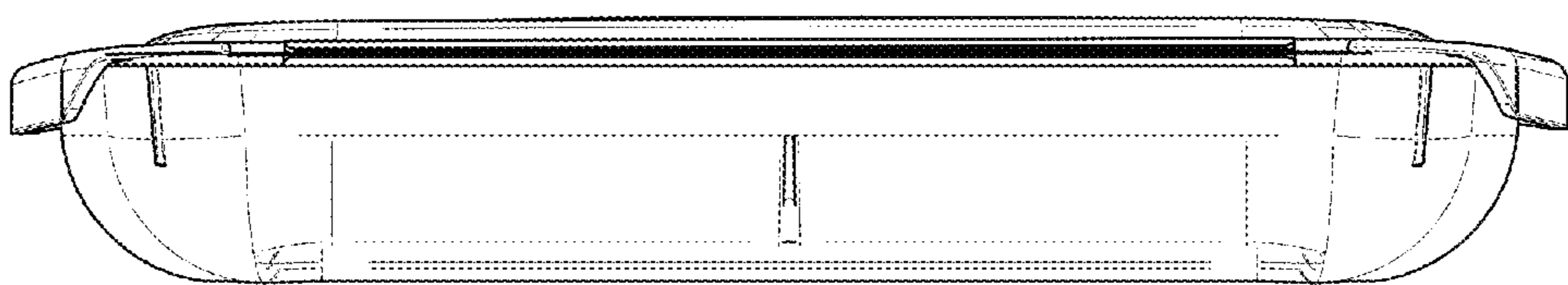


FIG. 9