



US00D668118S

(12) **United States Design Patent**  
**Hayes et al.**

(10) **Patent No.:** **US D668,118 S**  
(45) **Date of Patent:** **\*\* Oct. 2, 2012**

(54) **CONTAINER**

(75) Inventors: **Peter James Hayes**, London (GB);  
**Benjamin James Lambert**, London (GB)

(73) Assignee: **Conopco, Inc.**, Englewood Cliffs, NJ (US)

(\*\*) Term: **14 Years**

(21) Appl. No.: **29/409,325**

(22) Filed: **Dec. 22, 2011**

(30) **Foreign Application Priority Data**

Jun. 30, 2011 (EM) ..... 001884842-0004

(51) **LOC (9) Cl.** ..... **07-07**

(52) **U.S. Cl.** ..... **D7/602**

(58) **Field of Classification Search** ..... D7/601,  
D7/602, 629, 630, 612-615, 538-542; D9/424-432,  
D9/435; D3/273; 220/669-673, 675, 574-575,  
220/780-802, 573.1, 660, 23.83, 23.8, 4.21,  
220/4.24, 288, 260

See application file for complete search history.

(56) **References Cited**

**U.S. PATENT DOCUMENTS**

D235,314 S \* 6/1975 Cramphorn ..... D9/431

D413,231 S \* 8/1999 Loew et al. .... D7/612  
D438,105 S \* 2/2001 Conner et al. .... D9/430  
D584,145 S \* 1/2009 Young ..... D9/435  
D601,386 S \* 10/2009 Carlson ..... D7/602

**FOREIGN PATENT DOCUMENTS**

RU 65503 2/2008

\* cited by examiner

*Primary Examiner* — Terry Wallace

(74) *Attorney, Agent, or Firm* — Ellen Plotkin

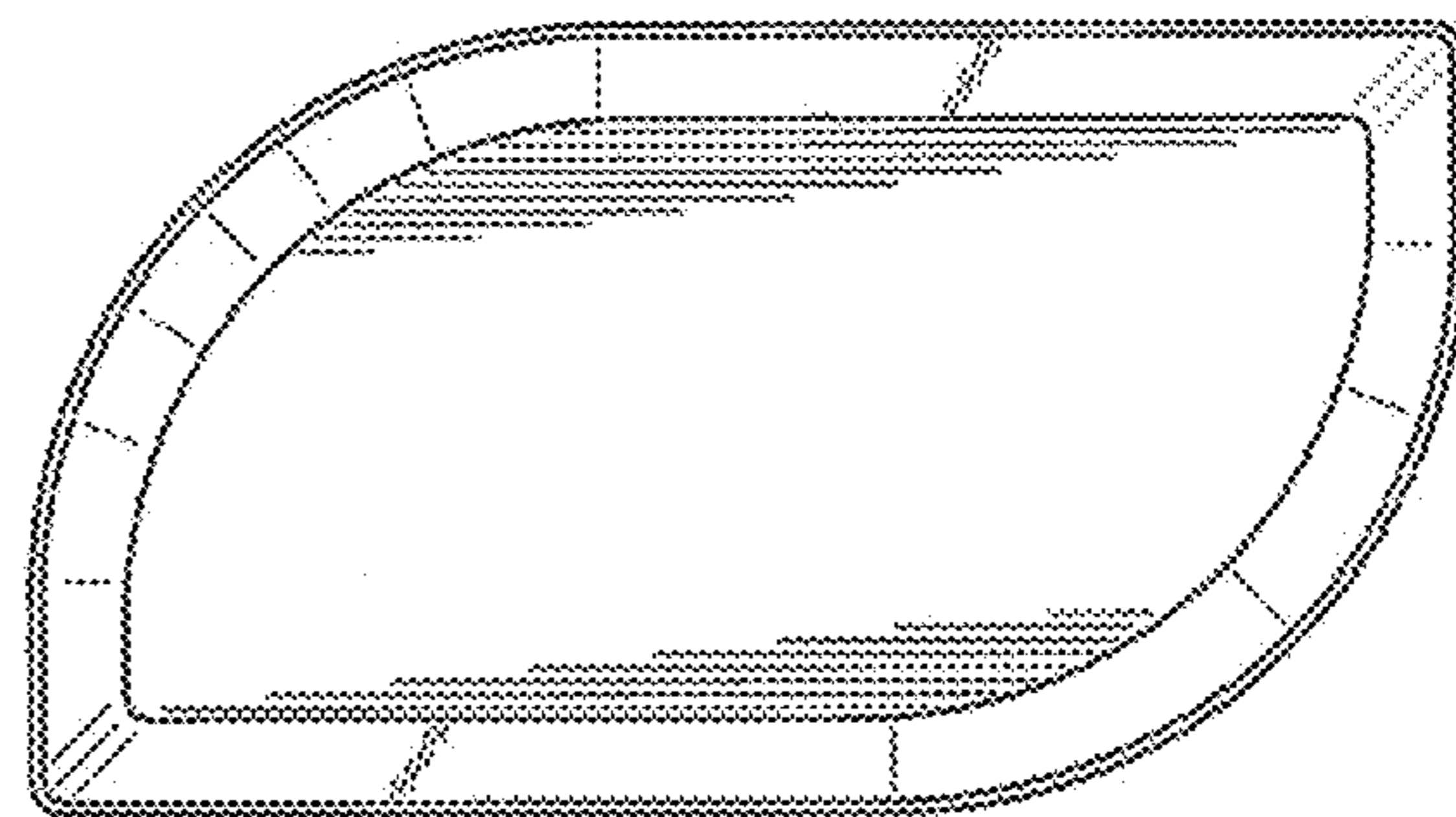
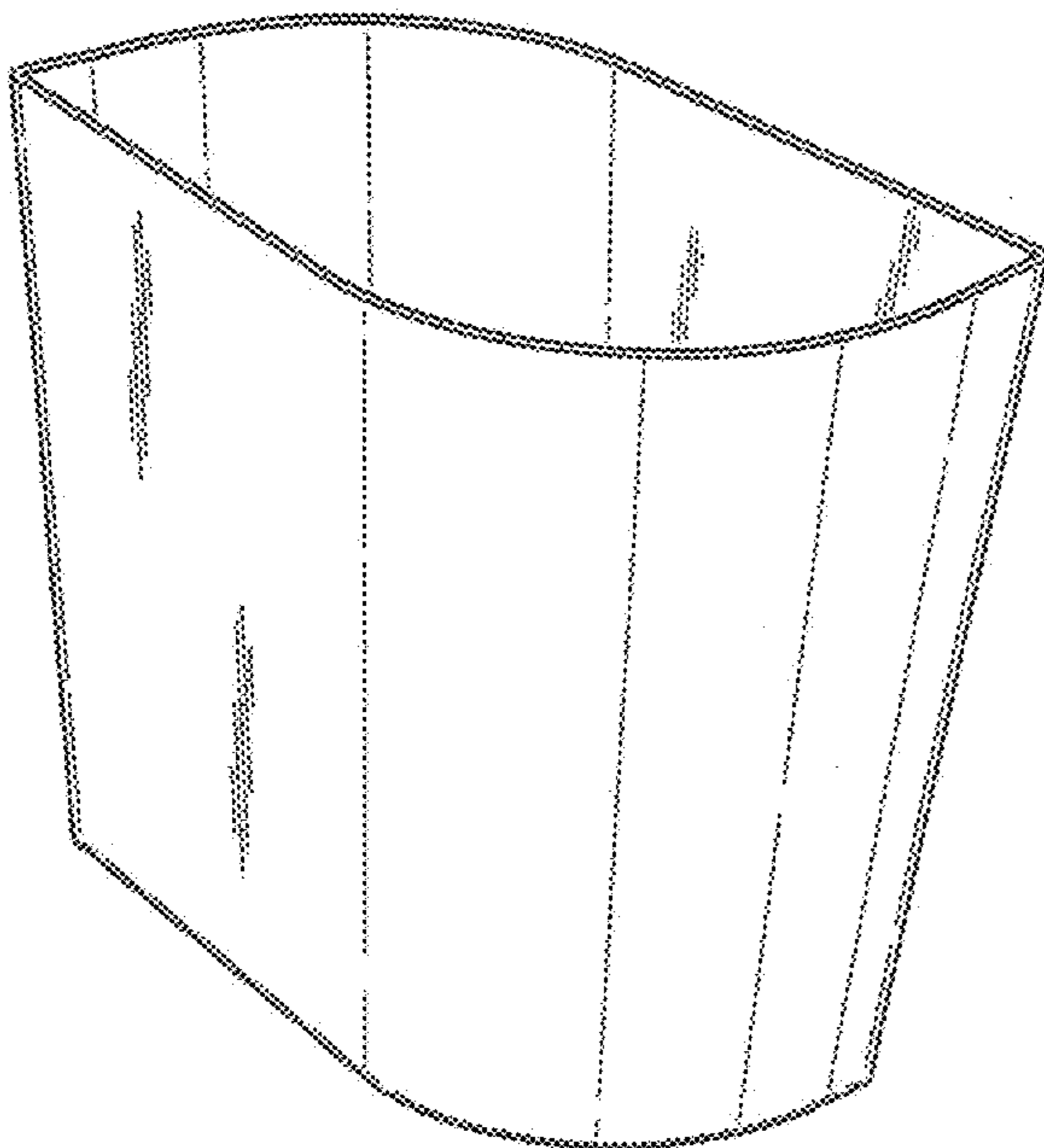
(57) **CLAIM**

An ornamental design for a container, as shown and described.

**DESCRIPTION**

FIG. 1 is a perspective view from above and to one side of a container in accordance with our new design; FIG. 2 is a view of the right side thereof; FIG. 3 is a view of the left side thereof; FIG. 4 is a view of one end thereof; FIG. 5 is a view of the other end thereof; FIG. 6 is a top plan view thereof; and, FIG. 7 is a bottom plan view thereof.

**1 Claim, 3 Drawing Sheets**



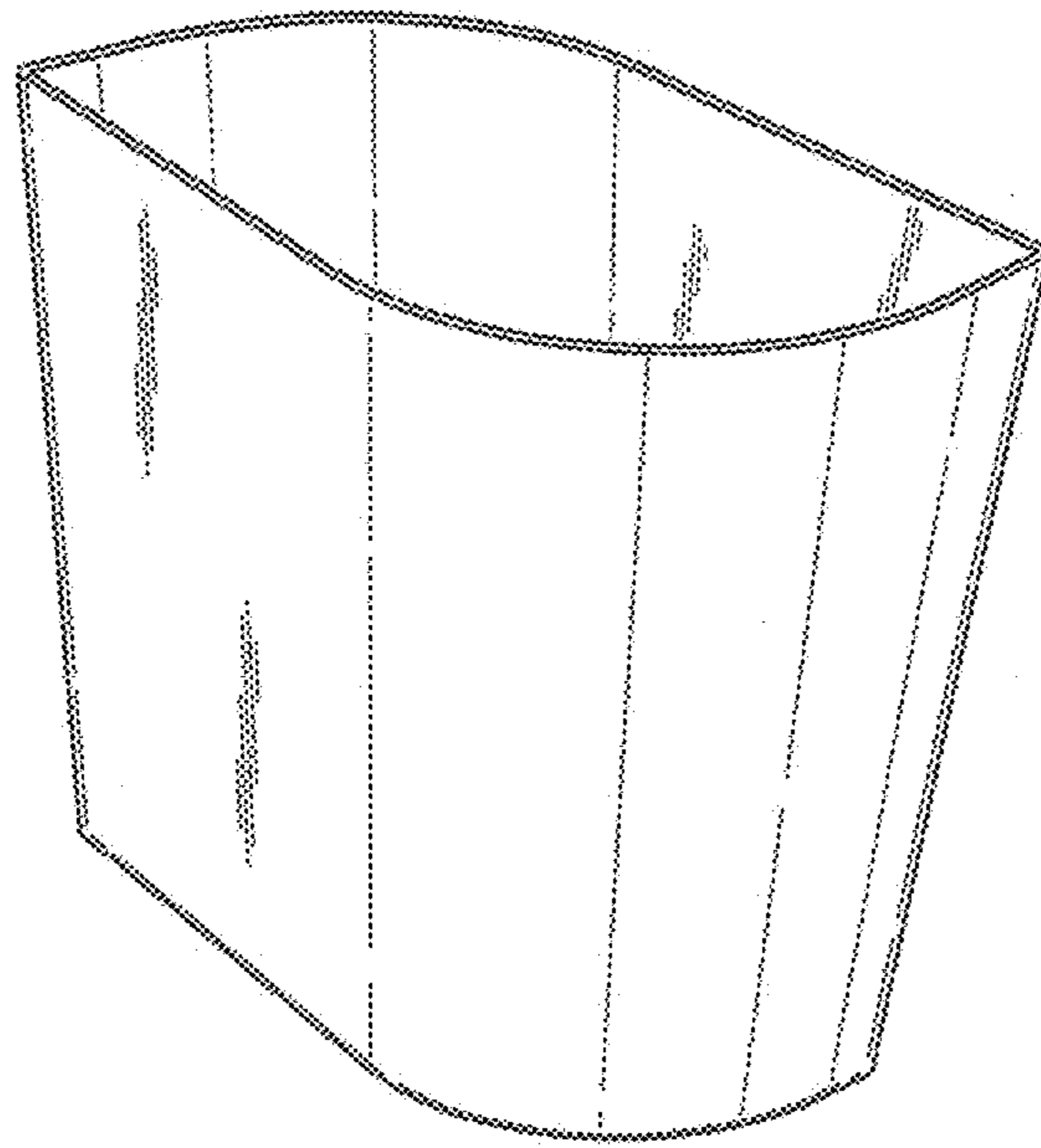


Fig. 1

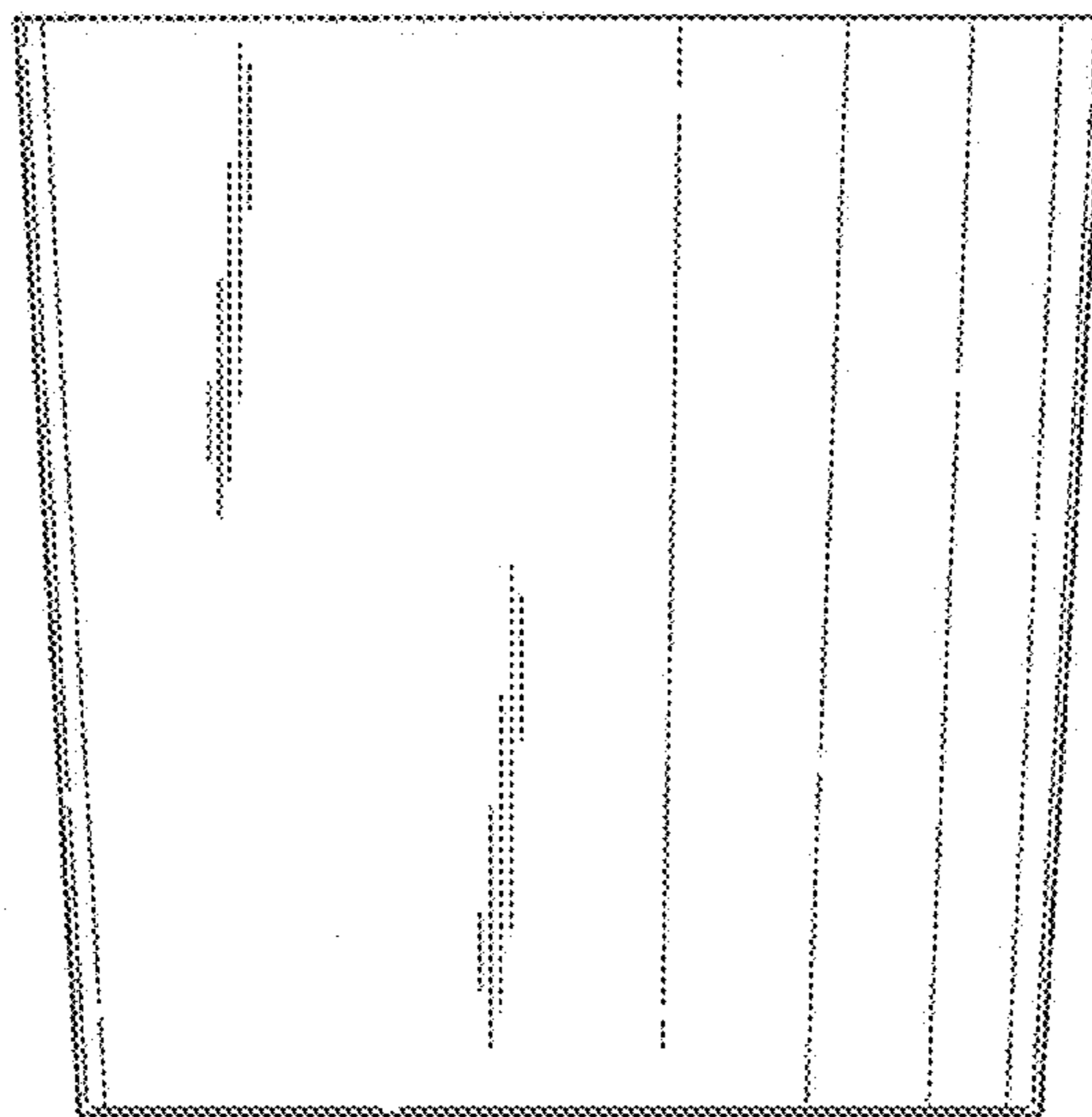


Fig. 2

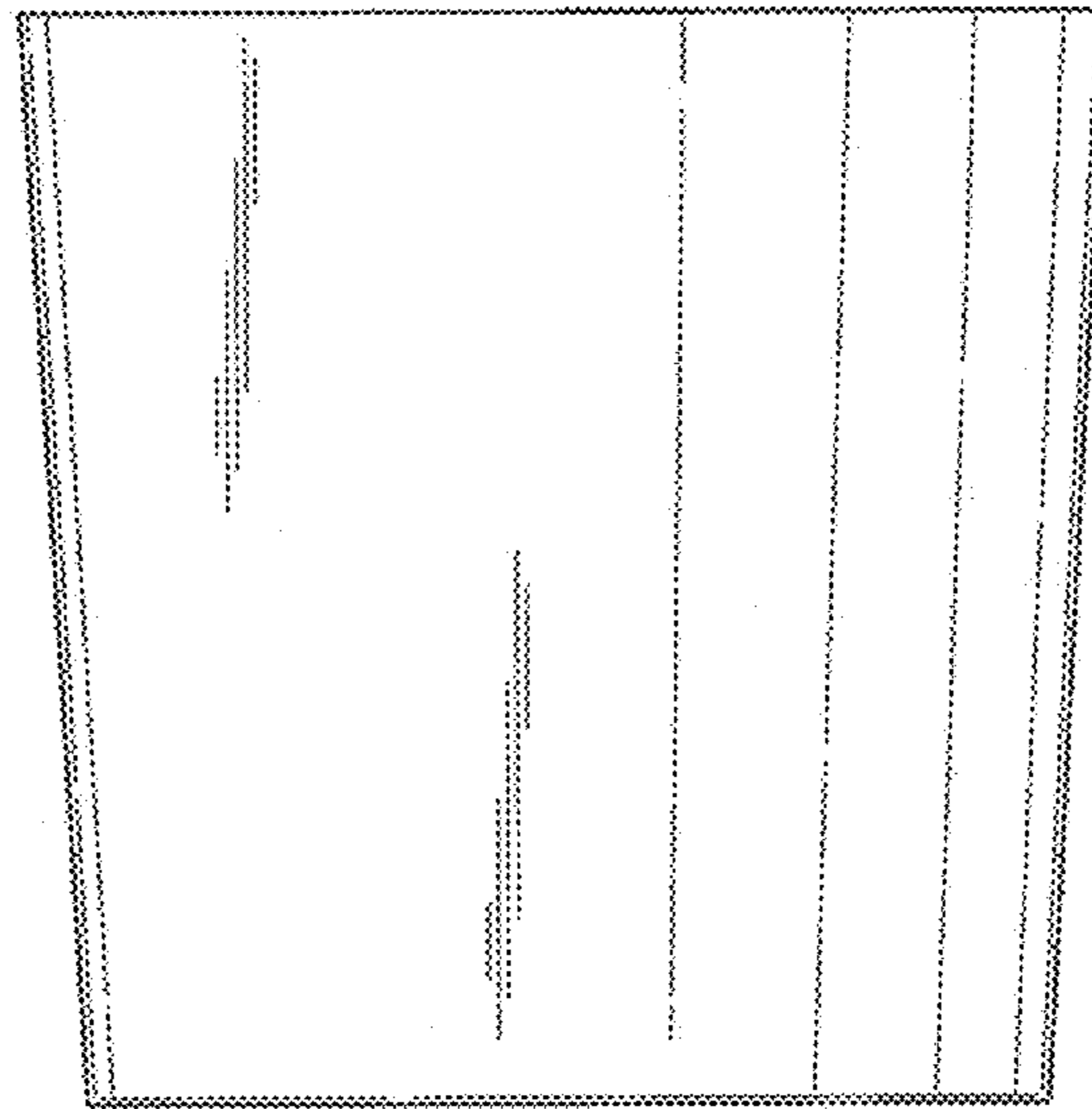


Fig. 3

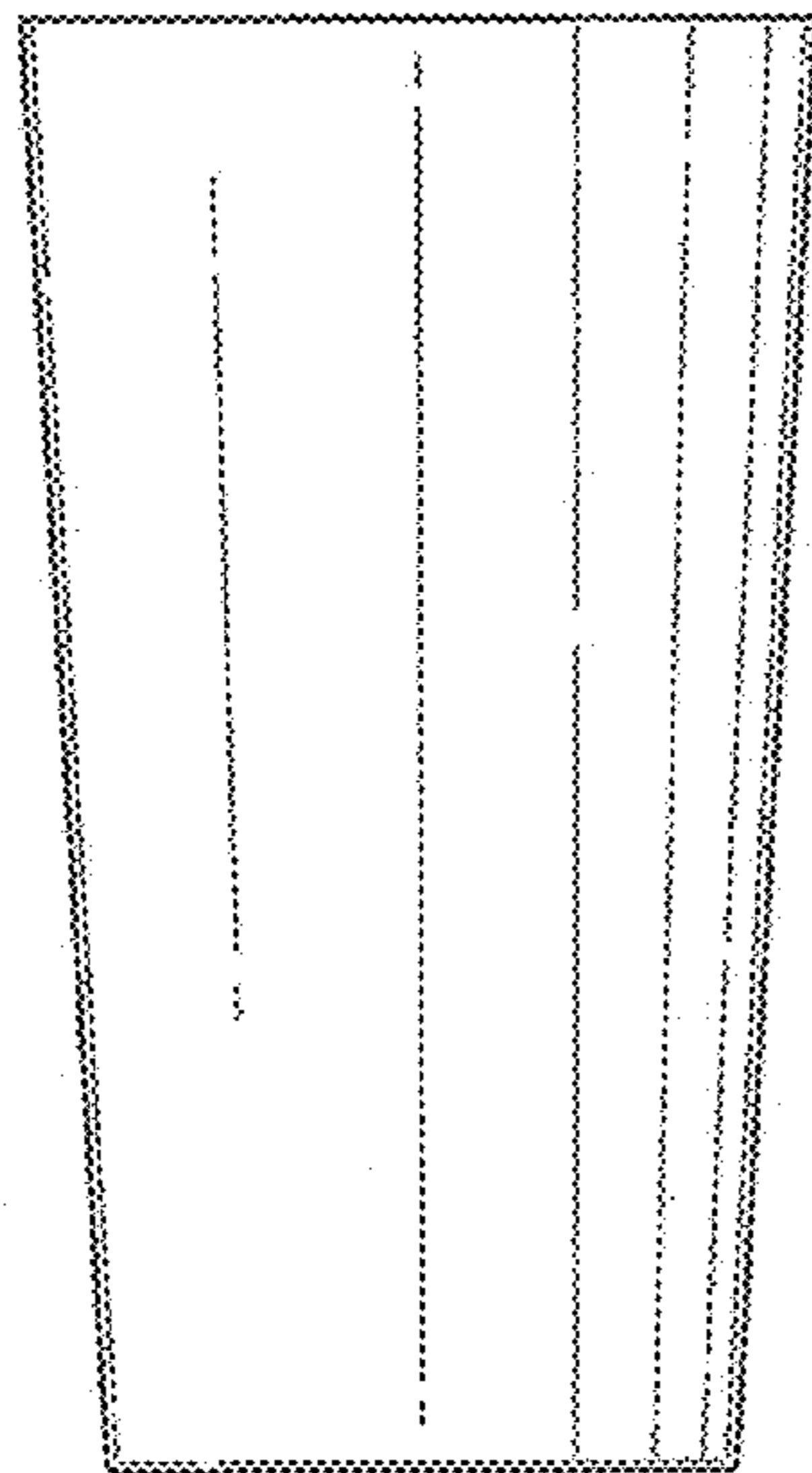


Fig. 4

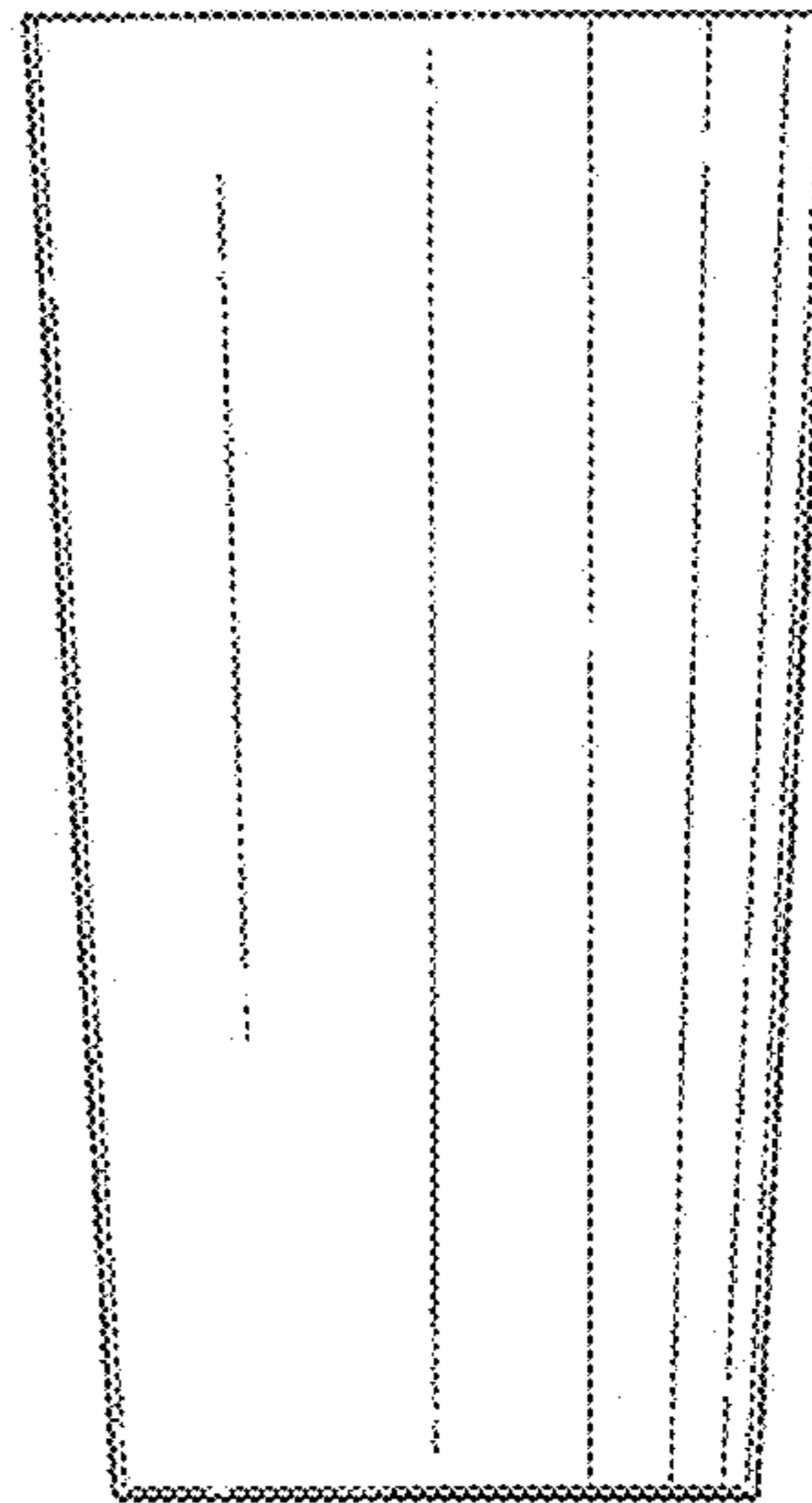


Fig. 5

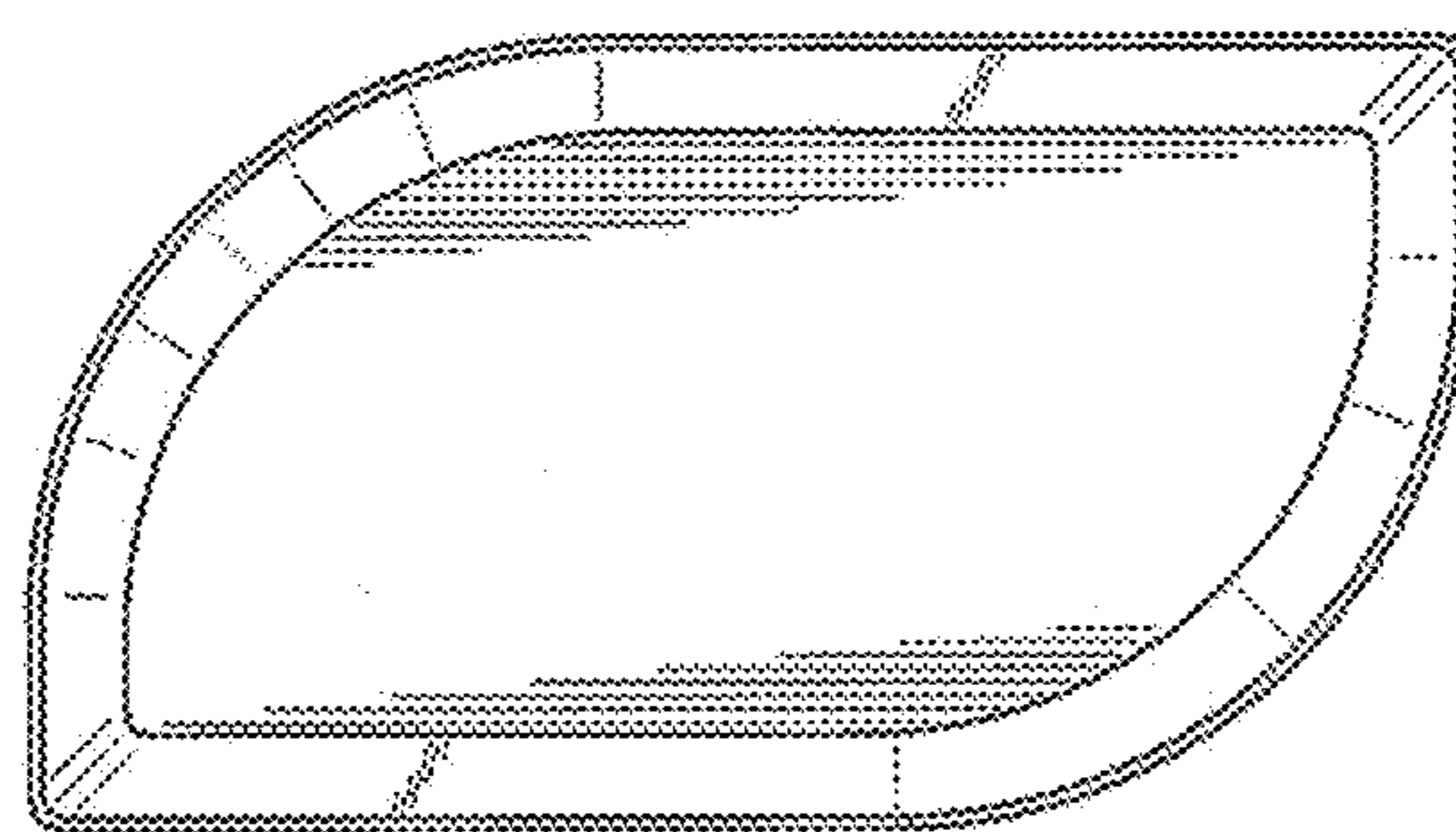


Fig. 6

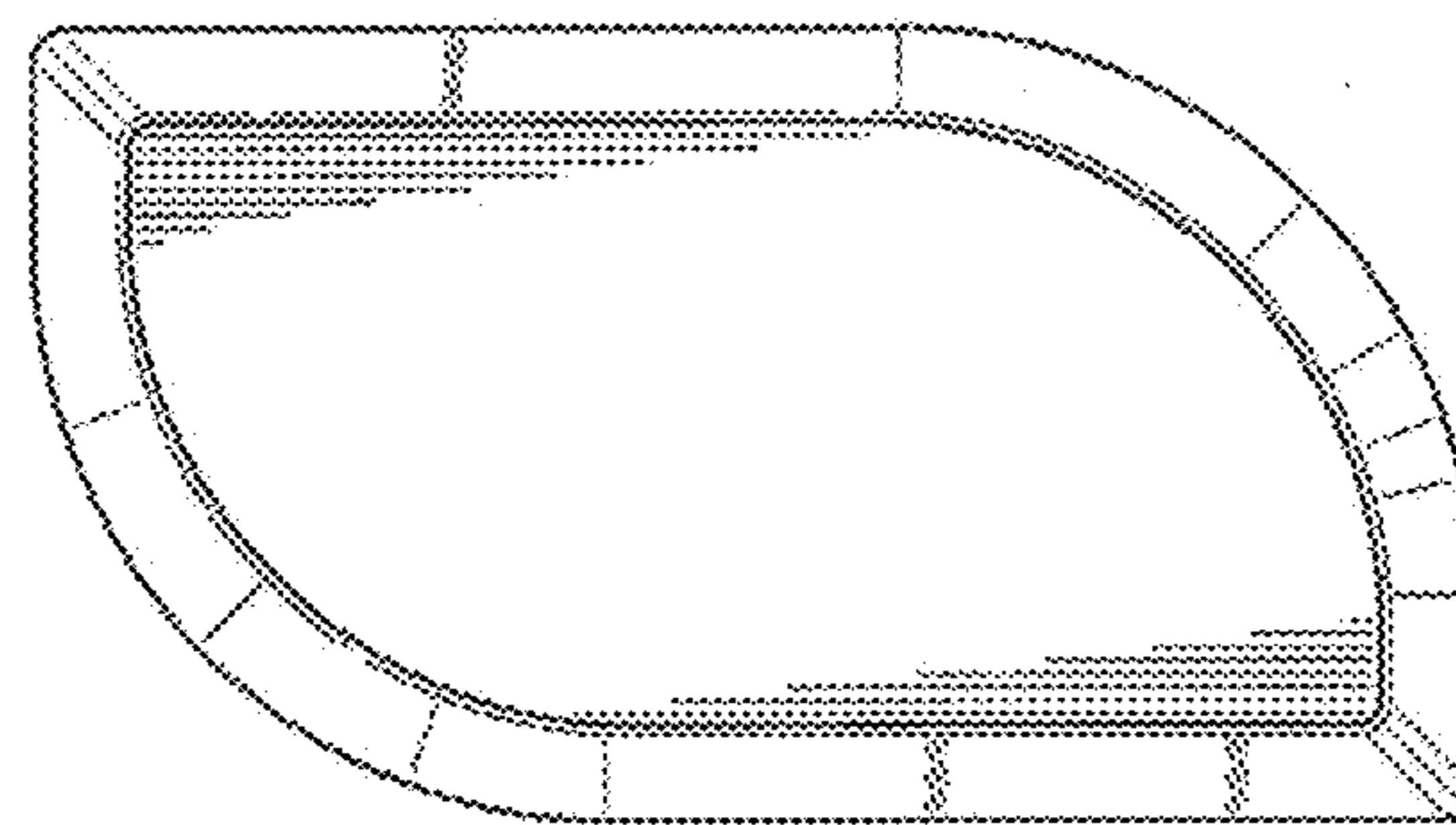


Fig. 7