



US00D668116S

(12) **United States Design Patent**  
**Eyal**

(10) **Patent No.:** **US D668,116 S**

(45) **Date of Patent:** **\*\* Oct. 2, 2012**

(54) **TUMBLER LID AND SPOUT**

(76) Inventor: **Sharon Eyal**, Calabasas, CA (US)

(\*\*) Term: **14 Years**

(21) Appl. No.: **29/400,779**

(22) Filed: **Sep. 1, 2011**

(51) **LOC (9) Cl.** ..... **07-01**

(52) **U.S. Cl.** ..... **D7/510; D7/900**

(58) **Field of Classification Search** ..... D7/510,  
D7/511, 500, 532, 900, 507; 215/121, 382,  
215/388, 387; 220/674, 715, 713, 718, 592.16,  
220/592.17, 709, 708; D9/529, 500, 539  
See application file for complete search history.

(56) **References Cited**

**U.S. PATENT DOCUMENTS**

3,905,512	A *	9/1975	Albert et al.	.....	220/714
4,928,876	A *	5/1990	Marshall	.....	229/103.1
5,174,469	A *	12/1992	Policapelli	.....	220/710
D448,971	S *	10/2001	Hughes	.....	D7/392.1
6,375,092	B1 *	4/2002	Banach	.....	239/33
6,561,434	B2 *	5/2003	Kaplan	.....	239/33
D476,193	S *	6/2003	Janky	.....	D7/510
7,172,085	B2 *	2/2007	Beaudette	.....	215/11.1
D588,929	S *	3/2009	Boigeol et al.	.....	D9/691

\* cited by examiner

*Primary Examiner* — Cynthia Underwood

(74) *Attorney, Agent, or Firm* — Richard S Erbe

(57) **CLAIM**

The ornamental design for a tumbler lid and spout, as shown and described.

**DESCRIPTION**

FIG. 1 is a top perspective view of a tumbler lid and spout showing my new design, with the spout closed;

FIG. 2 is a front elevational view of the tumbler lid and spout of FIG. 1;

FIG. 3 is a rear elevational view of the tumbler lid and spout of FIG. 1;

FIG. 4 is a left side elevational view of the tumbler lid and spout of FIG. 1;

FIG. 5 is a right side elevational view of the tumbler lid and spout of FIG. 1;

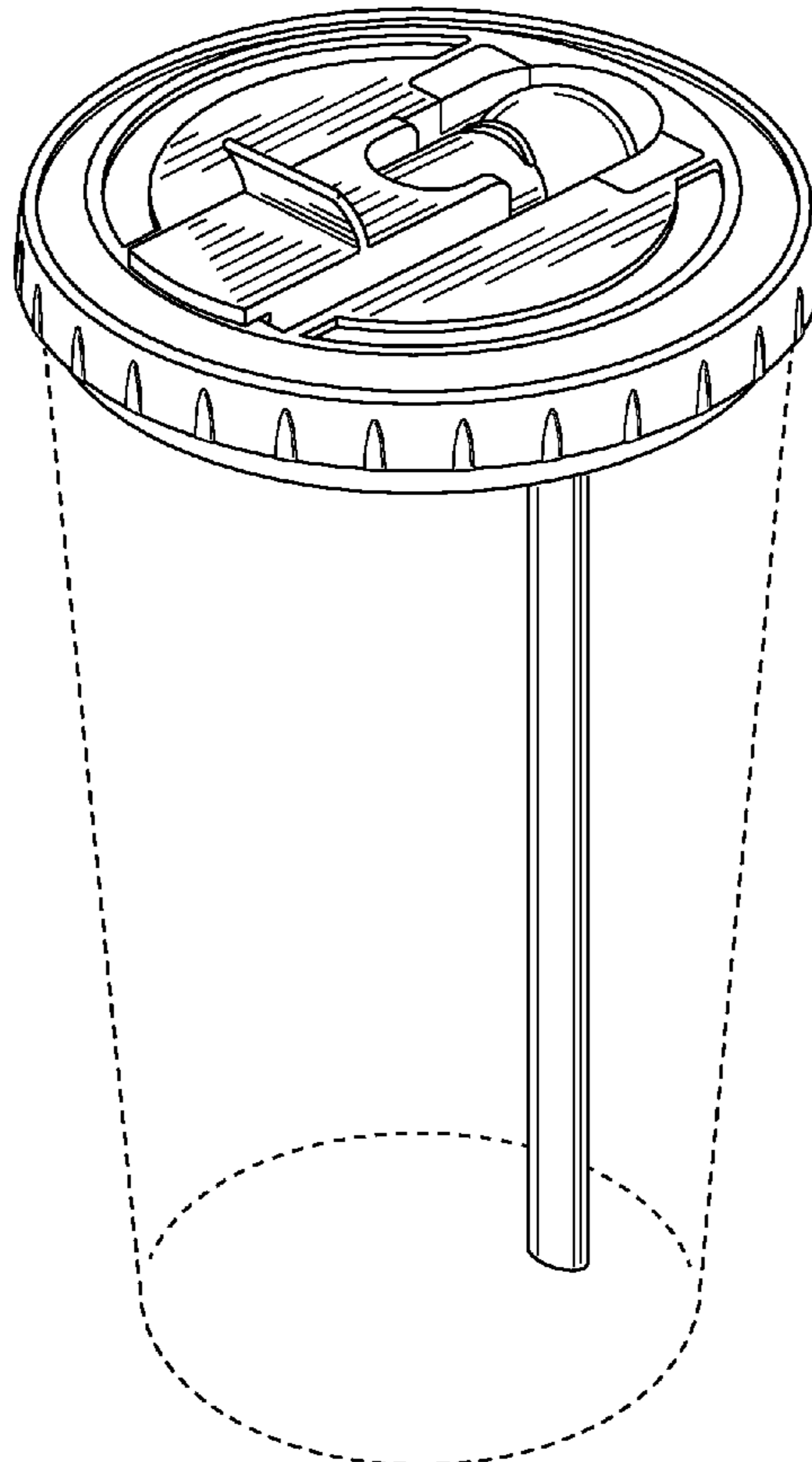
FIG. 6 is a top plan view of the tumbler lid and spout of FIG. 1;

FIG. 7 is a bottom plan view of the tumbler lid and spout of FIG. 1; and,

FIG. 8 is a top perspective view of a tumbler lid and spout showing my new design, with the spout open.

The portions of the article in broken lines are shown for illustrative purposes only and form no part of the claimed invention.

**1 Claim, 4 Drawing Sheets**



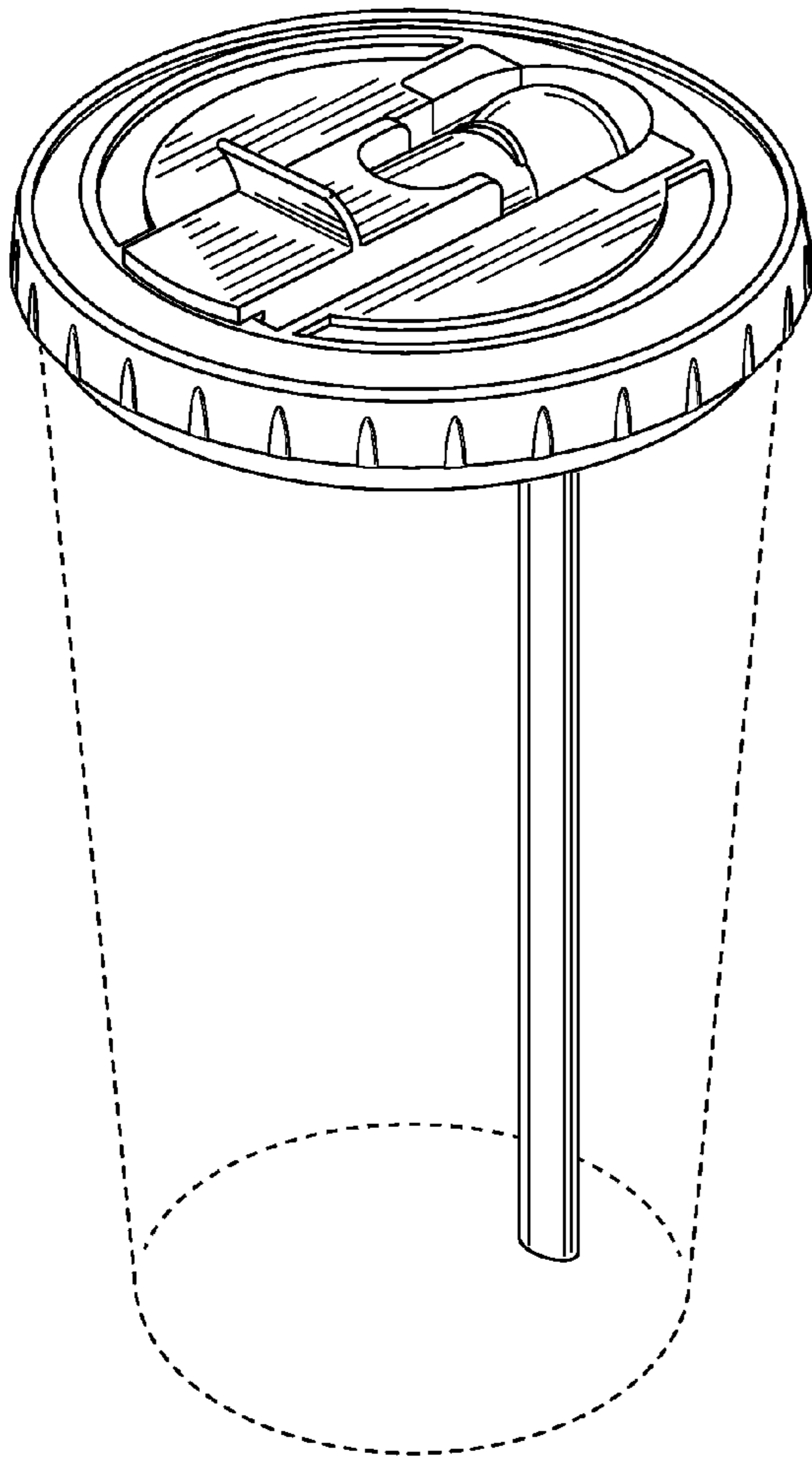
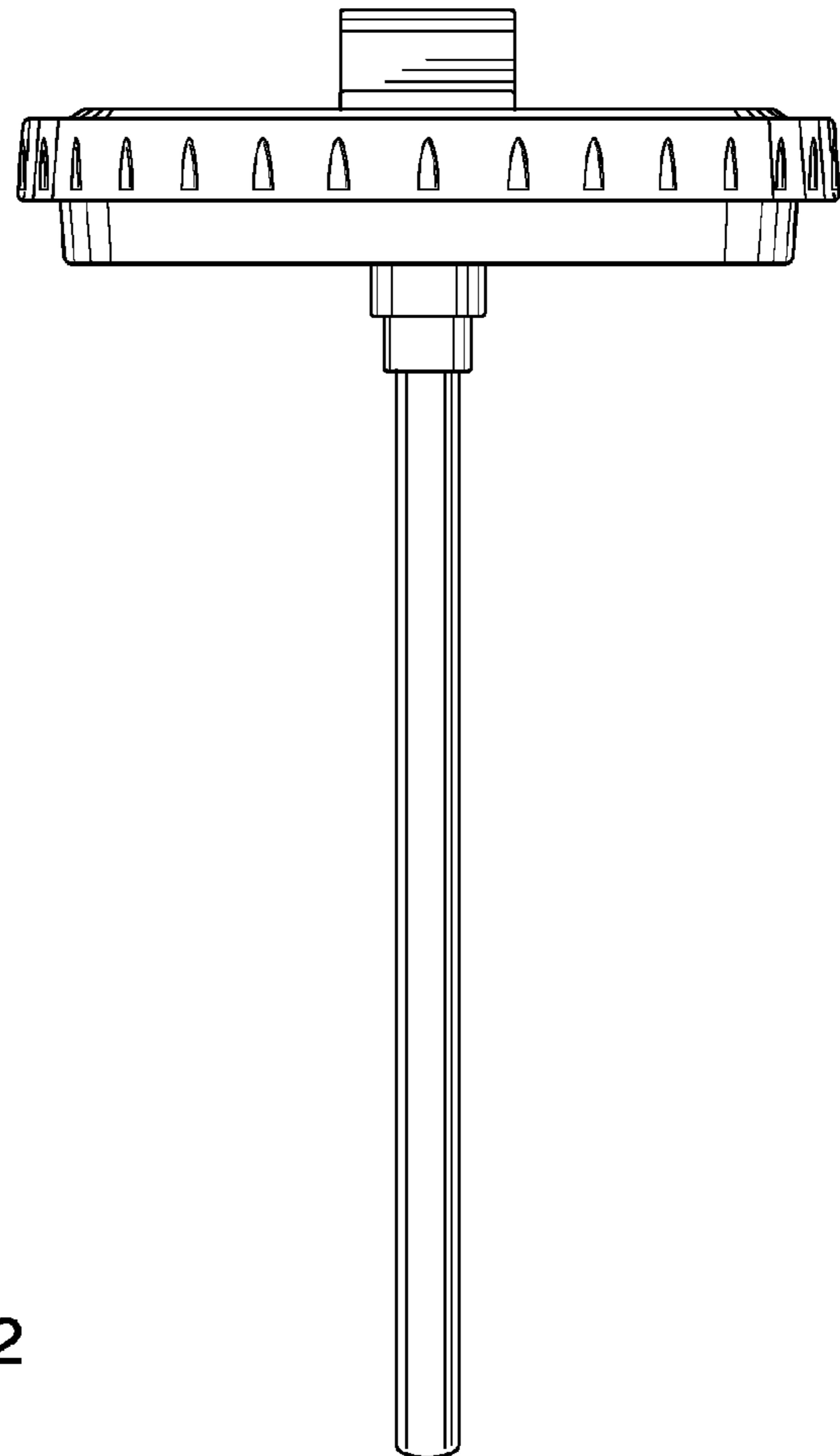


FIG. 2

FIG. 1



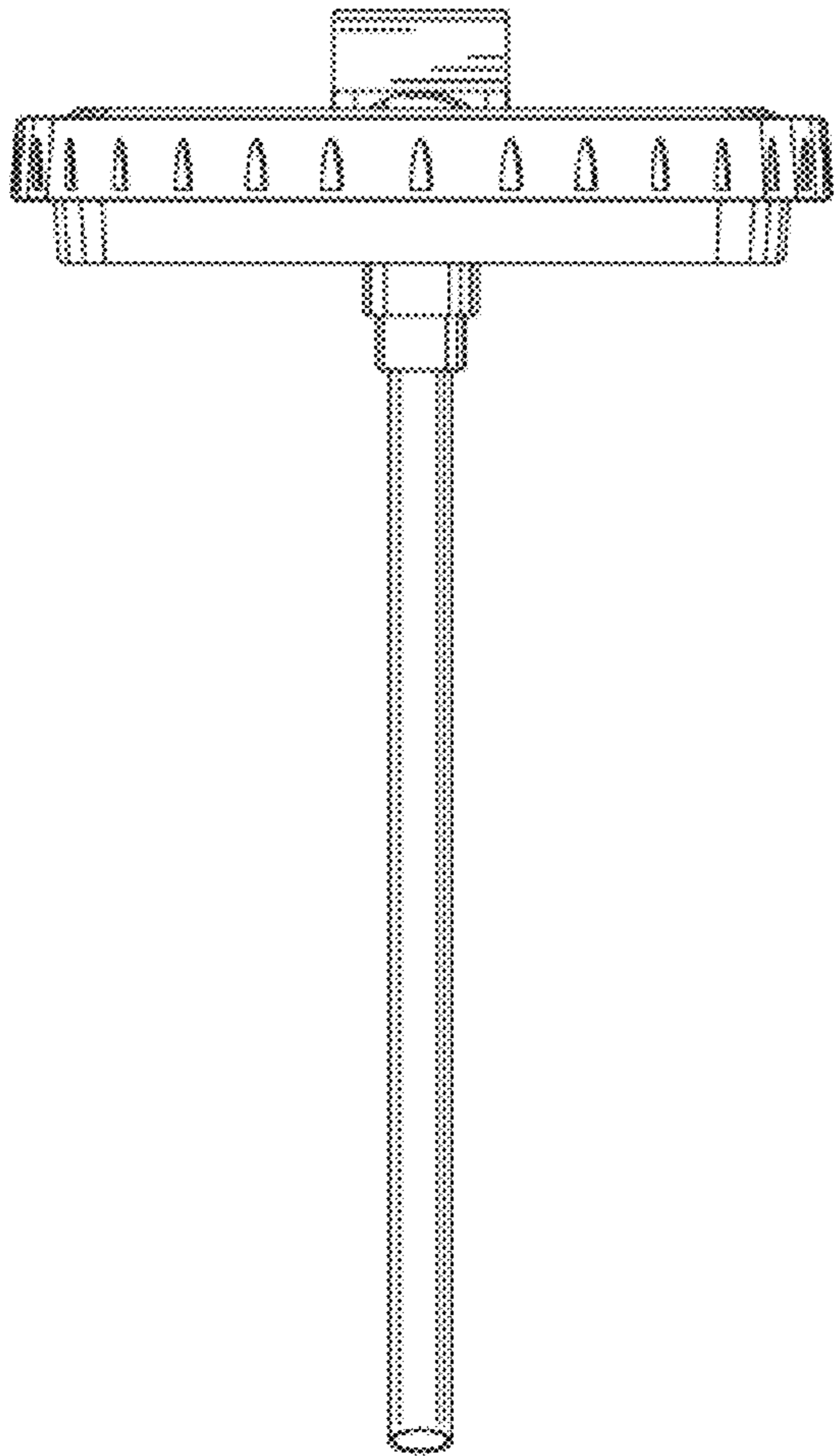


FIG. 3

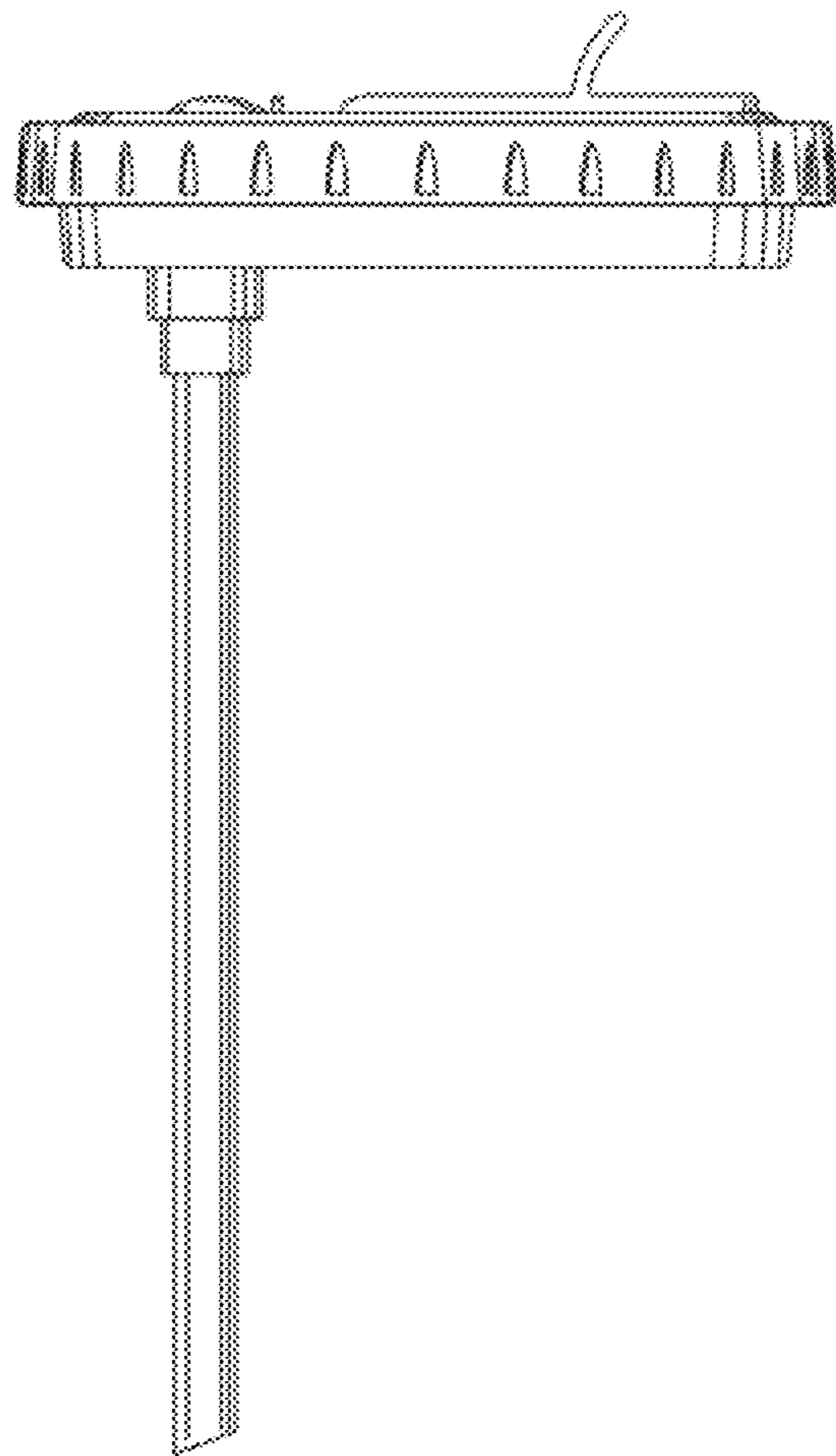


FIG. 4

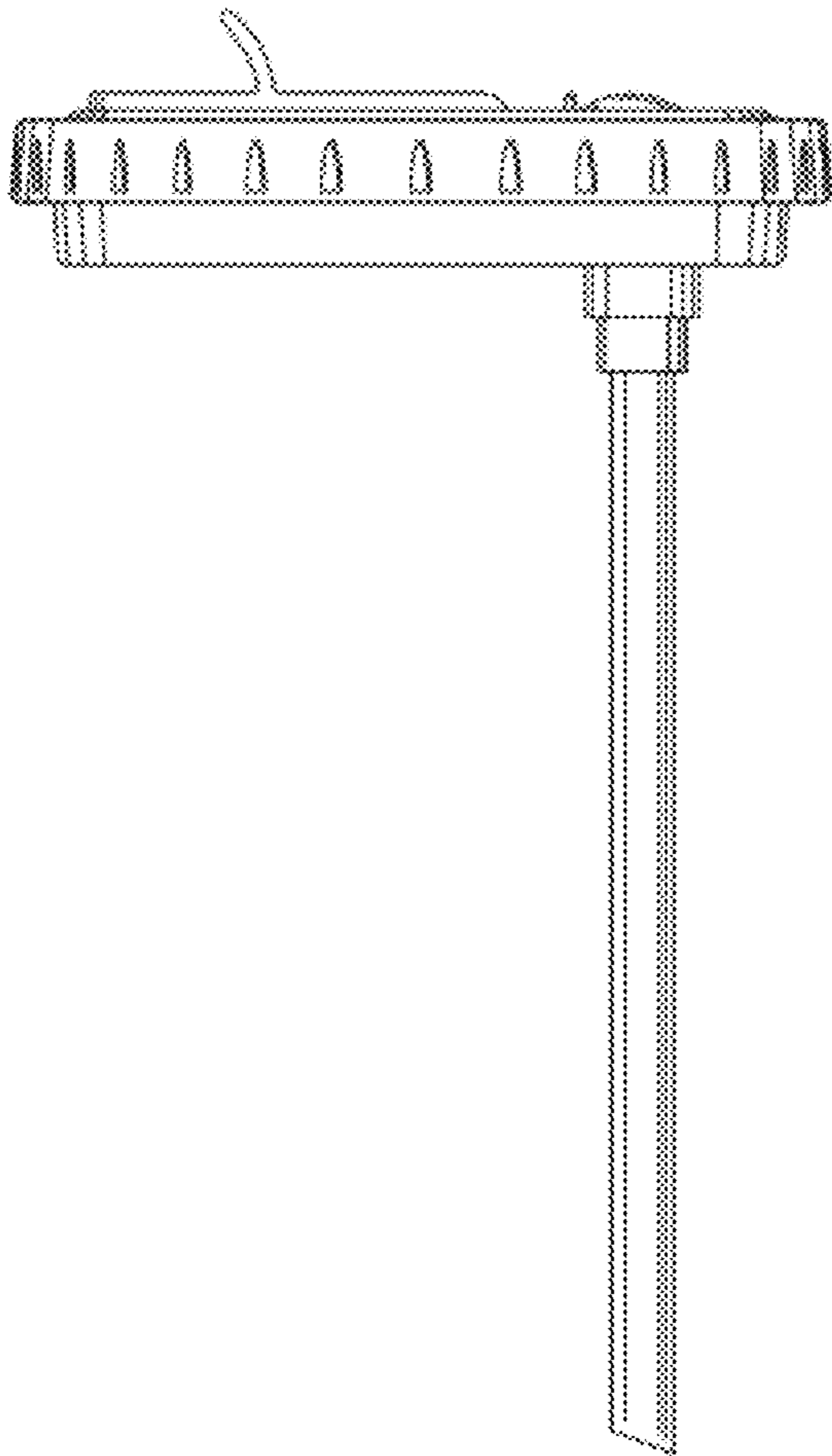


FIG. 5

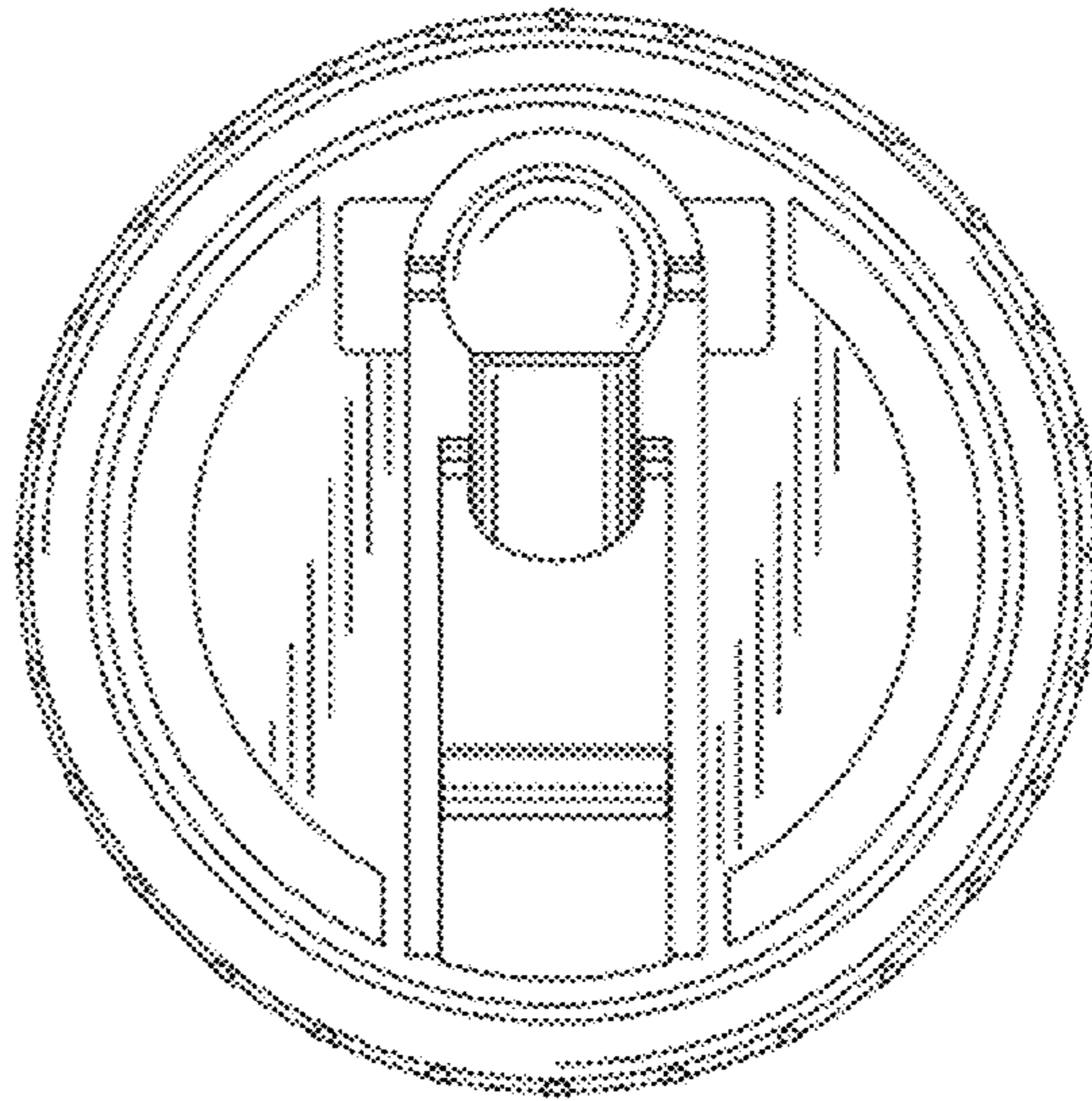


FIG. 6

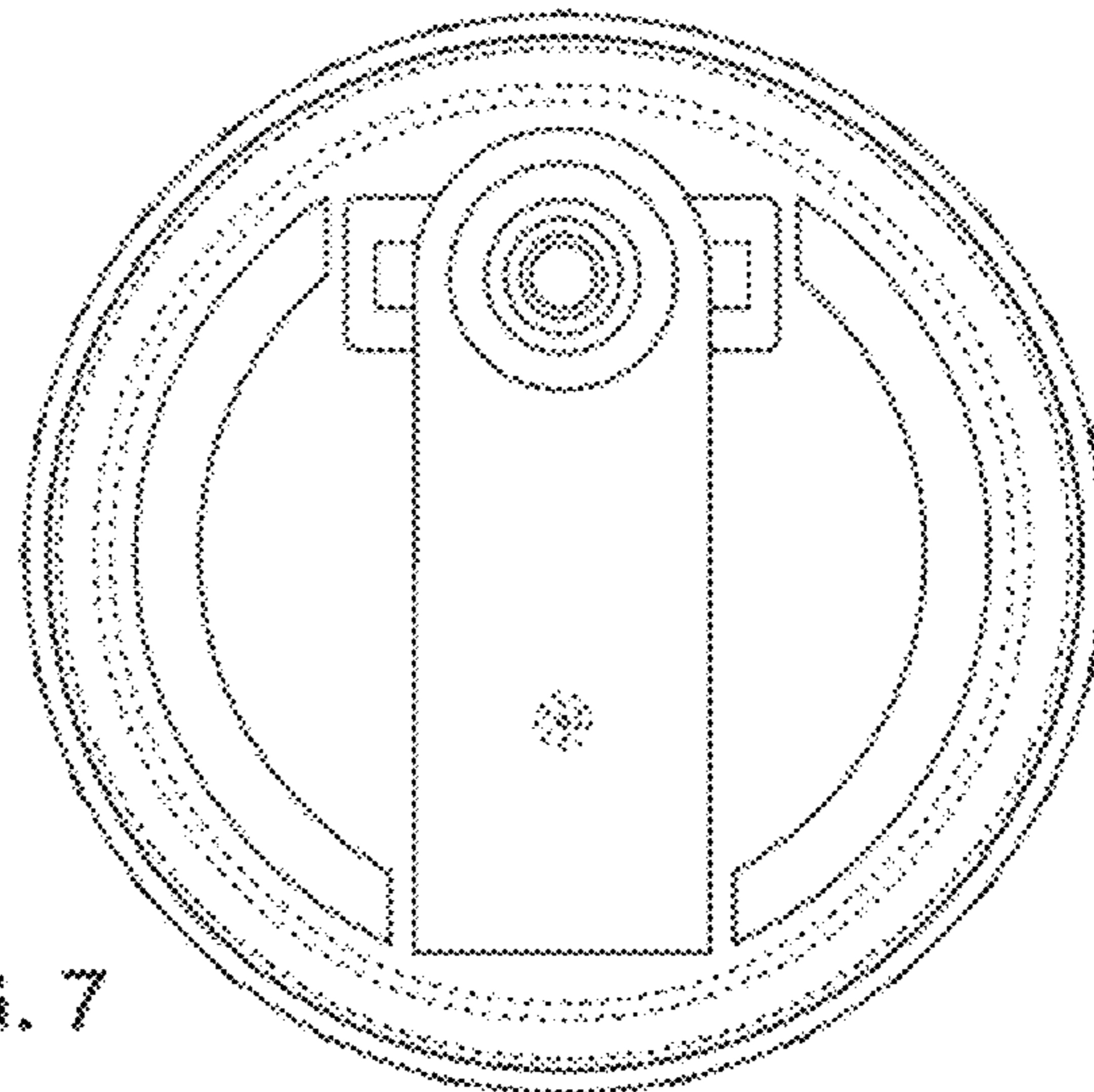


FIG. 7

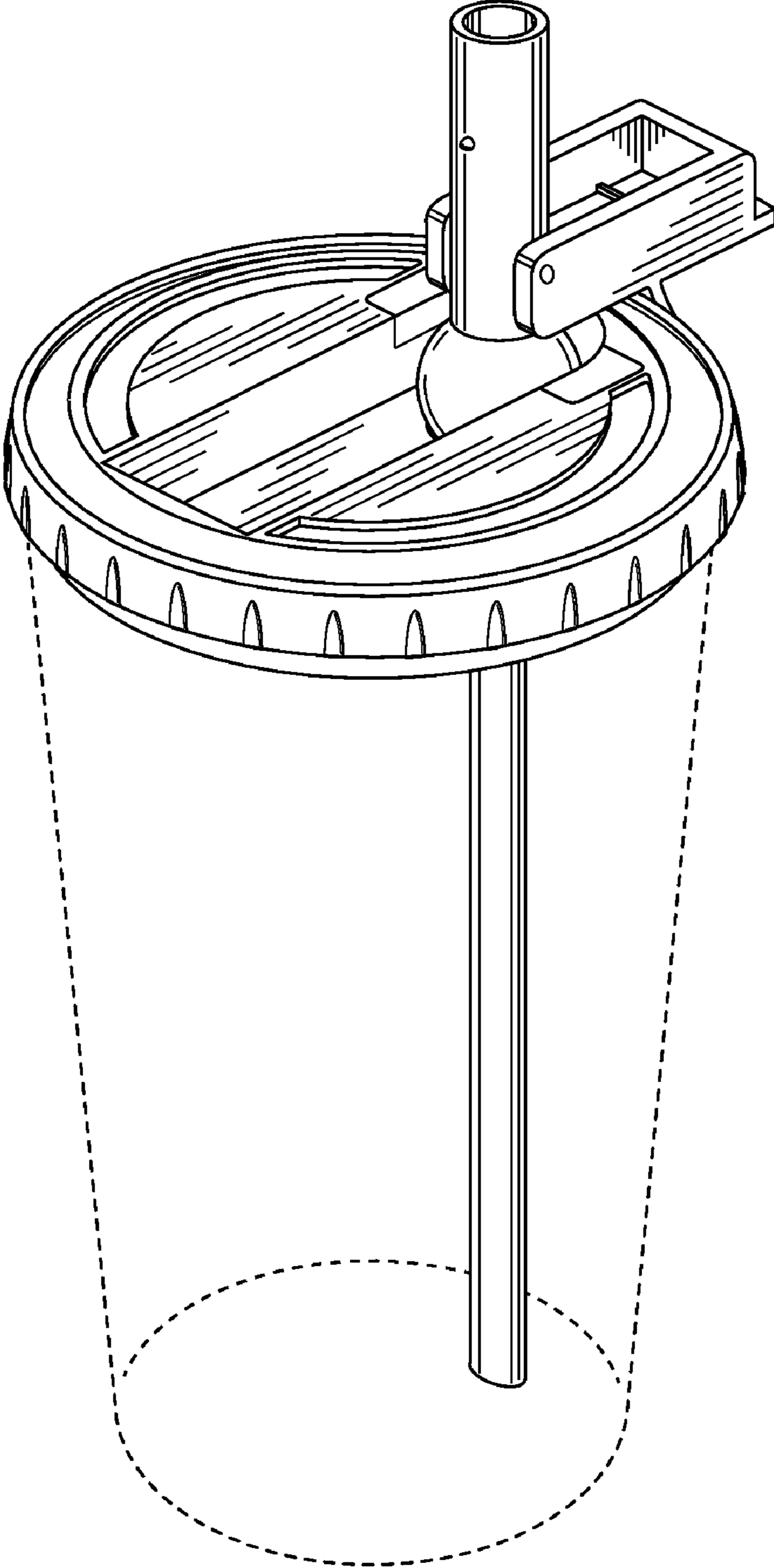


FIG. 8