

US00D668114S

(12) **United States Design Patent**
Cozzolino et al.

(10) **Patent No.:** **US D668,114 S**
(45) **Date of Patent:** **** Oct. 2, 2012**

(54) **CHOPPER CUP FOR A FOOD PROCESSOR**

(75) Inventors: **Steven C. Cozzolino**, New York, NY
(US); **James Andrew Sandor**, Trumbull,
CT (US)

(73) Assignee: **Conair Corporation**, Stamford, CT
(US)

(**) Term: **14 Years**

(21) Appl. No.: **29/408,457**

(22) Filed: **Dec. 13, 2011**

(51) **LOC (9) Cl.** **07-02**

(52) **U.S. Cl.** **D7/412; D7/376; D7/378; D7/413**

(58) **Field of Classification Search** D7/301-313,
D7/316-319, 356-357, 368, 372-386, 391-398,
D7/412-415, 503, 515, 665, 679, 691-693;
D9/428, 504; 99/326, 348, 492, 508-512;
241/30-37.5, 101.01-101.2, 166-169.1,
241/172, 272, 285.1-285.3, 291, 292.1; 366/64-67,
366/98, 129, 142-144, 197-211, 241-254,
366/262, 279-292, 325.8, 325.92, 341-347;
416/75-77, 70 R, 163

See application file for complete search history.

(56) **References Cited**

U.S. PATENT DOCUMENTS

D221,978 S * 9/1971 Daenen et al. D7/503
D489,585 S * 5/2004 Wong D7/693
D501,756 S * 2/2005 Nikkhah D7/413

D518,688 S * 4/2006 Overthun et al. D7/693
D518,994 S * 4/2006 Lin D7/378
D519,027 S * 4/2006 Haber et al. D9/428
D549,043 S * 8/2007 Beesley et al. D7/378
D581,750 S * 12/2008 de Groote D7/679
D603,215 S * 11/2009 Hollinger D7/386
D612,667 S * 3/2010 Klotz D7/381
D616,304 S * 5/2010 Prunier et al. D9/504
D621,206 S * 8/2010 Matta et al. D7/372
2004/0149843 A1 * 8/2004 Tang 241/272

* cited by examiner

Primary Examiner — Ricky Pham

(74) *Attorney, Agent, or Firm* — McCormick, Paulding &
Huber LLP

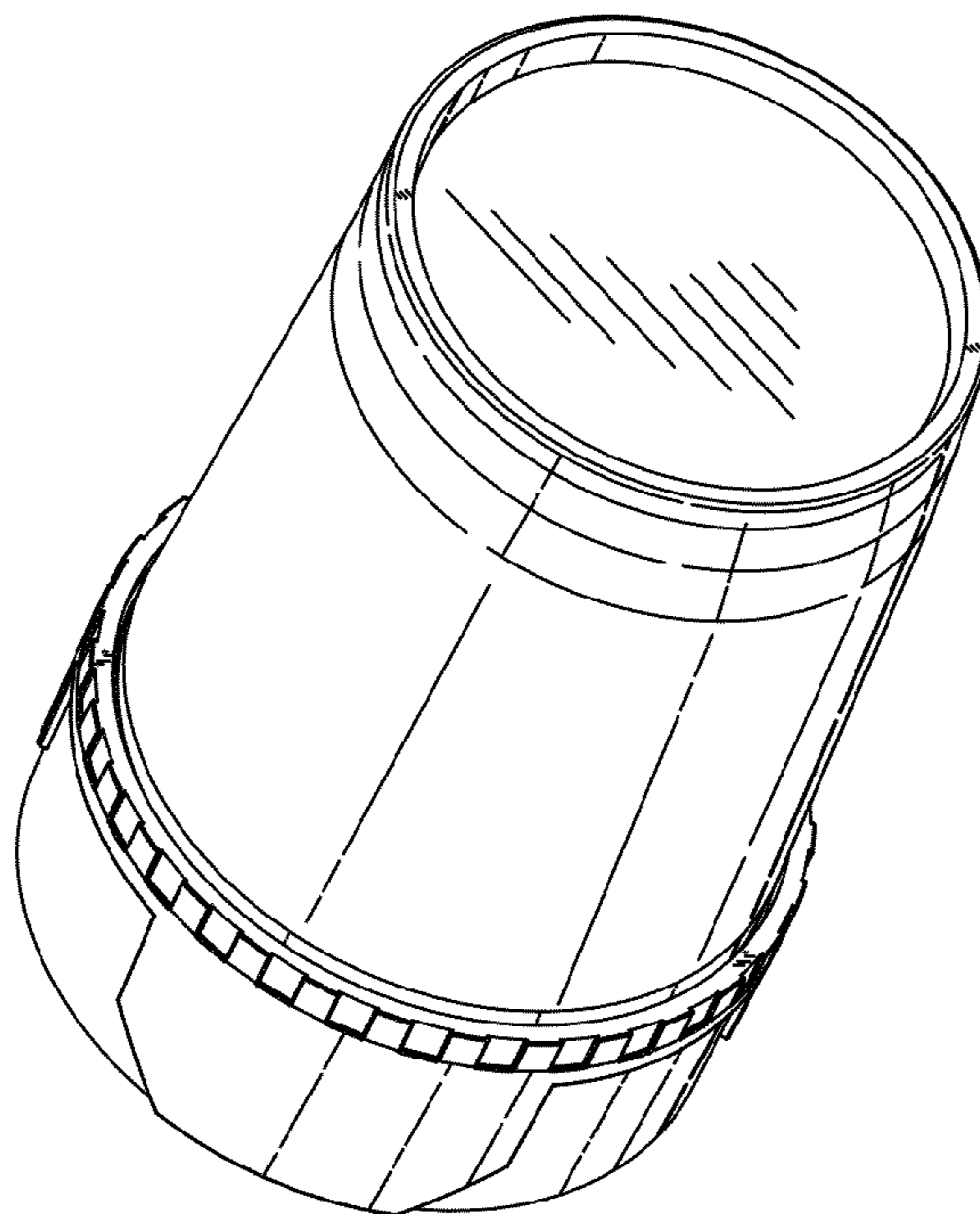
(57) **CLAIM**

The ornamental design for a chopper cup for a food processor,
as shown and described.

DESCRIPTION

FIG. 1 is a front, top, left side perspective view of a chopper
cup for a food processor showing a new design;
FIG. 2 is a front elevational view thereof;
FIG. 3 is a rear elevational view thereof;
FIG. 4 is a left side elevational view thereof;
FIG. 5 is a right side elevation view thereof;
FIG. 6 is a top plan view thereof; and,
FIG. 7 is a bottom plan view thereof.
The broken lines are for illustrative purposes only and form
no part of the claimed design.

1 Claim, 2 Drawing Sheets



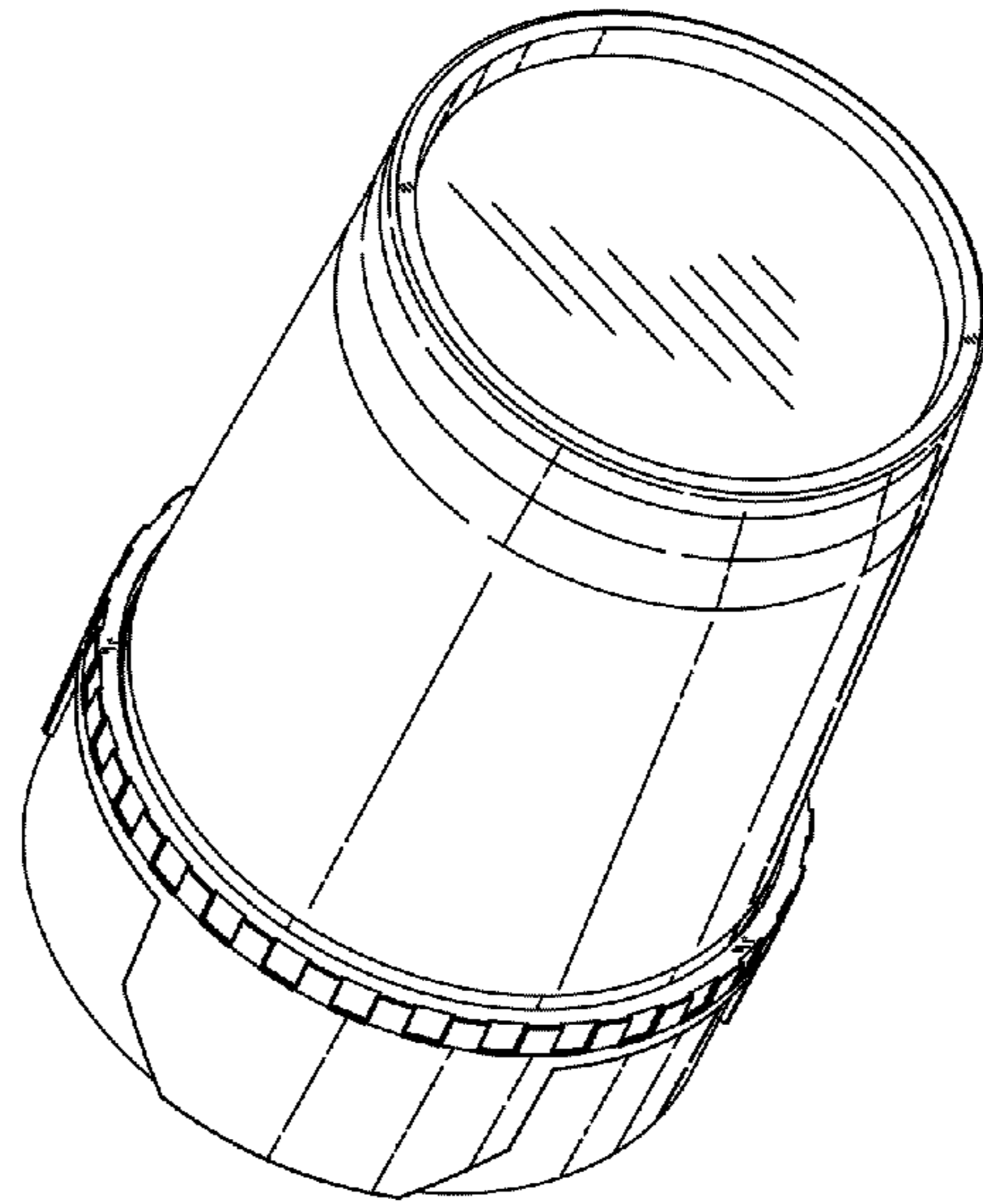


FIG. 1

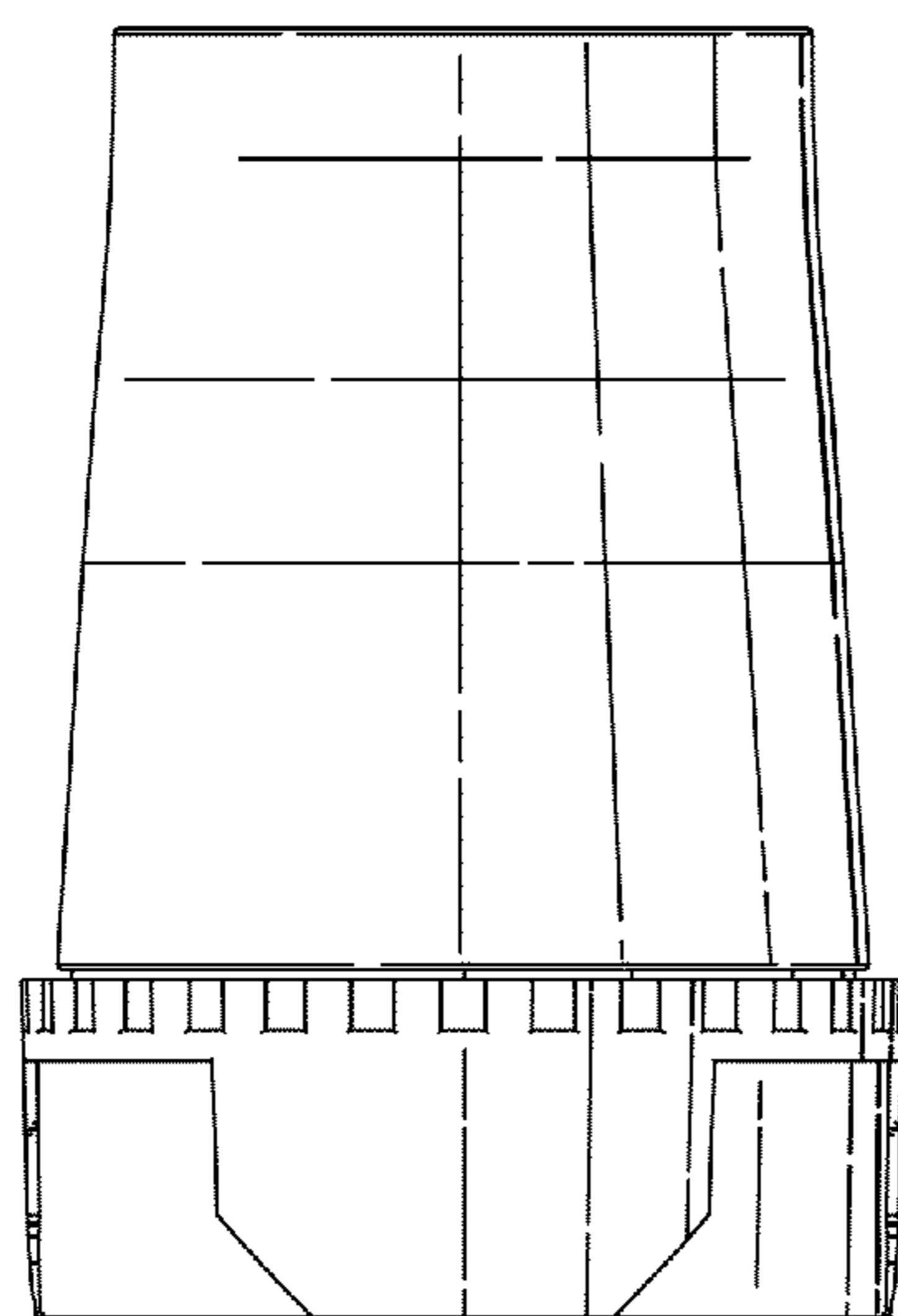


FIG. 2

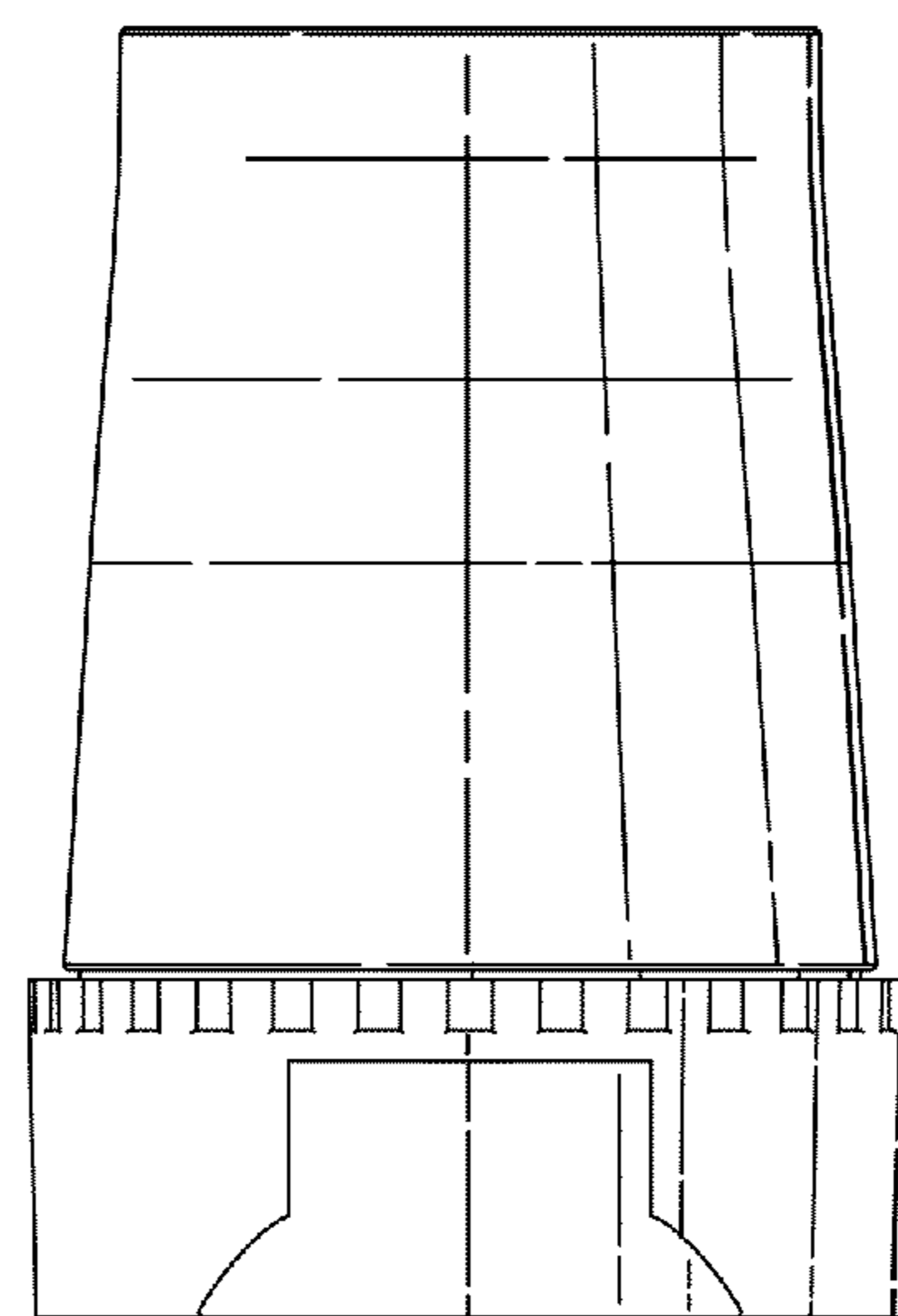


FIG. 3

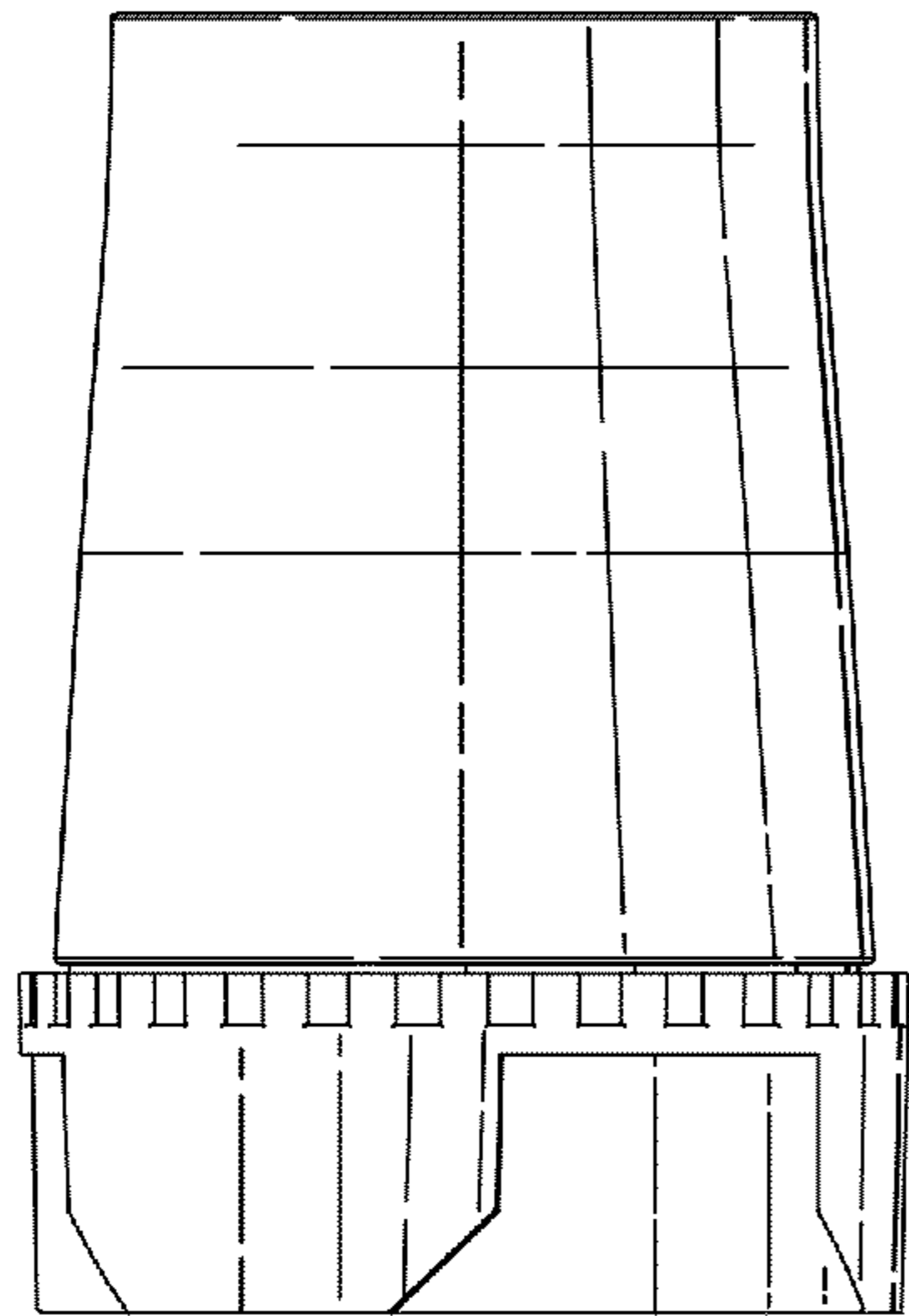


FIG. 4

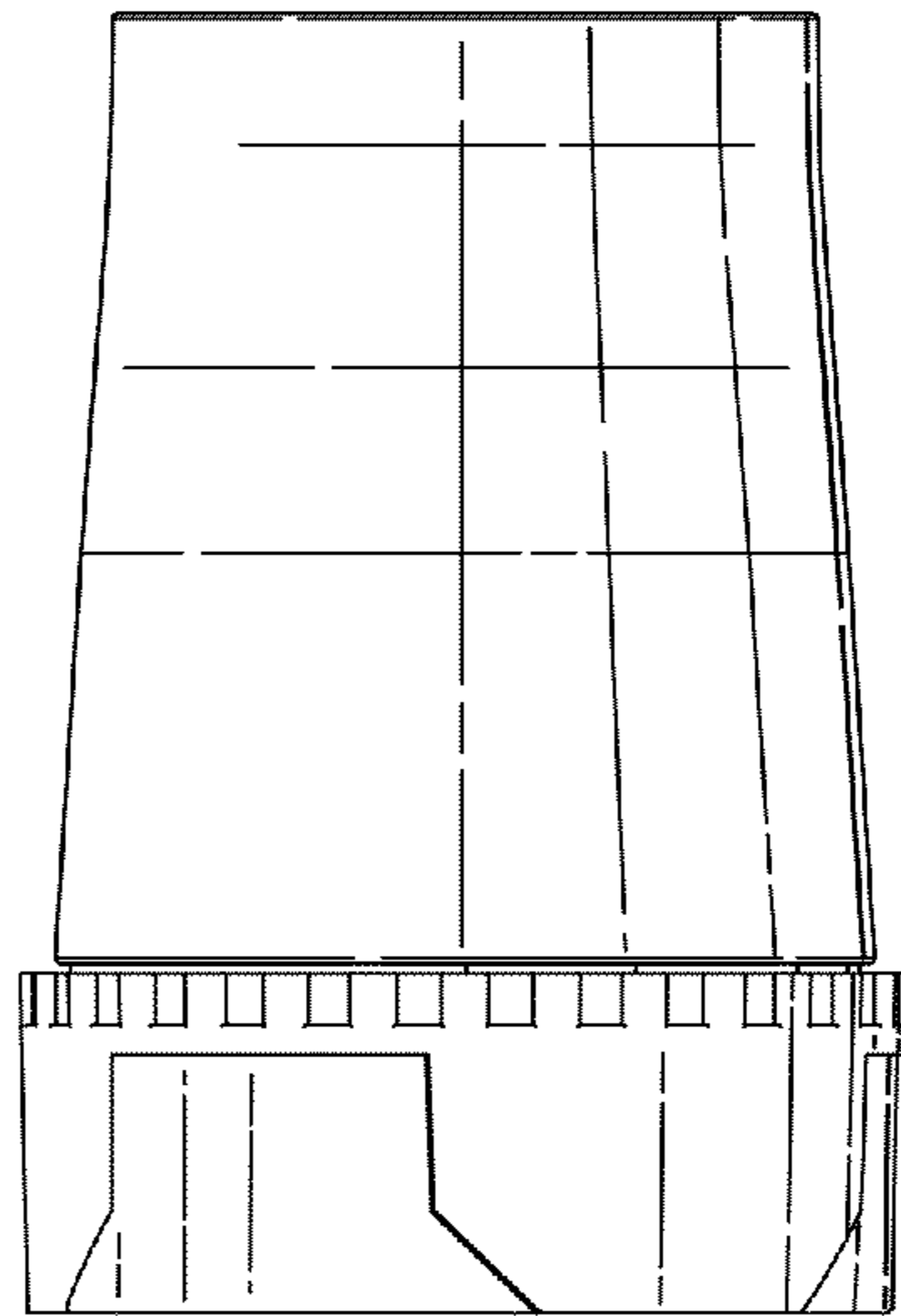


FIG. 5

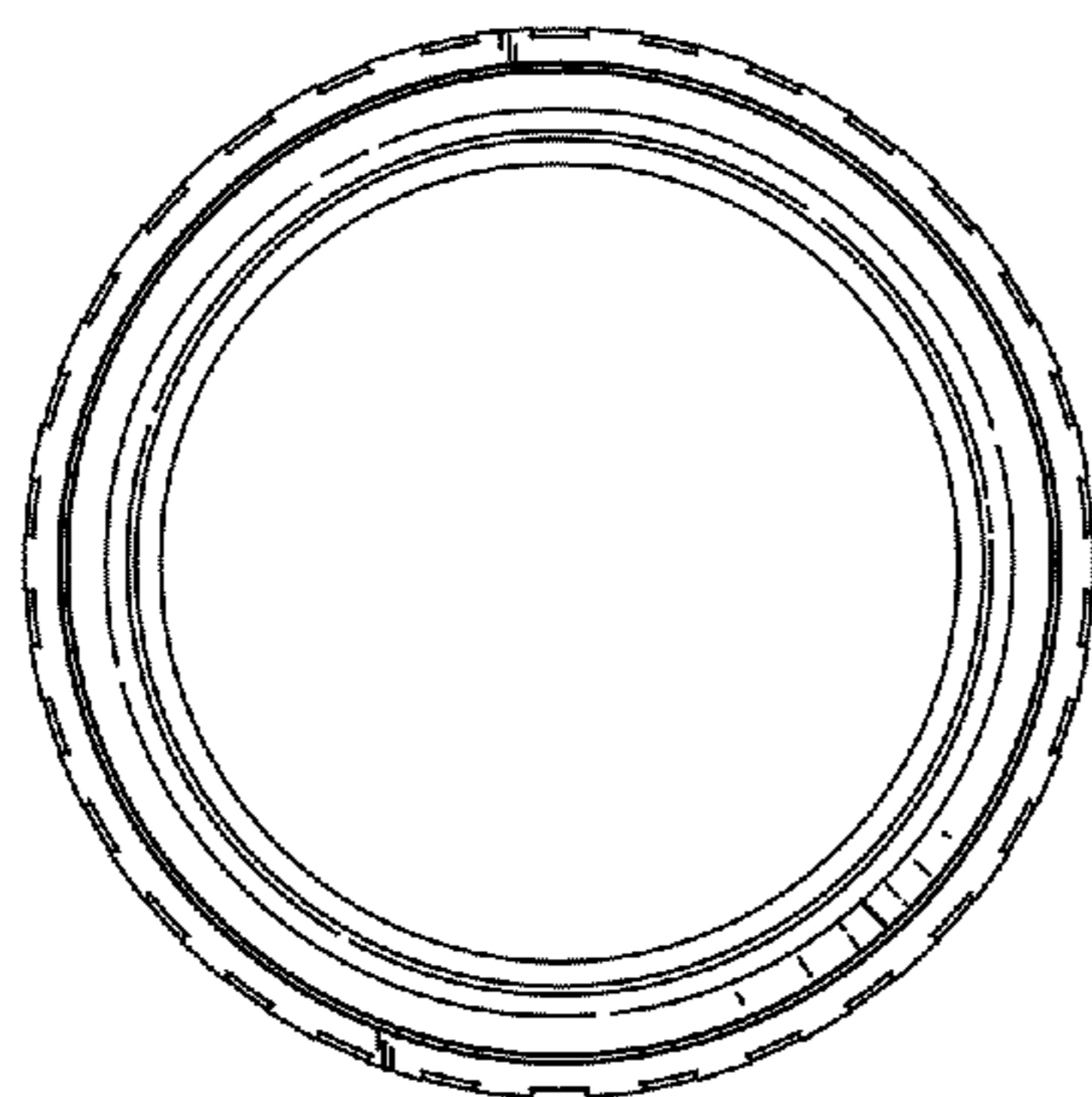


FIG. 6

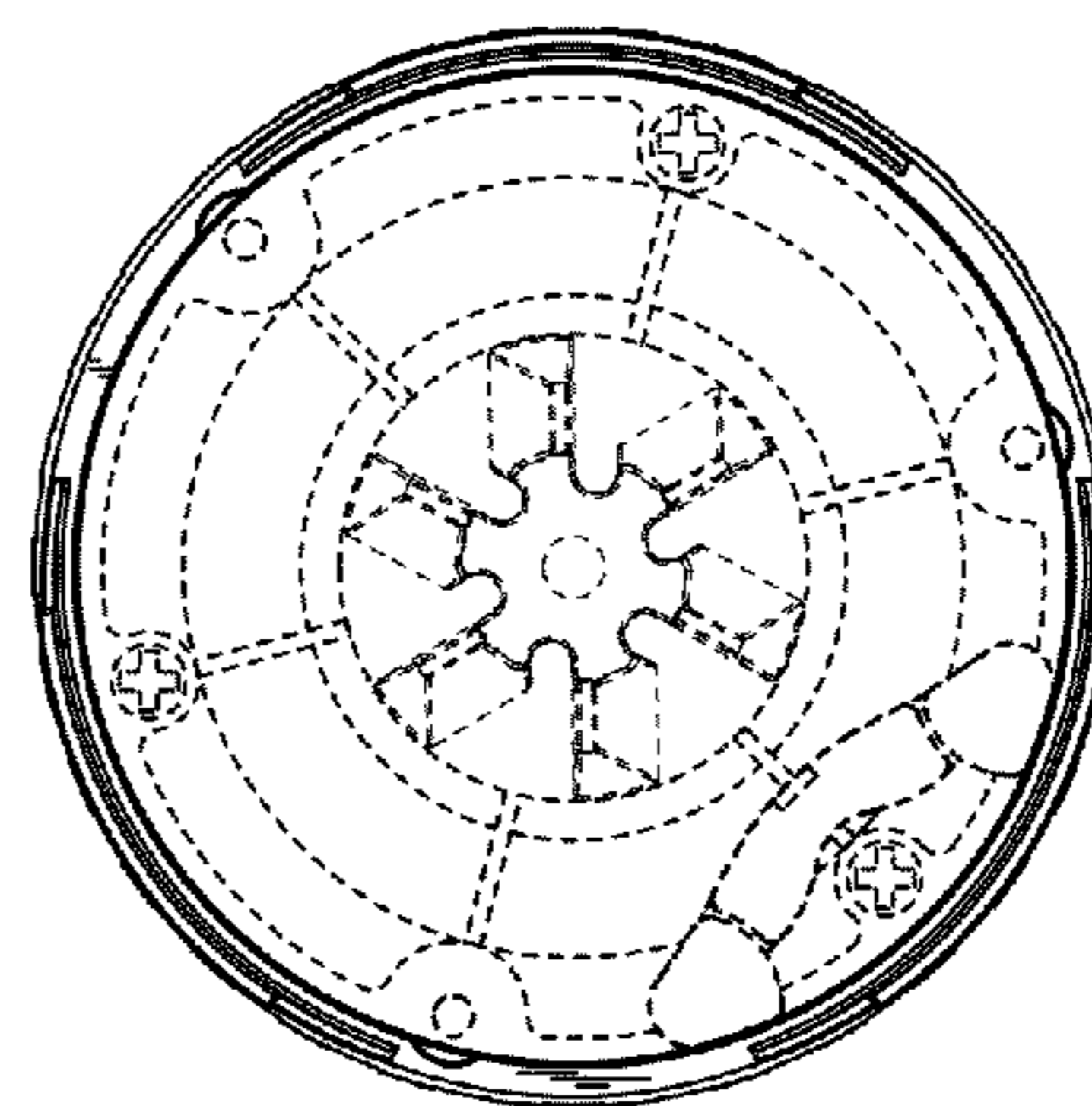


FIG. 7