

US00D668112S

(12) **United States Design Patent**
Börjesson

(10) **Patent No.:** **US D668,112 S**
(45) **Date of Patent:** **** Oct. 2, 2012**

(54) **OVEN PANEL**

(75) Inventor: **Per Börjesson**, Porcia (IT)

(73) Assignee: **Electrolux Home Products Corporation N.V.** (BE)

(**) Term: **14 Years**

(21) Appl. No.: **29/409,859**

(22) Filed: **Dec. 29, 2011**

(30) **Foreign Application Priority Data**

Jul. 1, 2011 (EM) 001885427

(51) **LOC (9) Cl.** **07-02**

(52) **U.S. Cl.** **D7/406**

(58) **Field of Classification Search** D7/340,
D7/348, 350.1–350.4, 351, 402, 405–406;
219/756–758, 391, 393, 395, 401; 126/19 M,
126/275 E; 99/348, 353, 367, 468; D32/3,
D32/28

See application file for complete search history.

D530,151 S 10/2006 Huxhold et al.
D530,979 S 10/2006 Huxhold et al.
D534,035 S 12/2006 Huxhold et al.
D538,105 S 3/2007 Huxhold et al.
D543,781 S 6/2007 Martin et al.
D547,609 S * 7/2007 Chung D7/406
D564,836 S 3/2008 Crookshanks et al.
D564,837 S * 3/2008 Green et al. D7/406
D568,682 S 5/2008 Crookshanks
D569,686 S 5/2008 Martin et al.
D571,149 S 6/2008 Crookshanks
D572,527 S 7/2008 Crookshanks
D586,616 S * 2/2009 Martin et al. D7/405
D586,617 S * 2/2009 Martin et al. D7/405
D592,009 S 5/2009 Crookshanks
D612,206 S 3/2010 Baker et al.
D612,207 S 3/2010 Baker et al.
D612,209 S 3/2010 Crookshanks
D612,679 S 3/2010 Baker et al.
D612,682 S 3/2010 Baker et al.
D618,404 S * 6/2010 Jenkins et al. D32/3
D618,406 S * 6/2010 Ott D32/3
D628,438 S 12/2010 Knochner
D642,751 S * 8/2011 Jenkins et al. D32/3
D645,621 S * 9/2011 Jenkins et al. D32/3
D645,702 S * 9/2011 Baacke et al. D7/405
D645,703 S * 9/2011 Sadtler D7/405
D653,821 S * 2/2012 Grobleben et al. D32/3

(Continued)

(56) **References Cited**

U.S. PATENT DOCUMENTS

D187,902 S * 5/1960 Poracki D7/406
D188,362 S * 7/1960 Poracki D7/406
D193,822 S * 10/1962 Clark et al. D7/340
D200,833 S * 4/1965 Boldt D7/348
D201,334 S * 6/1965 Gault D7/406
D271,269 S * 11/1983 Vetter et al. D7/407
D369,514 S * 5/1996 Baldwin D7/406
D397,909 S * 9/1998 Ashcraft et al. D7/405
D508,816 S * 8/2005 Tanaka D7/346
D512,873 S * 12/2005 Grutzke et al. D7/405
D513,153 S * 12/2005 Austin et al. D7/406
D513,463 S * 1/2006 Wong et al. D7/406
D513,684 S * 1/2006 Jackovin et al. D7/406
D516,379 S * 3/2006 Grutzke et al. D7/405
D516,862 S * 3/2006 Grutzke et al. D7/405

Primary Examiner — T. Chase Nelson
Assistant Examiner — Mark Cavanna
(74) *Attorney, Agent, or Firm* — Banner & Witcoff, Ltd.

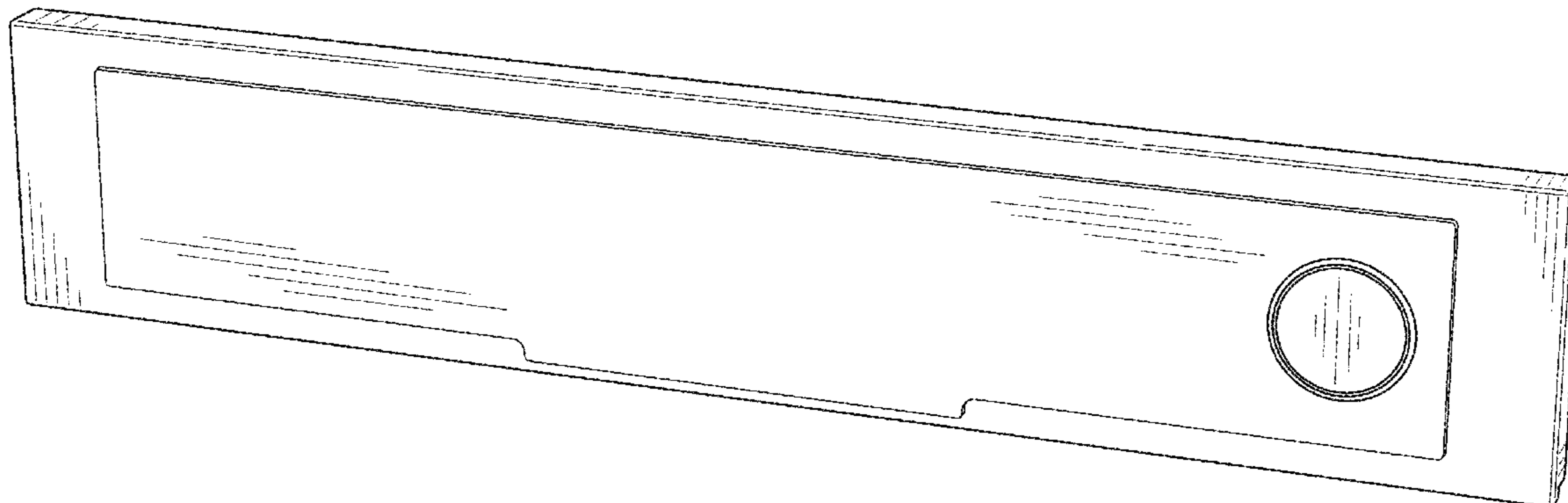
(57) **CLAIM**

The ornamental design for an oven panel, as shown and described.

DESCRIPTION

FIG. 1 is a perspective view of an oven panel showing my new design; and,
FIG. 2 is a front view thereof.

1 Claim, 2 Drawing Sheets



US D668,112 S

Page 2

U.S. PATENT DOCUMENTS

D654,298 S 2/2012 Benold
D654,299 S 2/2012 Benold
D654,312 S 2/2012 Benold

D654,313 S 2/2012 Benold
D654,314 S 2/2012 Benold

* cited by examiner

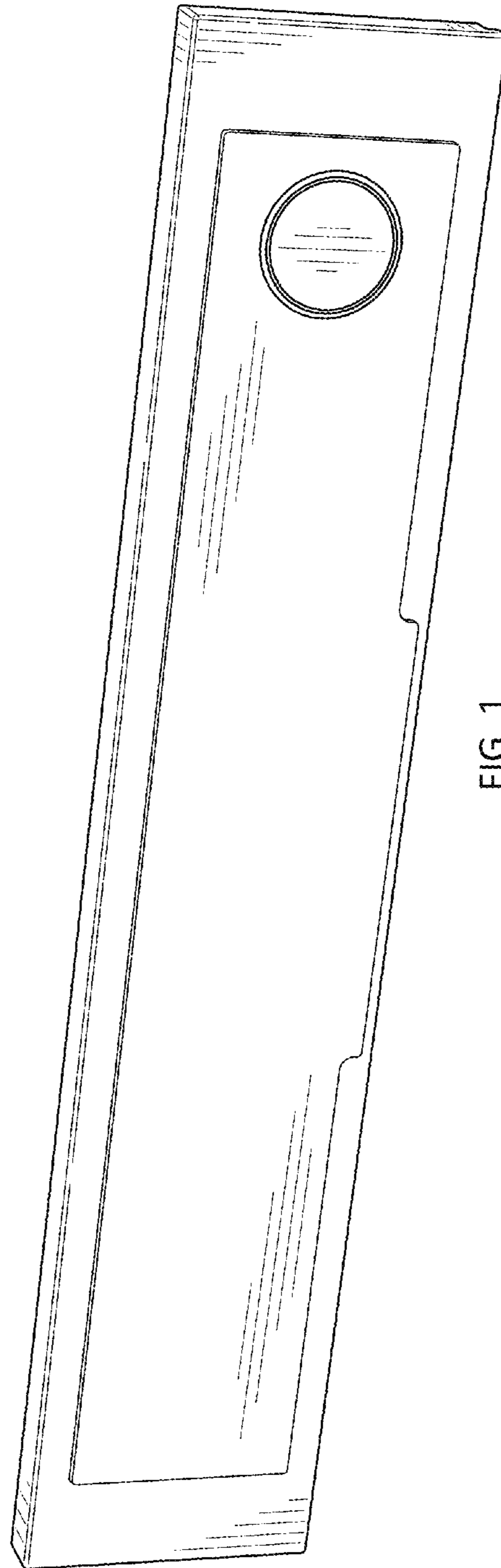


FIG. 1

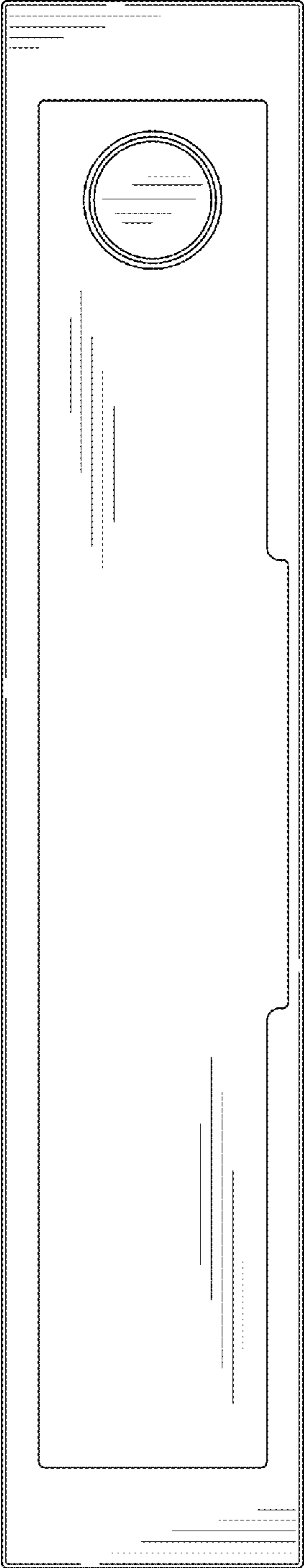


FIG. 2