



US00D668111S

(12) **United States Design Patent**  
**Börjesson**

(10) **Patent No.:** **US D668,111 S**  
(45) **Date of Patent:** **\*\* Oct. 2, 2012**

(54) **OVEN PANEL**  
(75) Inventor: **Per Börjesson, Porcia (IT)**  
(73) Assignee: **Electrolux Home Products Corporation N.V. (BE)**  
(\*\*) Term: **14 Years**  
(21) Appl. No.: **29/409,855**  
(22) Filed: **Dec. 29, 2011**  
(30) **Foreign Application Priority Data**  
Jul. 1, 2011 (EM) ..... 001885427  
(51) **LOC (9) Cl.** ..... **07-02**  
(52) **U.S. Cl.** ..... **D7/406**  
(58) **Field of Classification Search** ..... D7/340,  
D7/348, 350.1–350.4, 351, 402, 405–406;  
219/756–758, 3, 91, 393, 395, 401; 126/19 M,  
126/275 E; 99/348, 353, 367, 468; D32/3,  
D32/28  
See application file for complete search history.

D530,151 S 10/2006 Huxhold et al.  
D530,979 S 10/2006 Huxhold et al.  
D534,035 S 12/2006 Huxhold et al.  
D538,105 S 3/2007 Huxhold et al.  
D543,781 S 6/2007 Martin et al.  
D547,609 S \* 7/2007 Chung ..... D7/406  
D564,836 S 3/2008 Crookshanks et al.  
D564,837 S \* 3/2008 Green et al. .... D7/406  
D568,682 S 5/2008 Crookshanks  
D569,686 S 5/2008 Martin et al.  
D571,149 S 6/2008 Crookshanks  
D572,527 S 7/2008 Crookshanks  
D586,616 S \* 2/2009 Martin et al. .... D7/405  
D586,617 S \* 2/2009 Martin et al. .... D7/405  
D592,009 S 5/2009 Crookshanks  
D612,206 S 3/2010 Baker et al.  
D612,207 S 3/2010 Baker et al.  
D612,209 S 3/2010 Crookshanks  
D612,679 S 3/2010 Baker et al.  
D612,682 S 3/2010 Baker et al.  
D618,404 S \* 6/2010 Jenkins et al. .... D32/3  
D618,406 S \* 6/2010 Ott ..... D32/3  
D628,438 S 12/2010 Knochner  
D642,751 S \* 8/2011 Jenkins et al. .... D32/3  
D645,621 S \* 9/2011 Jenkins et al. .... D32/3  
D645,702 S \* 9/2011 Baacke et al. .... D7/405  
D645,703 S \* 9/2011 Sadtler ..... D7/405  
D653,821 S \* 2/2012 Grobleben et al. .... D32/3

(Continued)

(56) **References Cited**  
**U.S. PATENT DOCUMENTS**  
D187,902 S \* 5/1960 Porachi ..... D7/406  
D188,362 S \* 7/1960 Porachi ..... D7/406  
D193,822 S \* 10/1962 Clark et al. .... D7/340  
D200,833 S \* 4/1965 Boldt ..... D7/348  
D201,334 S \* 6/1965 Gault ..... D7/406  
D271,269 S \* 11/1983 Vetter et al. .... D7/407  
D369,514 S \* 5/1996 Baldwin ..... D7/406  
D397,909 S \* 9/1998 Ashcraft et al. .... D7/405  
D508,816 S \* 8/2005 Tanaka ..... D7/346  
D512,873 S \* 12/2005 Grutzke et al. .... D7/405  
D513,153 S \* 12/2005 Austin et al. .... D7/406  
D513,463 S \* 1/2006 Wong et al. .... D7/406  
D513,684 S \* 1/2006 Jackovin et al. .... D7/406  
D516,379 S \* 3/2006 Grutzke et al. .... D7/405  
D516,862 S \* 3/2006 Grutzke et al. .... D7/405

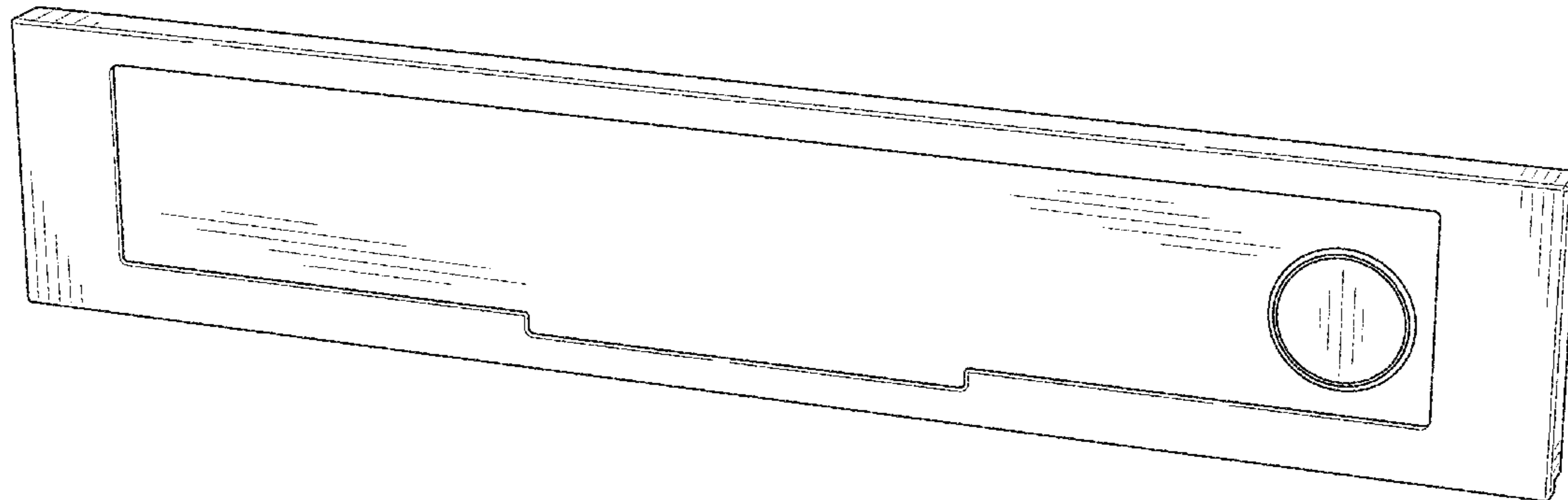
*Primary Examiner* — T. Chase Nelson  
*Assistant Examiner* — Mark Cavanna  
(74) *Attorney, Agent, or Firm* — Banner & Witcoff, Ltd.

(57) **CLAIM**  
The ornamental design for an oven panel, as shown and described.

**DESCRIPTION**

FIG. 1 is a perspective view of an oven panel showing my new design; and,  
FIG. 2 is a front view thereof.

**1 Claim, 2 Drawing Sheets**



# US D668,111 S

Page 2

---

## U.S. PATENT DOCUMENTS

D654,298 S 2/2012 Benold  
D654,299 S 2/2012 Benold  
D654,312 S 2/2012 Benold

D654,313 S 2/2012 Benold  
D654,314 S 2/2012 Benold

\* cited by examiner

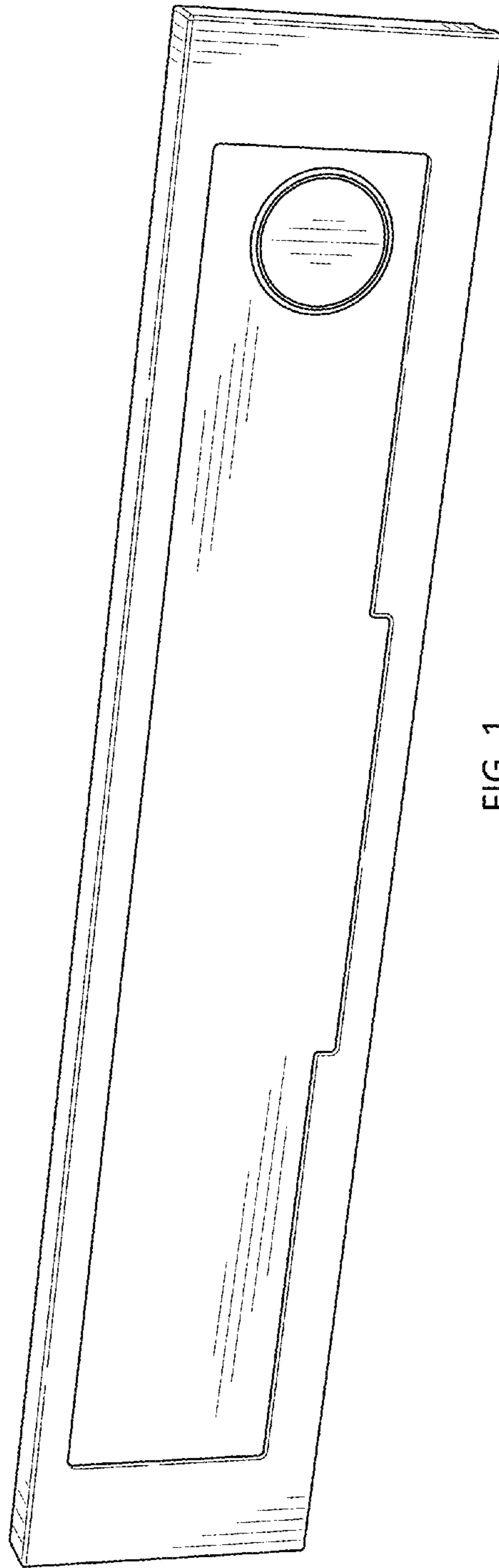


FIG. 1

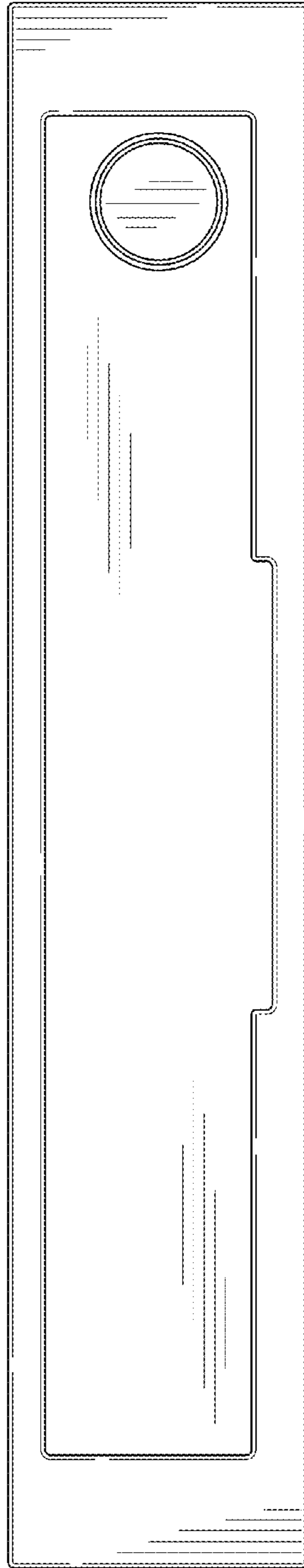


FIG. 2