

US00D668105S

(12) **United States Design Patent**  
**Funnell, II et al.**

(10) **Patent No.:** **US D668,105 S**  
(45) **Date of Patent:** **\*\* Oct. 2, 2012**

(54) **DOOR/DRAWER ARRAY FOR AN OVEN OR RANGE APPLIANCE**

(75) Inventors: **Richard W. Funnell, II**, Huntington Beach, CA (US); **Jonathan Grey**, Huntersville, NC (US); **Graham Sadtler**, Huntington Beach, CA (US)

(73) Assignee: **BSH Home Appliances Corporation**, Irvine, CA (US)

(\*\*) Term: **14 Years**

(21) Appl. No.: **29/409,181**

(22) Filed: **Dec. 21, 2011**

**Related U.S. Application Data**

(62) Division of application No. 29/389,416, filed on Apr. 12, 2011, now Pat. No. Des. 656,776.

(51) **LOC (9) Cl.** ..... **07-02**

(52) **U.S. Cl.** ..... **D7/405**

(58) **Field of Classification Search** ..... D7/339-441, D7/346-349, 350.1-350.4, 402, 405-406; 126/19 R, 21 A, 21 R, 39 B, 39 C, 239 R, 126/273 A, 273 R; 219/391-394, 756-758; 99/DIG. 14

See application file for complete search history.

(56) **References Cited**

**U.S. PATENT DOCUMENTS**

D468,962 S \* 1/2003 Jones et al. .... D7/405  
D470,720 S \* 2/2003 Jones et al. .... D7/405

D477,177 S \* 7/2003 Jeong ..... D7/340  
D510,227 S \* 10/2005 Baldwin ..... D7/340  
D521,317 S \* 5/2006 Hessen et al. .... D7/405  
D524,094 S \* 7/2006 Home ..... D7/340  
D524,095 S \* 7/2006 Pino et al. .... D7/349  
D525,476 S \* 7/2006 Bengtson et al. .... D7/349  
D527,948 S \* 9/2006 Bengtson ..... D7/405  
D539,088 S \* 3/2007 Logan et al. .... D7/405  
D539,591 S \* 4/2007 Bengtson et al. .... D7/349  
D540,619 S \* 4/2007 Kim ..... D7/405  
D612,209 S \* 3/2010 Crookshanks ..... D7/405  
D612,680 S \* 3/2010 Baker et al. .... D7/405  
D612,682 S \* 3/2010 Baker et al. .... D7/405  
D651,460 S \* 1/2012 Sadtler ..... D7/405

\* cited by examiner

*Primary Examiner* — T. Chase Nelson

*Assistant Examiner* — Mark Cavanna

(74) *Attorney, Agent, or Firm* — James E. Howard; Andre Pallapies

(57) **CLAIM**

The ornamental design for door/drawer array for an oven or range appliance, as shown and described.

**DESCRIPTION**

FIG. 1 is a front perspective view of a door/drawer array for an oven or range appliance according to our new ornamental design;

FIG. 2 is a front view thereof;

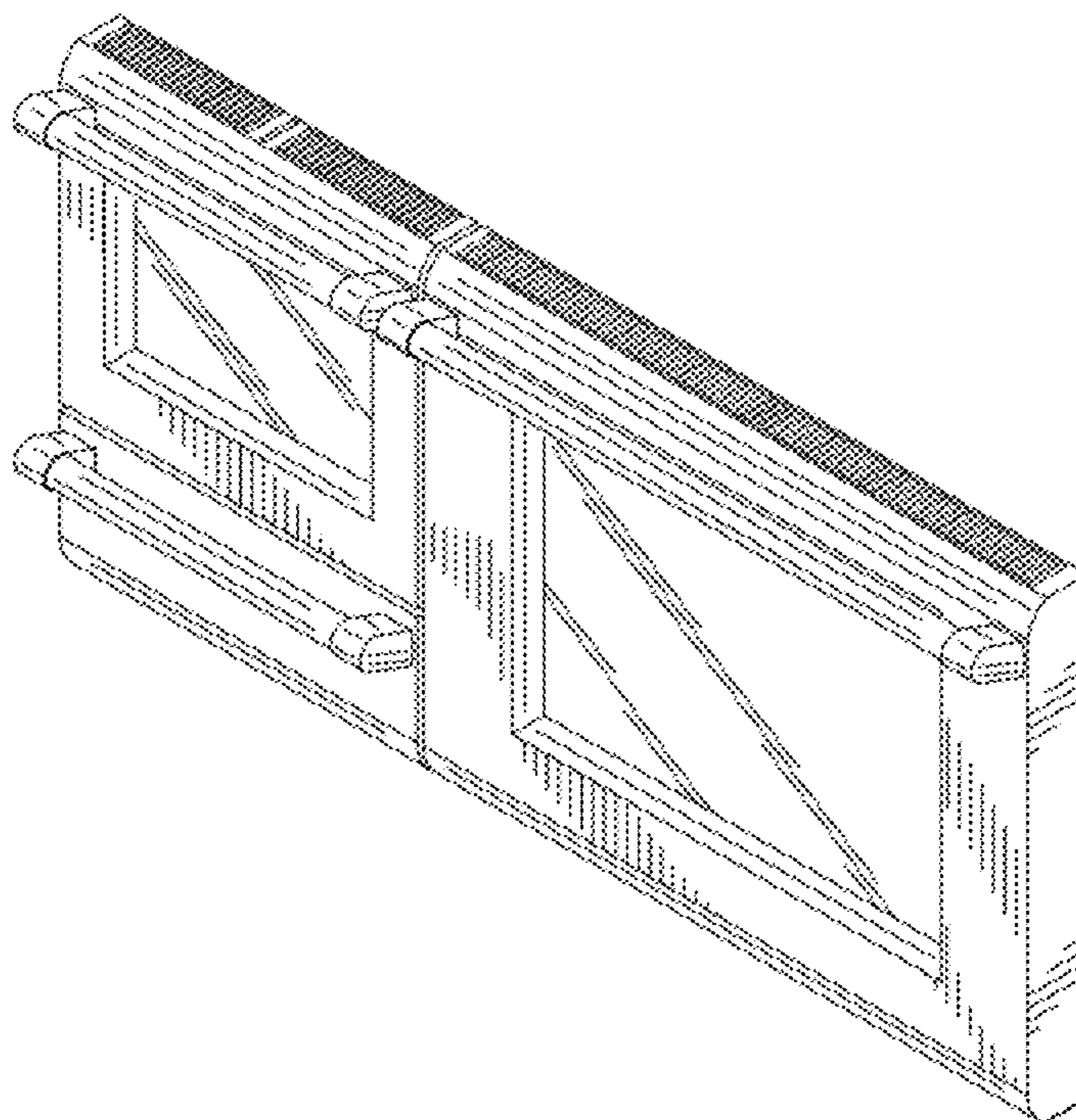
FIG. 3 is a top view thereof;

FIG. 4 is a bottom view thereof;

FIG. 5 is a right side view thereof; and,

FIG. 6 is a left side view thereof.

**1 Claim, 3 Drawing Sheets**



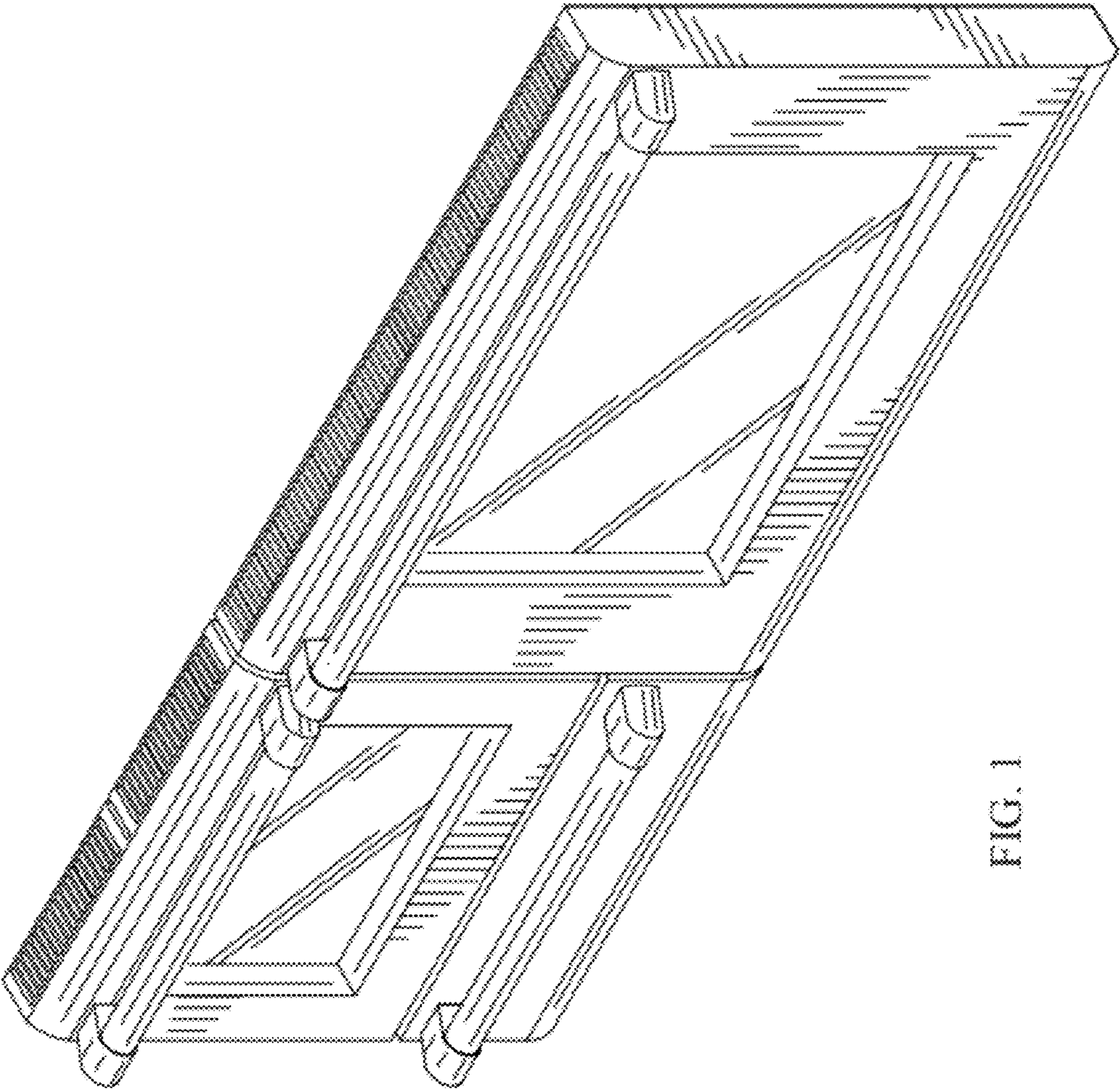


FIG. 1

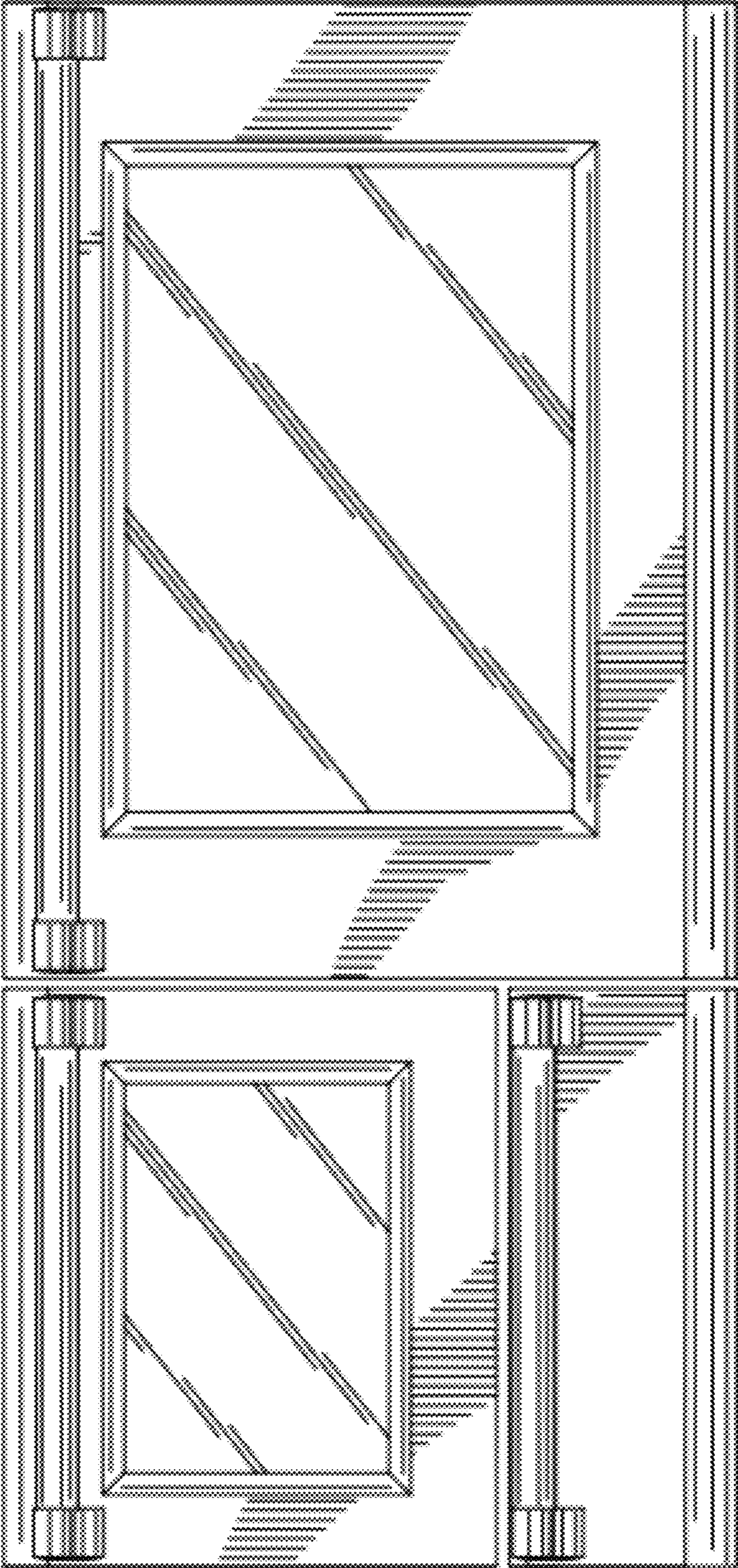


FIG. 2

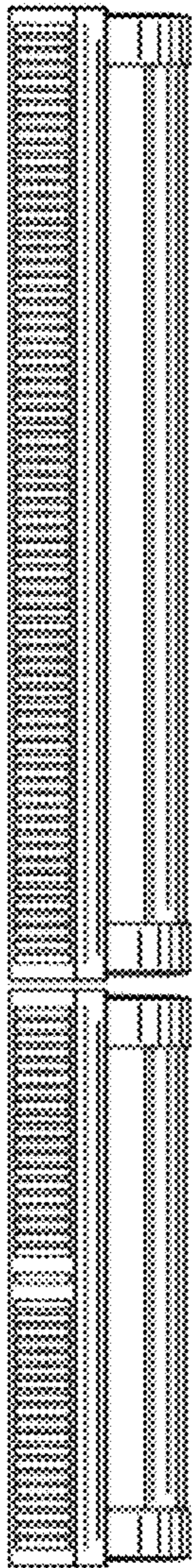


FIG. 3

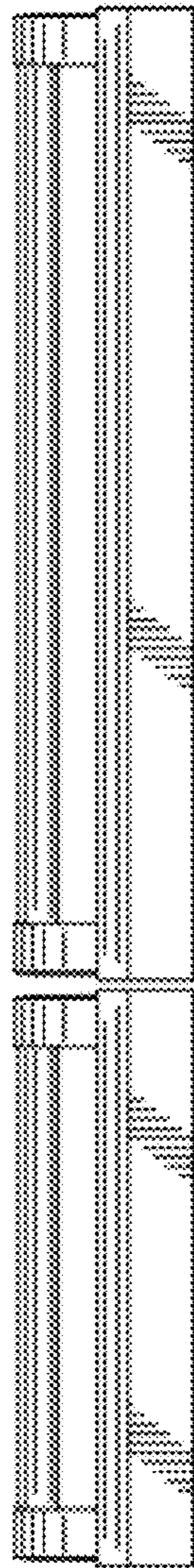


FIG. 4

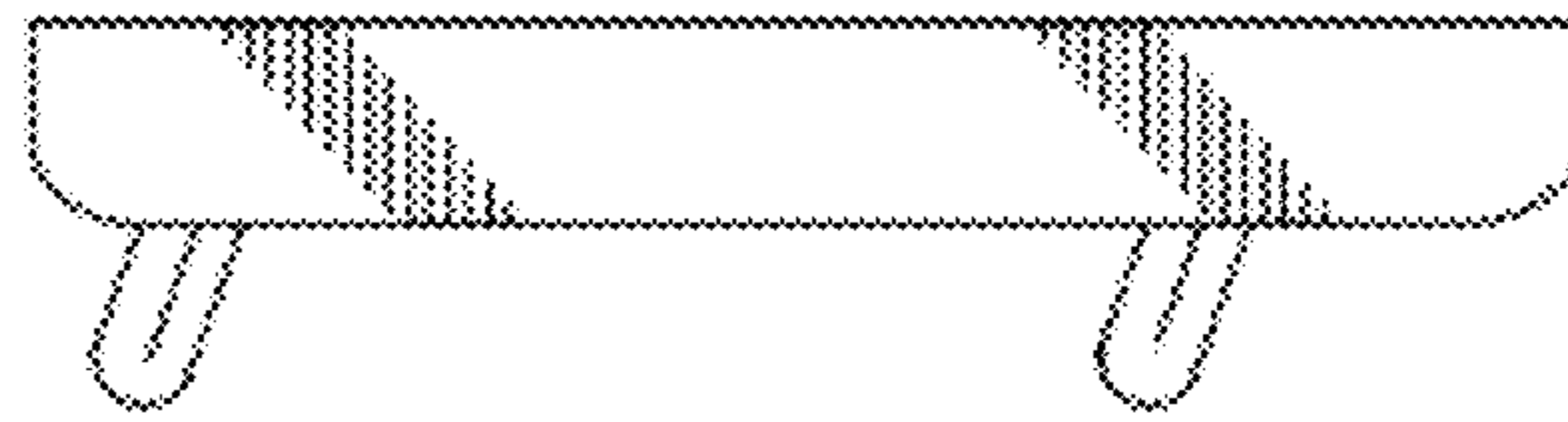


FIG. 5

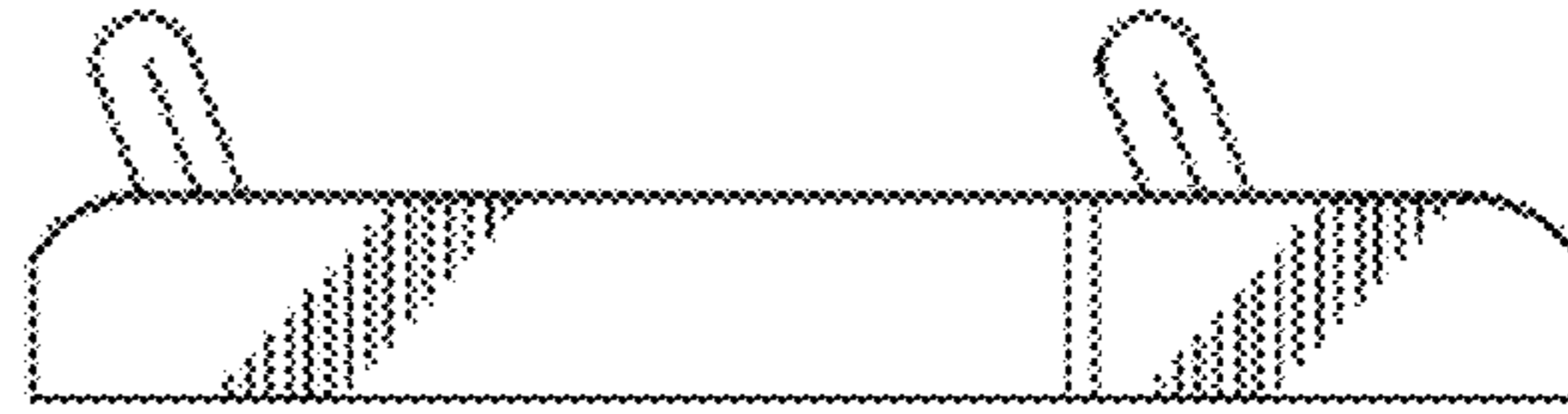


FIG. 6