

US00D668103S

(12) **United States Design Patent**
Cloutier et al.

(10) **Patent No.:** **US D668,103 S**

(45) **Date of Patent:** **** Oct. 2, 2012**

(54) **COOKING RACK WITH PIVOTING SUPPORTS**

(75) Inventors: **Andre Dean Cloutier**, Blaine, WA (US);
Adriana Collins, Bellingham, WA (US);
Debra Lynne Sasken-Duff, Blaine, WA (US)

(73) Assignee: **Magellan Group, Ltd.**, Blaine, WA (US)

(**) Term: **14 Years**

(21) Appl. No.: **29/408,589**

(22) Filed: **Dec. 14, 2011**

(51) **LOC (9) Cl.** **07-02**

(52) **U.S. Cl.** **D7/402; D7/409**

(58) **Field of Classification Search** D6/462-463,
D6/513, 566, 323; D7/323, 329-332, 337,
D7/339, 346-347, 354-363, 387, 391, 393,
D7/395, 402, 408, 409, 411, 504, 404, 637-638,
D7/601, 704, 669, 368; 220/485, 491, 573.1-573.5,
220/759, 912; 99/324-325, 331-332, 337-340,
99/355, 369, 403-419, 425-426, 444, 450;
211/41.2, 57.1, 74, 85.4, 106, 181.1

See application file for complete search history.

(56) **References Cited**

U.S. PATENT DOCUMENTS

D124,197 S * 12/1940 Lynch D7/409
D131,059 S * 1/1942 Lynch D7/409

2,360,026 A * 10/1944 Wall 99/426
D341,523 S * 11/1993 Tiemann D7/688
D538,106 S * 3/2007 Julian D7/409
D542,092 S * 5/2007 Raichlen et al. D7/409
D629,251 S * 12/2010 Tiemann D7/402

* cited by examiner

Primary Examiner — T. Chase Nelson

Assistant Examiner — Mark Cavanna

(74) *Attorney, Agent, or Firm* — Dwayne Rogge; Schacht Law Office, Inc

(57) **CLAIM**

The ornamental design for a cooking rack with pivoting supports, as shown and described.

DESCRIPTION

FIG. 1 is a perspective view of a cooking rack with pivoting supports with the rack supports shown in a fully vertical position, showing our new design;

FIG. 2 is a front view thereof with the rear view being an identical image thereof.

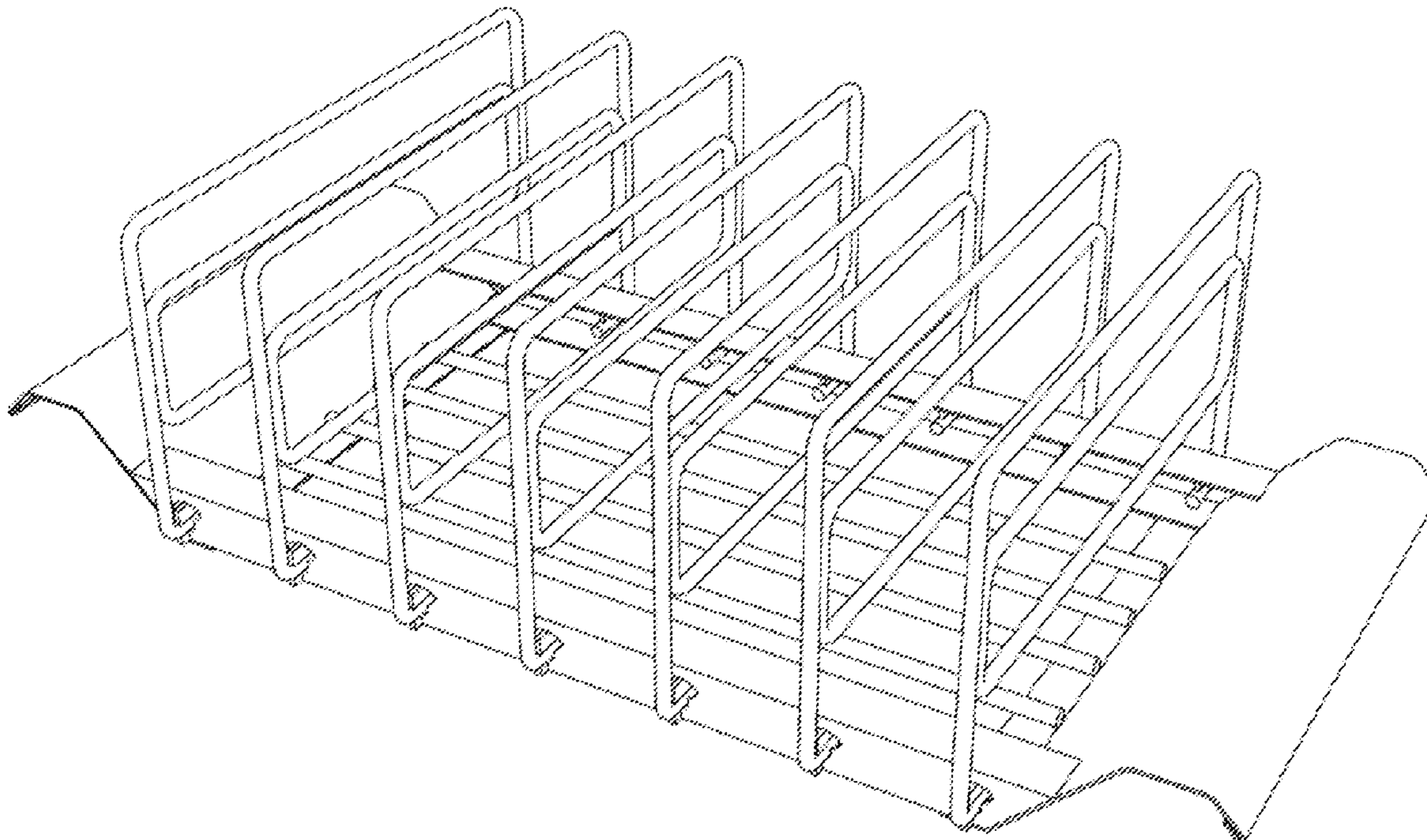
FIG. 3 is a top view thereof.

FIG. 4 is a bottom view thereof.

FIG. 5 is a left side view thereof with the right side view being an identical image; and,

FIG. 6 is a left side view of the cooking rack with pivoting supports shown in condition of use with the left five (5) rack supports pivoted to a rearward position, and the right two (2) rack supports pivoted to a forward position wherein the right side view being an mirror image thereof.

1 Claim, 6 Drawing Sheets



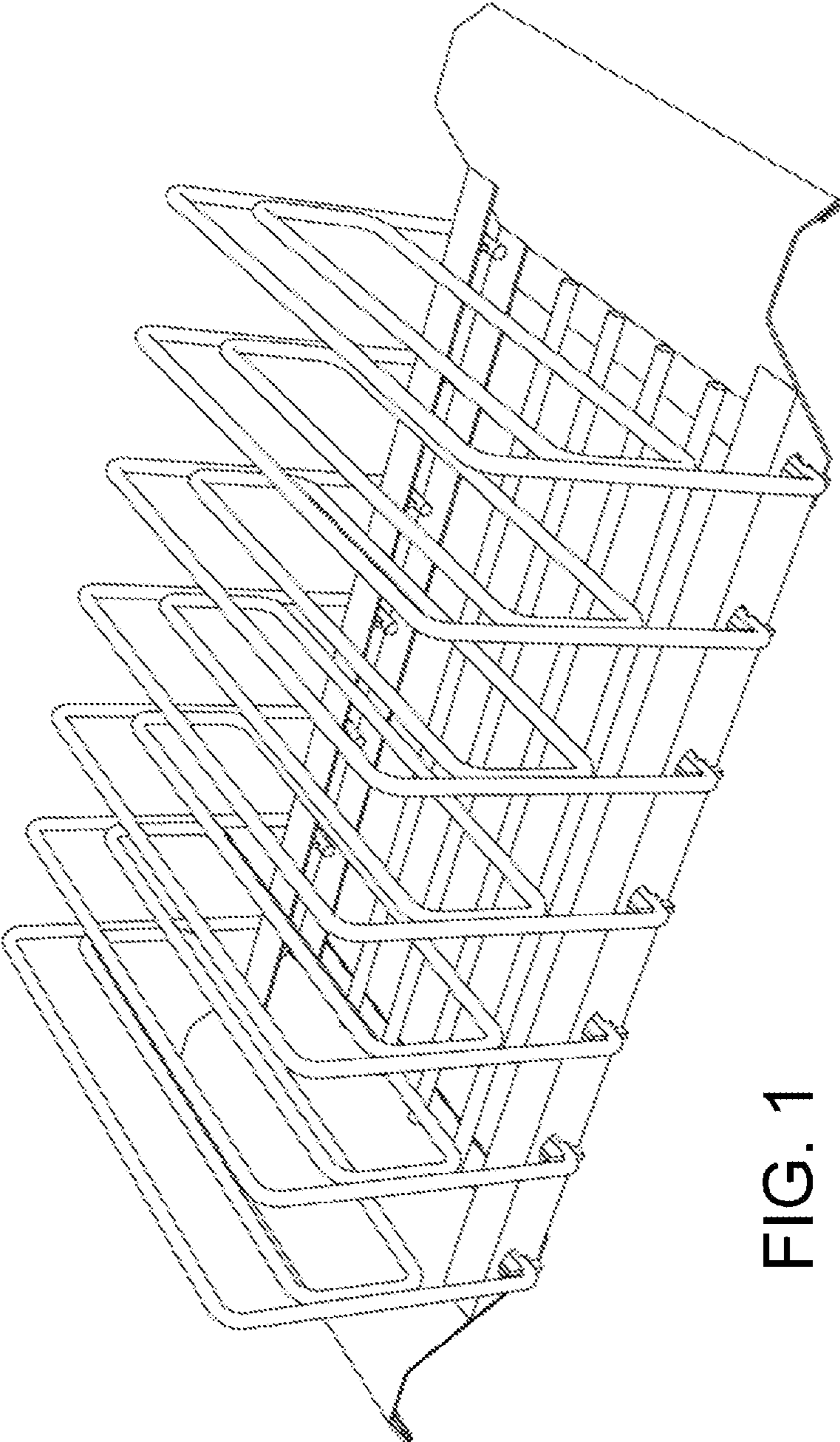


FIG. 1

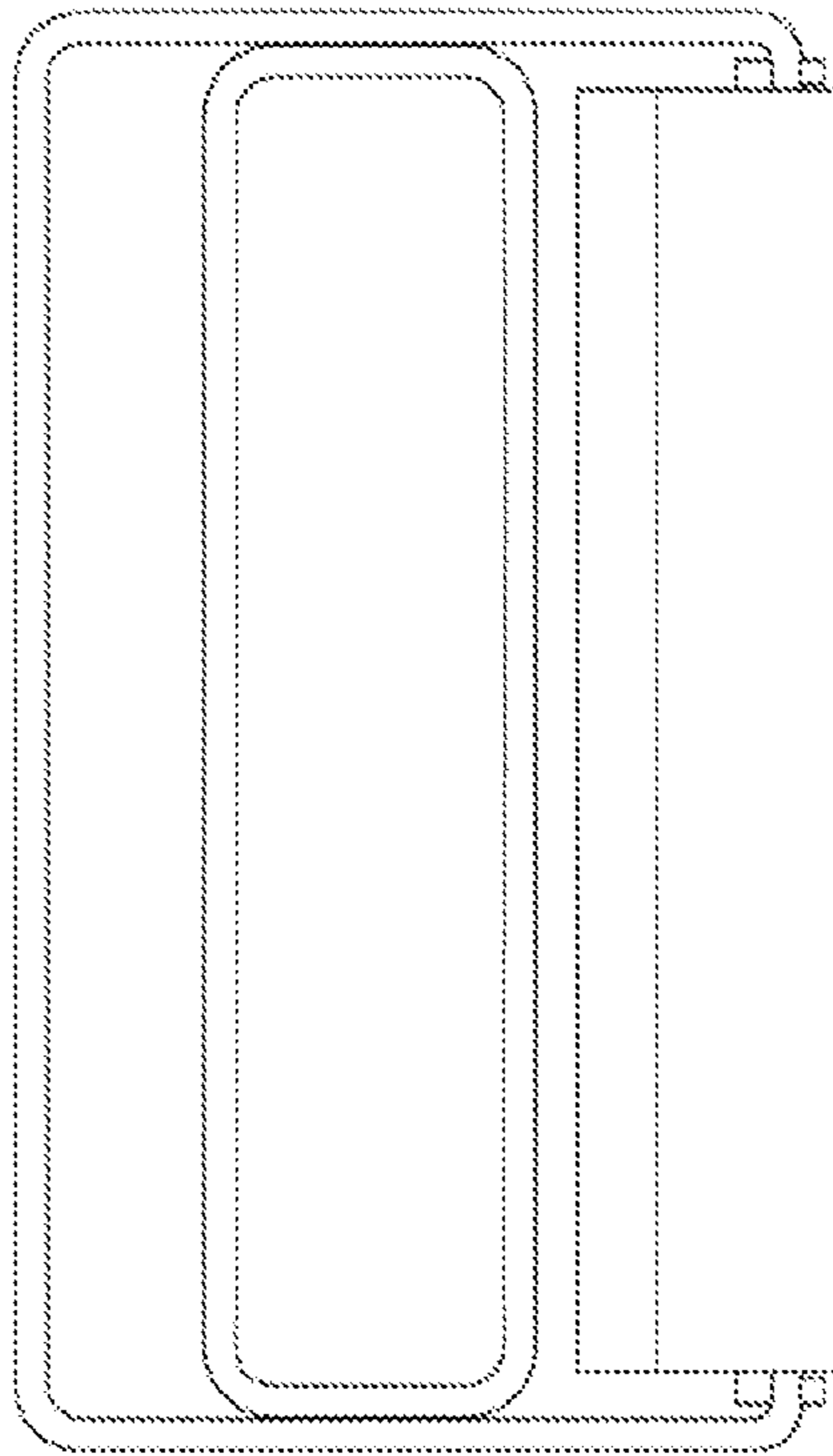


FIG. 2

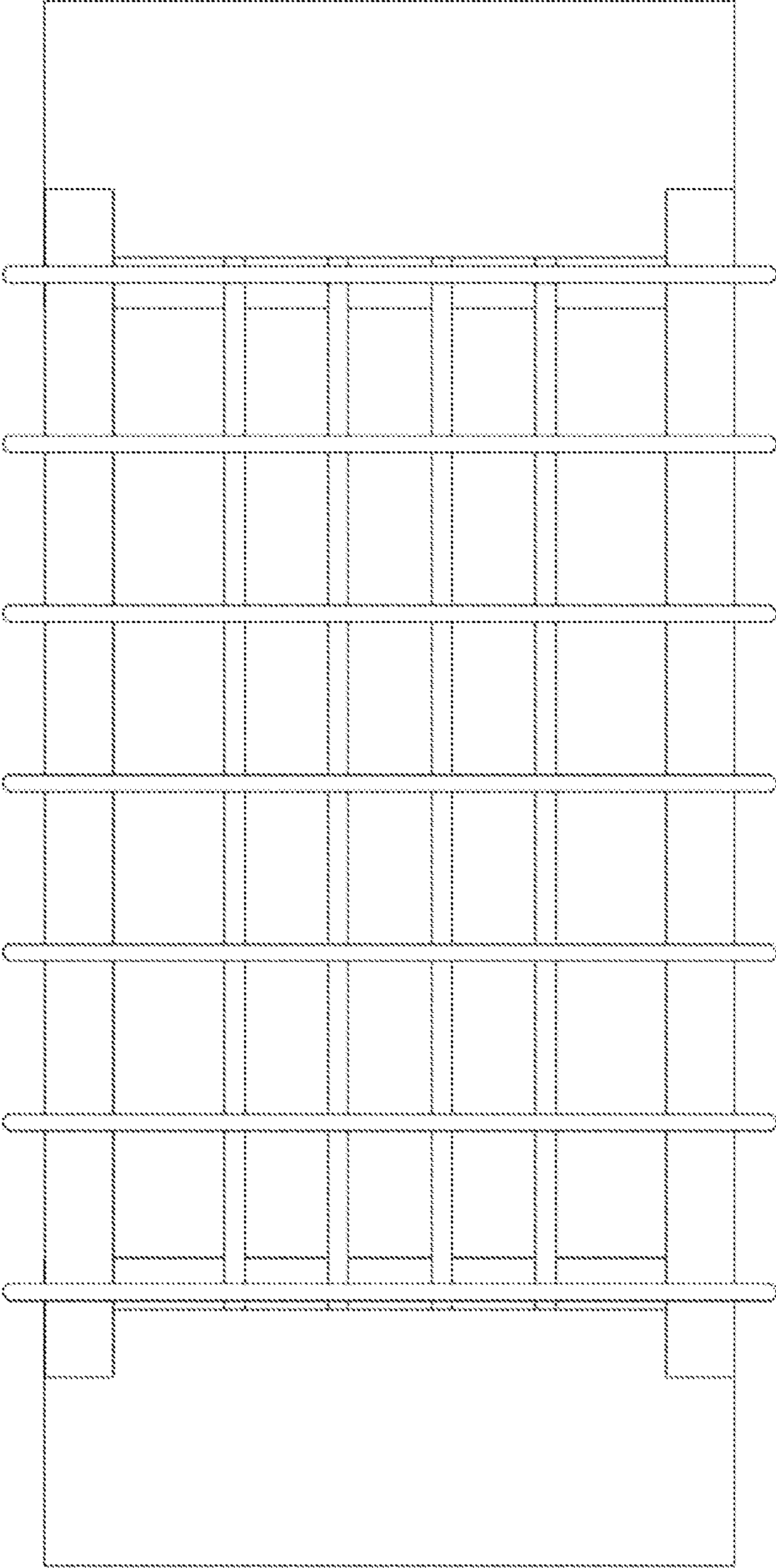


FIG. 3

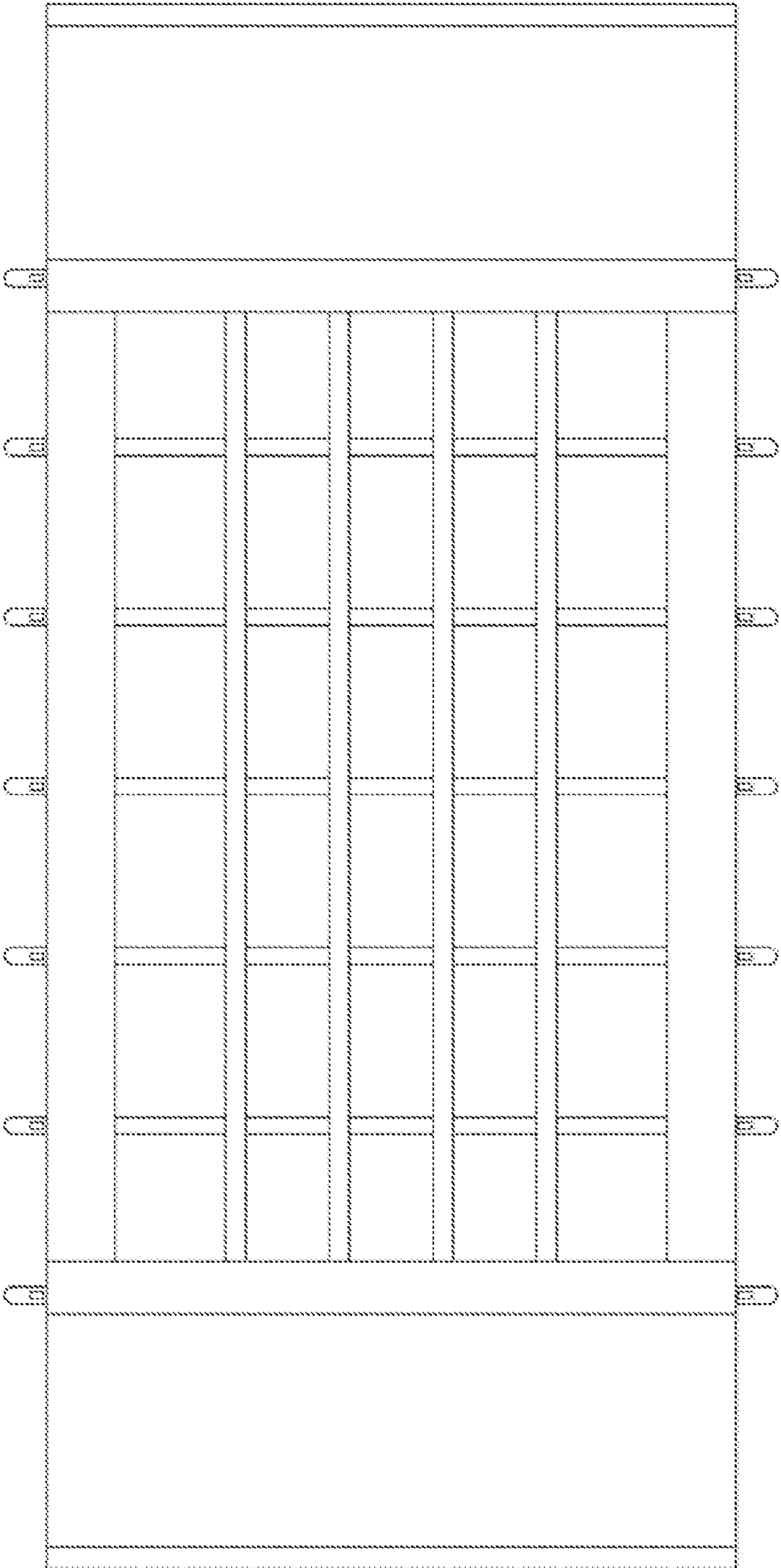


FIG. 4

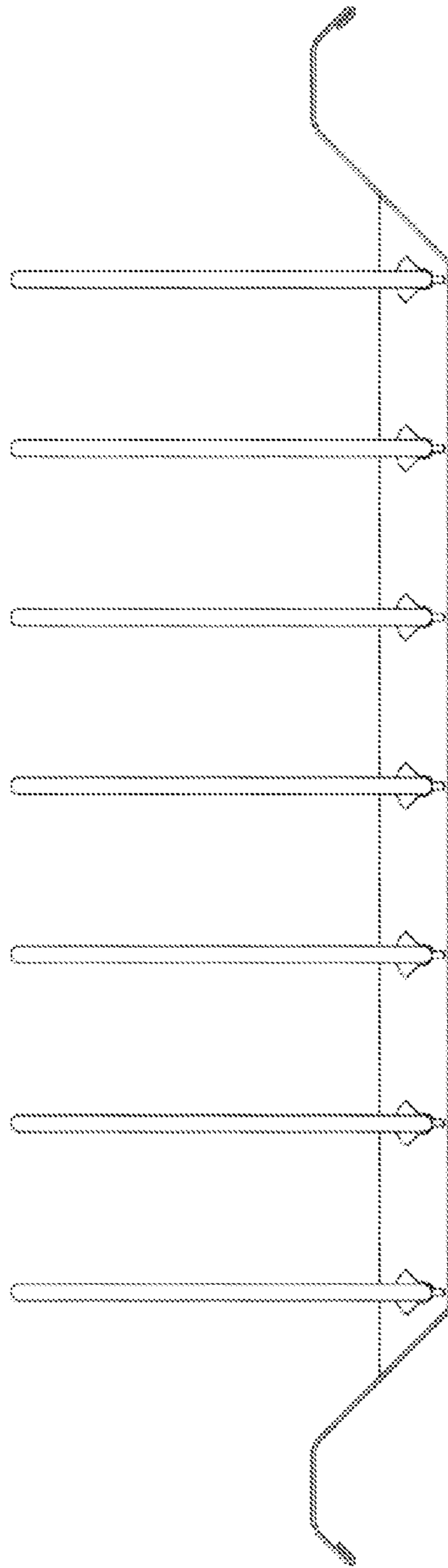


FIG. 5

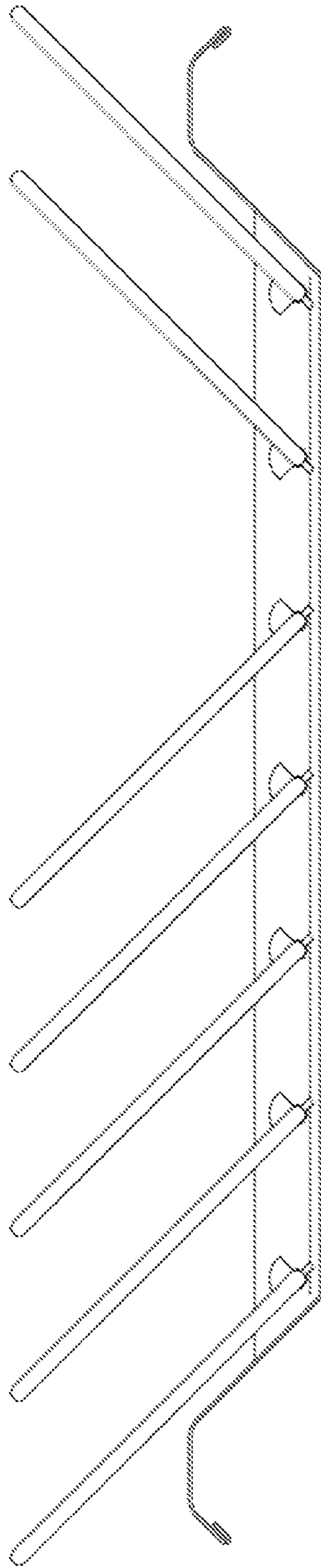


Fig. 6