



US00D668098S

(12) **United States Design Patent**
Sapire

(10) **Patent No.:** **US D668,098 S**

(45) **Date of Patent:** **** Oct. 2, 2012**

(54) **STEAMER**

(75) Inventor: **Colin Sapire**, Los Angeles, CA (US)

(73) Assignee: **Baby Bullet, LLC**, Los Angeles, CA (US)

(**) Term: **14 Years**

(21) Appl. No.: **29/415,249**

(22) Filed: **Mar. 8, 2012**

D554,936 S * 11/2007 Kim D7/357
D569,677 S * 5/2008 Poon D7/357
D578,336 S * 10/2008 Kim D7/354
7,717,031 B1 * 5/2010 Cornfield 99/413

(Continued)

Primary Examiner — Ricky Pham

(74) *Attorney, Agent, or Firm* — Trojan Law Offices

(57) **CLAIM**

The ornamental design for a steamer, as shown and described.

Related U.S. Application Data

(63) Continuation of application No. 29/398,311, filed on Jul. 28, 2011, now Pat. No. Des. 655,566.

(51) **LOC (9) Cl.** **07-02**

(52) **U.S. Cl.** **D7/354**

(58) **Field of Classification Search** D7/323,
D7/329–332, 339, 346–347, 350.1–350.4,
D7/353–367, 391, 393, 395, 402, 406, 538,
D7/502, 539, 613, 615, 628, 669; D28/73;
99/324–325, 331–332, 337–348, 369, 400–418,
99/422, 425, 444, 451, 483, 644; 219/400,
219/405, 429–442, 620–624, 725, 730–735;
220/203.05, 203.07, 203.09, 298, 315–316,
220/573.1–573.5, 632, 912; 426/438, 441,
426/510

See application file for complete search history.

(56) **References Cited**

U.S. PATENT DOCUMENTS

D347,142 S * 5/1994 Falvo D7/391
D436,286 S * 1/2001 Lin D7/354
D454,982 S * 3/2002 Renfrew D28/73
D463,712 S * 10/2002 Josancy D7/356
D488,951 S * 4/2004 Josancy D7/356
D517,857 S * 3/2006 Poon D7/356

DESCRIPTION

FIG. 1 is a front perspective view of a steamer of my new design;

FIG. 2 is a front view of the steamer shown in FIG. 1;

FIG. 3 is a rear view of the steamer shown in FIG. 1;

FIG. 4 is a top view of the steamer shown in FIG. 1;

FIG. 5 is a side view of the steamer shown in FIG. 1; the opposite side of the view shown in FIG. 5 is a mirror image of the side view shown;

FIG. 6 is a front perspective view of a lid of the steamer shown in FIG. 1;

FIG. 7 is a front view of the lid of the steamer shown in FIG. 1;

FIG. 8 is a top view of the lid of the steamer shown in FIG. 1;

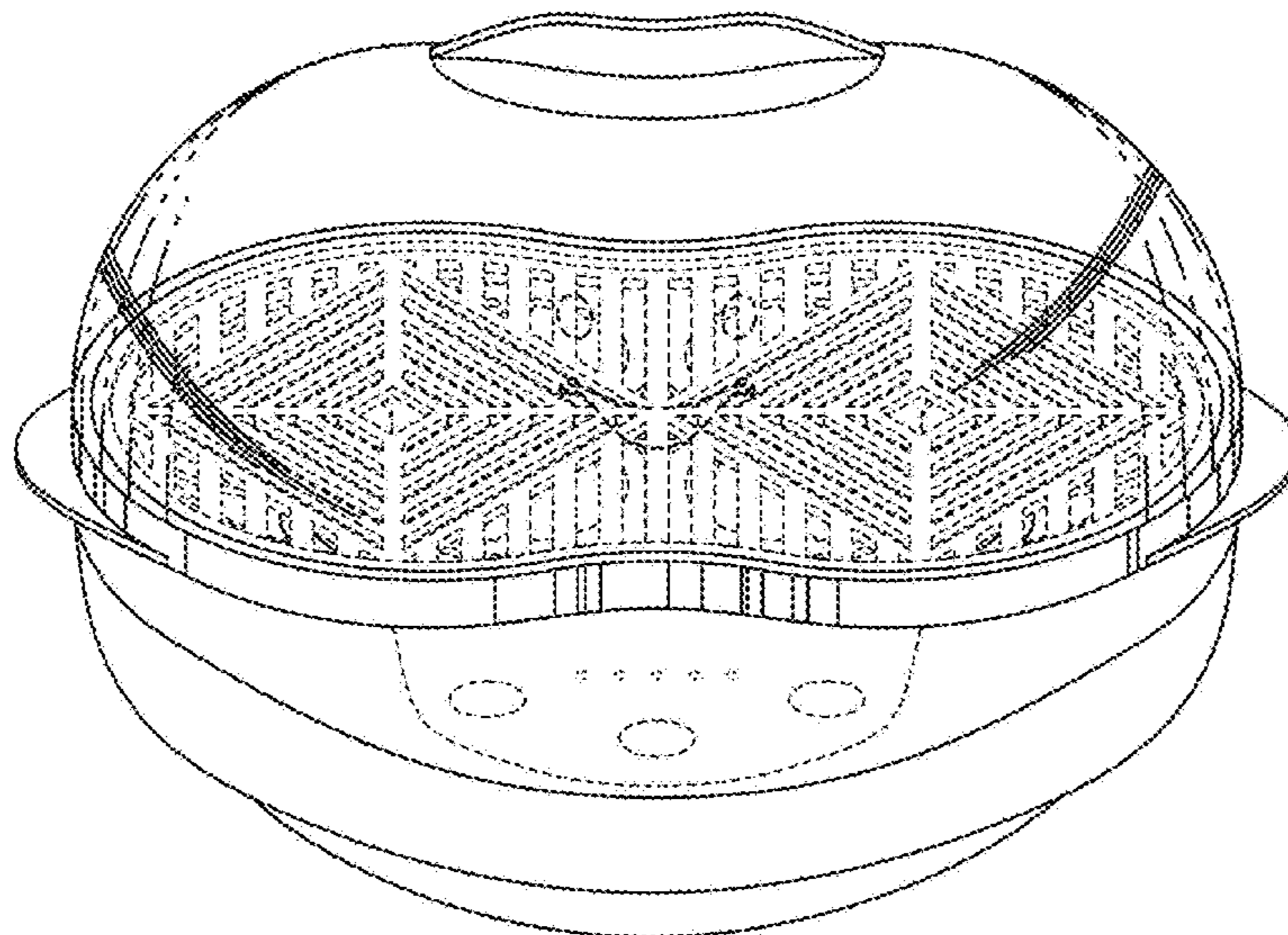
FIG. 9 is a top view of the body of the steamer shown in FIG. 1; and,

FIG. 10 is a side view of the body of the steamer shown in FIG. 1; the opposite side of the view shown in FIG. 10 is a mirror image of the side view shown.

The lid and body of the steamer have been shown individually for ease of illustration.

The broken lines in FIGS. 1-4 and FIGS. 6-9 are for illustrative purposes only and form no part of the claimed design.

1 Claim, 6 Drawing Sheets



US D668,098 S

Page 2

U.S. PATENT DOCUMENTS

* cited by examiner

D628,021	S	*	11/2010	Curtin	D7/629
D640,086	S	*	6/2011	Day et al.	D7/357
D655,566	S	*	3/2012	Sapire	D7/354

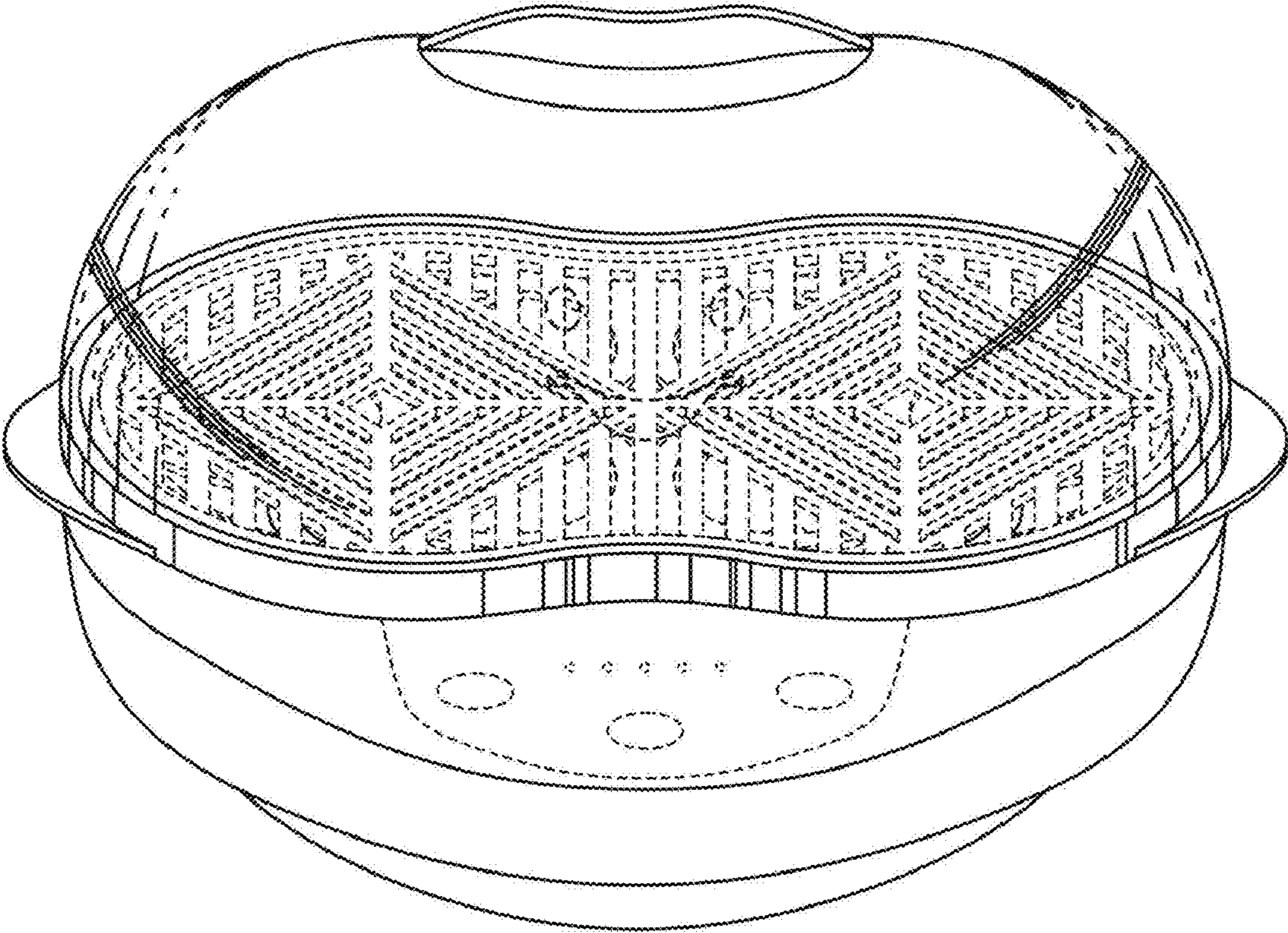


Fig. 1

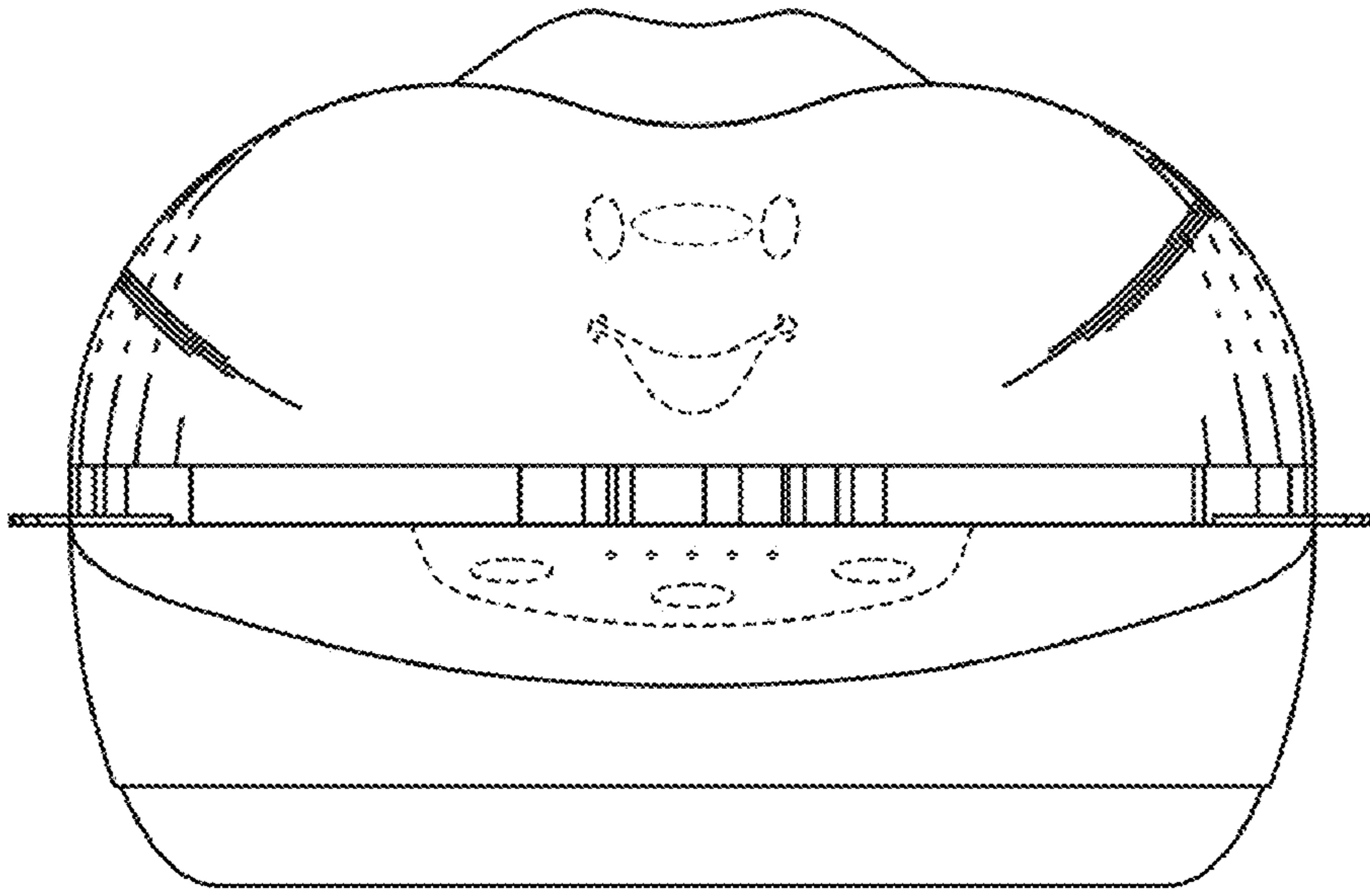


Fig. 2

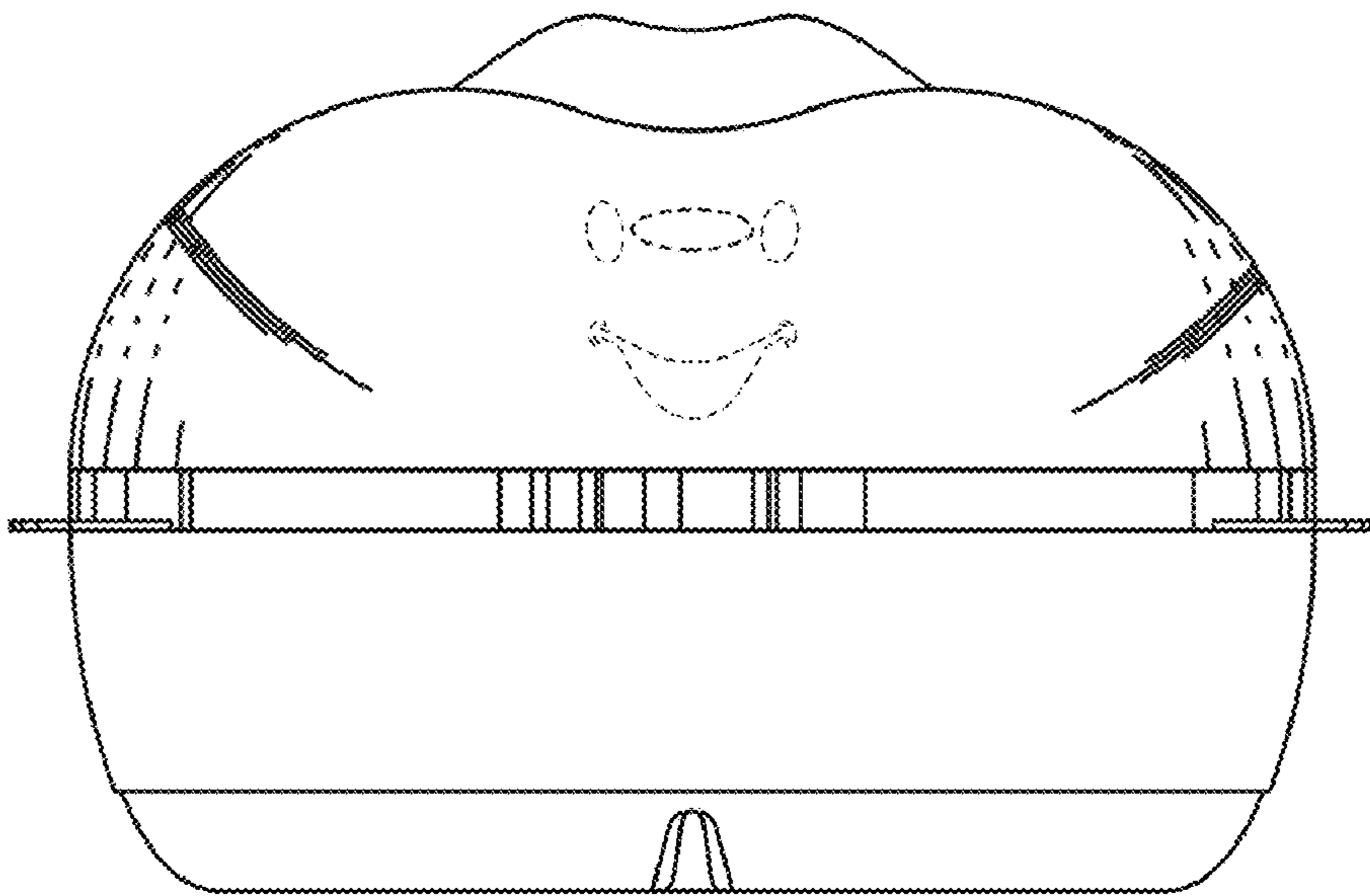


Fig. 3

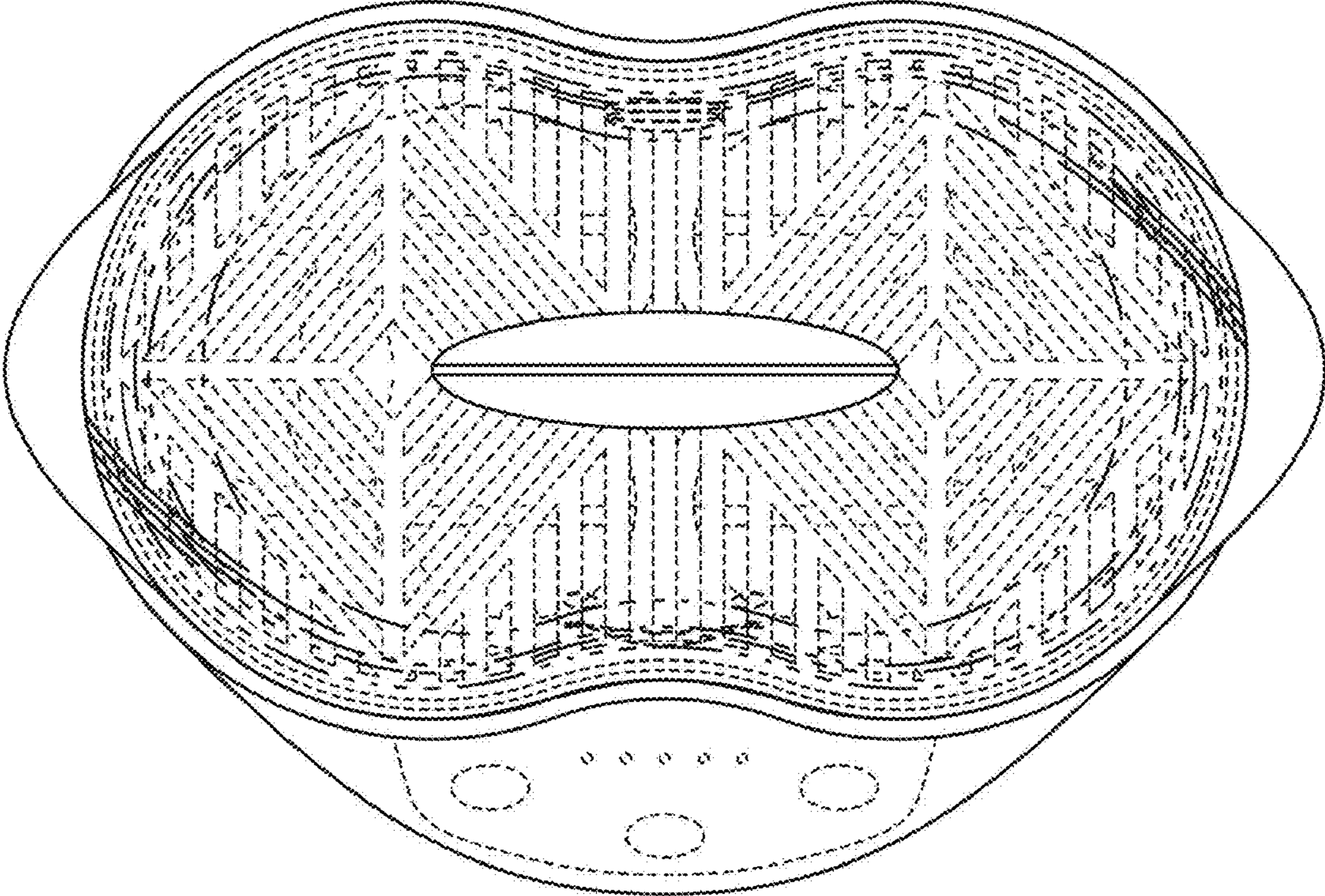


Fig. 4

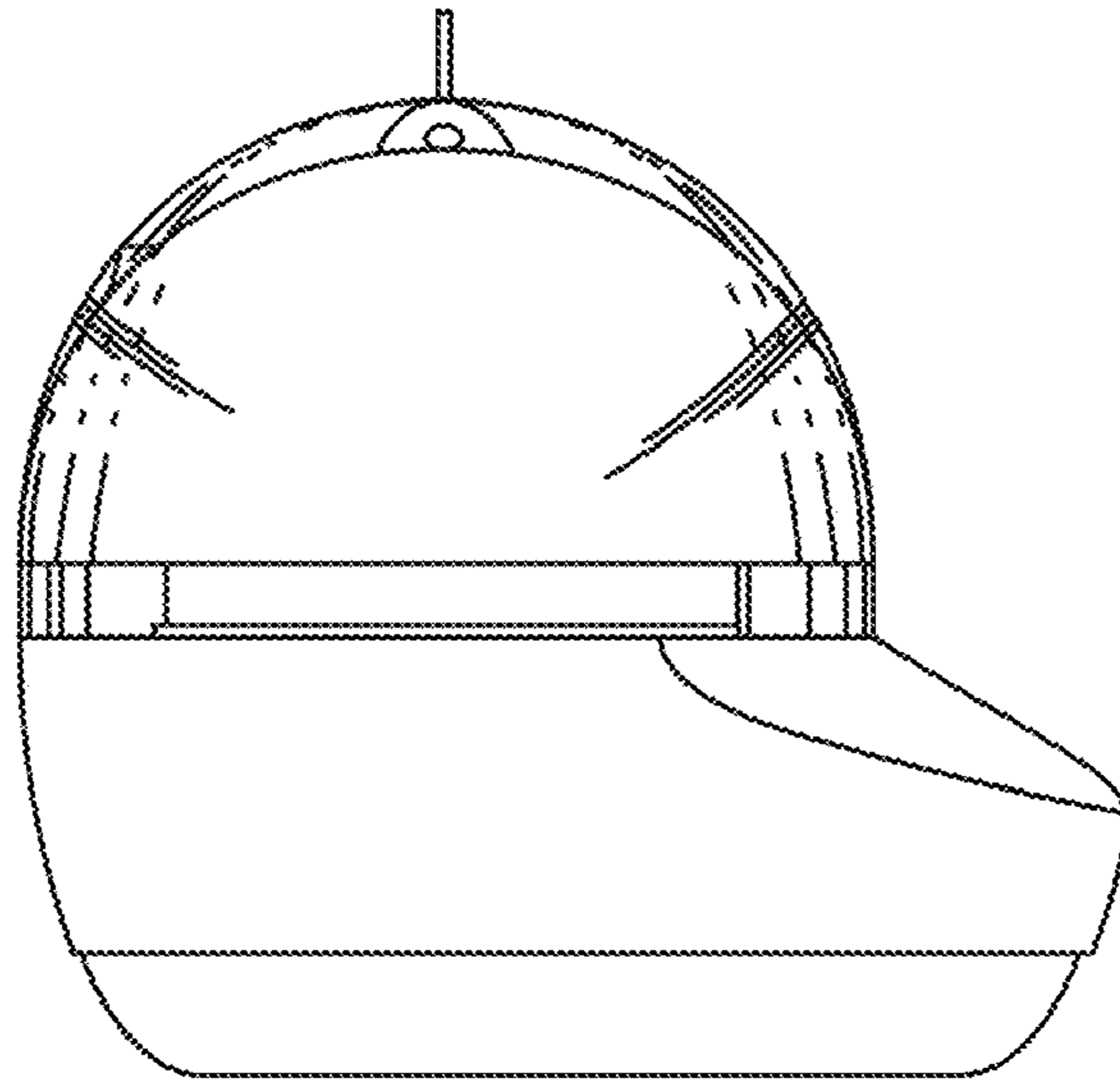


Fig. 5

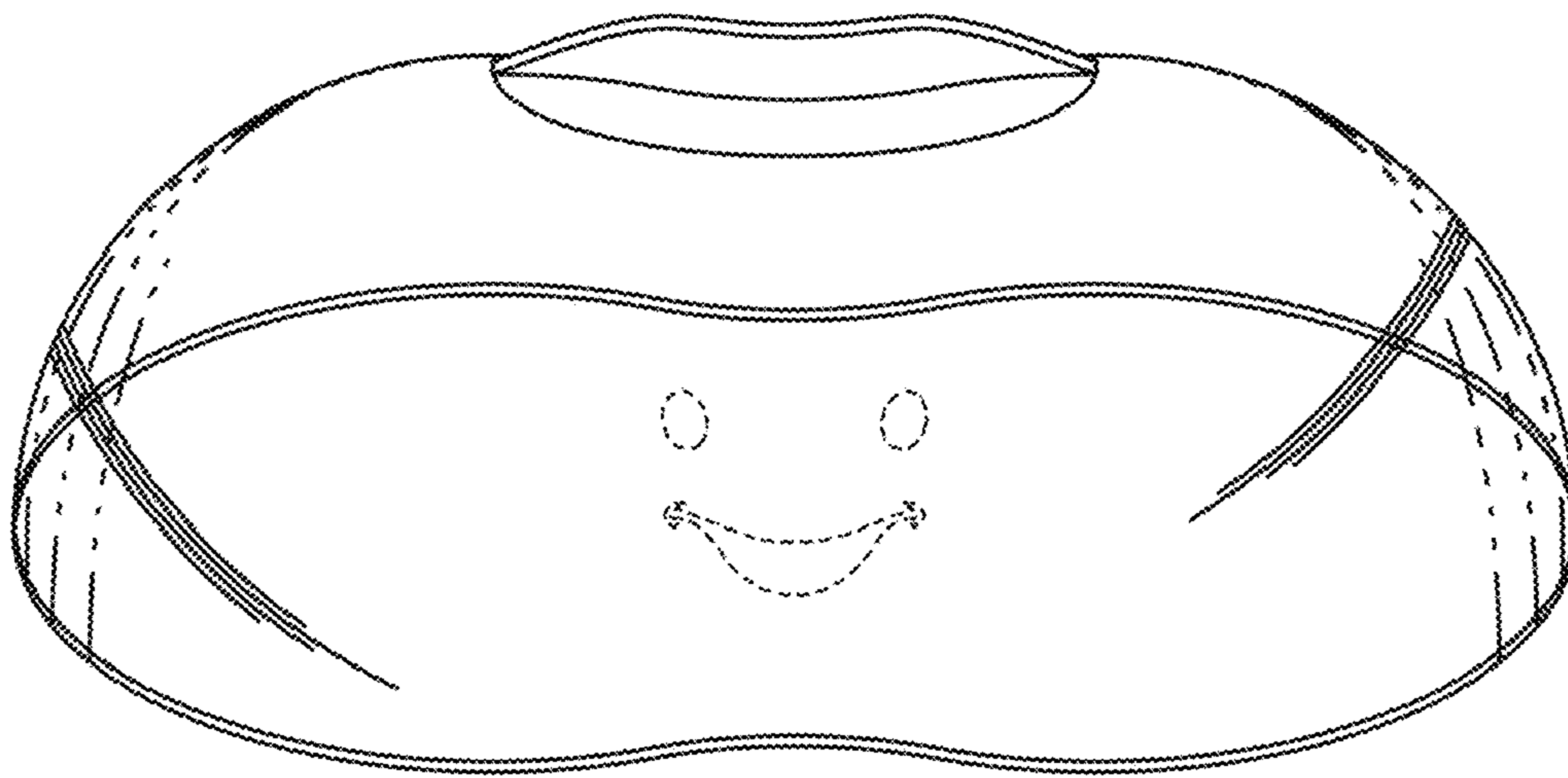


Fig. 6

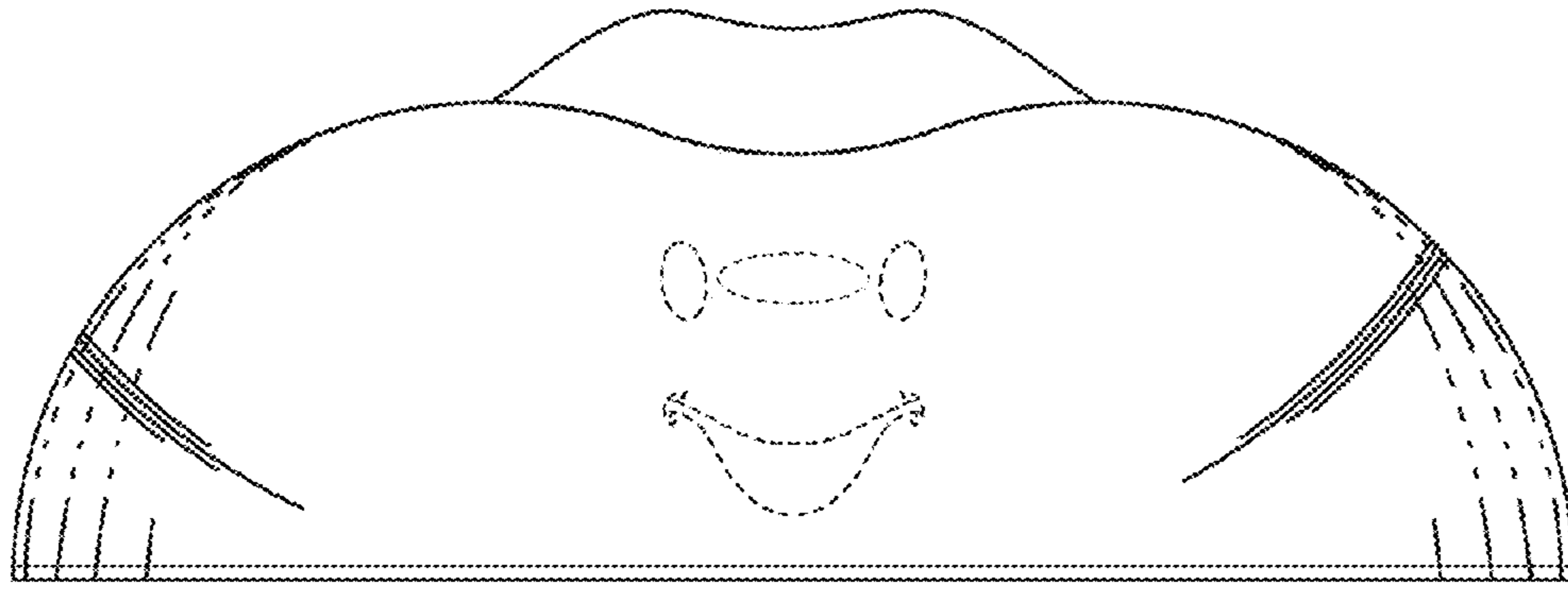


Fig. 7

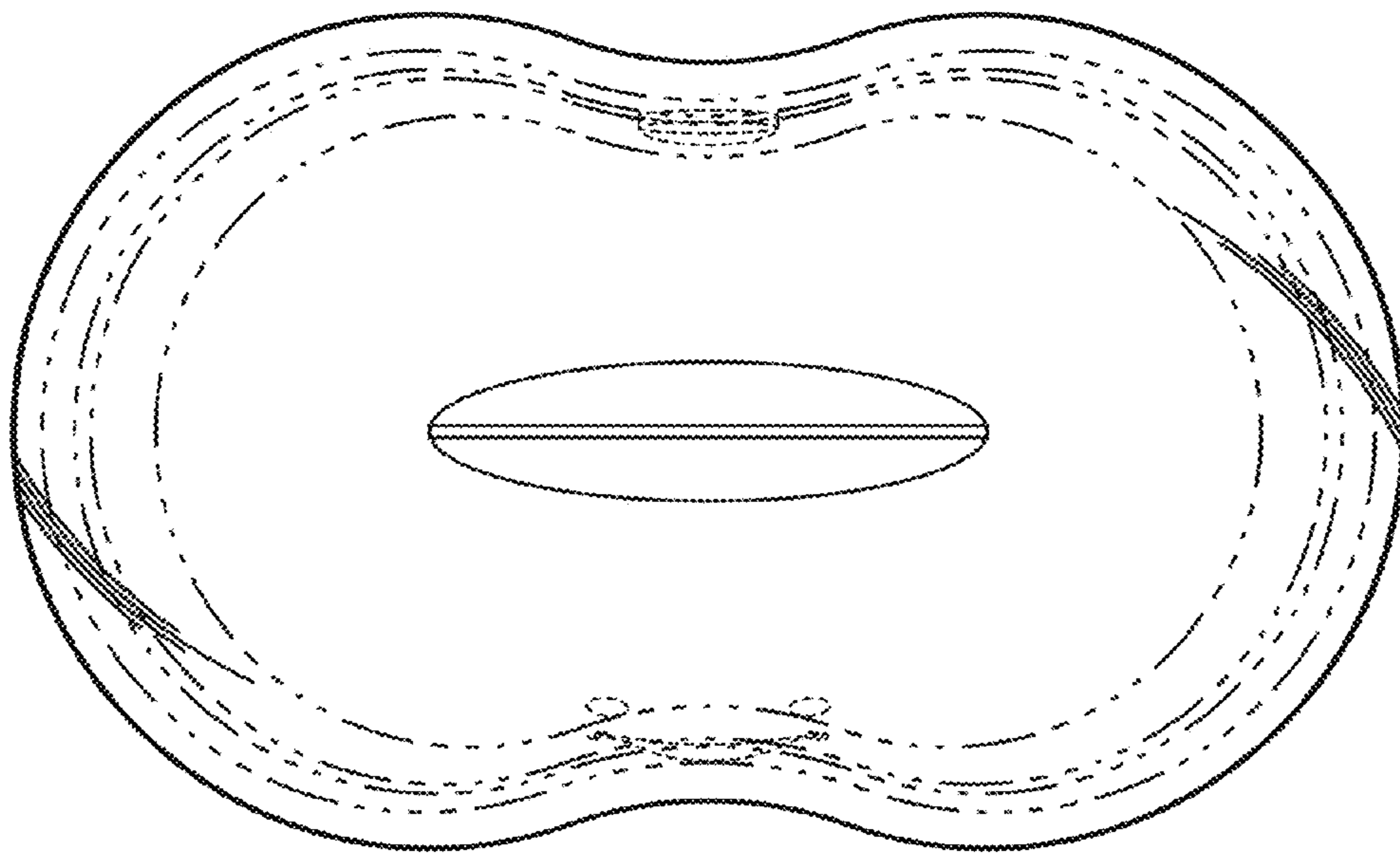


Fig. 8

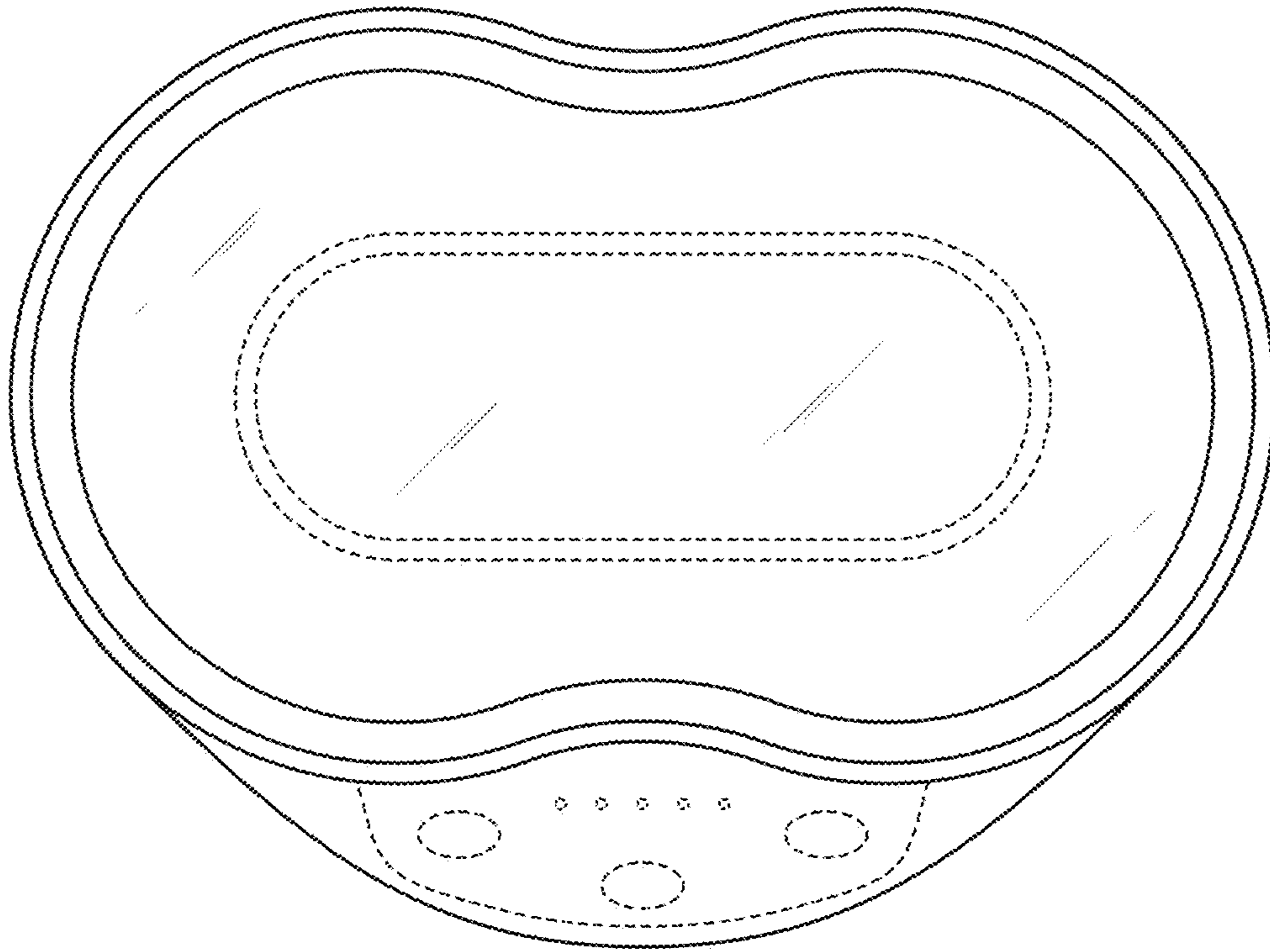


Fig. 9

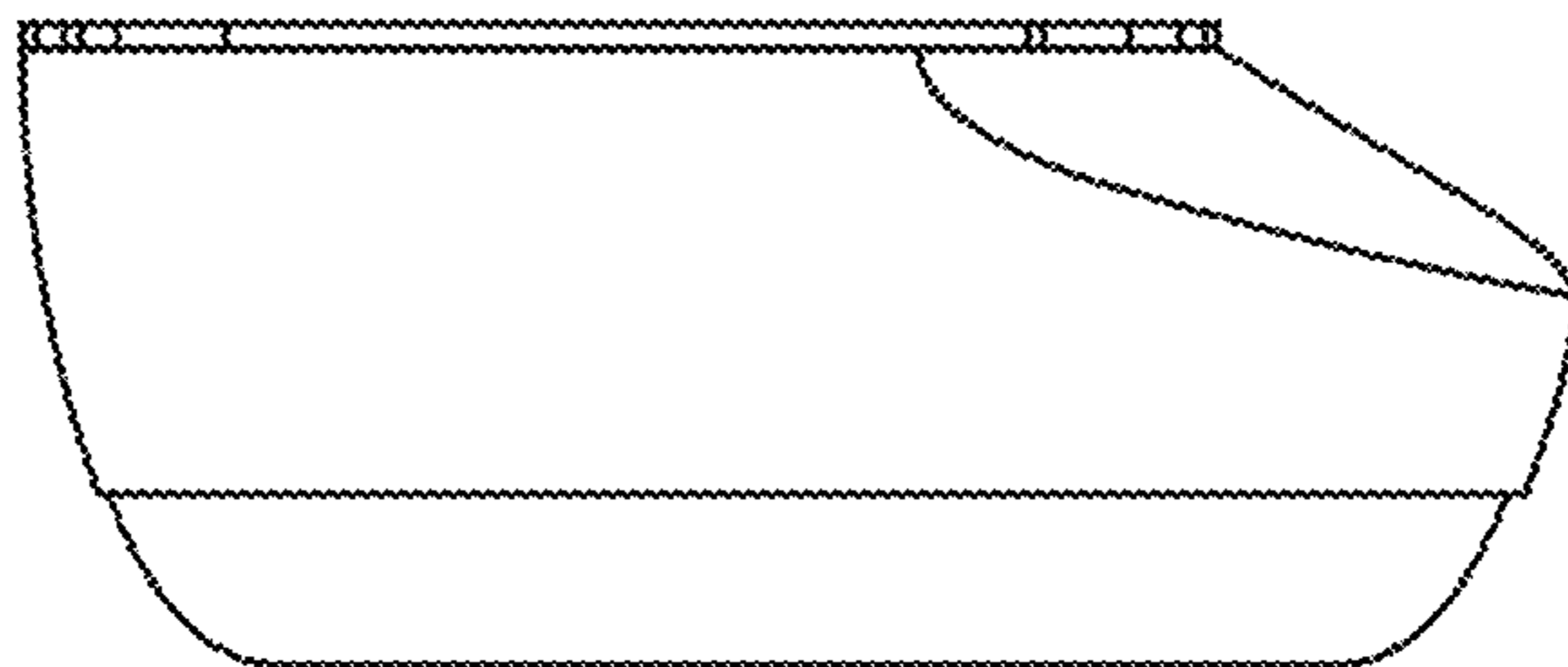


Fig. 10