



US00D668097S

(12) **United States Design Patent**
Simms, II

(10) **Patent No.:** **US D668,097 S**

(45) **Date of Patent:** **** Oct. 2, 2012**

(54) **SUPPORT STRUCTURE FOR A COOKING GRILL**

D538,104 S * 3/2007 Nipke D7/402
D614,435 S * 4/2010 Lin D7/334
D623,003 S * 9/2010 Chung D7/334

(76) Inventor: **John Lee Simms, II**, Atlanta, GA (US)

OTHER PUBLICATIONS

(**) Term: **14 Years**

“Composite Shelves & Nest for Medium Big Green Egg”, retrieved from Internet on Mar. 29, 2012, Retrieved from Internet: http://www.ebay.com/itm/Composite-Shelves-Nest-Medium-Big-Green-Egg-/160774370186?pt=LH_DefaultDomain_0&hash=item256ee6338a.*

(21) Appl. No.: **29/392,029**

“Big Green Egg now on stage”, Retrieved from Internet on Mar. 29, 2012, retrieved from Internet: <http://burntofferingbbq.com/2009/06/30/big-green-egg-now-on-stage/>.*

(22) Filed: **May 16, 2011**

(51) **LOC (9) Cl.** **15-05**

(52) **U.S. Cl.** **D7/334**

(58) **Field of Classification Search** D7/332,
D7/334–337, 402–407, 409; 126/40, 50,
126/332, 39 M, 214 R, 307 R, 334, 25 R,
126/25 A, 25 AA, 29–30, 9 R, 38, 37 R, 41 R,
126/276, 268; 99/481–482; D6/511; 219/461.1;
312/100, 236

* cited by examiner

See application file for complete search history.

Primary Examiner — Ruth McInroy

(74) *Attorney, Agent, or Firm* — Banner & Witcoff, Ltd.

(56) **References Cited**

CLAIM

(57) I claim the ornamental design for a support structure for a cooking grill, as shown and described.

U.S. PATENT DOCUMENTS

DESCRIPTION

5,572,983	A	*	11/1996	Schlosser et al.	126/25 R
5,906,193	A	*	5/1999	Leach et al.	126/25 R
D435,387	S	*	12/2000	Pai	D7/334
D456,671	S	*	5/2002	Pai	D7/403
D460,657	S	*	7/2002	Bossler	D7/334
D471,056	S	*	3/2003	Pai	D7/334
D485,116	S	*	1/2004	Kwok	D7/334
6,684,876	B2	*	2/2004	Bossler	126/25 R
D508,365	S	*	8/2005	Nipke et al.	D7/334
D512,263	S	*	12/2005	Chung	D7/334
D516,366	S	*	3/2006	Nipke et al.	D7/334
D528,847	S	*	9/2006	Chung	D7/334

FIG. 1 is a depiction of a perspective view of the support structure for a cooking grill.

FIG. 2 is a depiction of a top view thereof.

FIG. 3 is a depiction of a front view thereof.

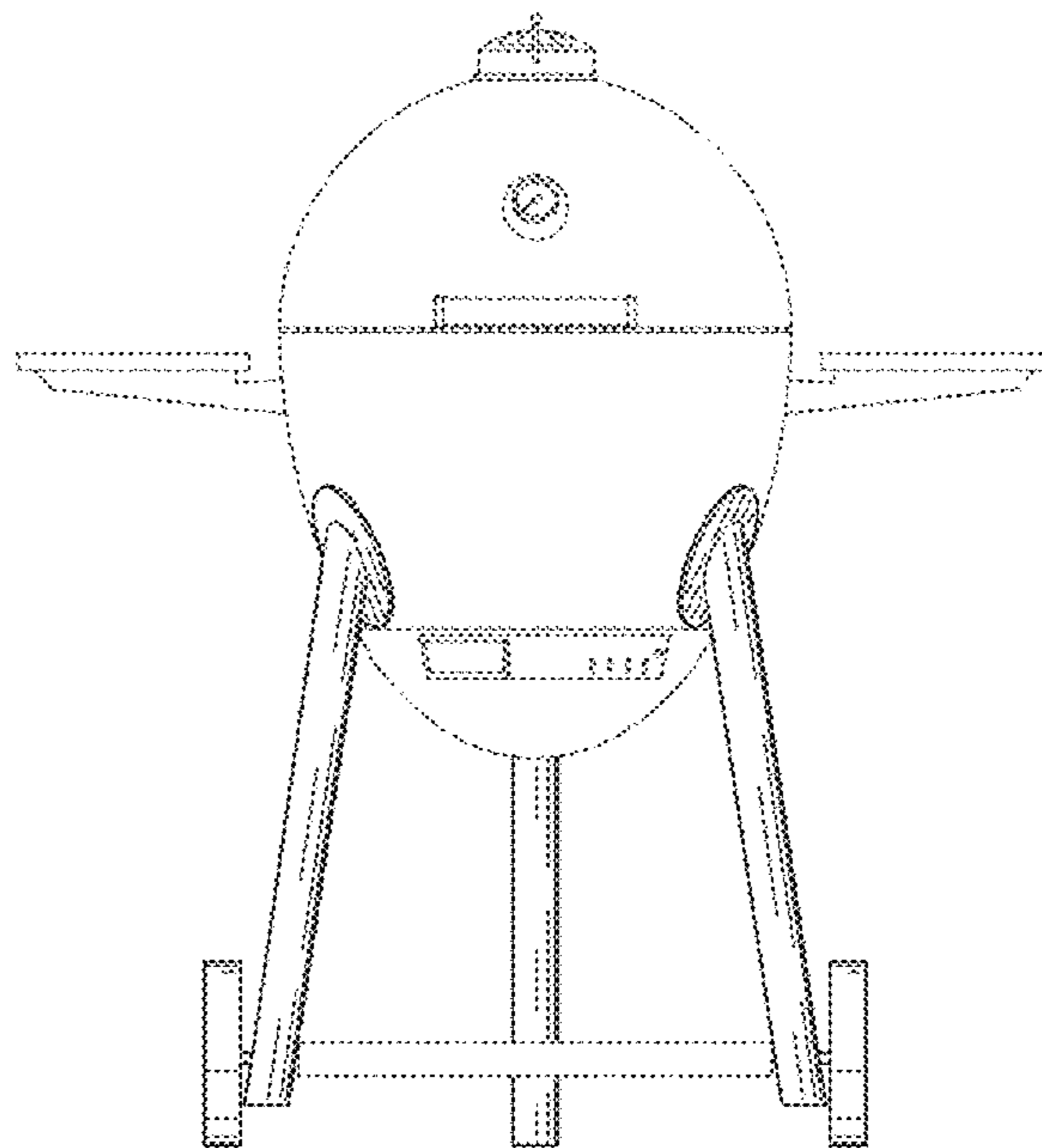
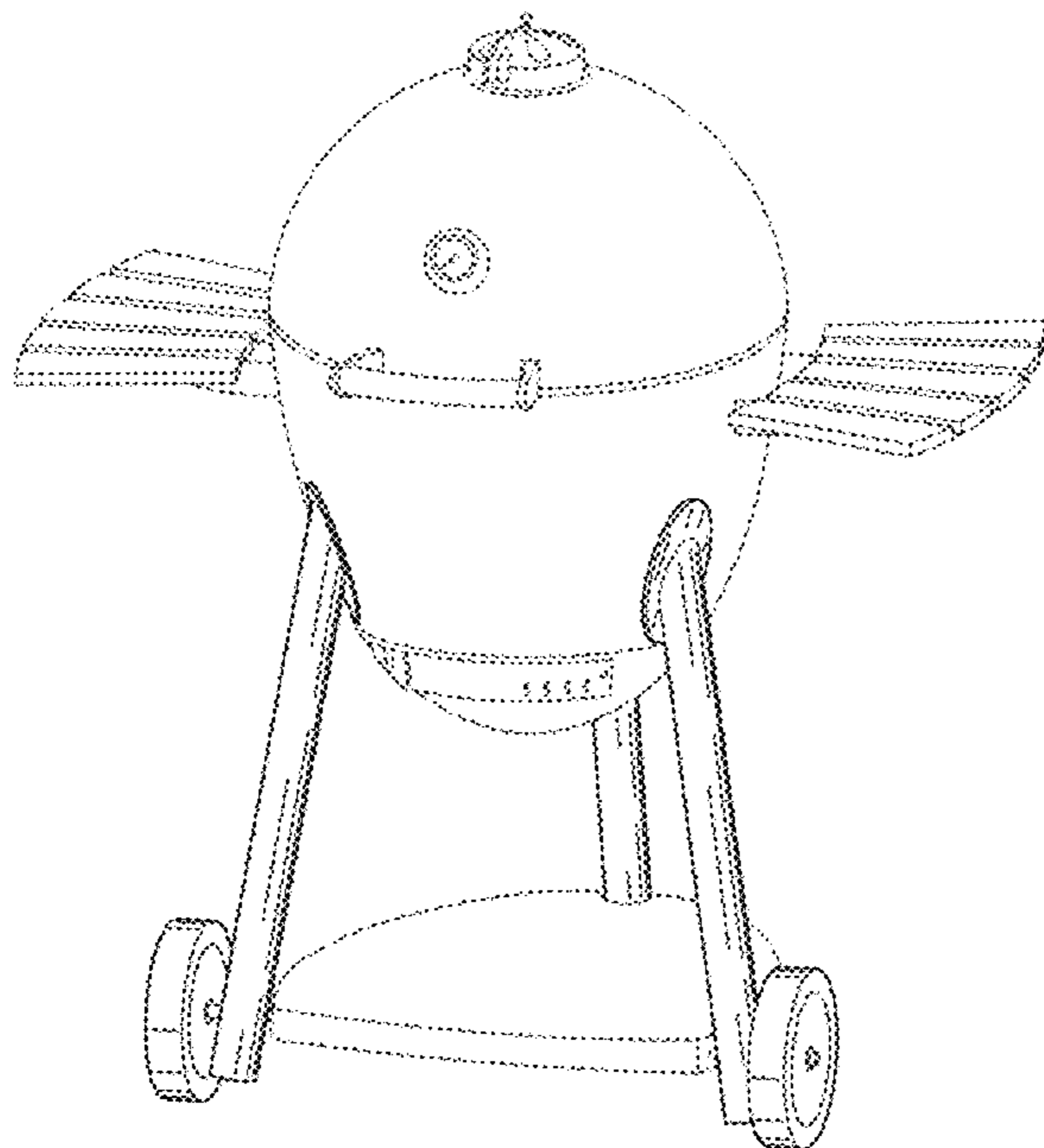
FIG. 4 is a depiction of a back view thereof.

FIG. 5 is a depiction of a side view thereof; and,

FIG. 6 is a depiction of a bottom view thereof.

The details shown in broken lines form no part of the claimed design.

1 Claim, 6 Drawing Sheets



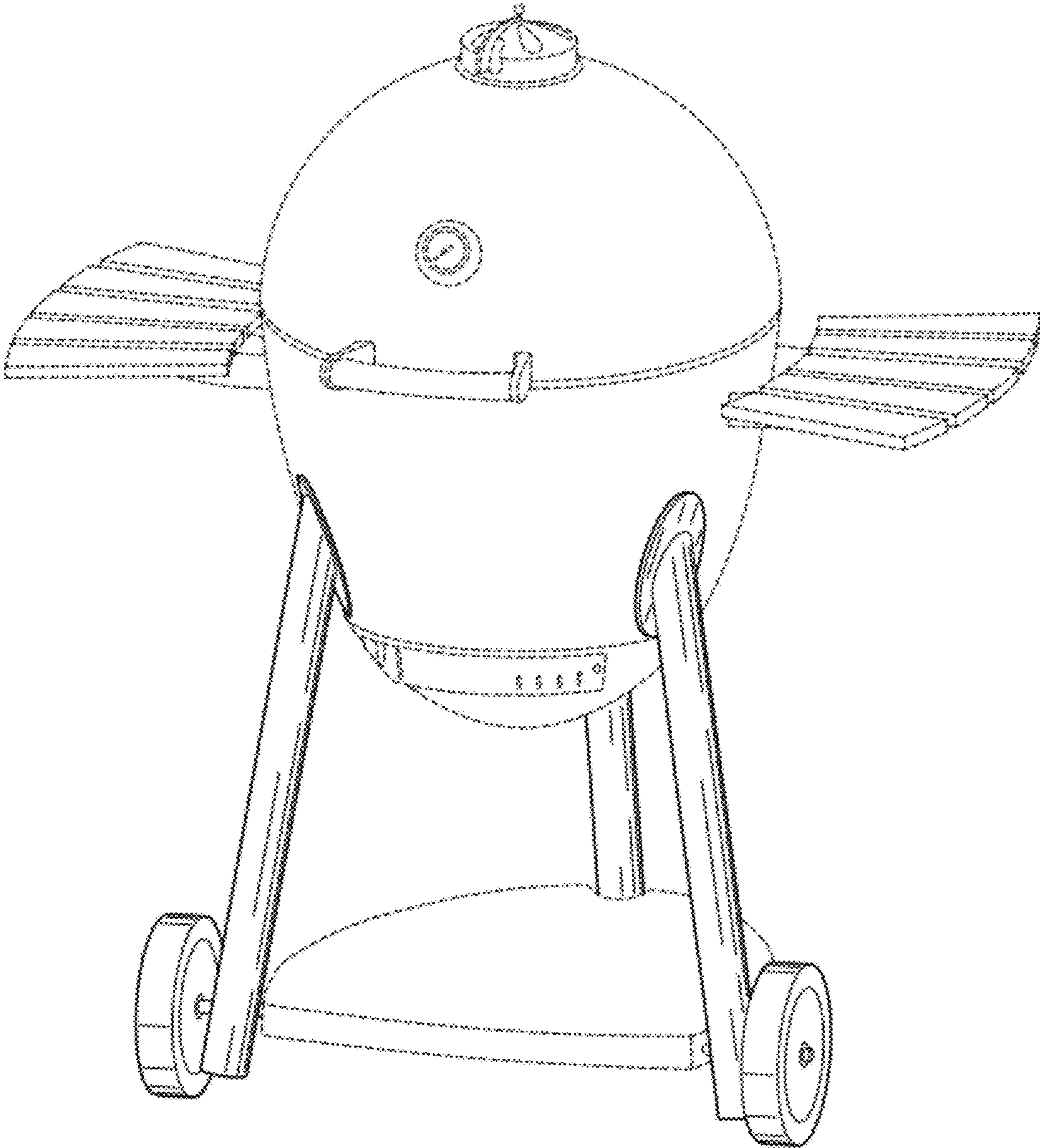


FIG.1

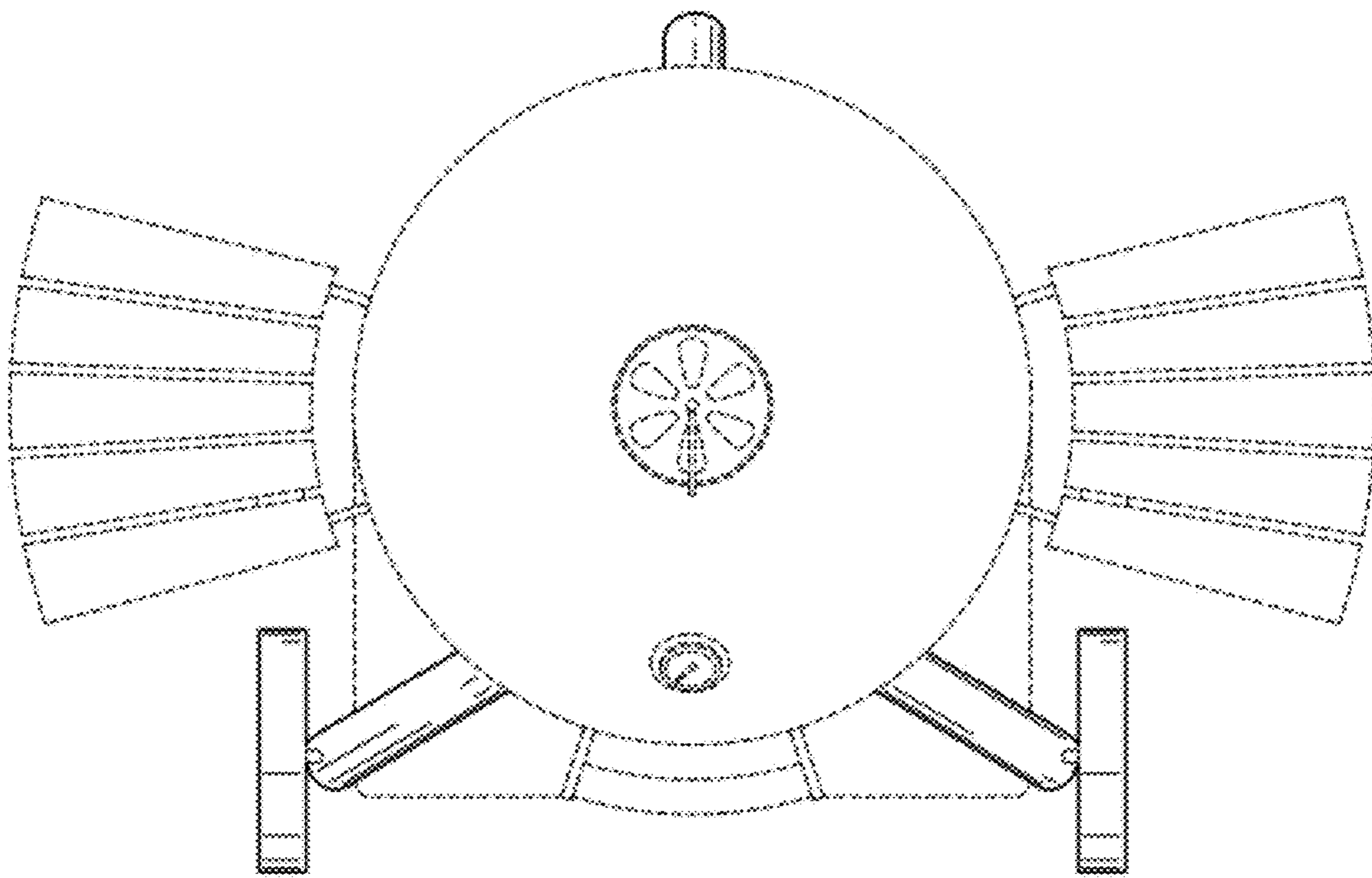


FIG. 2

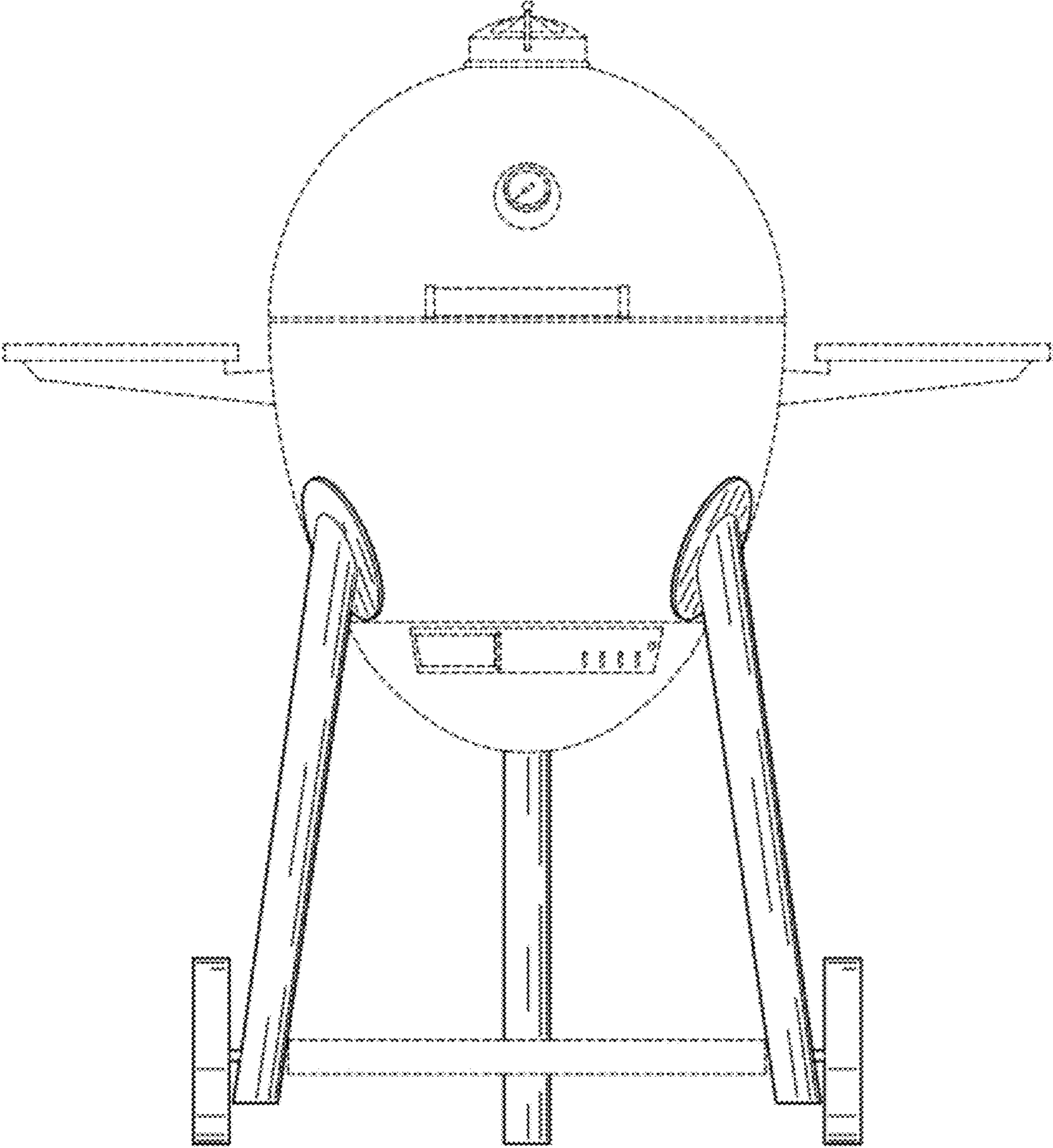


FIG. 3

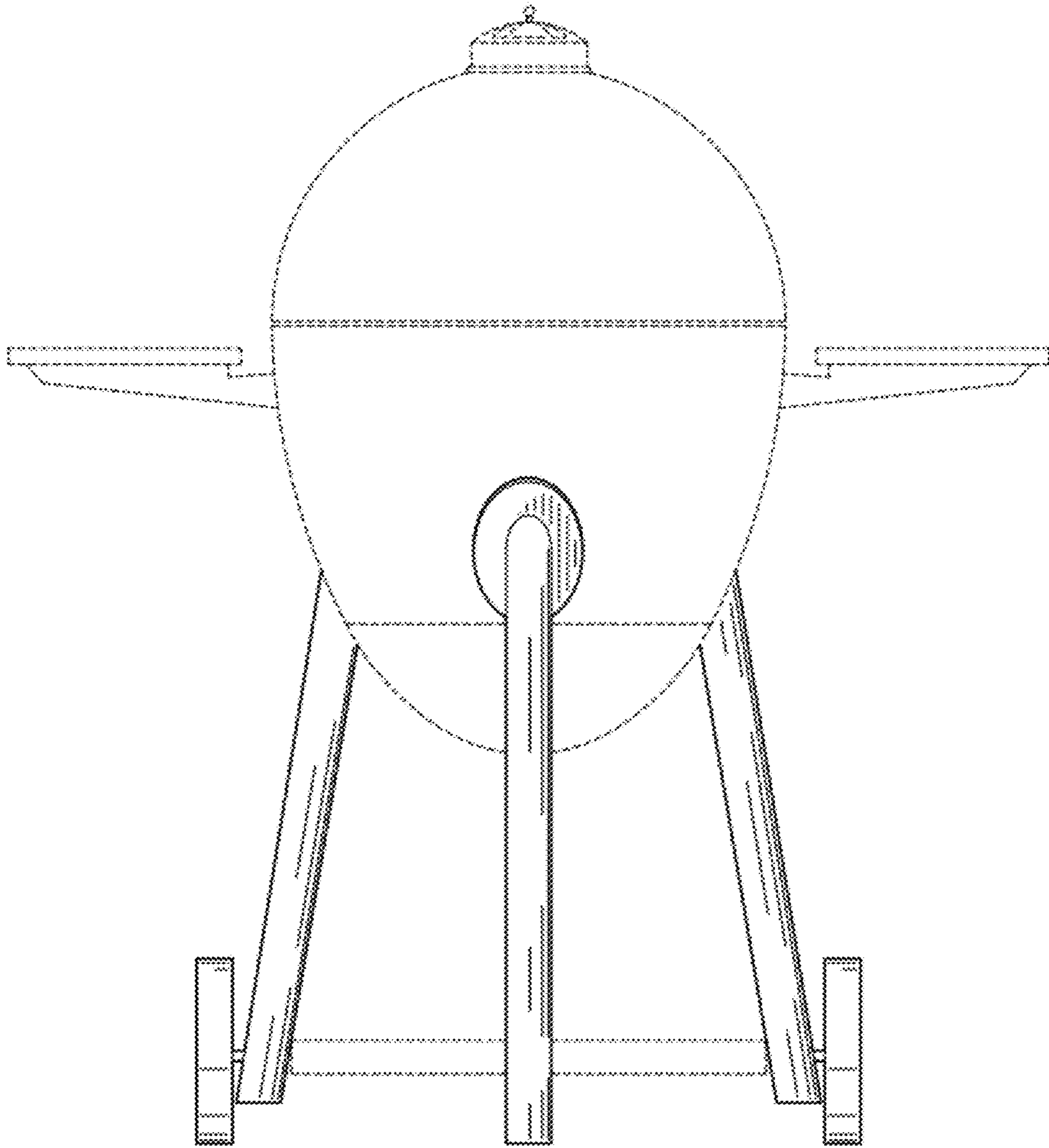


FIG. 4

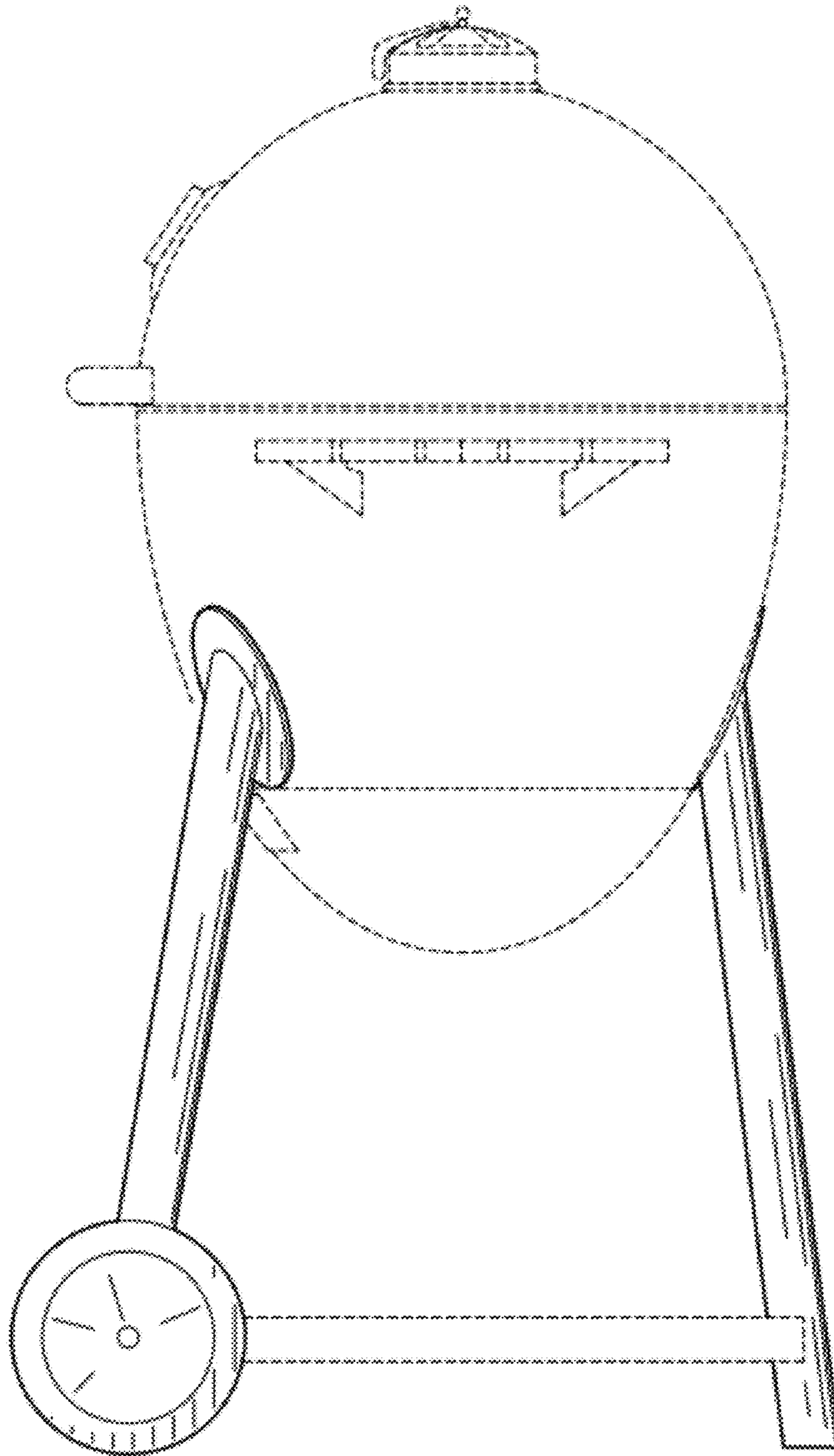


FIG. 5

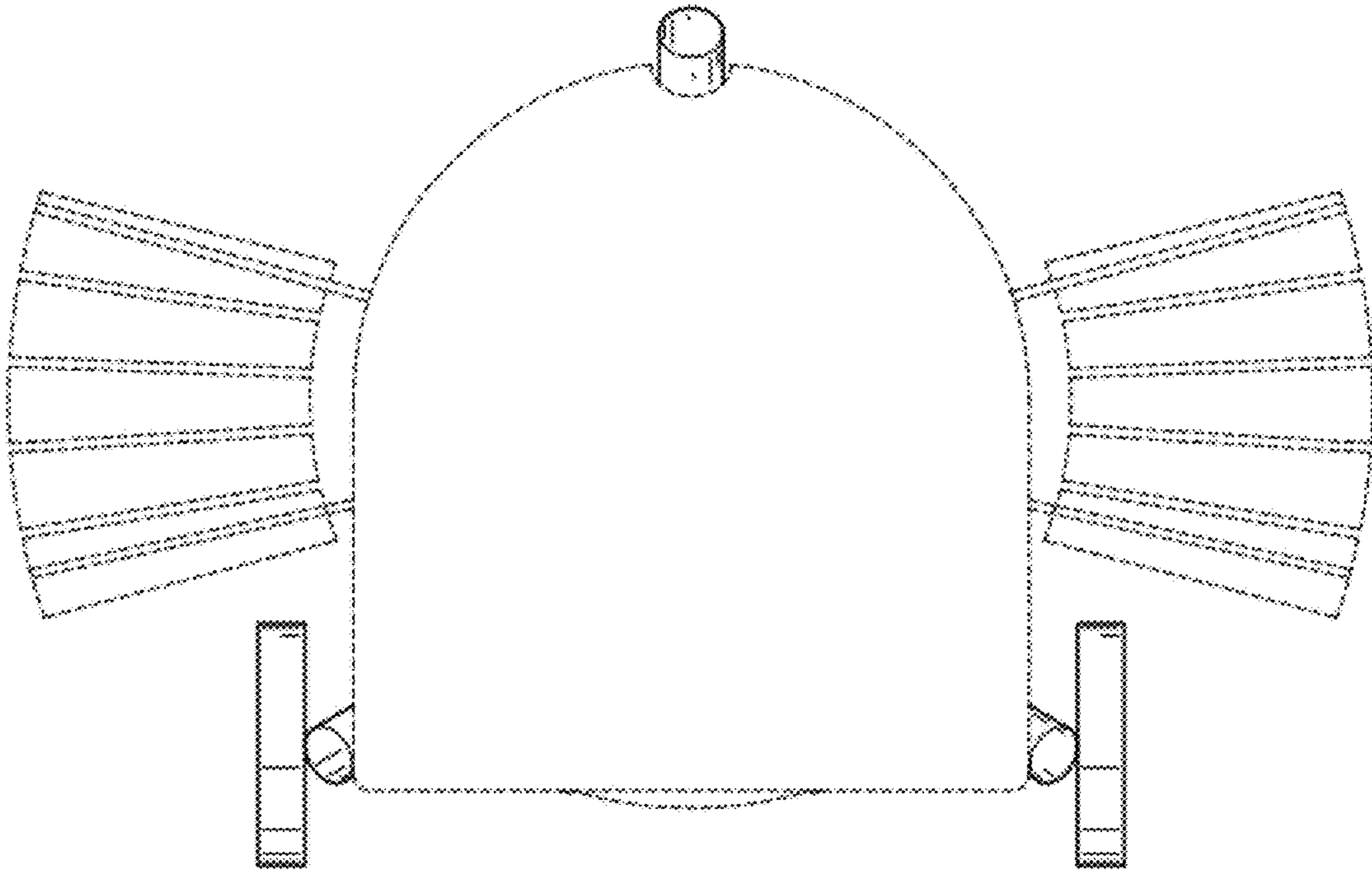


FIG.6