



US00D668096S

(12) **United States Design Patent**
Simms, II

(10) **Patent No.:** **US D668,096 S**

(45) **Date of Patent:** **** Oct. 2, 2012**

(54) **FOOD COOKER**

(76) Inventor: **John Lee Simms, II**, Atlanta, GA (US)

(**) Term: **14 Years**

(21) Appl. No.: **29/392,026**

(22) Filed: **May 16, 2011**

(51) **LOC (9) Cl.** **07-02**

(52) **U.S. Cl.** **D7/334**

(58) **Field of Classification Search** D7/332,
D7/334-337, 402-407, 409; 126/40, 50,
126/332, 39 M, 214 R, 307 R, 334, 25 R,
126/25 A, 25 AA, 29-30, 9 R, 38, 37 R, 41 R,
126/276, 268; 99/481-482; D6/511; 219/461.1;
312/100, 236

See application file for complete search history.

(56) **References Cited**

U.S. PATENT DOCUMENTS

D201,416	S	*	6/1965	Sazegar	D7/337
D201,937	S	*	8/1965	Johnson	D7/337
3,276,440	A	*	10/1966	Sazegar	126/25 A
4,467,709	A	*	8/1984	Anstedt	99/482
D420,243	S	*	2/2000	Samaras	D7/332
D463,196	S	*	9/2002	Hsu	D7/332
D510,838	S	*	10/2005	Nipke et al.	D7/402
D583,185	S	*	12/2008	Rutter et al.	D7/334
D592,442	S	*	5/2009	Rutter et al.	D7/334
D618,486	S	*	6/2010	Bruno et al.	D7/334
D642,416	S	*	8/2011	Scott et al.	D7/332

OTHER PUBLICATIONS

“Composite Shelves & Nest for Medium Big Green Egg”, retrieved from Internet on Mar. 29, 2012, Retrieved from Internet: http://www.ebay.com/itm/Composite-Shelves-Nest-Medium-Big-Green-Egg/160774370186?pt=LH_DefaultDomain_0&hash=item256ee6338a.*

“Big Green Egg now on stage”, Retrieved from Internet on Mar. 29, 2012, Retrieved from Internet: <http://burntofferingbbq.com/2009/06/30big-green-egg-now-on-stage/>.*

* cited by examiner

Primary Examiner — Ruth McInroy

(74) *Attorney, Agent, or Firm* — Banner & Witcoff, Ltd.

(57) **CLAIM**

The ornamental design for a food cooker, as shown and described.

DESCRIPTION

FIG. 1 is a perspective view of a food cooker showing my new design;

FIG. 2 is a top plan view thereof;

FIG. 3 is a front view thereof;

FIG. 4 is a rear view thereof;

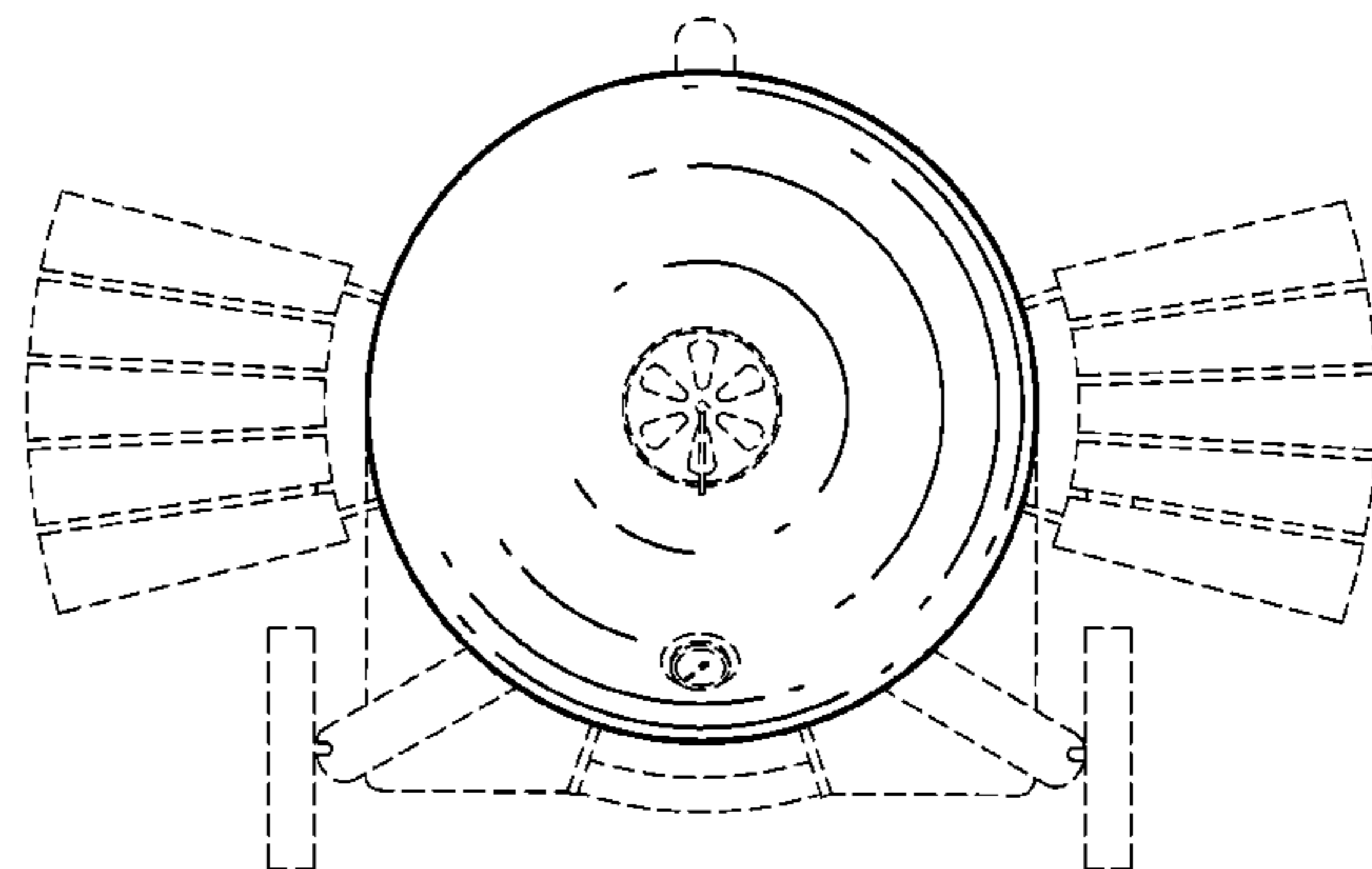
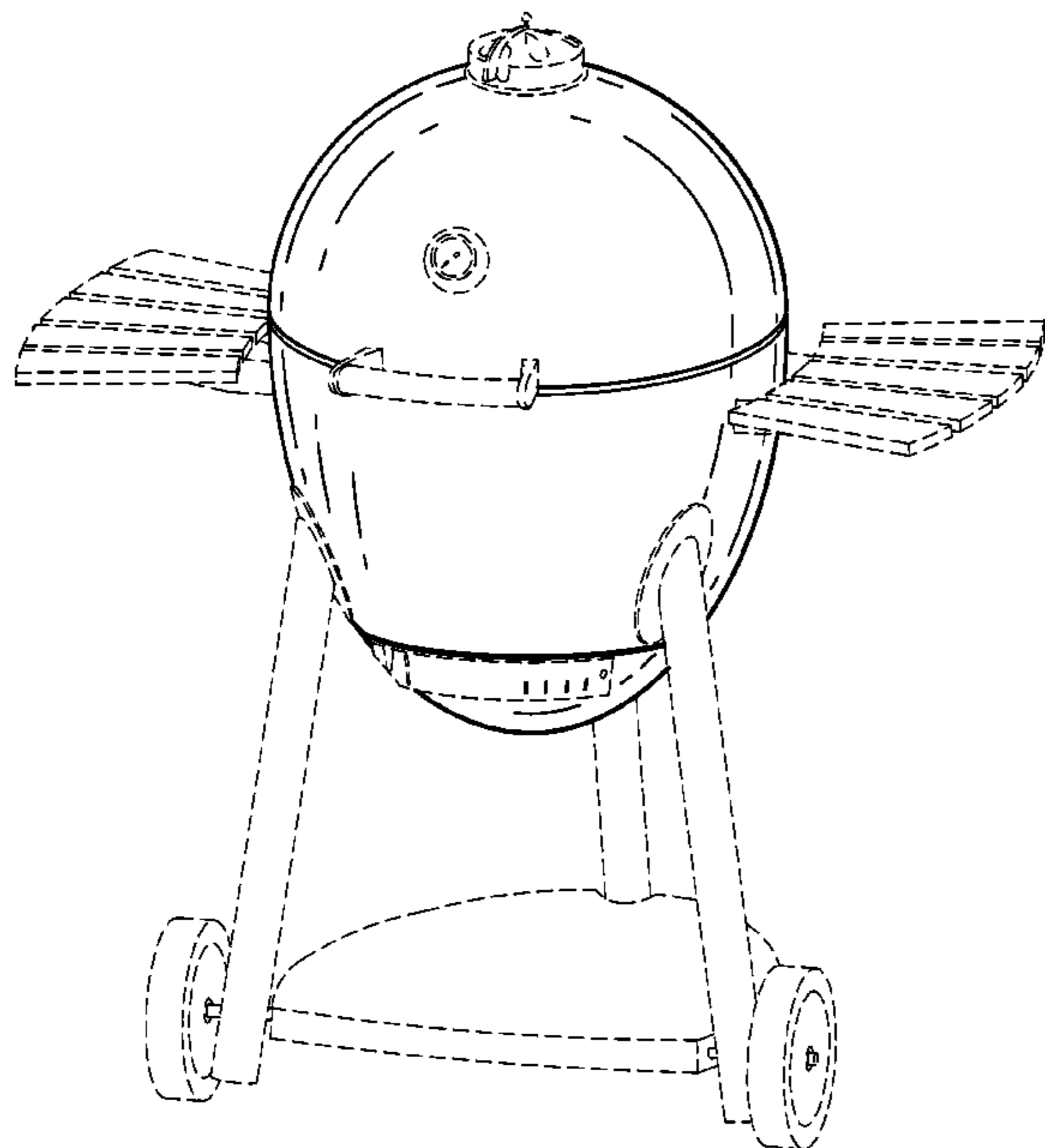
FIG. 5 is a side view thereof;

FIG. 6 is a bottom plan view thereof; and,

FIG. 7 is an exploded view thereof, showing the bottom portion detached.

The details shown in broken lines form no part of the claimed design.

1 Claim, 7 Drawing Sheets



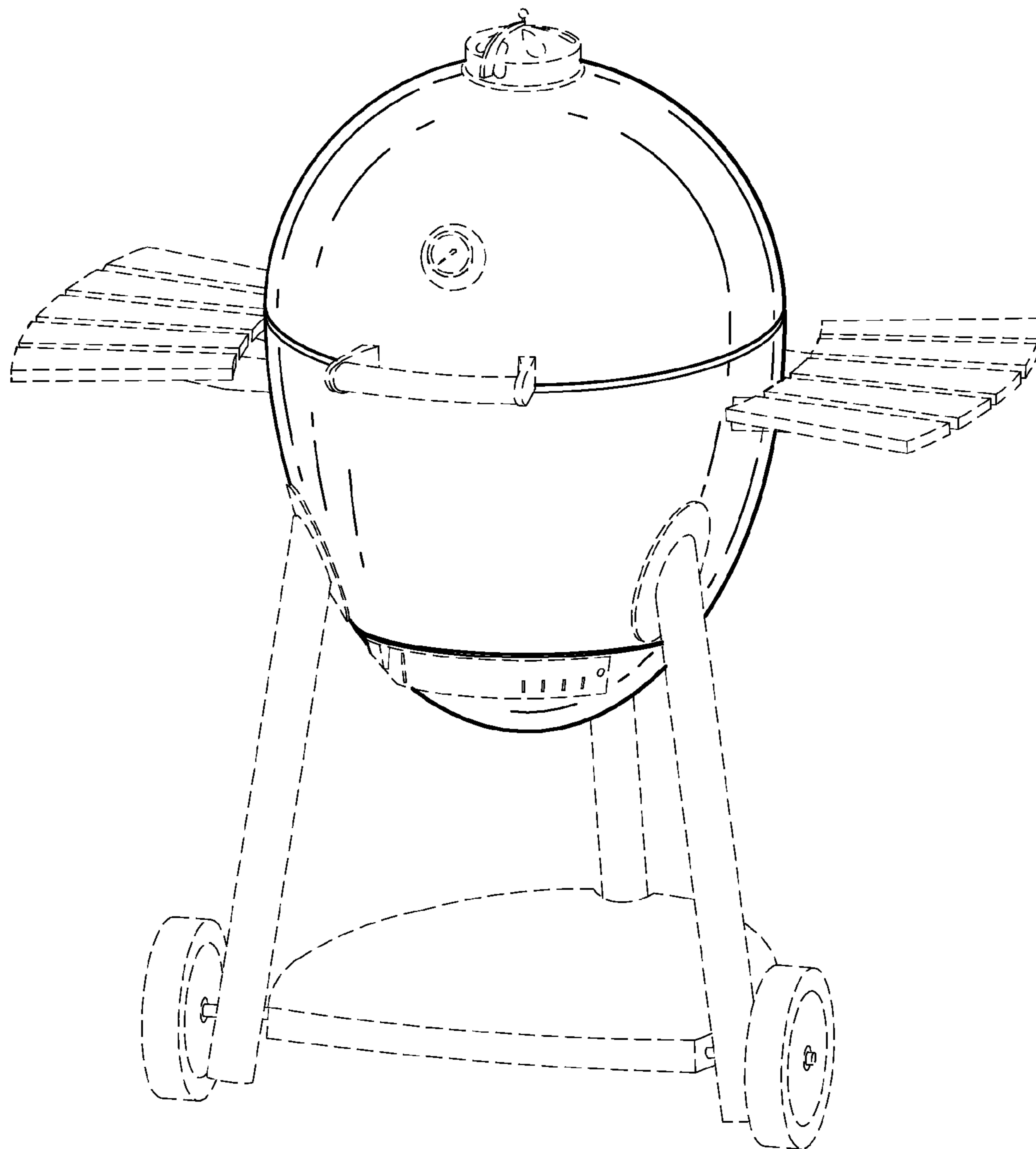


FIG. 1

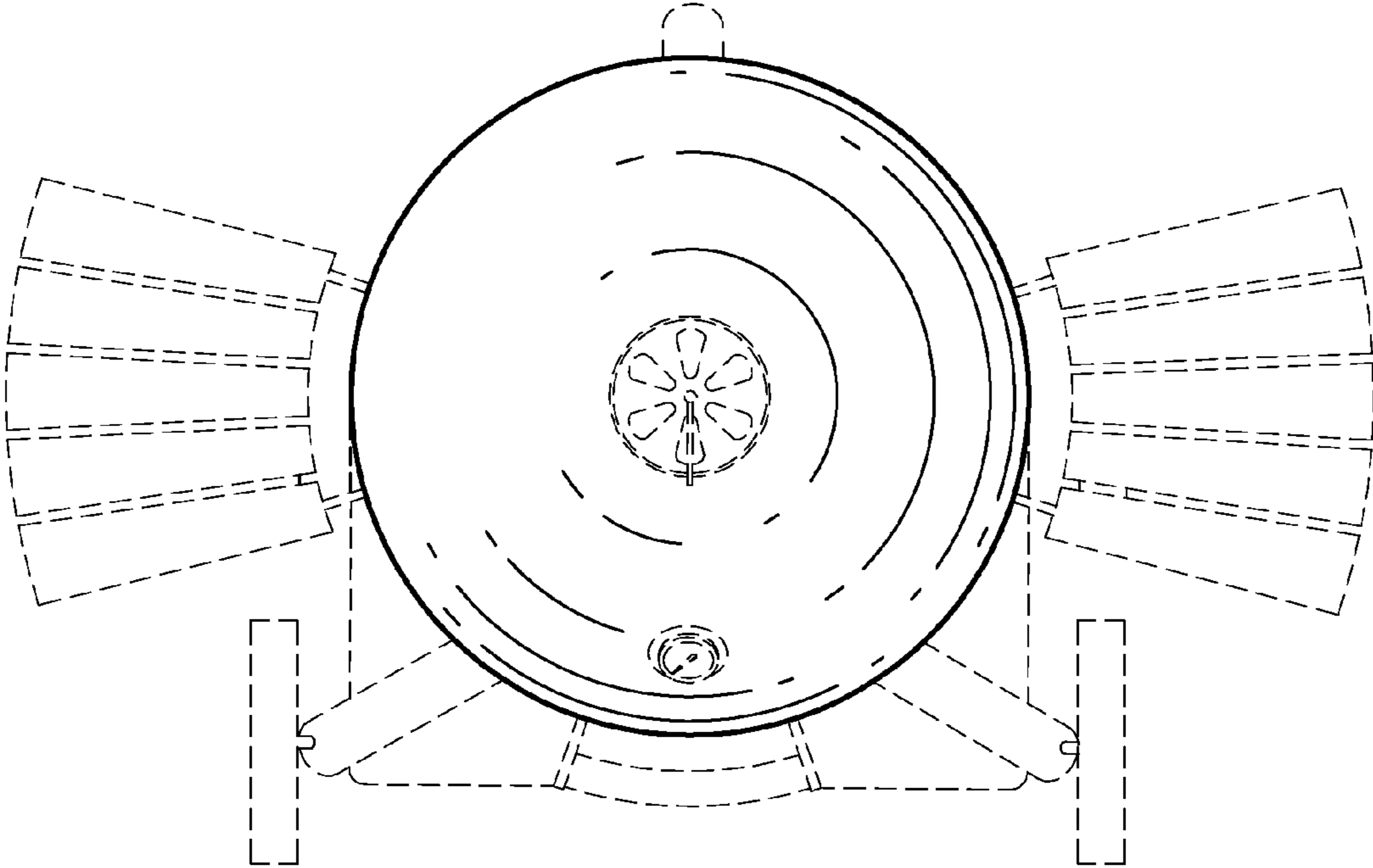


FIG. 2

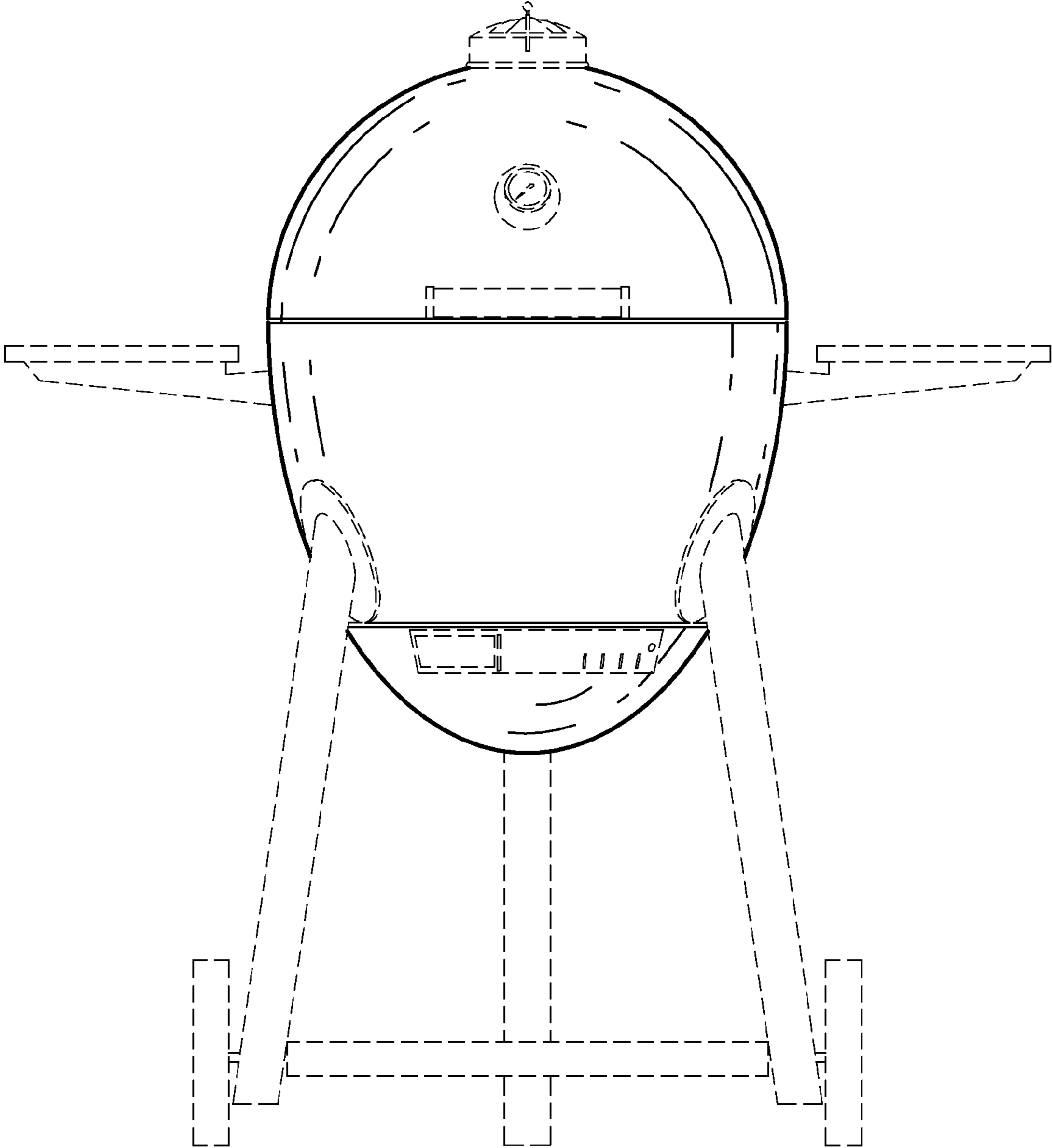


FIG. 3

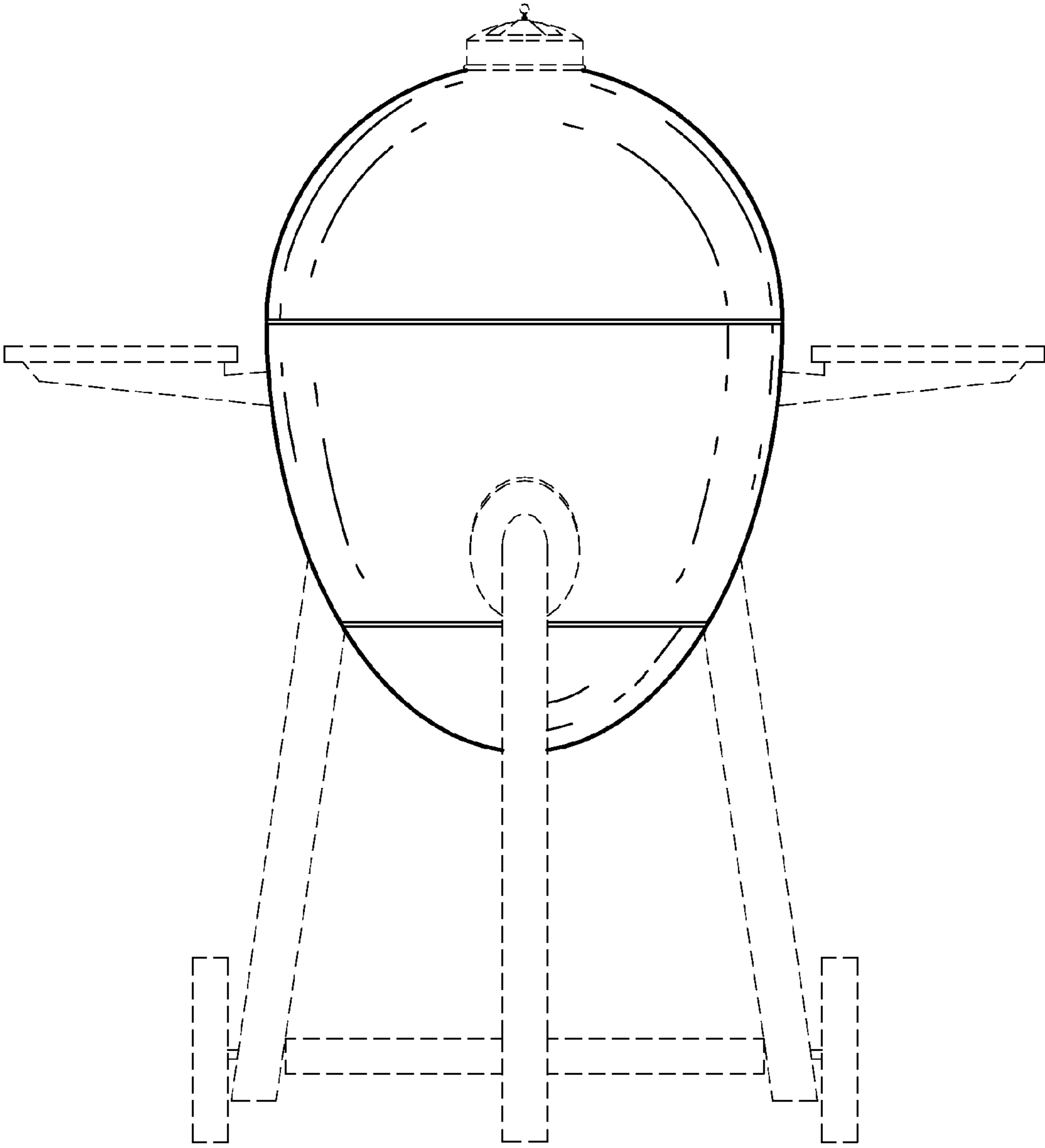


FIG. 4

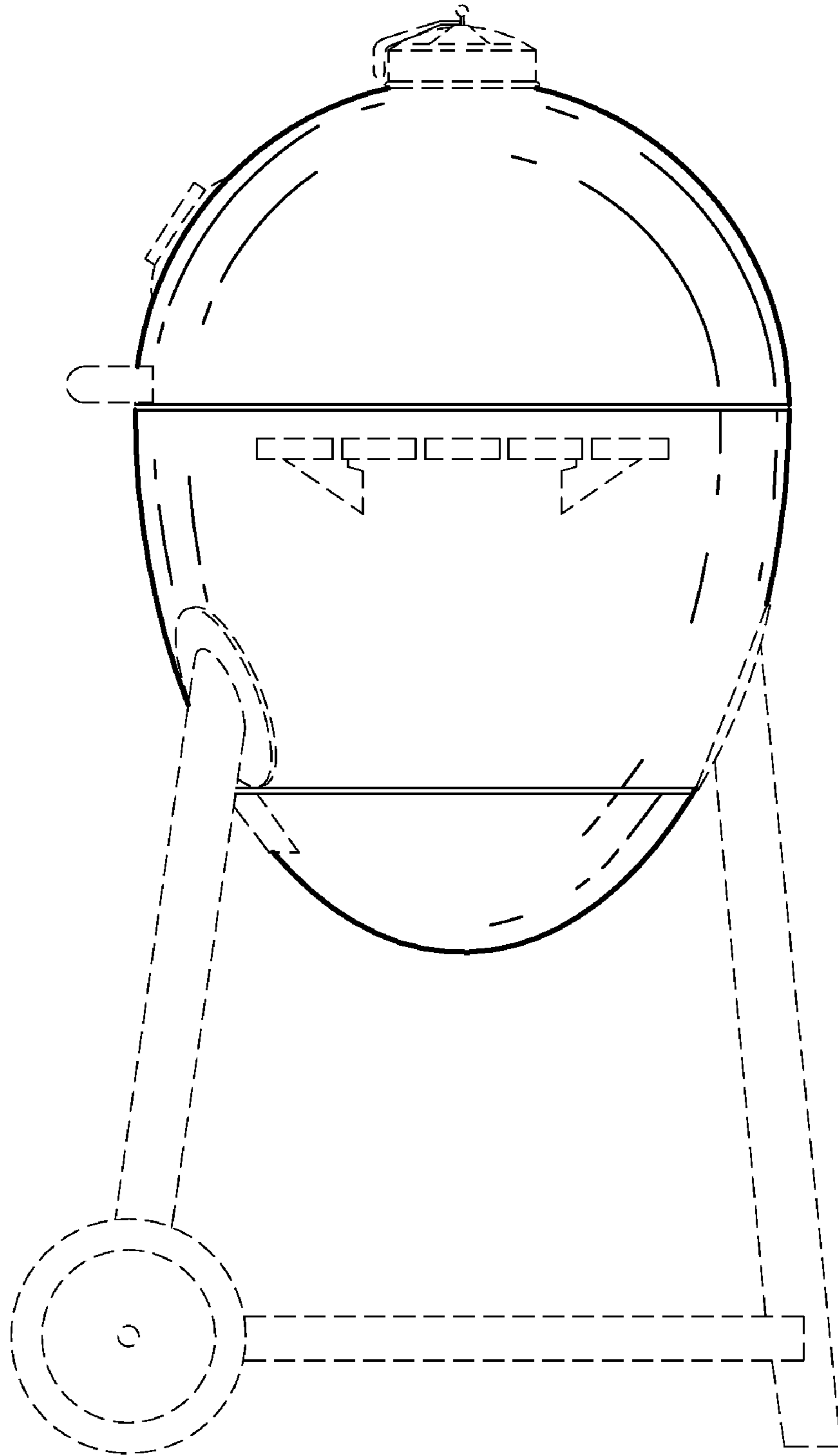


FIG. 5

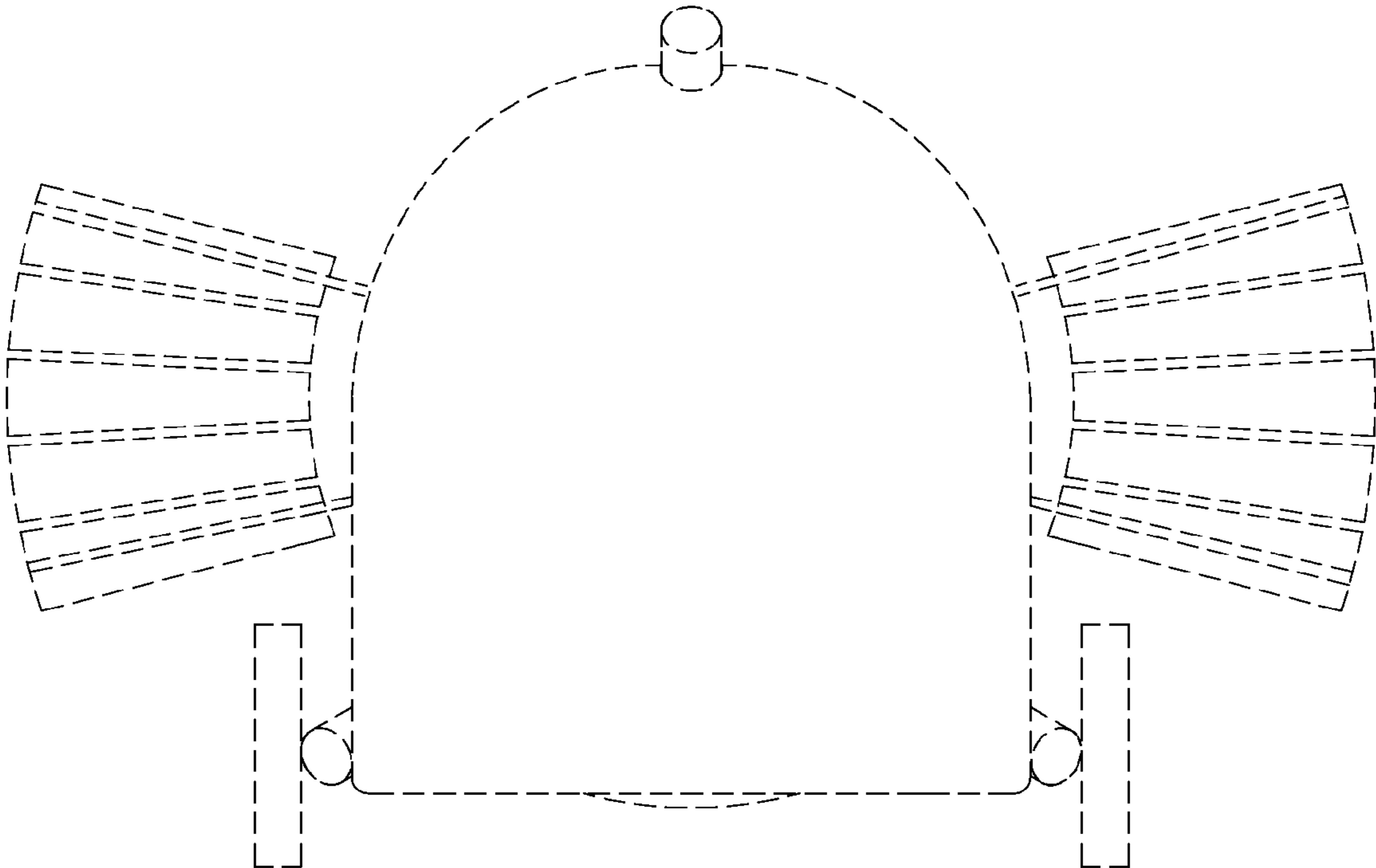


FIG. 6

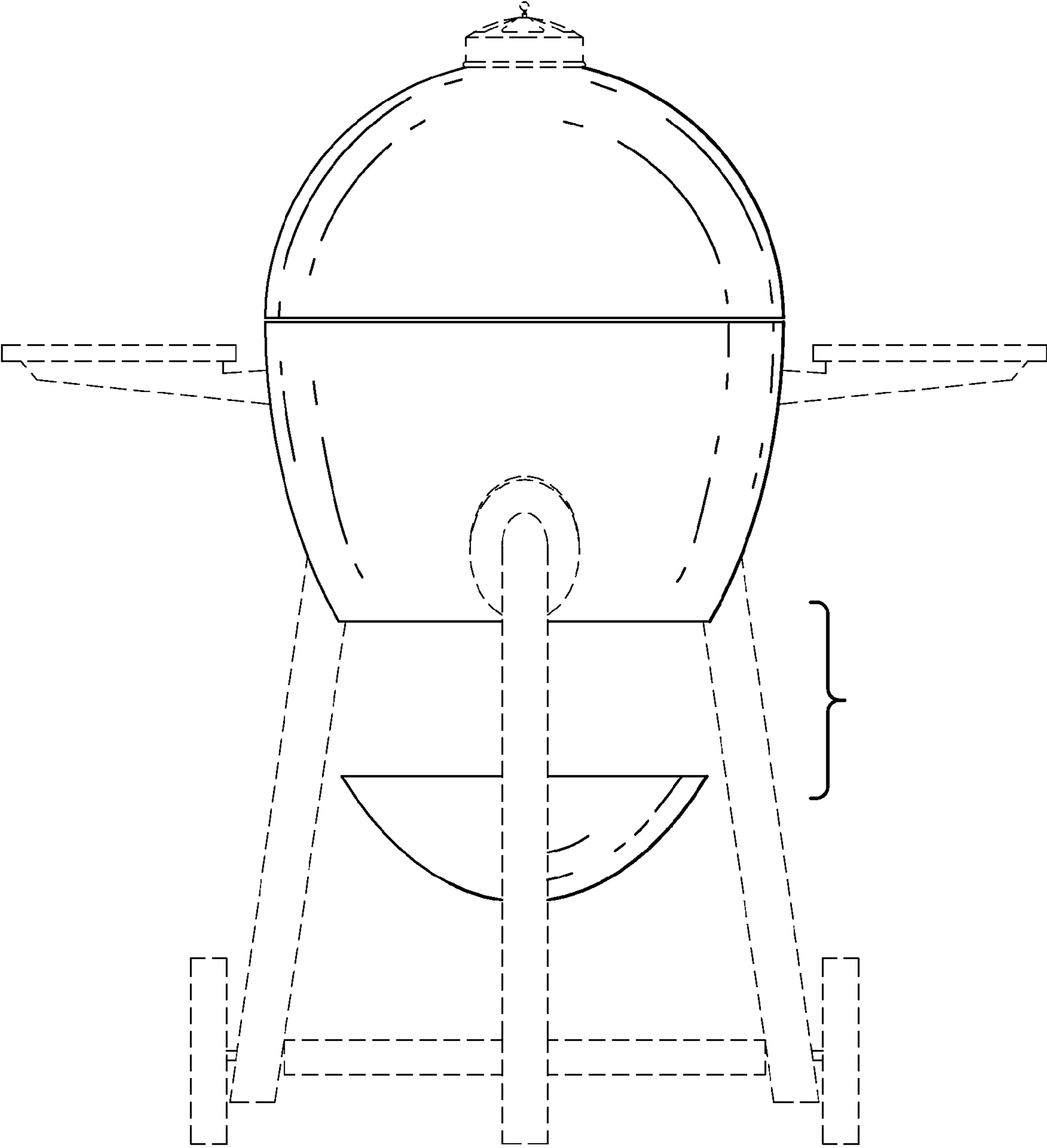


FIG. 7