



US00D668095S

(12) **United States Design Patent**
Green et al.

(10) **Patent No.:** **US D668,095 S**

(45) **Date of Patent:** **** Oct. 2, 2012**

(54) **CARAFE**

(75) Inventors: **Daniel Hartly Green**, Nashville, TN (US); **Matthew William Vergin**, Anderson, SC (US); **Benjamin Paul Shrader**, Anderson, SC (US)

(73) Assignee: **Electrolux Home Products, Inc.**, Charlotte, NC (US)

(**) **Term:** **14 Years**

(21) **Appl. No.:** **29/391,625**

(22) **Filed:** **May 11, 2011**

(51) **LOC (9) Cl.** **07-01**

(52) **U.S. Cl.** **D7/319; D7/317**

(58) **Field of Classification Search** **D7/598, D7/600, 317-319; 220/737; 222/475.1**

See application file for complete search history.

(56) **References Cited**

U.S. PATENT DOCUMENTS

D322,007 S *	12/1991	Adams et al.	D7/317
D346,525 S	5/1994	Littmann		
D411,404 S *	6/1999	Littmann	D7/319
D442,014 S *	5/2001	Haring et al.	D7/319
D447,904 S *	9/2001	Kling	D7/309
6,561,390 B2 *	5/2003	Boyte et al.	222/475.1
D484,733 S *	1/2004	Kling	D7/309
D490,639 S *	6/2004	Kling	D7/318
6,968,984 B2 *	11/2005	Mulle	222/475.1
D524,588 S	7/2006	Copland		

D553,897 S	10/2007	De Longhi		
D588,854 S	3/2009	Hausner et al.		
D625,134 S	10/2010	Moore et al.		
D628,007 S	11/2010	Di Bitonto et al.		
D658,423 S *	5/2012	Curtis et al.	D7/309

FOREIGN PATENT DOCUMENTS

CA	86087	3/1999
CA	110632	2/2007
CN	3072643	1/1997
CN	3100906	2/1999
CN	300707723	10/2006
CN	300899154	12/2007
CN	301423783	7/2010
CN	301456035	10/2010

* cited by examiner

Primary Examiner — Marianne Pandozzi

(74) *Attorney, Agent, or Firm* — Banner & Witcoff, Ltd.

(57) **CLAIM**

The ornamental design for a carafe, as shown and described.

DESCRIPTION

FIG. 1 is a perspective view of a carafe showing our new design;

FIG. 2 is a rear view thereof;

FIG. 3 is a front view thereof;

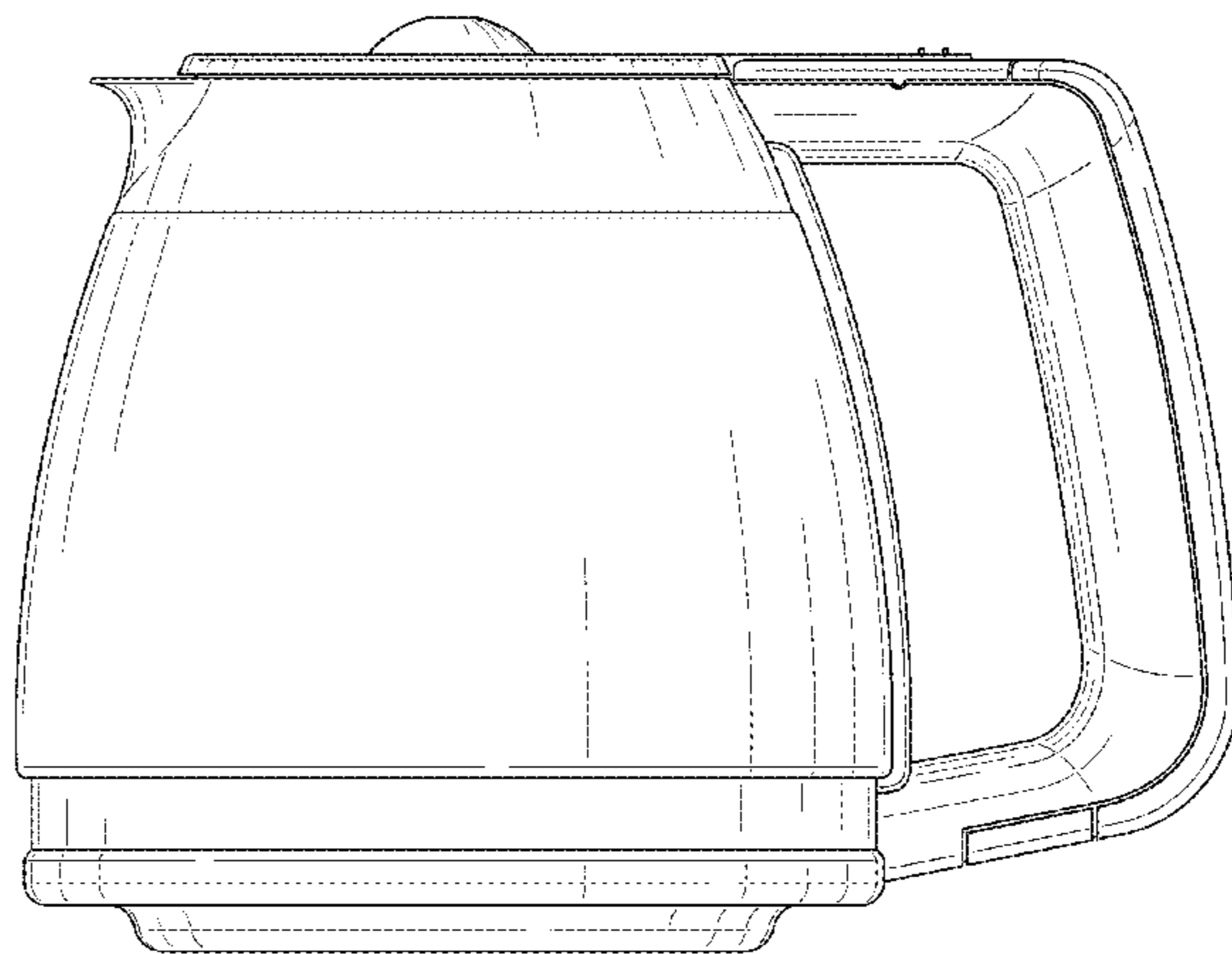
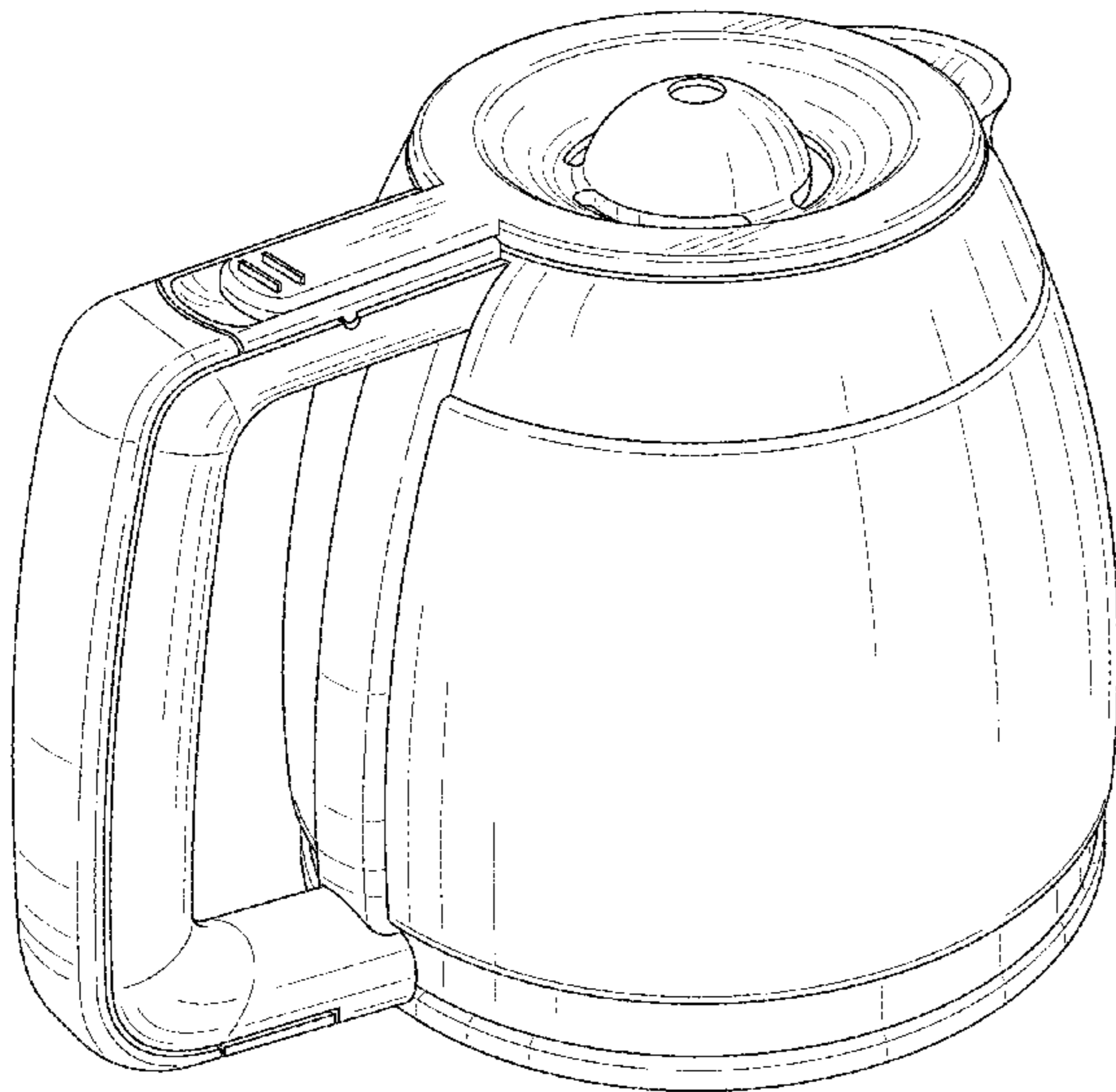
FIG. 4 is a left side view thereof;

FIG. 5 is a right side view thereof;

FIG. 6 is a top plan view thereof; and,

FIG. 7 is bottom view thereof.

1 Claim, 7 Drawing Sheets



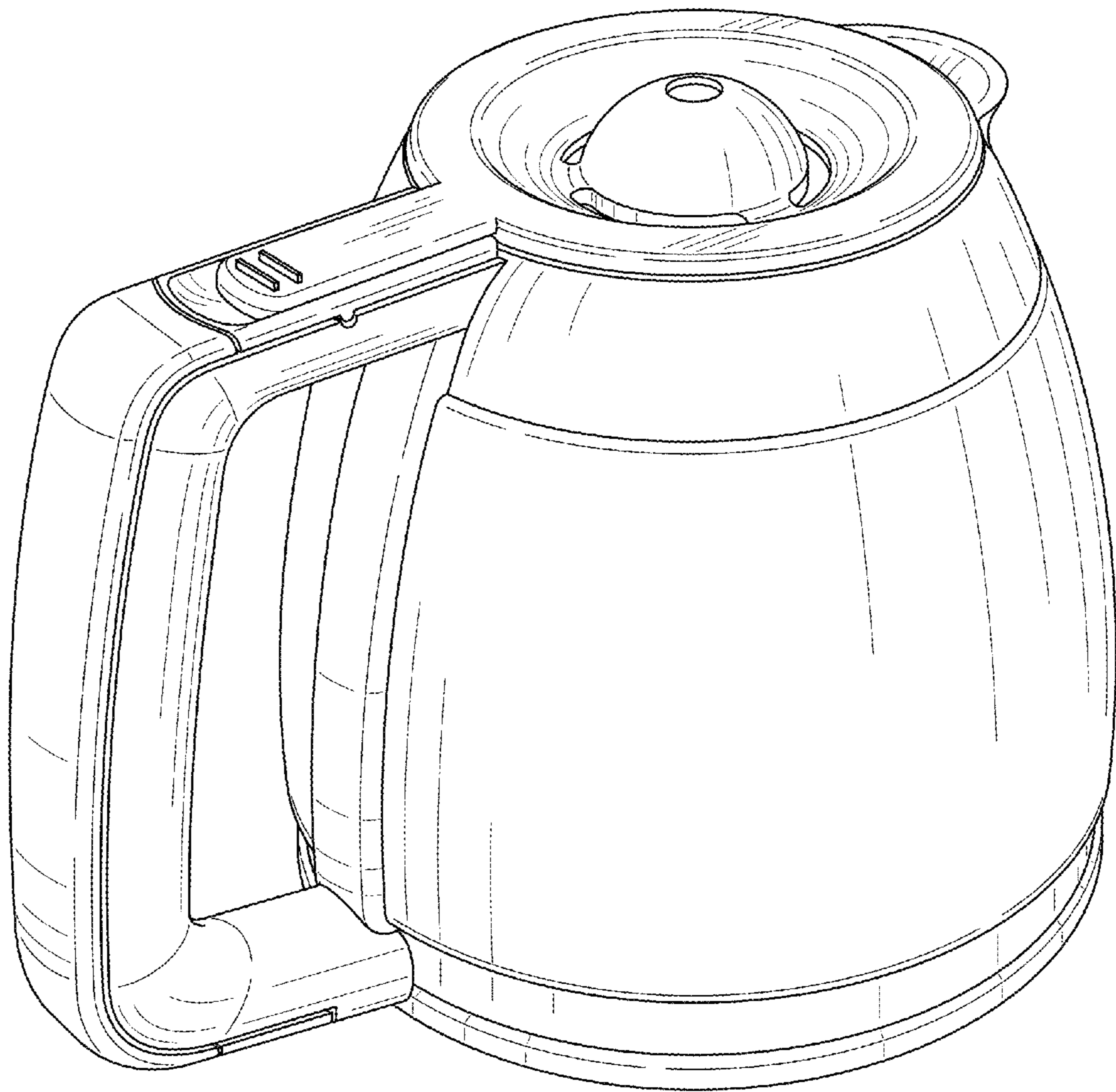


FIG. 1

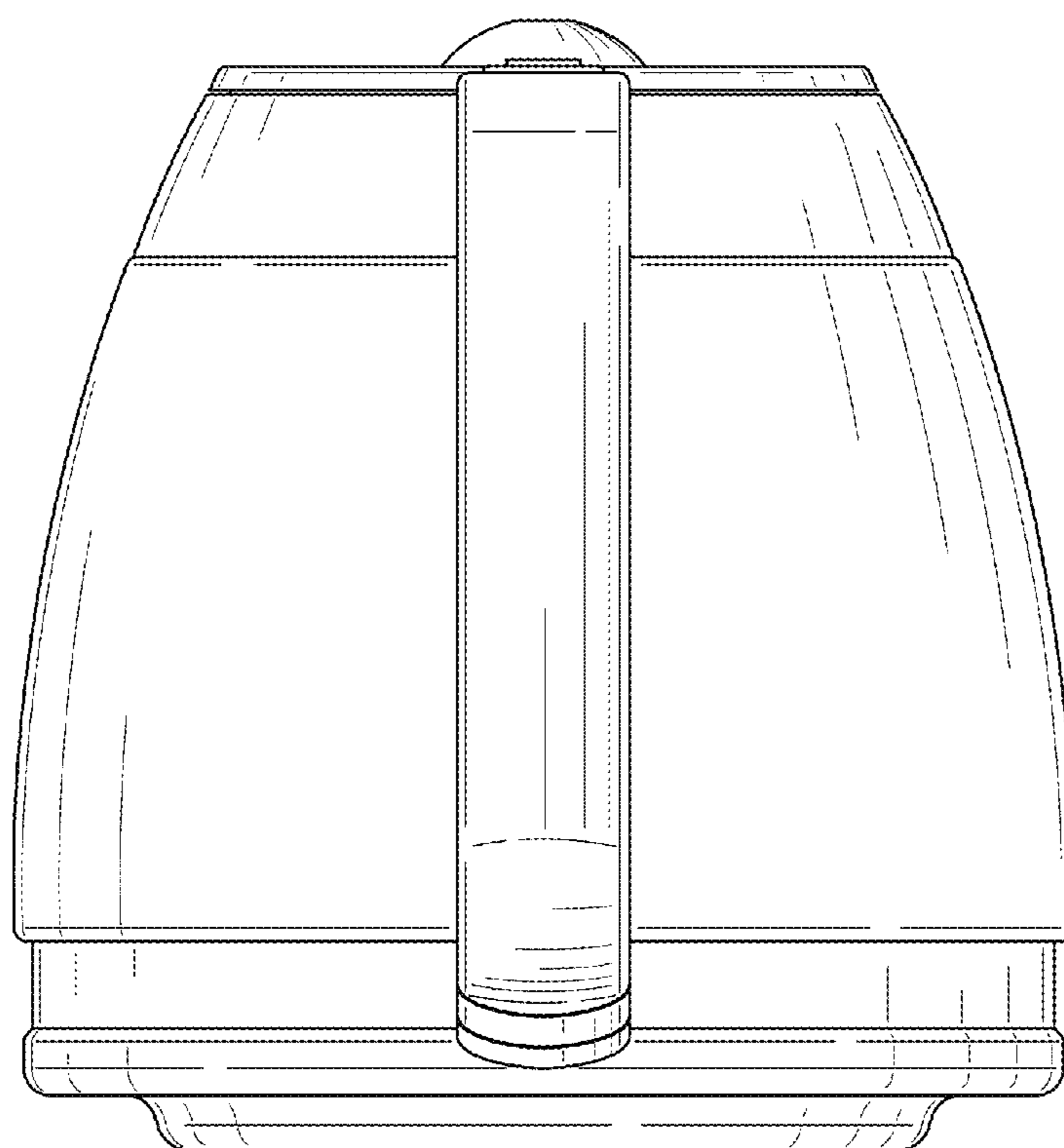


FIG. 2

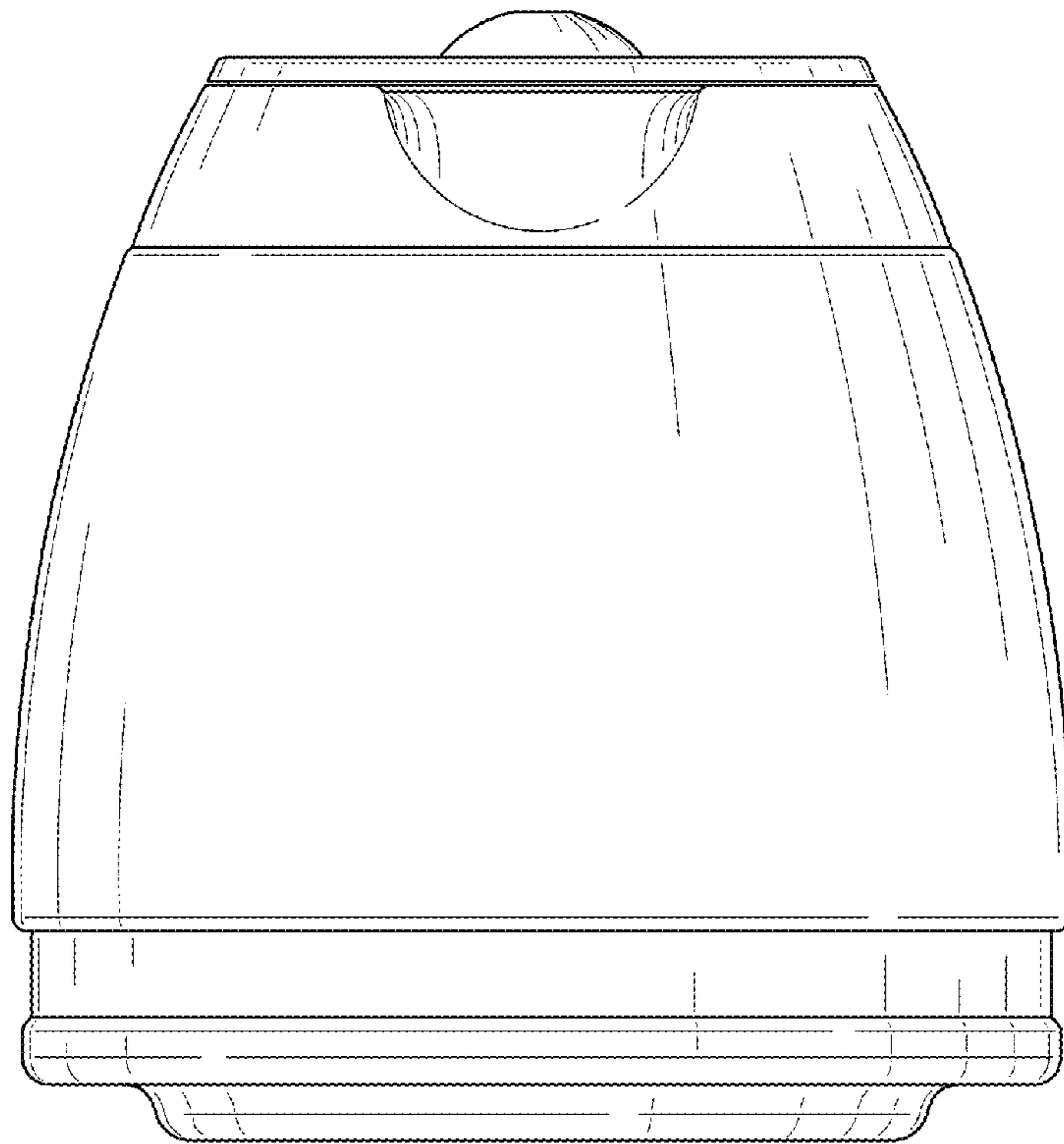


FIG. 3

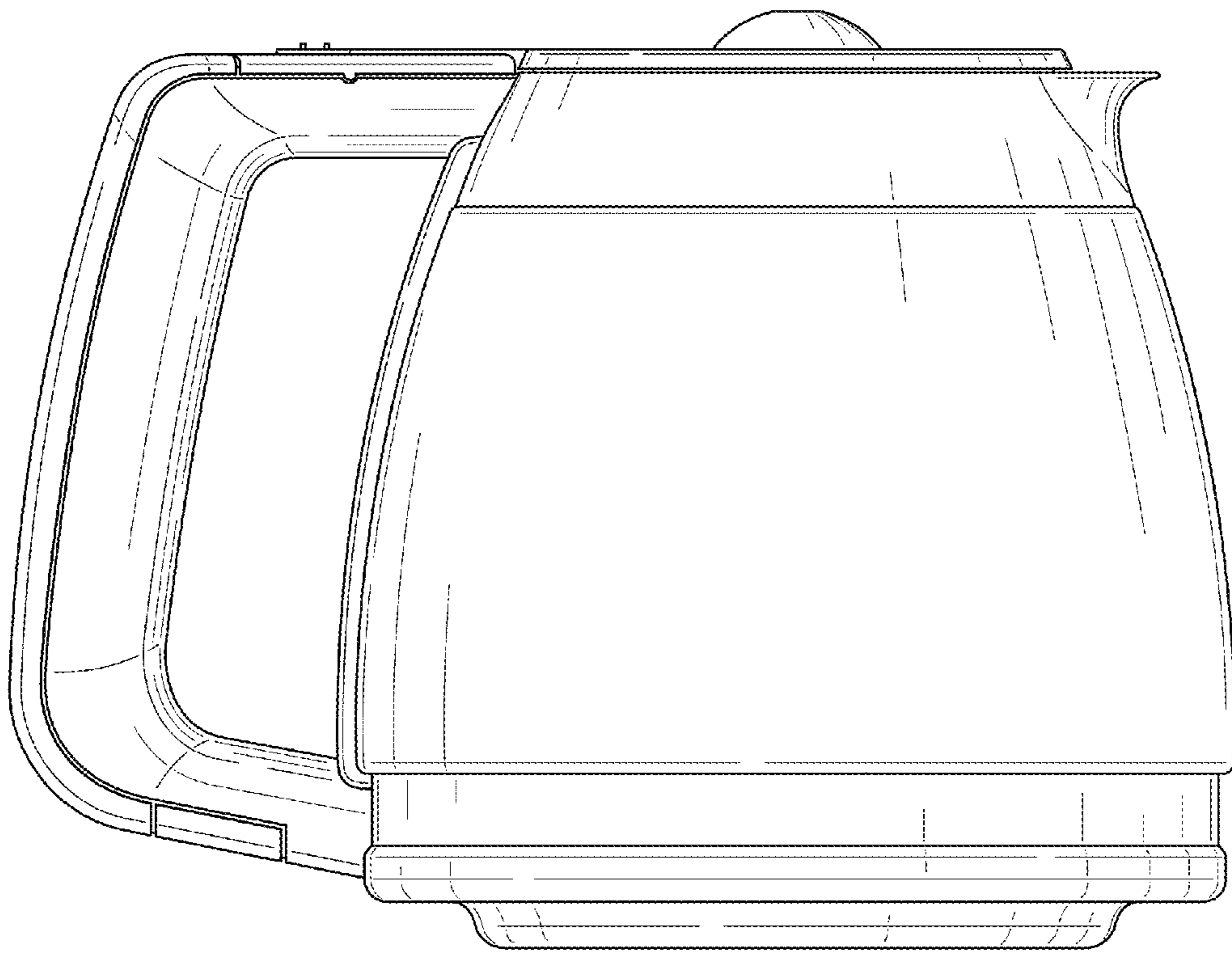


FIG. 4

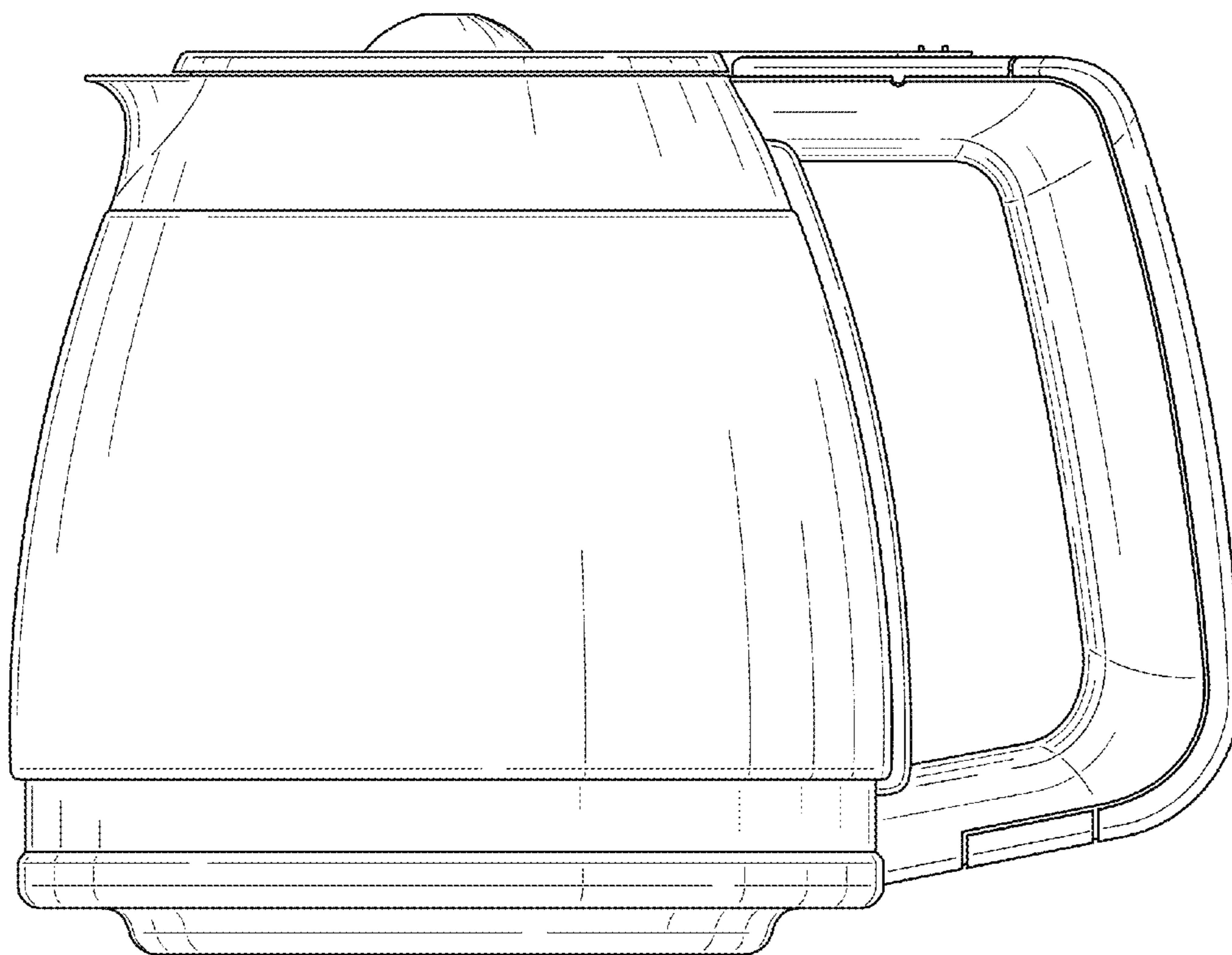


FIG. 5

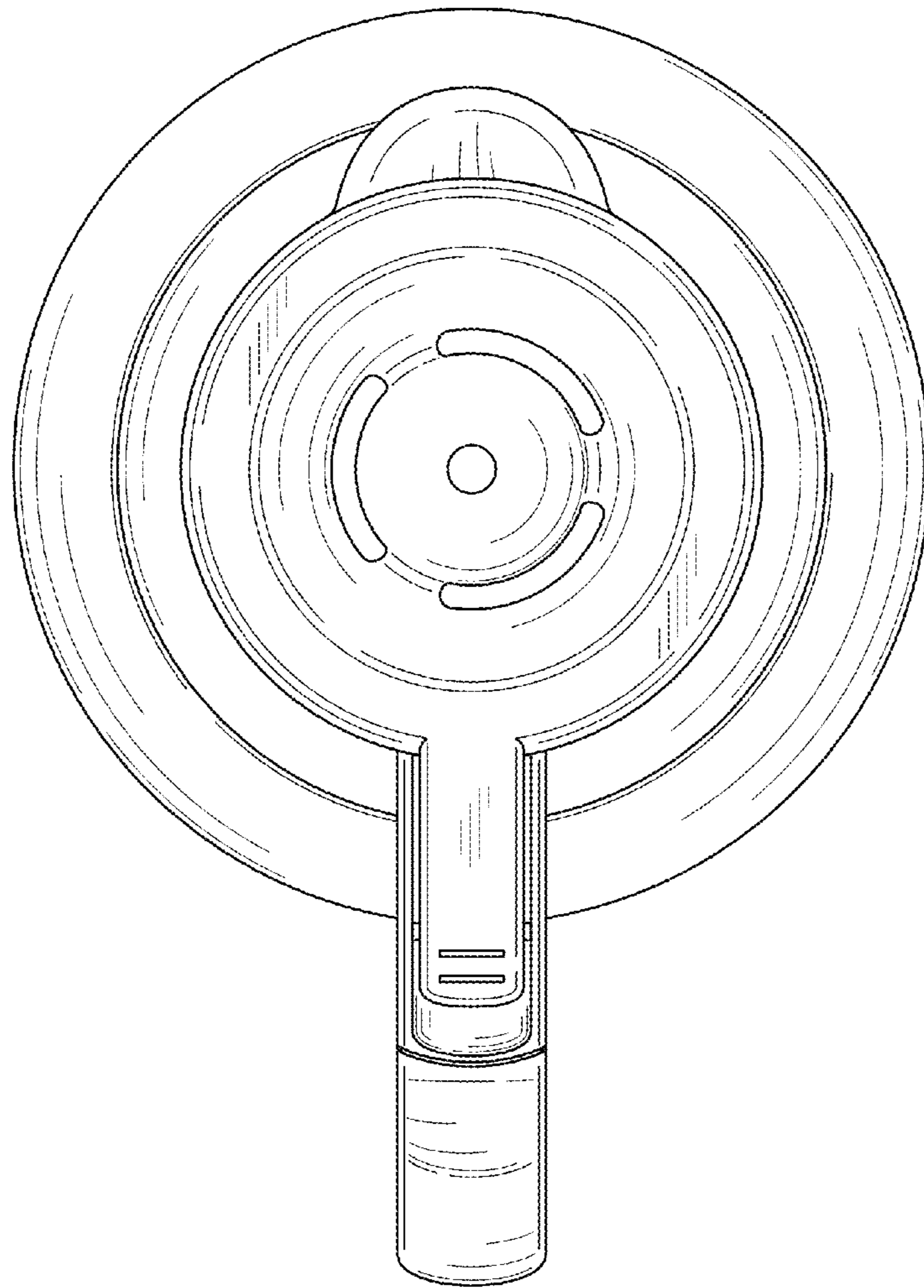


FIG. 6

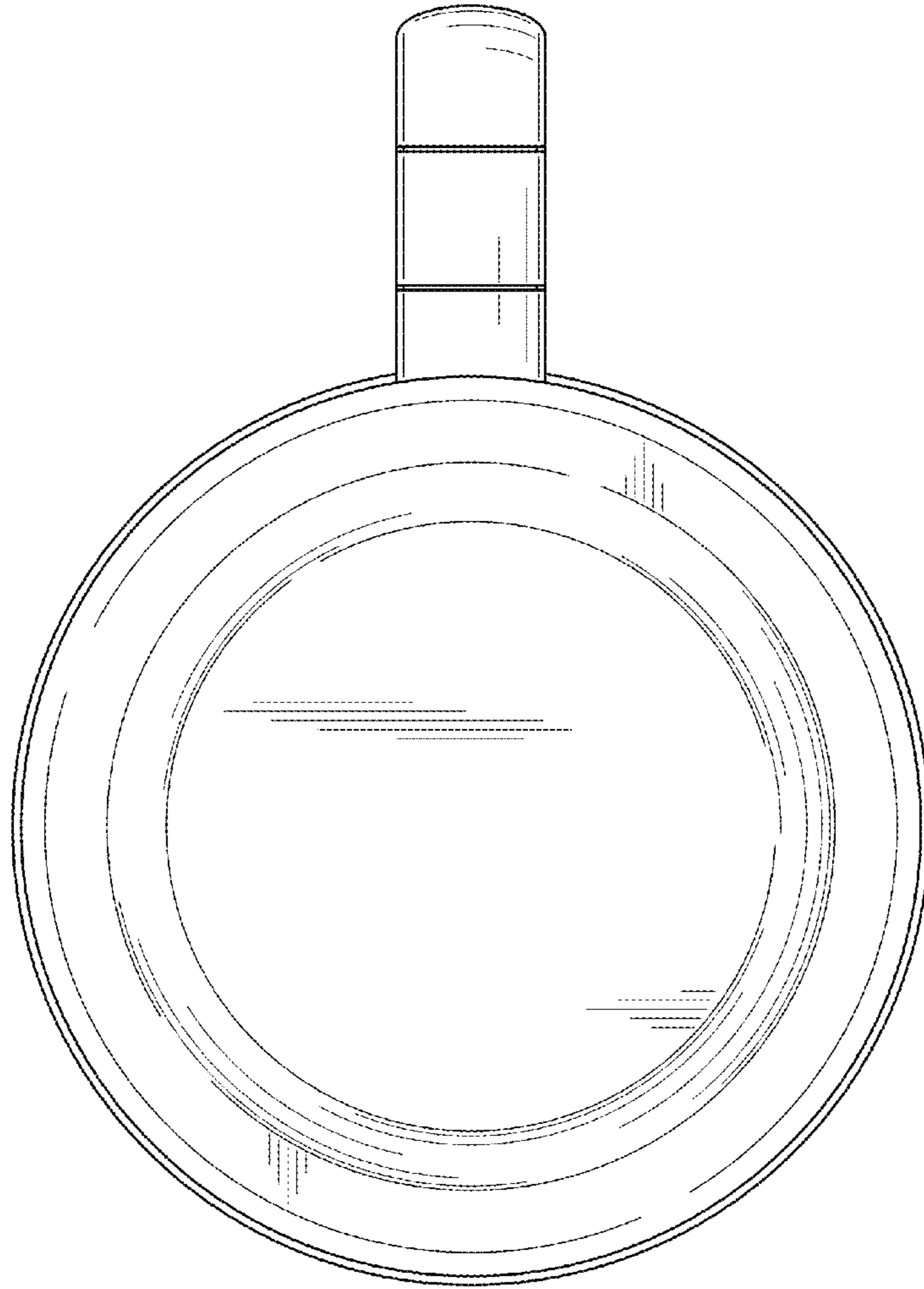


FIG. 7