



US00D668091S

(12) **United States Design Patent**  
**Zahner**

(10) **Patent No.:** **US D668,091 S**  
(45) **Date of Patent:** **\*\* Oct. 2, 2012**

(54) **SHOWER CURTAIN**

- (75) Inventor: **David Zahner**, New York, NY (US)
- (73) Assignee: **Zahner Design Group, Ltd.**, New York, NY (US)
- (\*\*) Term: **14 Years**
- (21) Appl. No.: **29/403,909**
- (22) Filed: **Oct. 12, 2011**

**Related U.S. Application Data**

- (60) Continuation of application No. 11/978,532, filed on Oct. 29, 2007, which is a continuation of application No. 11/209,334, filed on Aug. 23, 2005, now Pat. No. 7,296,609, which is a continuation of application No. 10/320,340, filed on Dec. 16, 2002, now Pat. No. 6,935,402, and a division of application No. 10/062,588, filed on Jul. 5, 2001, now Pat. No. 7,788,733, which is a continuation of application No. 09/738,555, filed on Dec. 15, 2000, now abandoned, which is a continuation of application No. 09/617,402, filed on Jul. 17, 2000, now Pat. No. 6,494,248, said application No. 10/320,340 is a division of application No. 09/916,603, filed on Jul. 27, 2001, now Pat. No. 7,058,988, which is a continuation of application No. 09/738,545, filed on Dec. 15, 2000, now abandoned.
- (51) **LOC (9) Cl.** ..... **06-10**
- (52) **U.S. Cl.** ..... **D6/580**
- (58) **Field of Classification Search** ..... D6/575, D6/576, 578, 579, 580, 581; 160/38, 39, 160/123, 168.1, 168.1 R, 168.1 V, 173, 173 R, 160/176.1 R, 176.1 V, 178.1 R, 178.2, 331, 160/349.1; 318/16, 17, 600; 340/854.5; 84/10; D15/28; D8/367

See application file for complete search history.

(56) **References Cited**

U.S. PATENT DOCUMENTS

554,066 A	2/1896	Jager
635,295 A	10/1899	Brown
759,045 A	5/1904	Tracy
987,983 A	3/1911	Harris
996,886 A	7/1911	Schneider
1,193,891 A	8/1916	Greene
1,338,783 A	5/1920	Lobar
1,345,547 A	7/1920	McDonald
1,564,301 A	12/1925	Wilson
1,687,859 A	10/1928	Fontaine
1,831,776 A	11/1931	Nelson
1,957,096 A	5/1934	Connell
1,990,278 A	2/1935	Friedman

(Continued)

FOREIGN PATENT DOCUMENTS

GB 1490667 11/1977

*Primary Examiner* — Susan Bennett Hattan  
*Assistant Examiner* — Barbara B Lohr  
(74) *Attorney, Agent, or Firm* — Goldberg Cohen LLP

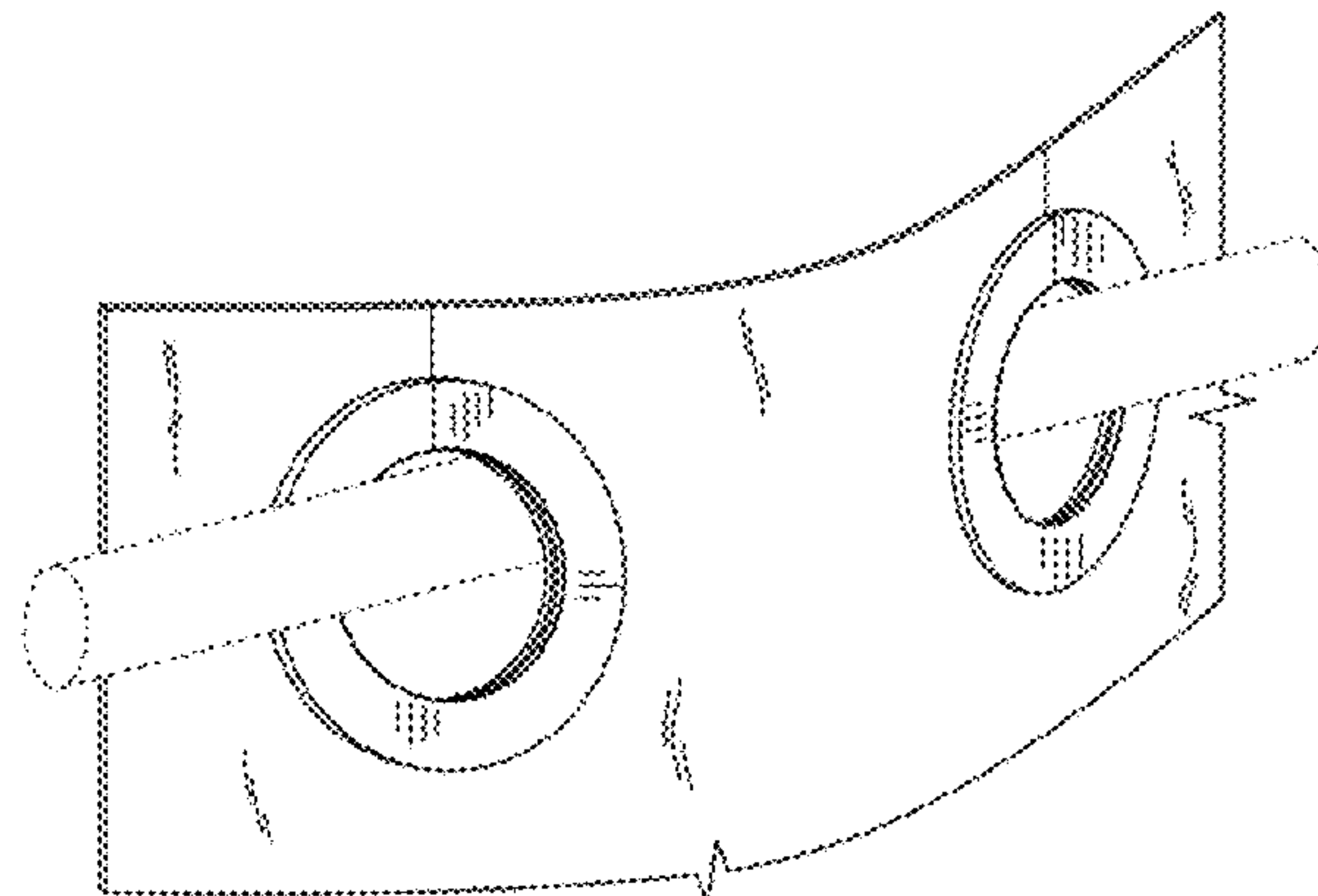
(57) **CLAIM**

I claim the ornamental design for a shower curtain, as shown and described.

**DESCRIPTION**

FIG. 1 is a perspective view of the shower curtain of the present invention (when in use on a shower curtain rod); FIG. 2 is a front view thereof; FIG. 3 is a back view thereof; FIG. 4 is a right side view thereof, with the left side view being a mirror image thereof; FIG. 5 is a top view thereof; FIG. 6 is a bottom view thereof; and, FIG. 7 is a front view of the shower curtain of the present invention (when not in use on a shower curtain rod). The broken lines in the drawing depict environmental subject matter only and form no part of the claimed design.

**1 Claim, 4 Drawing Sheets**



# US D668,091 S

Page 2

---

U.S. PATENT DOCUMENTS					
2,011,815 A	8/1935	Johnson	4,718,962 A	1/1988	Goodwin
2,551,384 A	5/1951	Middleton et al.	5,101,877 A	4/1992	Subecz et al.
2,666,481 A	1/1954	White	5,111,868 A	5/1992	Sawaya
2,711,555 A	6/1955	Hanson	5,186,232 A	2/1993	Zahner
2,828,900 A	4/1958	Le Roy	5,367,742 A	11/1994	Bindman
2,831,353 A	4/1958	Lishman	5,421,059 A	6/1995	Leffers, Jr.
2,897,535 A	8/1959	Radler	5,590,972 A	1/1997	Shobin
3,115,181 A	12/1963	Snyder	5,806,141 A	9/1998	Kolisch
3,388,734 A	6/1968	Silvestre	6,189,597 B1	2/2001	Cheng
3,772,734 A	11/1973	Kimel	D551,950 S *	10/2007	Davenport ..... D8/367
3,897,535 A	7/1975	Lapac et al.	D583,602 S *	12/2008	Pannell ..... D6/575
4,031,943 A	6/1977	Silvestre	7,909,082 B2 *	3/2011	Peoples ..... 160/123

\* cited by examiner

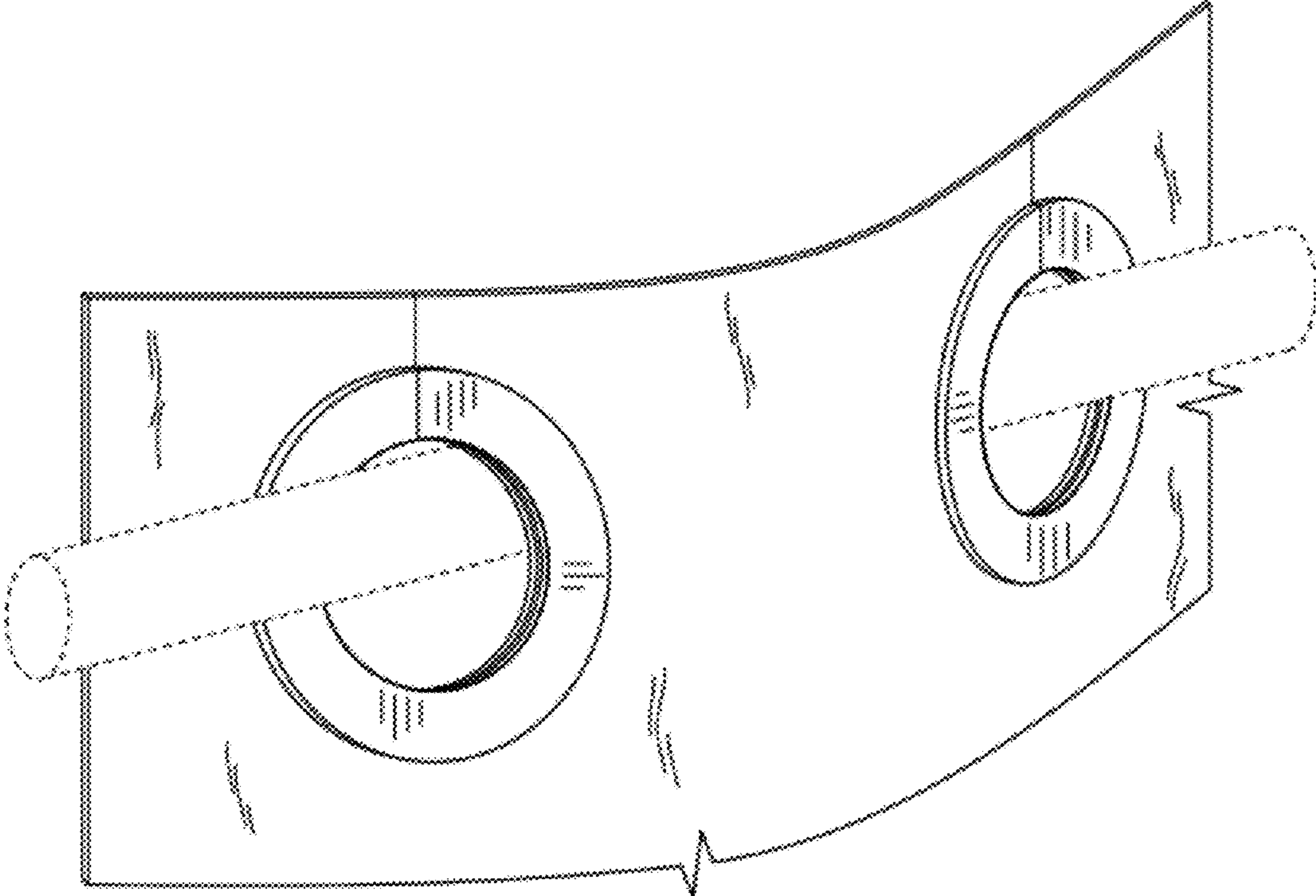
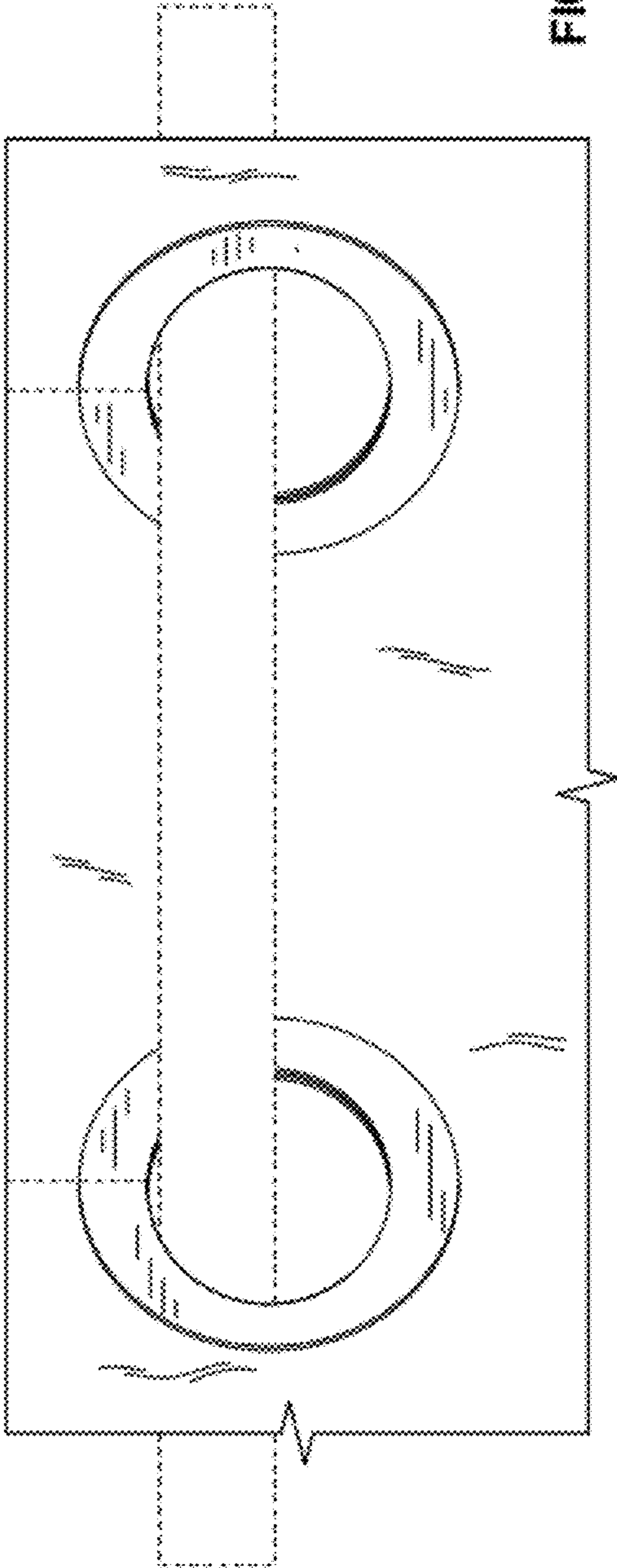
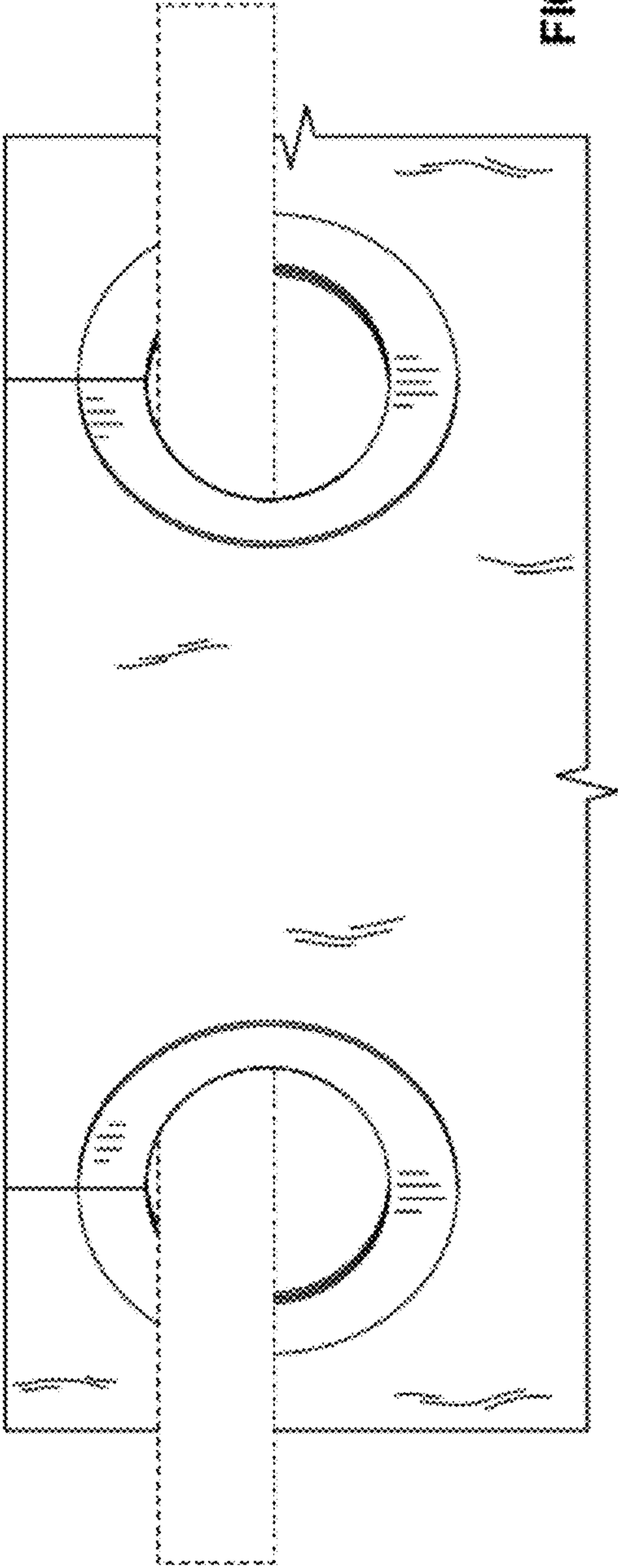


FIG. 1





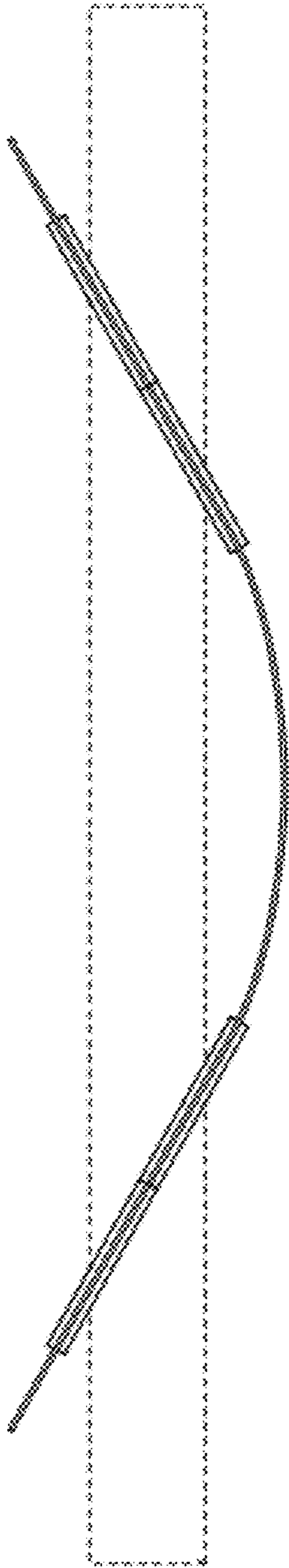


FIG. 5

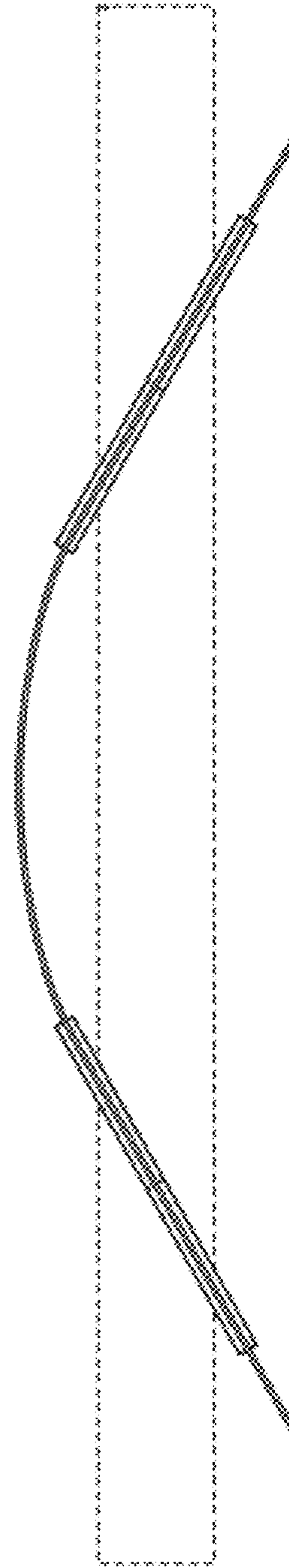


FIG. 6

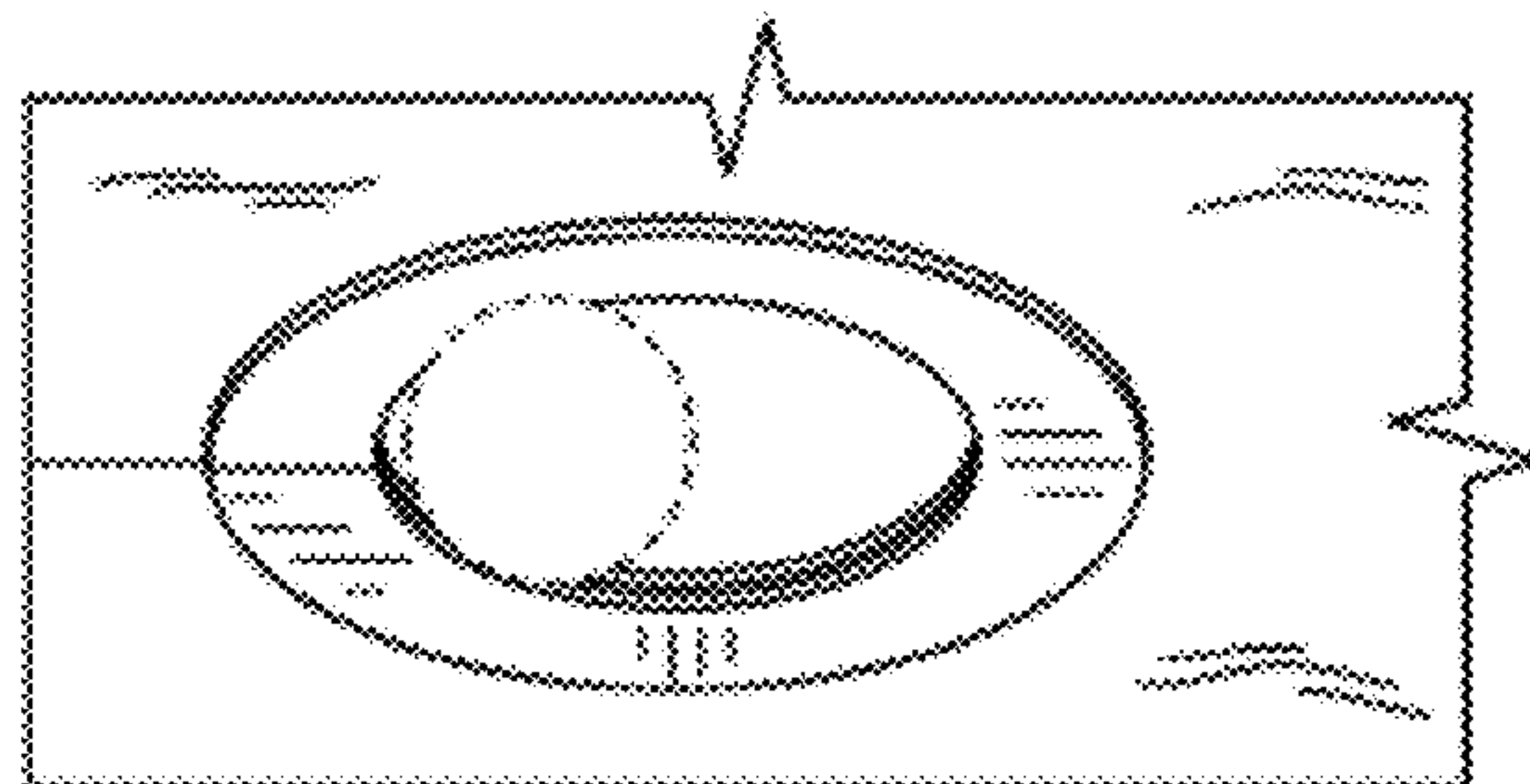


FIG. 4

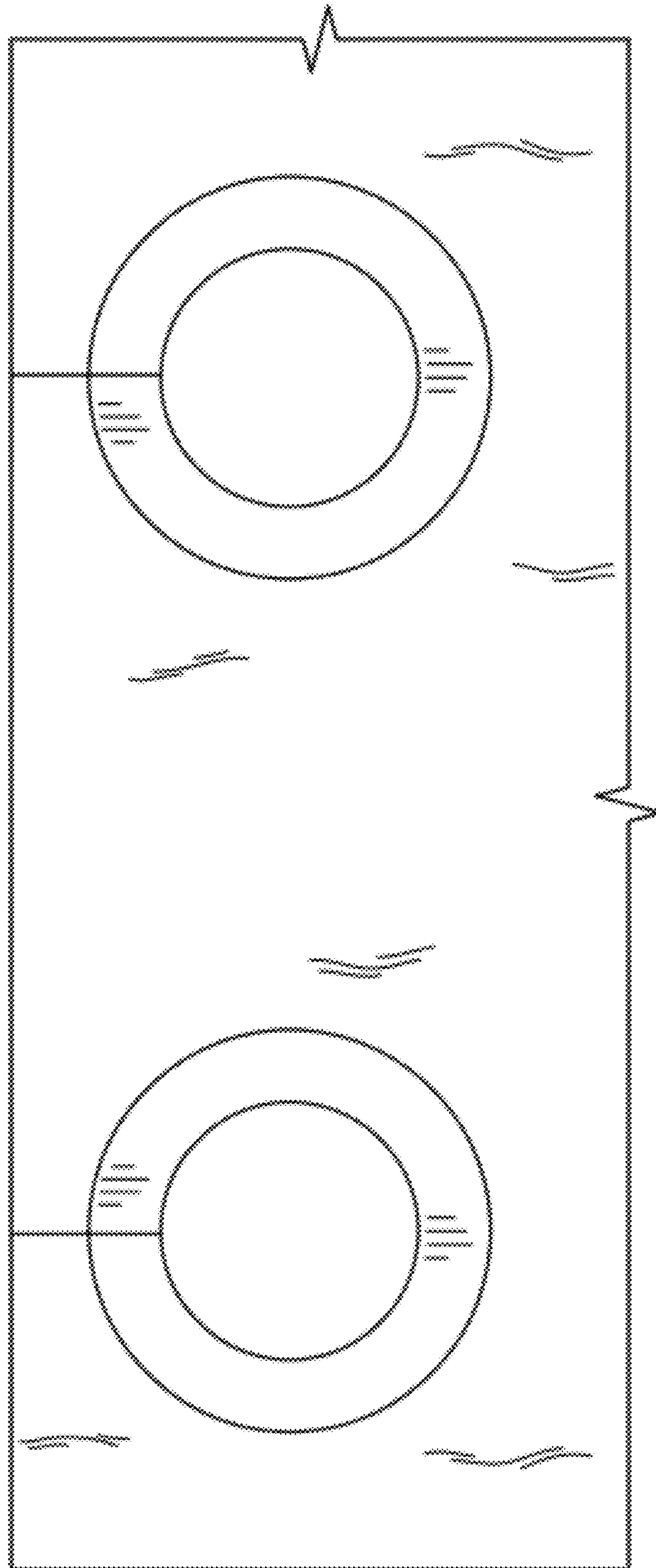


FIG. 7