



US00D668088S

(12) **United States Design Patent**
Parker

(10) **Patent No.:** **US D668,088 S**

(45) **Date of Patent:** **** Oct. 2, 2012**

(54) **PLASTIC FLATWARE DISPENSER**

(76) Inventor: **Barbara A. Parker**, Detroit, MI (US)

(**) Term: **14 Years**

(21) Appl. No.: **29/411,784**

(22) Filed: **Jan. 26, 2012**

(51) **LOC (9) Cl.** **20-02**

(52) **U.S. Cl.** **D6/515**

(58) **Field of Classification Search** D6/515-519;
206/225, 233, 389, 391, 440, 441; 211/13.1,
211/45; 222/173, 180; 221/16, 33, 282,
221/283; 242/925, 570, 590; 248/309.1,
248/309.2, 905

See application file for complete search history.

(56) **References Cited**

U.S. PATENT DOCUMENTS

2,141,684	A	12/1938	Diemer	
2,421,782	A	6/1947	Gibbs et al.	
3,132,765	A	5/1964	Florendo	
D329,159	S *	9/1992	Oldorf	D6/515
5,921,408	A	7/1999	Groenewold et al.	
D430,423	S *	9/2000	Sicignano, III	D6/517
6,336,568	B1	1/2002	Tucker et al.	

D461,663	S *	8/2002	Tucker et al.	D6/515
6,832,694	B2	12/2004	Goeking et al.	
D537,683	S	3/2007	Tucker	
D586,598	S *	2/2009	Tefel et al.	D6/515
D605,442	S *	12/2009	Elhalwani	D6/515
D640,077	S *	6/2011	Jensen et al.	D6/517
2007/0193968	A1	8/2007	Smith et al.	
2008/0121650	A1	5/2008	Smith	
2010/0084418	A1	4/2010	Reinsel et al.	

* cited by examiner

Primary Examiner — Brian N Vinson

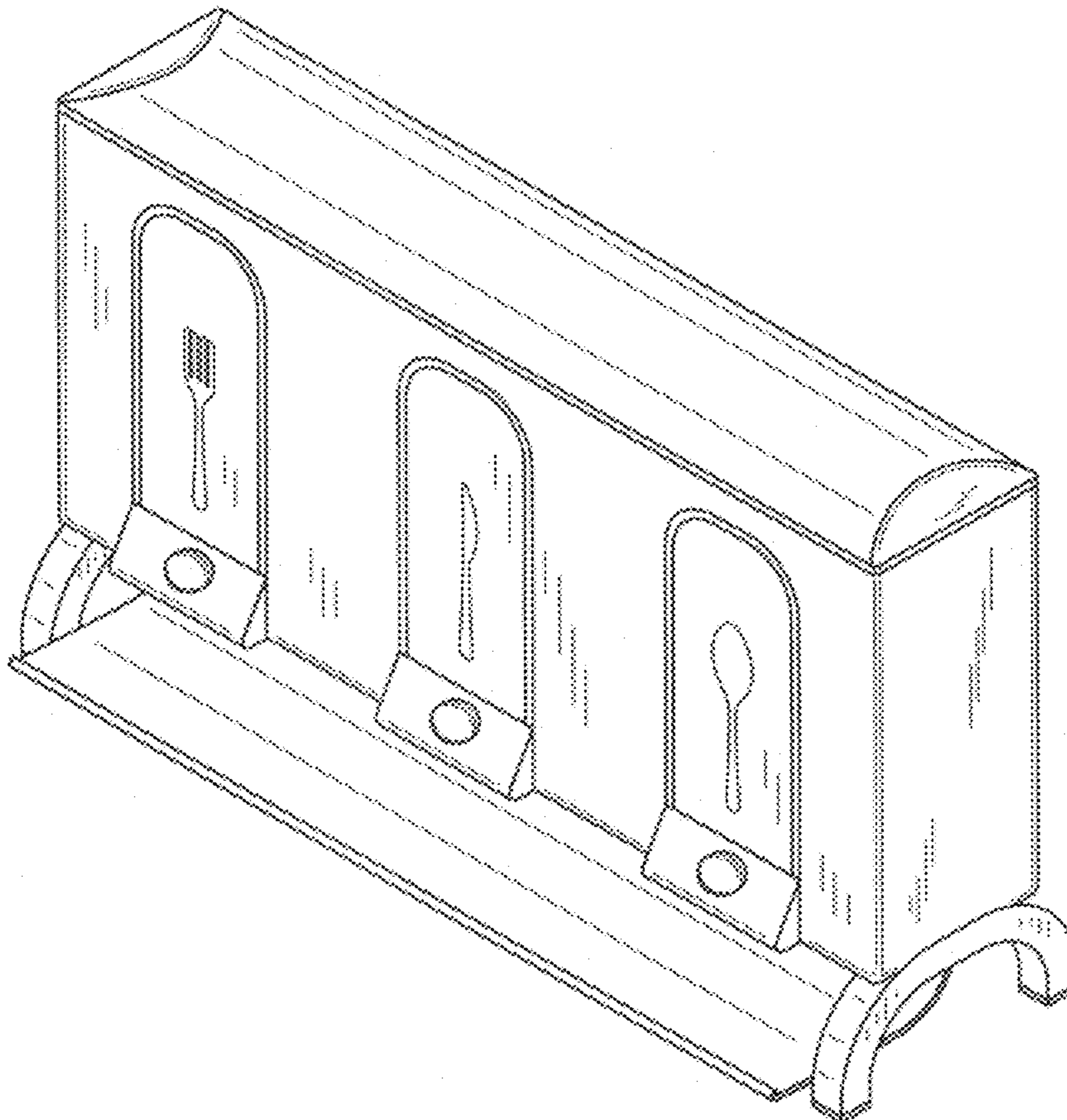
(57) **CLAIM**

The ornamental design for a plastic flatware dispenser, as shown and described.

DESCRIPTION

FIG. 1 is a perspective view of a plastic flatware dispenser showing my new design;
FIG. 2 is a front view thereof;
FIG. 3 is a back view thereof;
FIG. 4 is a side view (opposite side view is mirror image) thereof;
FIG. 5 is a top view thereof; and,
FIG. 6 is a bottom view thereof.

1 Claim, 5 Drawing Sheets



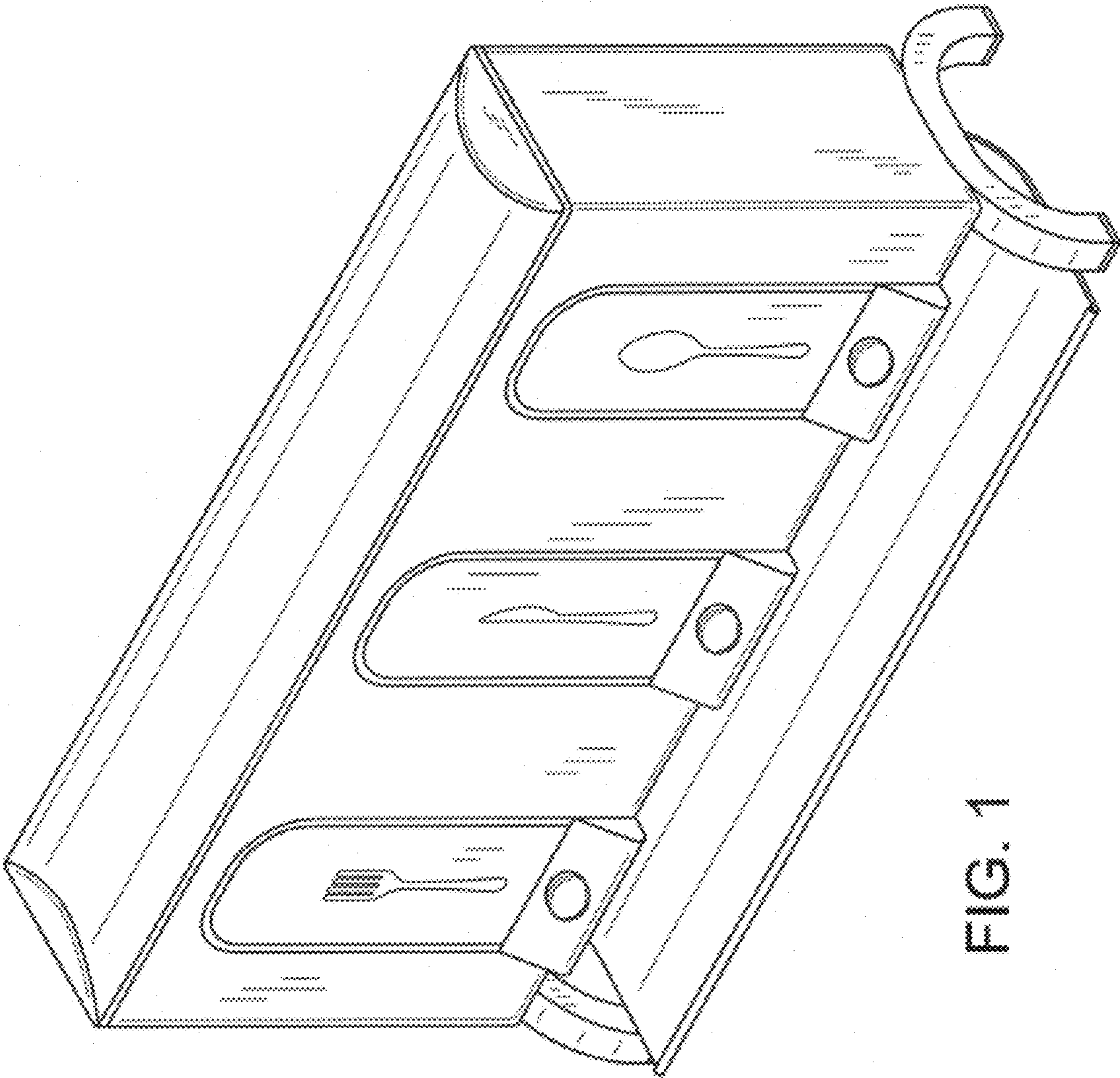


FIG. 1

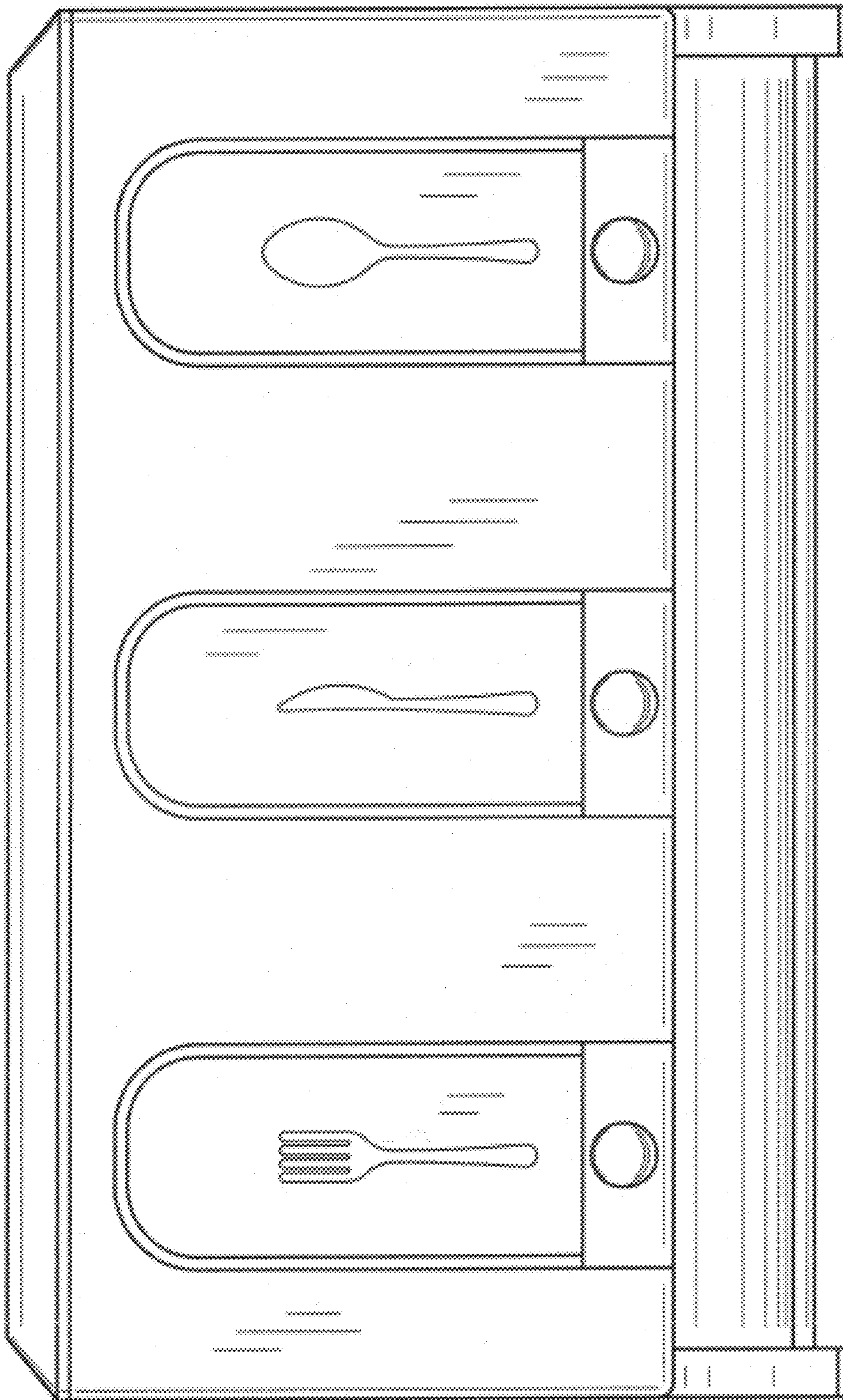


FIG. 2

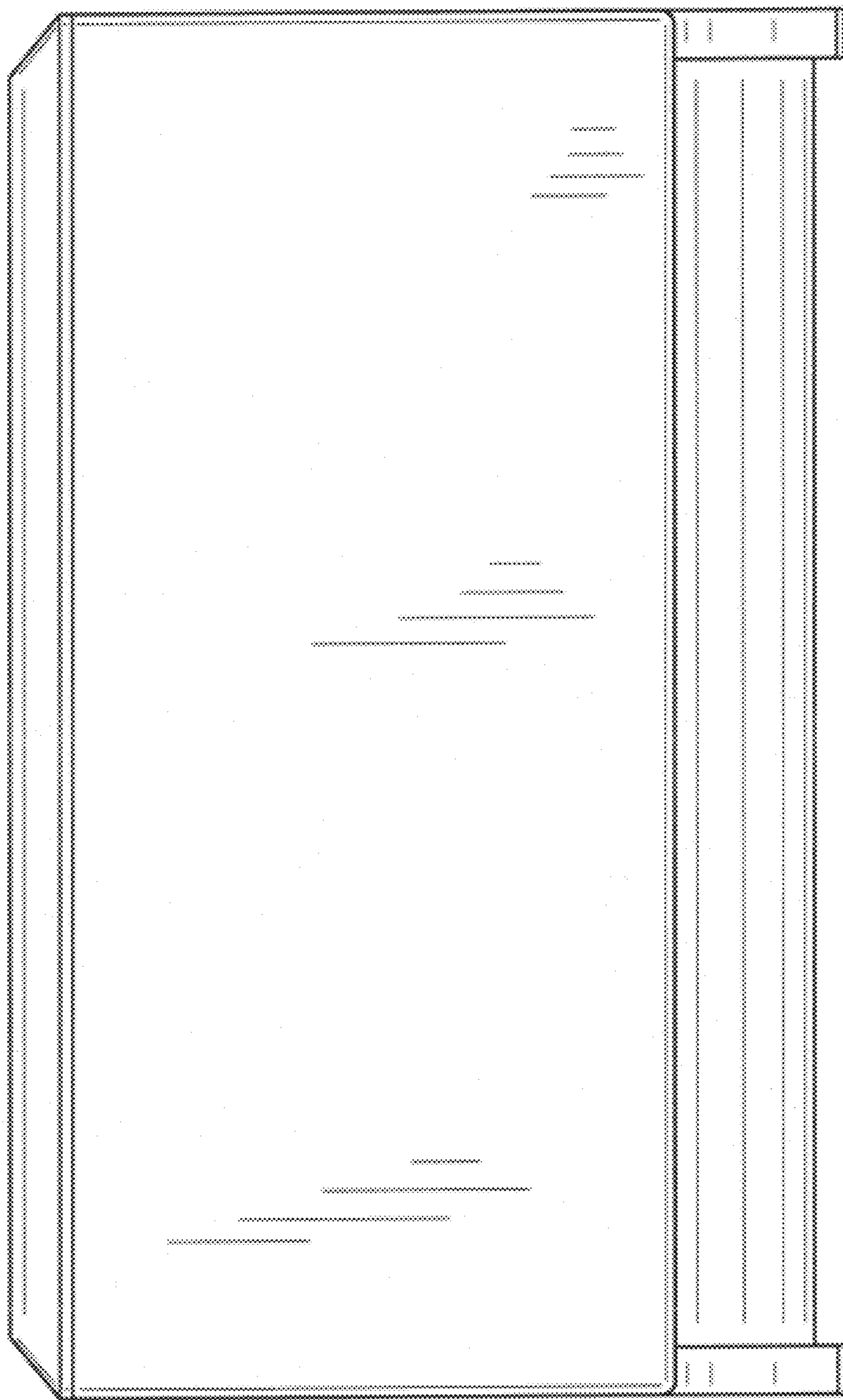


FIG. 3

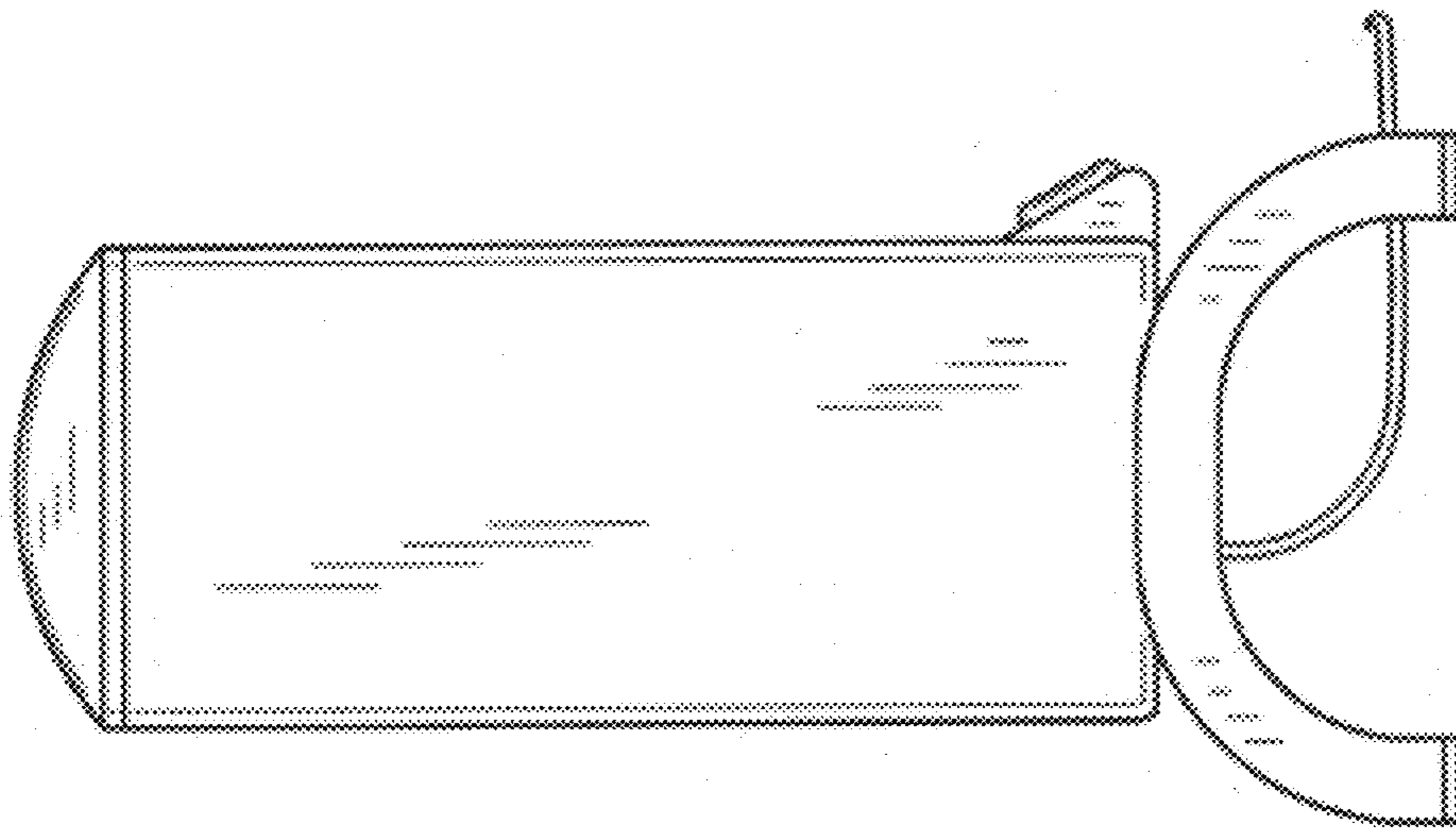


FIG. 4

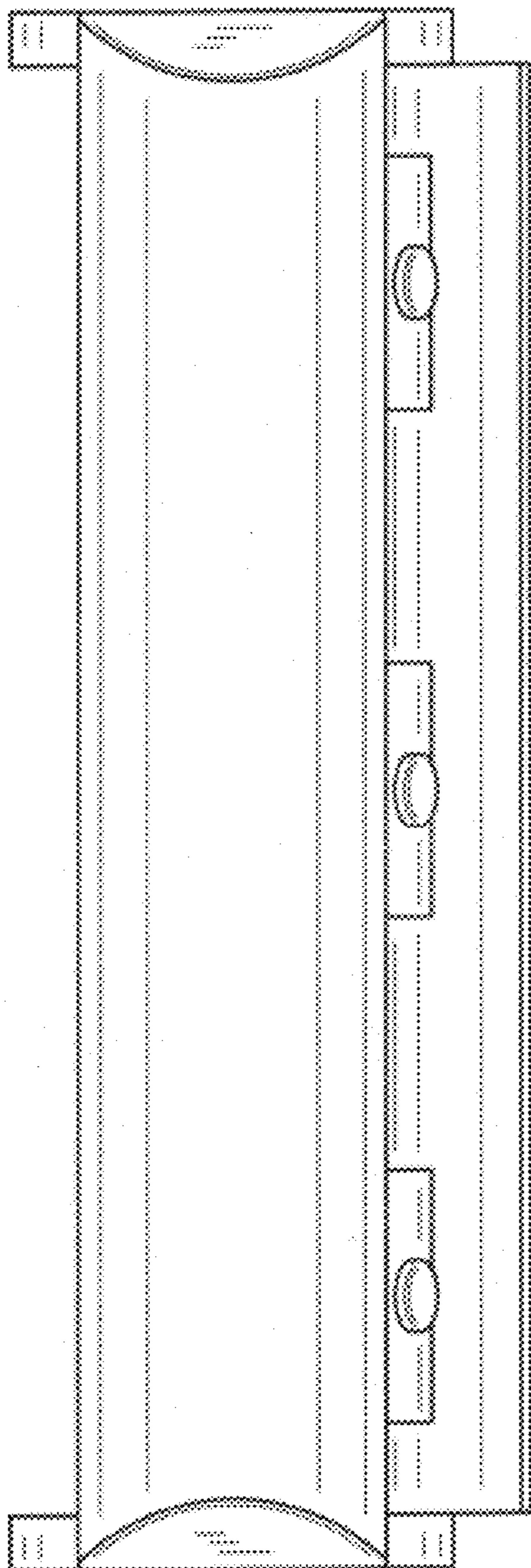


FIG. 5

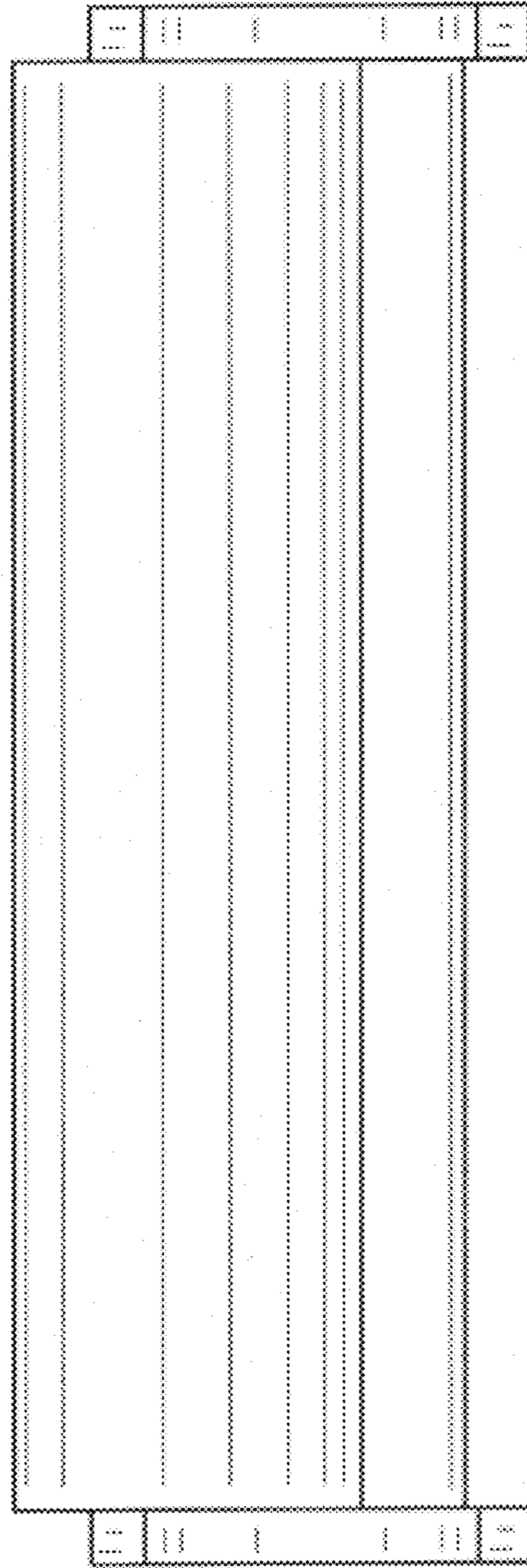


FIG. 6