



US00D668087S

(12) **United States Design Patent**
Fejt

(10) **Patent No.:** **US D668,087 S**

(45) **Date of Patent:** **** Oct. 2, 2012**

(54) **SIDERAIL**

(75) Inventor: **Miroslav Fejt**, Kladno (CZ)

(73) Assignee: **LINET spol. S R.O.**, Slany (CZ)

(**) Term: **14 Years**

(21) Appl. No.: **29/390,973**

(22) Filed: **May 2, 2011**

(51) **LOC (9) Cl.** **06-06**

(52) **U.S. Cl.** **D6/503**

(58) **Field of Classification Search** D6/382–384,
D6/392–395, 503; 5/600, 607, 613, 200.1,
5/286, 663, 424, 425, 662

See application file for complete search history.

(56) **References Cited**

U.S. PATENT DOCUMENTS

D534,745 S *	1/2007	Garcia	D6/492
2007/0174965 A1 *	8/2007	Lemire et al.	5/600
2011/0191957 A1 *	8/2011	Hornbach et al.	5/425
2011/0214234 A1 *	9/2011	Herman	5/600
2011/0231996 A1 *	9/2011	Lemire et al.	5/613
2011/0277242 A1 *	11/2011	Dionne et al.	5/611

* cited by examiner

Primary Examiner — Janice Seeger

(74) *Attorney, Agent, or Firm* — Hitaffer & Hitaffer, PLLC;
Thedford I Hitaffer

(57) **CLAIM**

The ornamental design for a siderail, as shown and described.

DESCRIPTION

FIG. 1 is a front perspective view of a siderail, showing my design.

FIG. 2 is a front elevational view of the siderail.

FIG. 3 is a rear elevational view of the siderail.

FIG. 4 is a top plan view of the siderail.

FIG. 5 is a bottom plan view of the siderail.

FIG. 6 is a left side elevational view of the siderail.

FIG. 7 is a right side elevational view of the siderail.

FIG. 8 is an alternative embodiment of the siderail.

FIG. 9 is a front elevational view of the siderail.

FIG. 10 is a rear elevational view of the siderail.

FIG. 11 is a top plan view of the siderail.

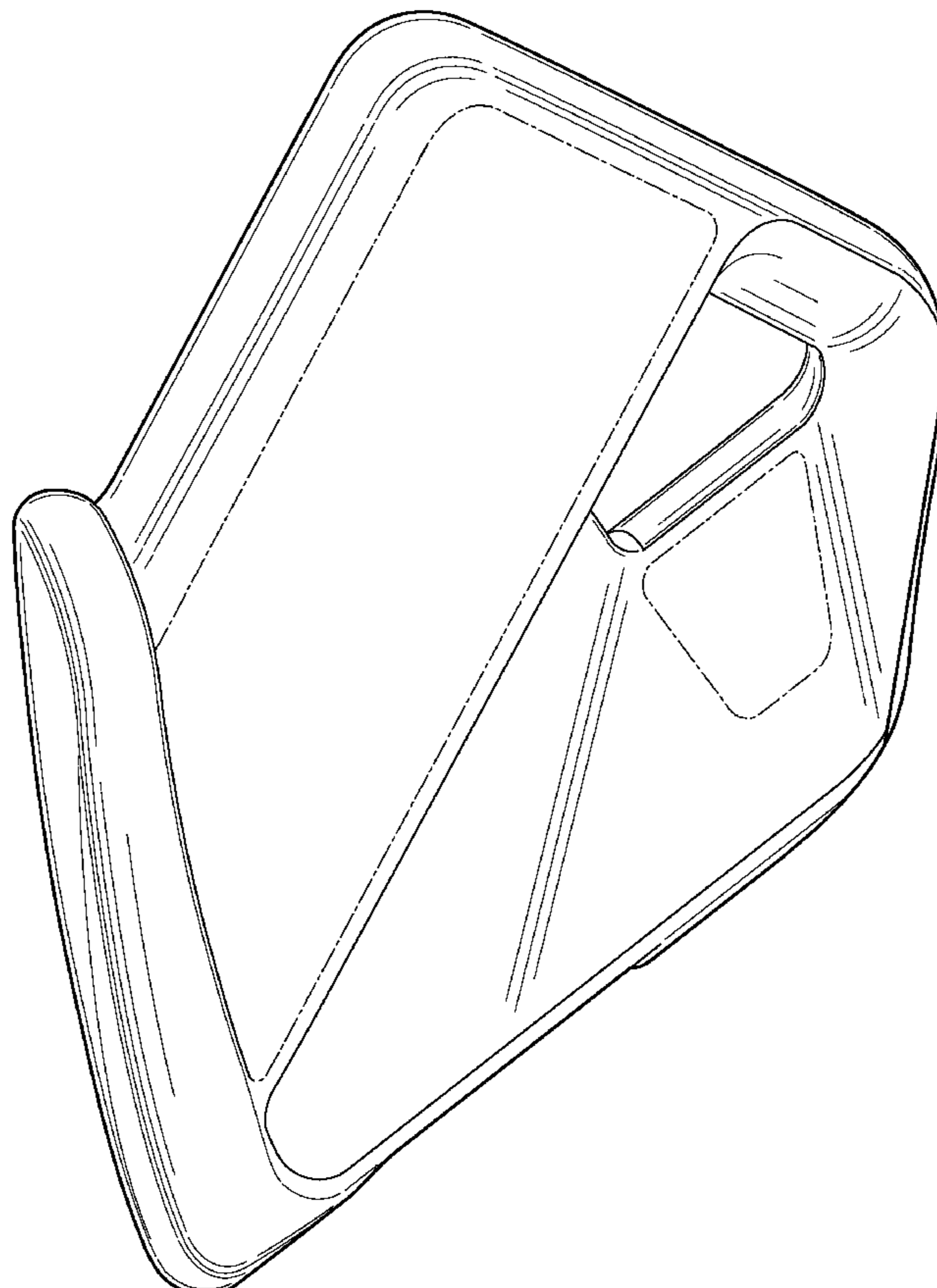
FIG. 12 is a bottom plan view of the siderail.

FIG. 13 is a left side elevational view of the siderail; and,

FIG. 14 is a right side elevational view of the siderail.

The dash broken lines form no part of the claimed design. The dot-dash lines adjacent to the claimed subject matter are boundaries. The boundaries and areas within them form no part of the claimed design.

1 Claim, 12 Drawing Sheets



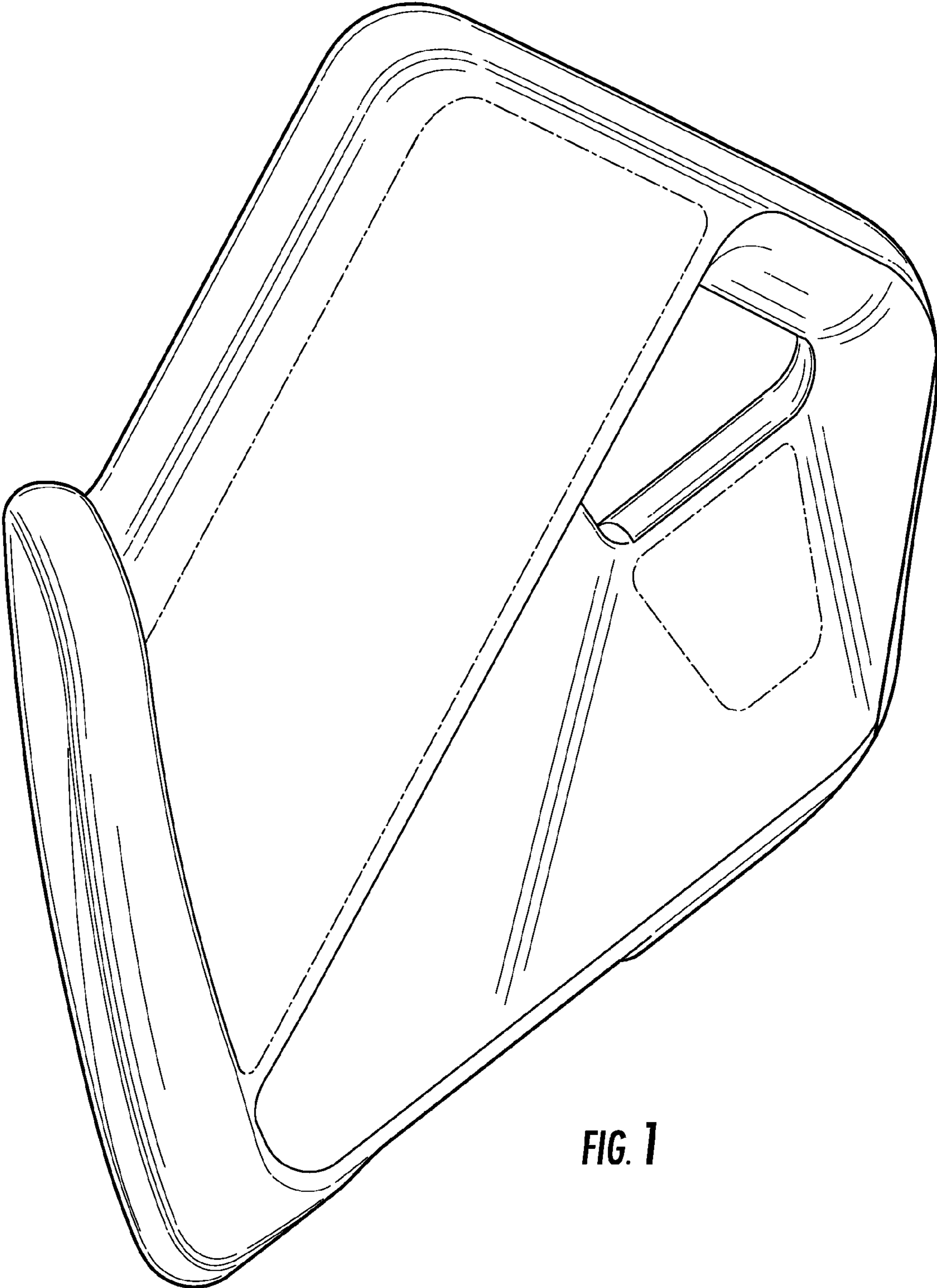


FIG. 1

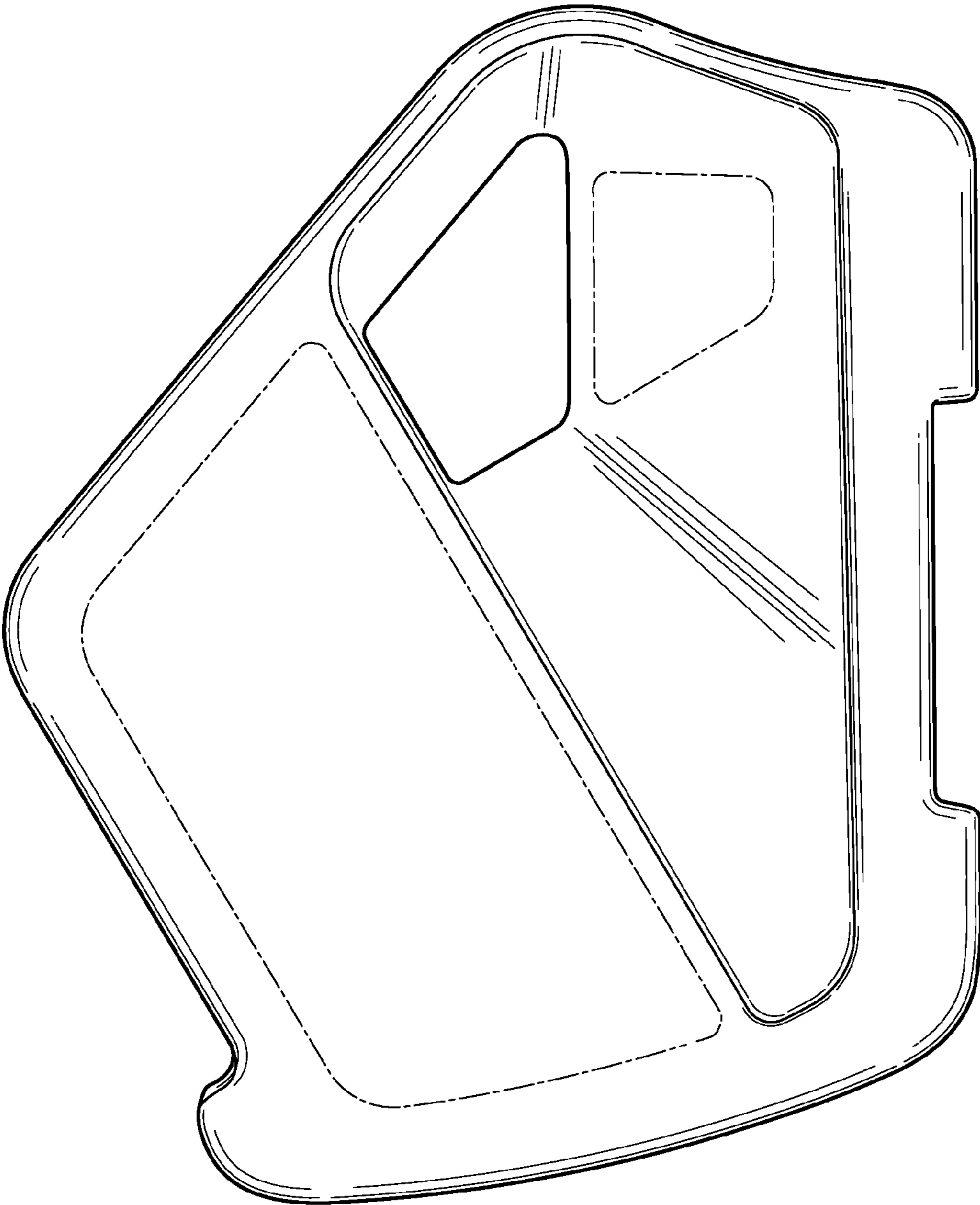


FIG. 2

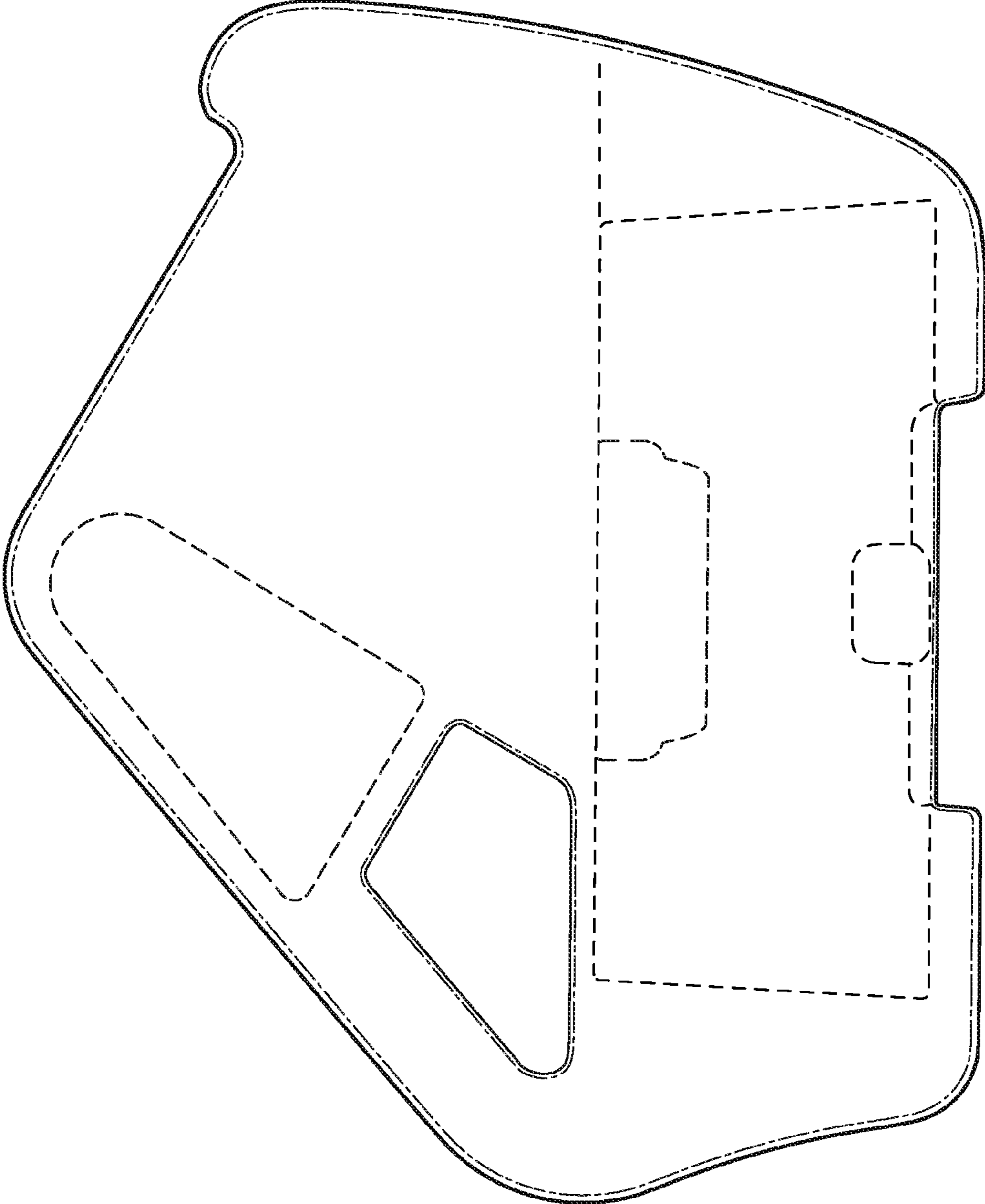


FIG. 3

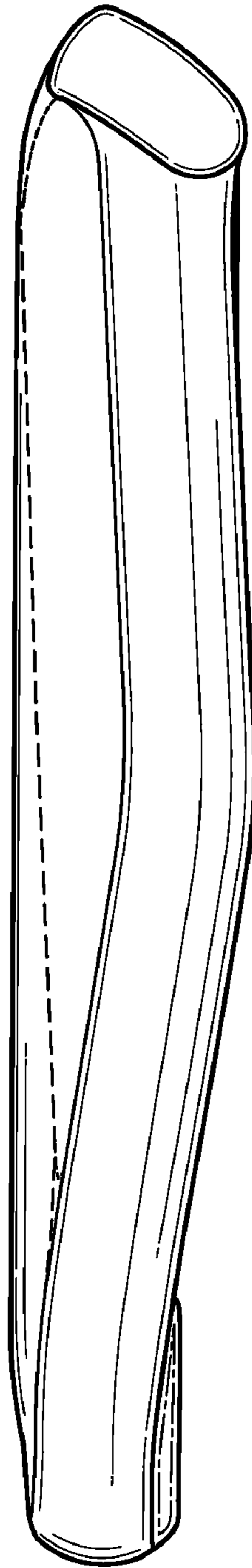


FIG. 4

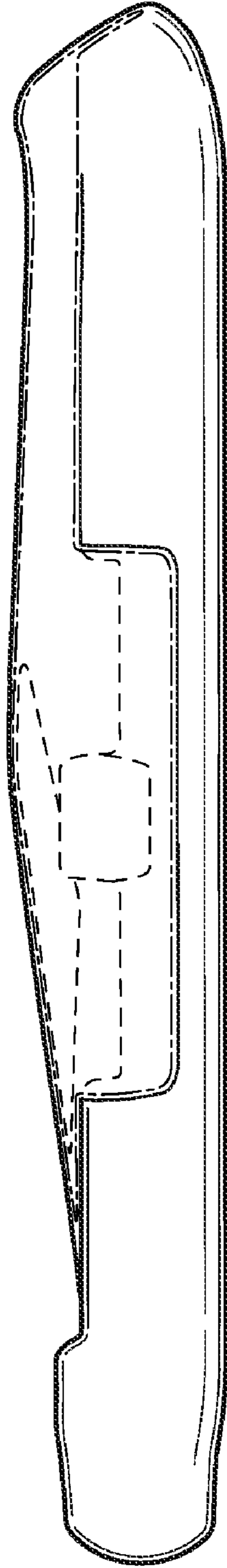


FIG. 5



FIG. 6

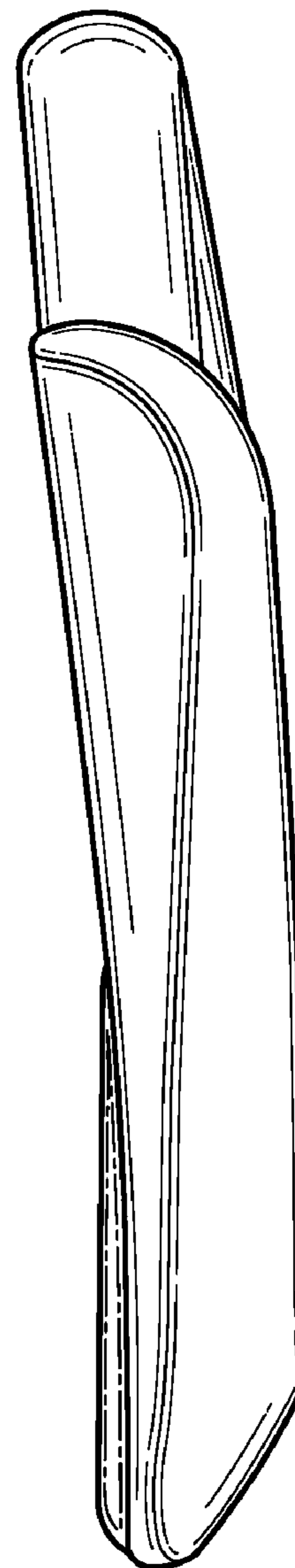


FIG. 7

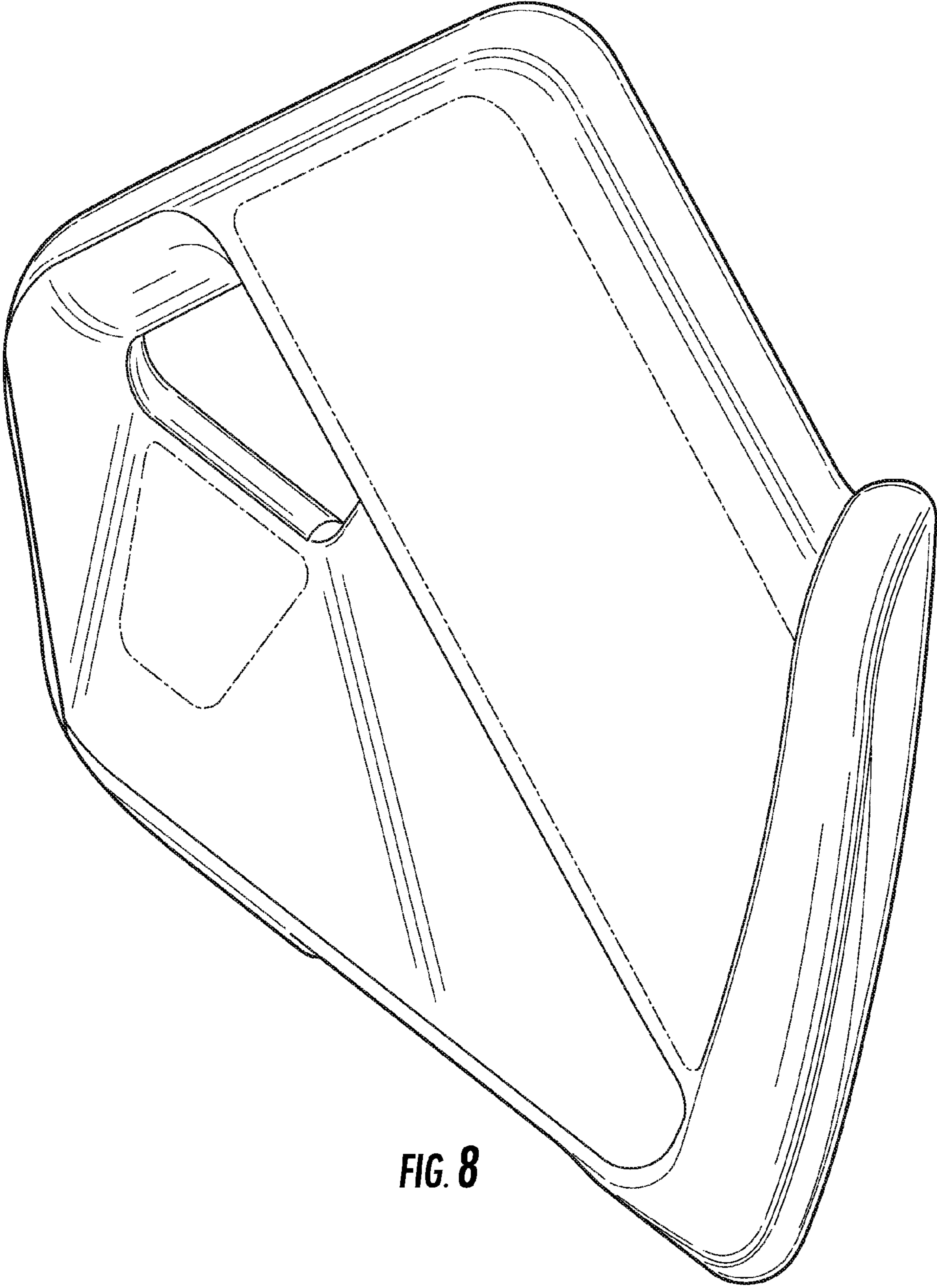


FIG. 8

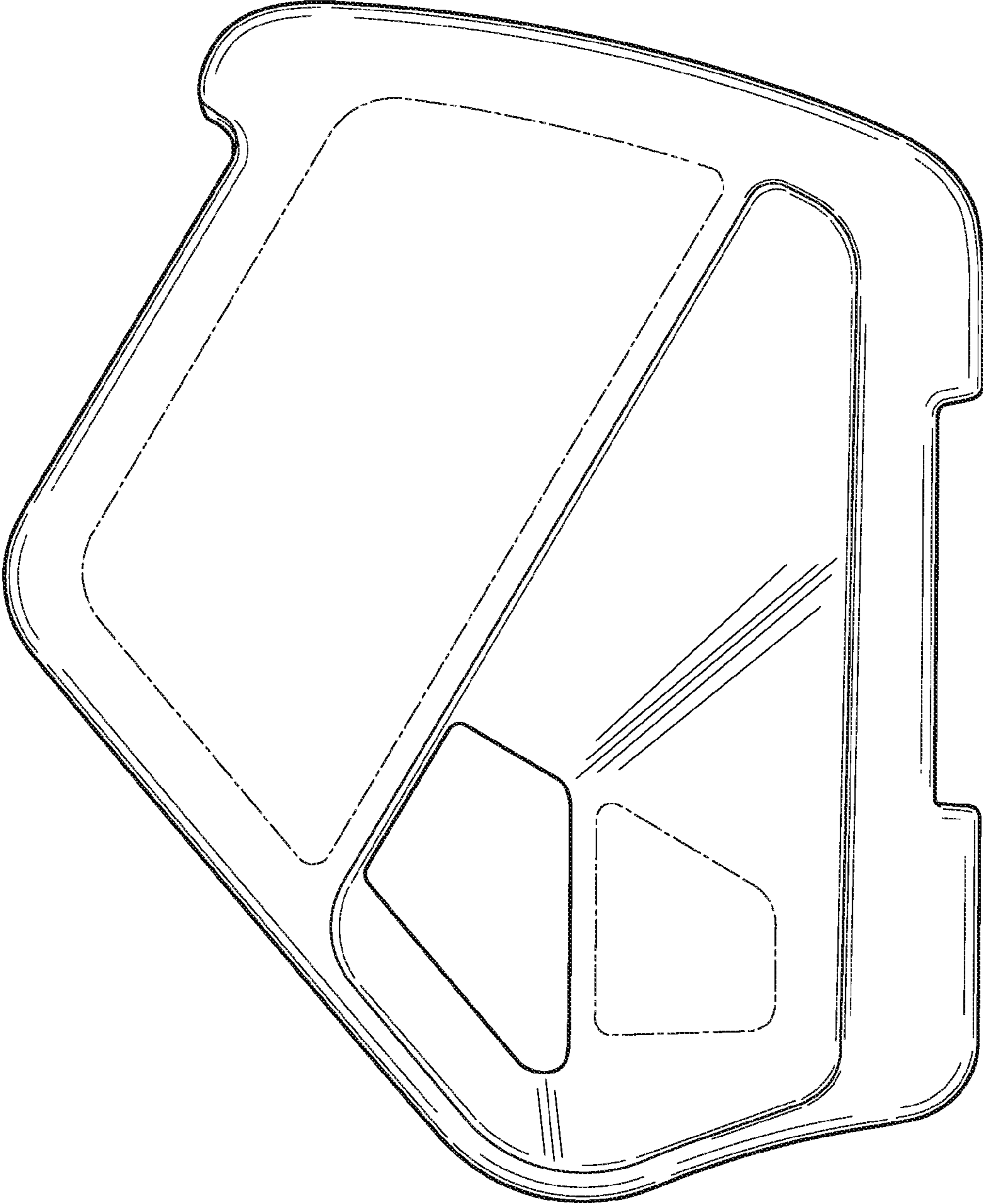


FIG. 9

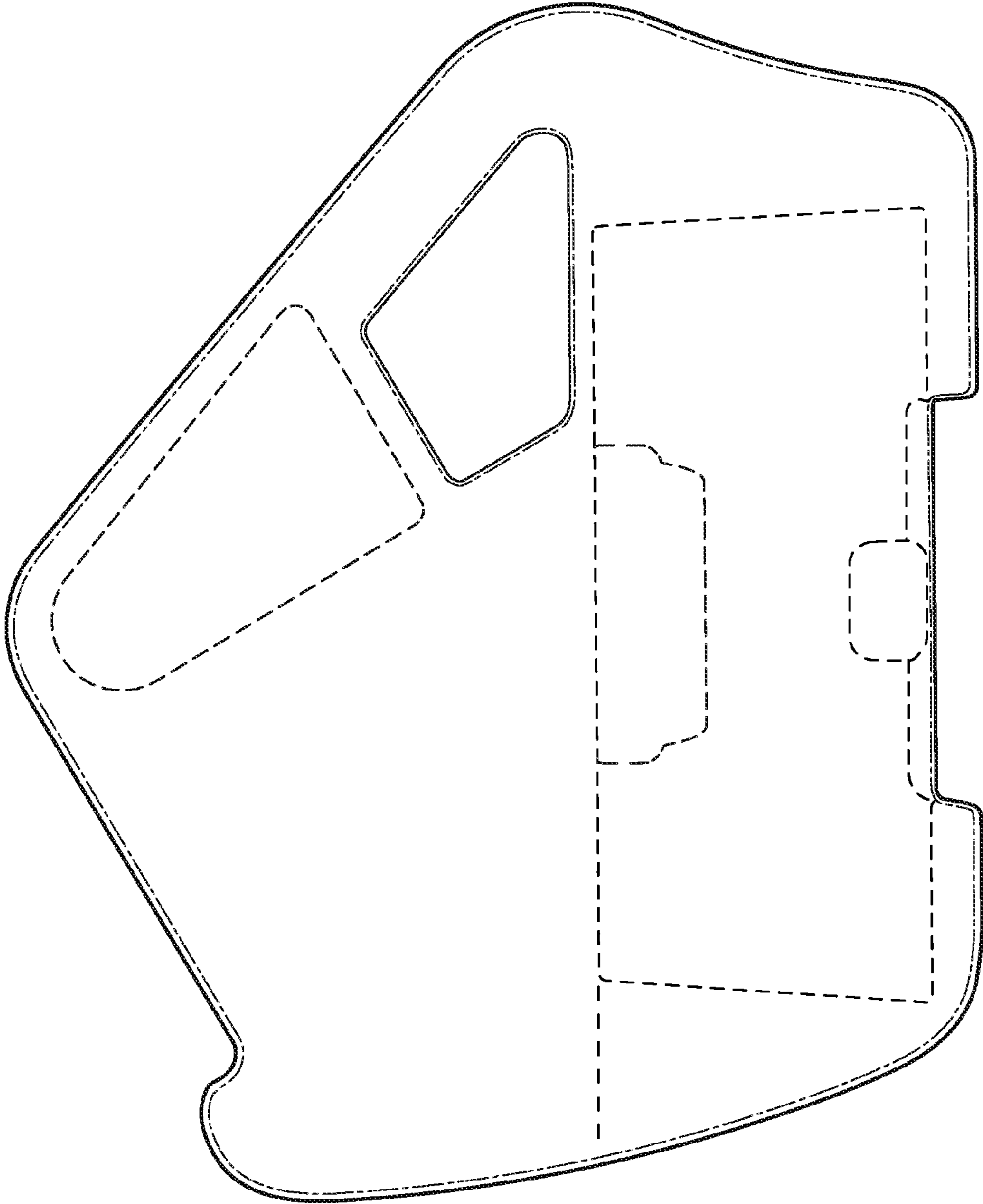


FIG. 10

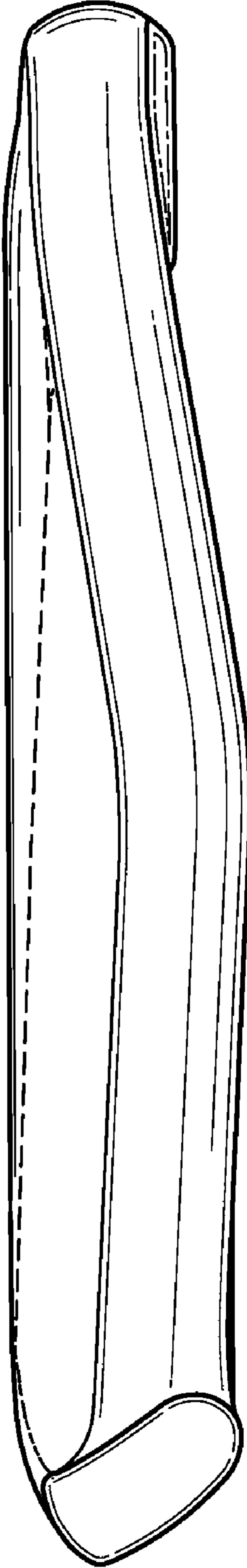


FIG. 11

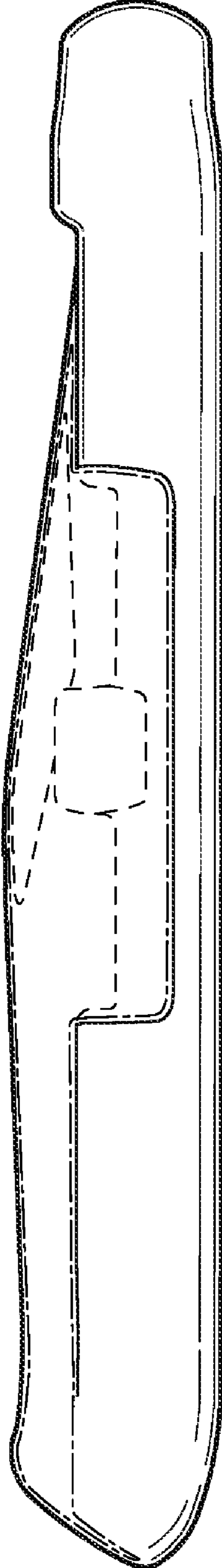


FIG. 12



FIG. 13

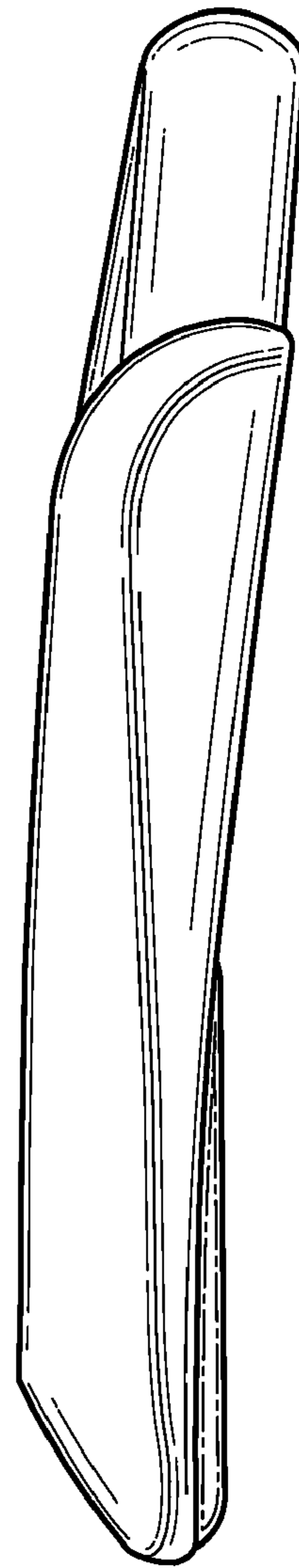


FIG. 14