



US00D668084S

(12) **United States Design Patent**
Lehman-Smith

(10) **Patent No.:** **US D668,084 S**

(45) **Date of Patent:** **** Oct. 2, 2012**

(54) **TABLE BASE**

(75) Inventor: **Debra Lehman-Smith**, Washington, DC (US)

(73) Assignee: **Knoll, Inc.**, East Greenville, PA (US)

(**) Term: **14 Years**

(21) Appl. No.: **29/393,731**

(22) Filed: **Jun. 8, 2011**

(51) **LOC (9) Cl.** **06-06**

(52) **U.S. Cl.** **D6/495**

(58) **Field of Classification Search** D6/480-489,
D6/495-499, 429, 349; 108/150, 153.1,
108/156, 157, 161; 248/188, 118.1, 188.5,
248/188.7, 188.8

See application file for complete search history.

(56) **References Cited**

U.S. PATENT DOCUMENTS

- D218,903 S * 10/1970 Chichester, Jr. D6/484
- D273,448 S * 4/1984 Colquhoun D6/485
- D349,825 S * 8/1994 Starck D6/484

- D487,654 S * 3/2004 Molteni D6/484
- D522,279 S * 6/2006 Hansbæk D6/484
- D590,185 S * 4/2009 Karashima D6/484

* cited by examiner

Primary Examiner — Janice Seeger

(74) *Attorney, Agent, or Firm* — Buchanan Ingersoll & Rooney PC

(57) **CLAIM**

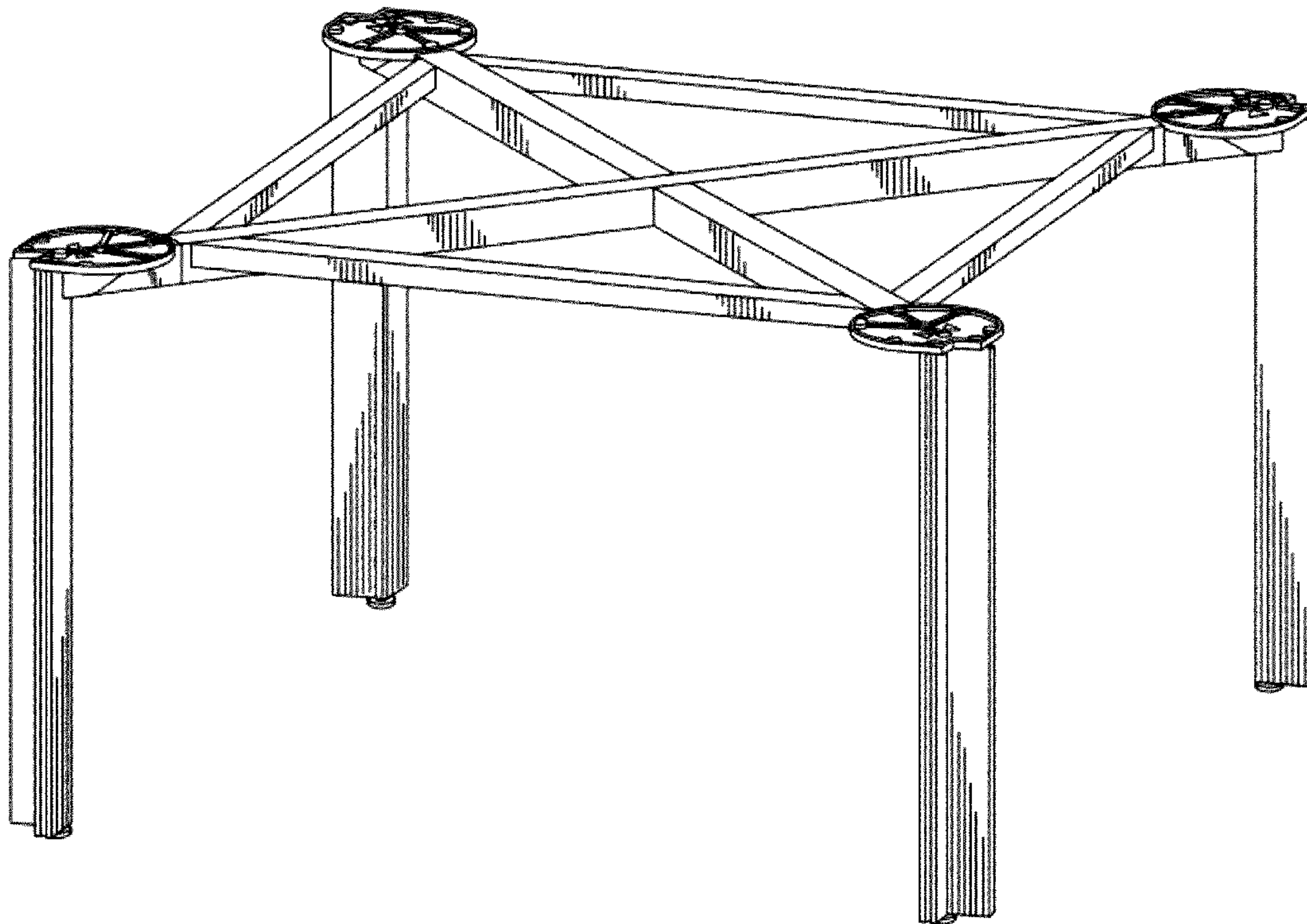
The ornamental design for a table base, as shown and described.

DESCRIPTION

FIG. 1 is a perspective view of a table base showing my new design;
FIG. 2 is a front elevational view thereof;
FIG. 3 is a rear elevational view thereof;
FIG. 4 is a right side elevational view thereof;
FIG. 5 is a left side elevational view thereof;
FIG. 6 is a top plan view thereof; and,
FIG. 7 is a perspective view to more fully illustrate the table base without a table top.

The phantom lines in FIGS. 1-6 are for illustrative purposes only to show a sample table top and form no part of the claimed design. The bottom of the table base is not a part of the claimed design.

1 Claim, 5 Drawing Sheets



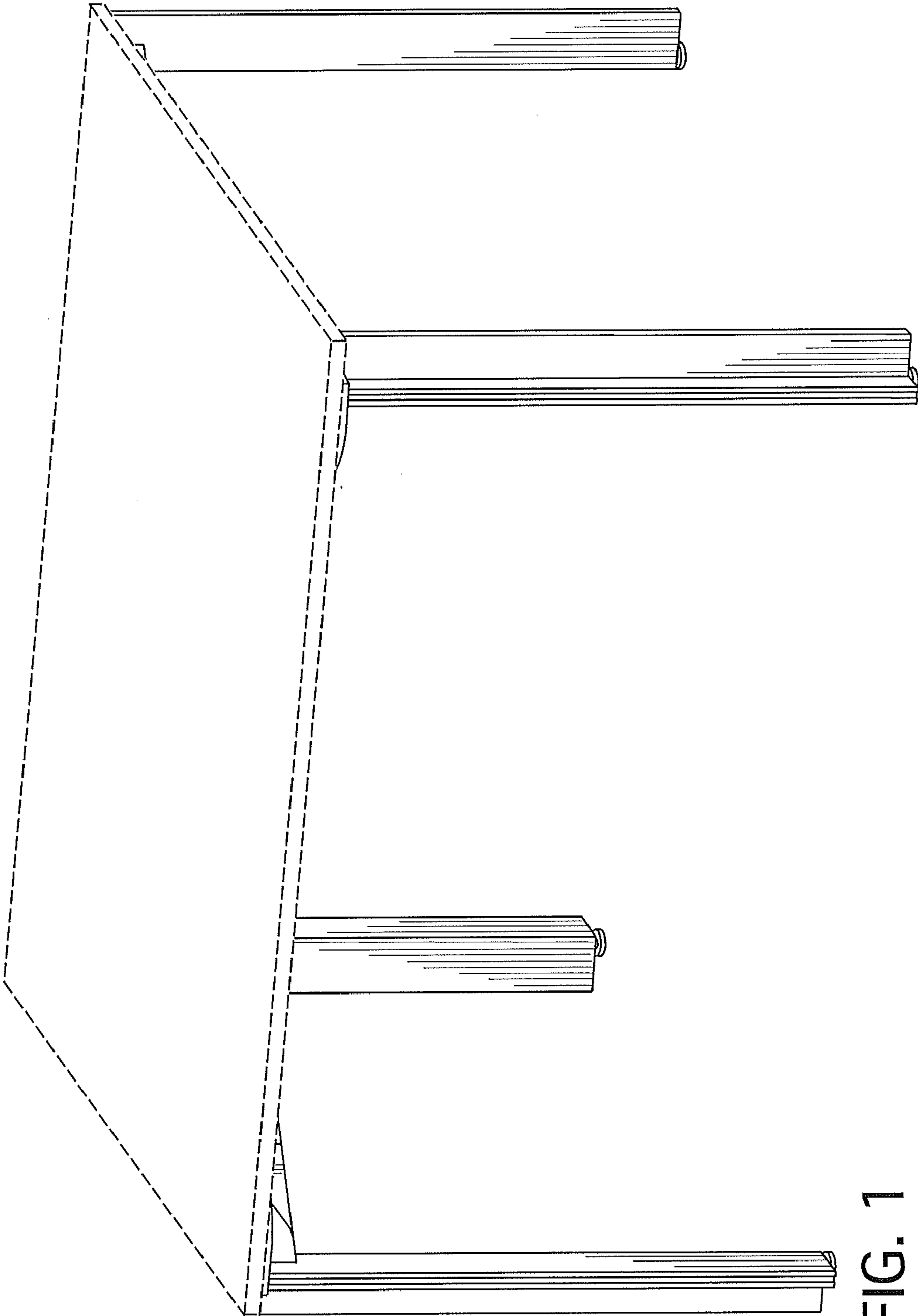


FIG. 1

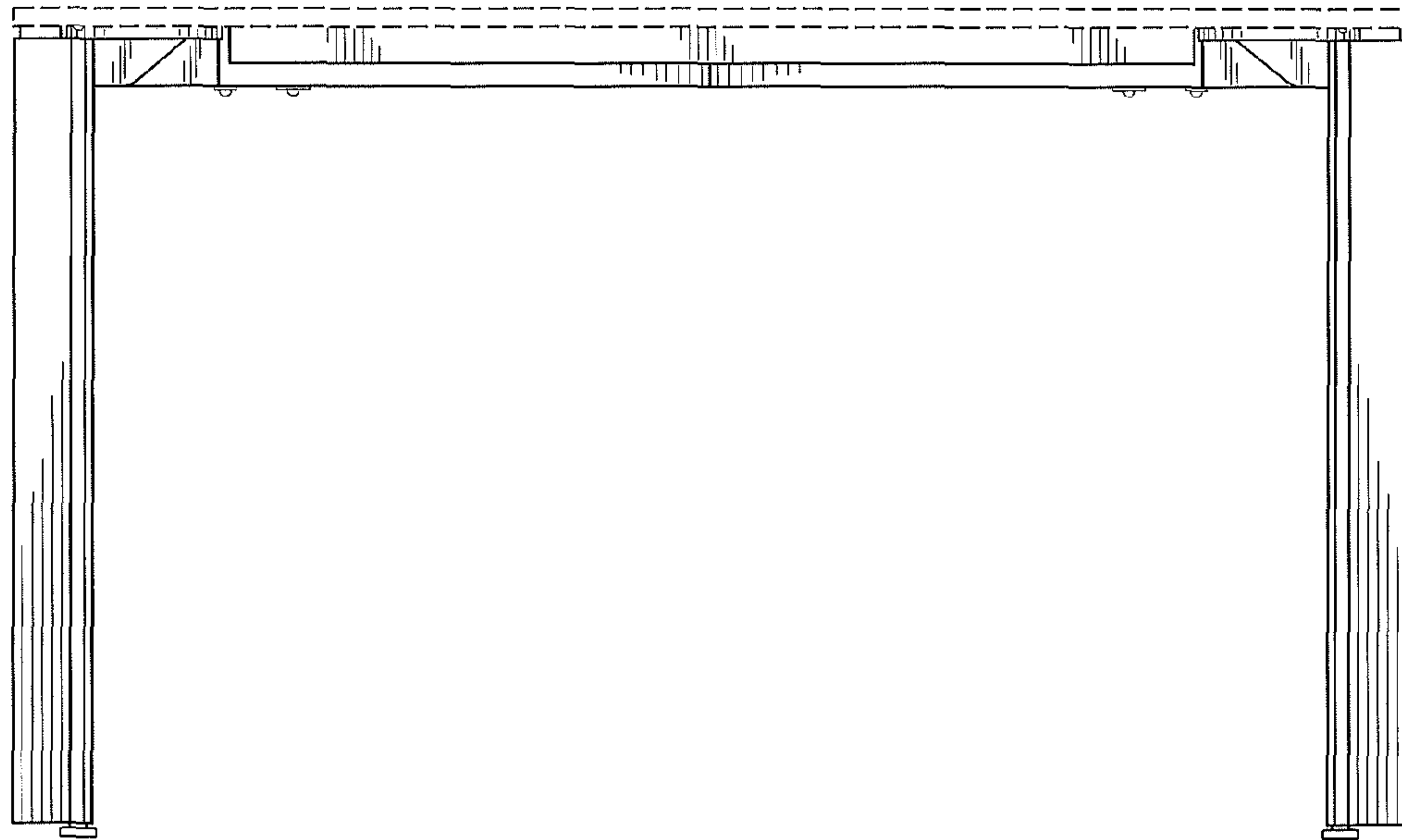


FIG. 2

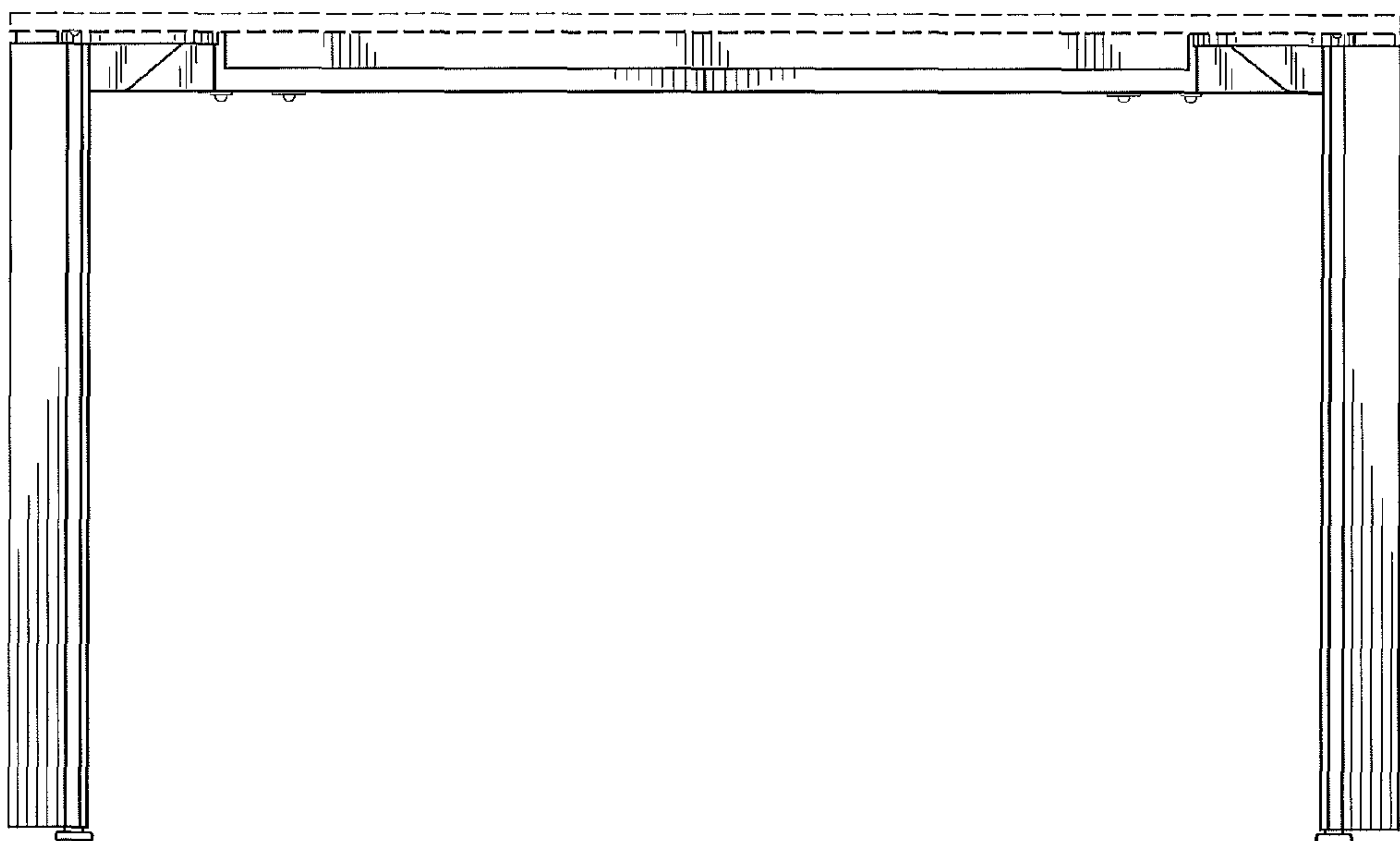


FIG. 3

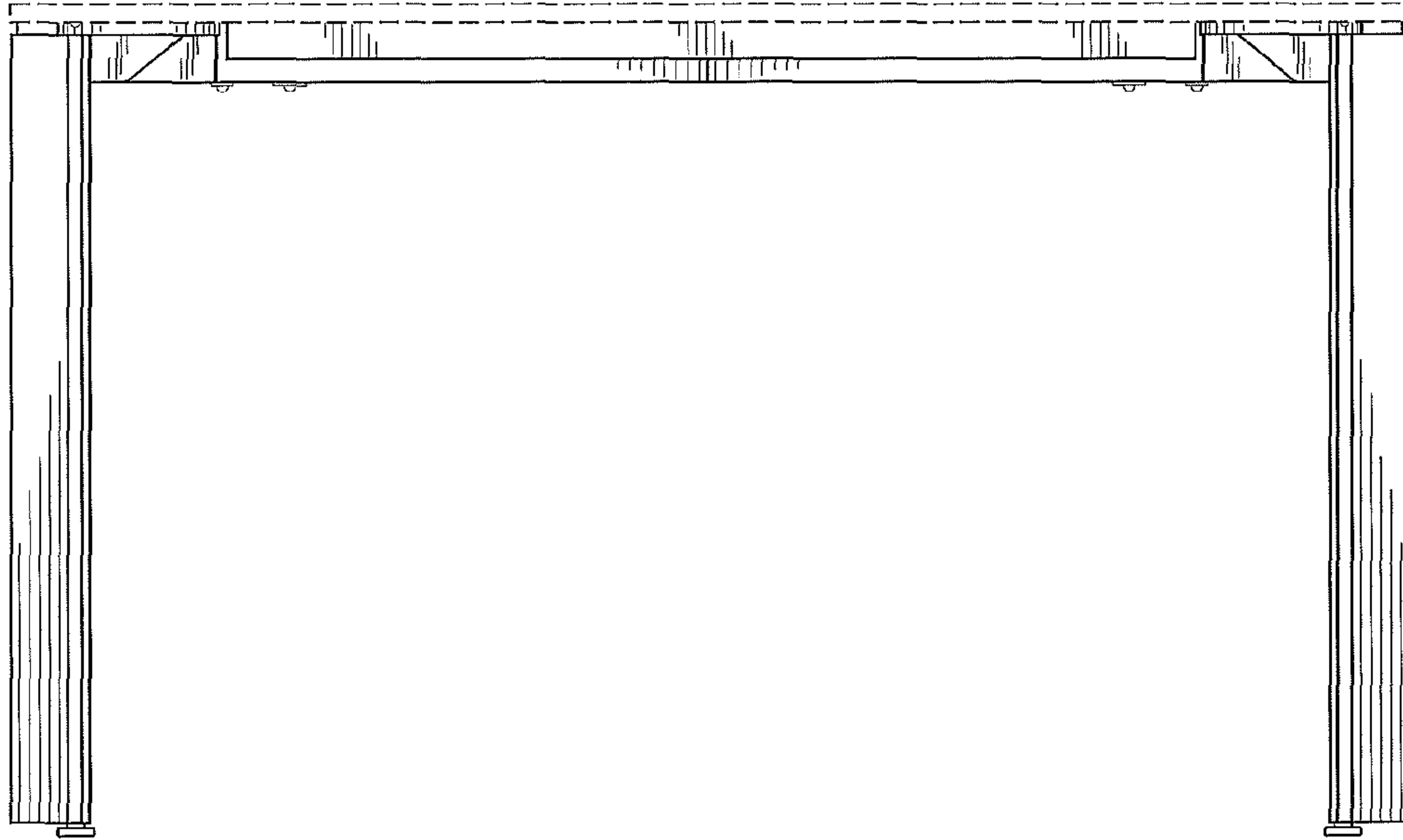


FIG. 4

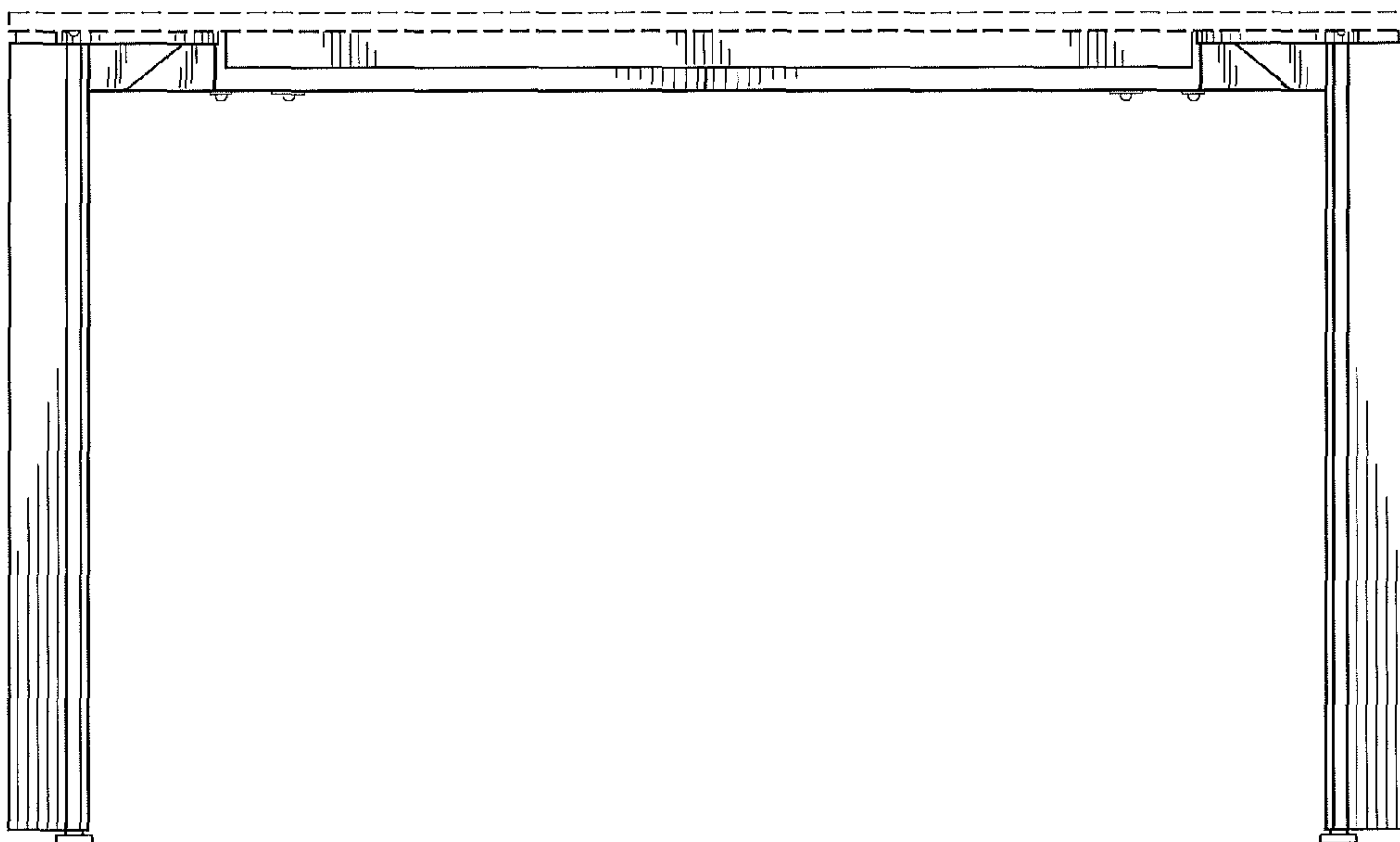


FIG. 5

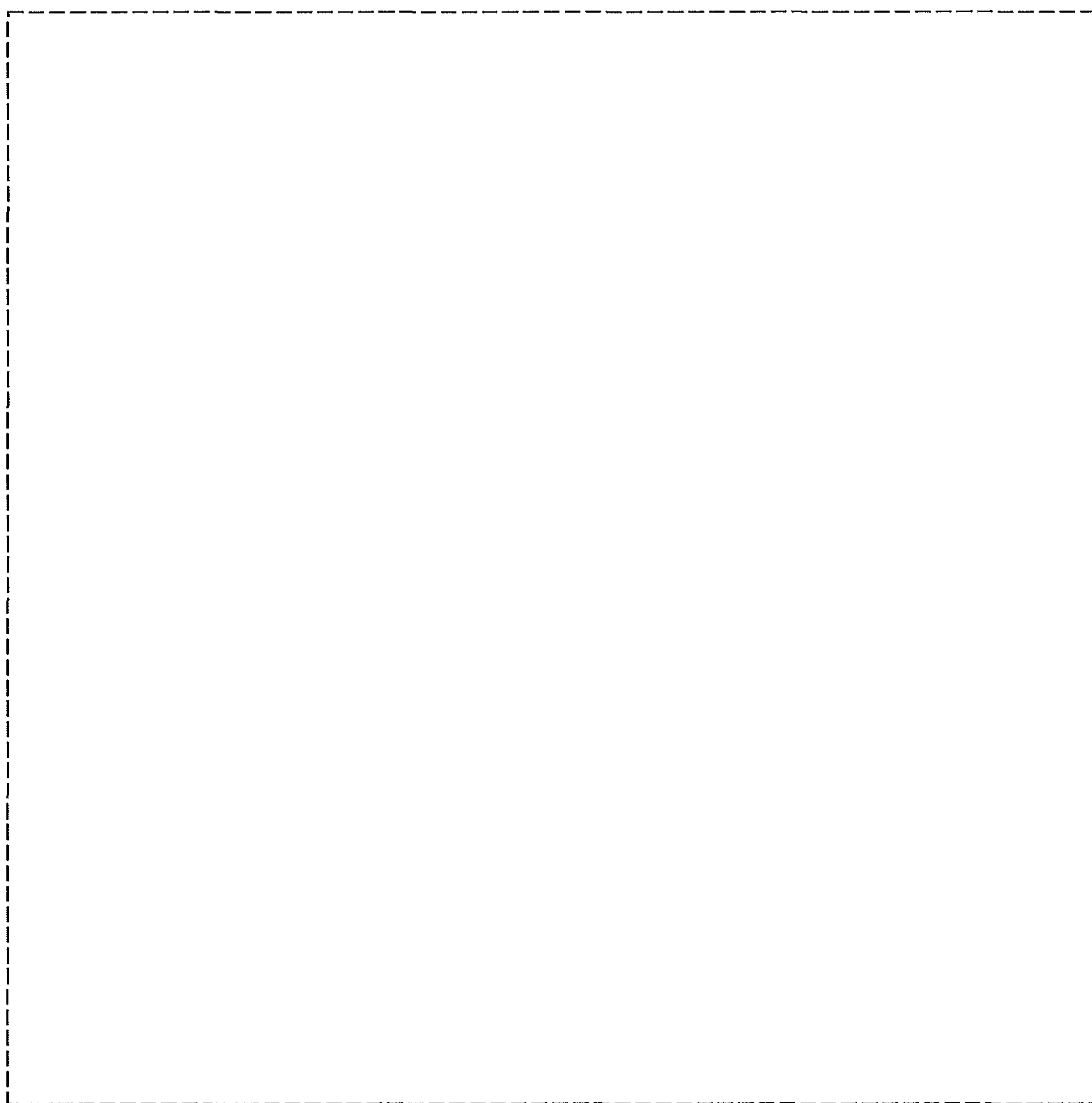


FIG. 6

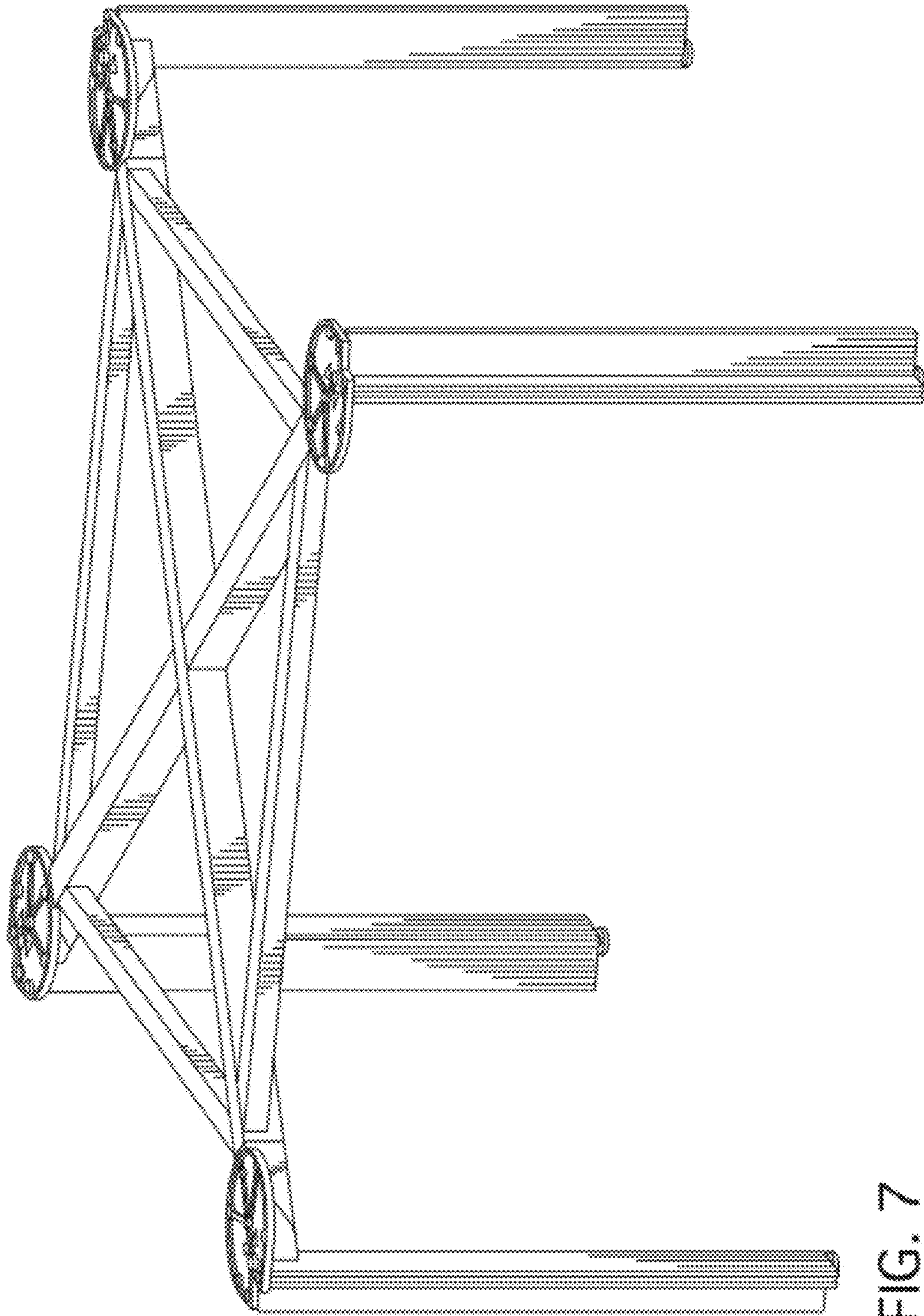


FIG. 7