



US00D668082S

(12) **United States Design Patent**
Puksta

(10) **Patent No.:** **US D668,082 S**
(45) **Date of Patent:** **** Oct. 2, 2012**

(54) **CABINET PANEL DETAIL**

DESCRIPTION

- (75) Inventor: **Frederick P. Puksta**, Keene, NH (US)
 - (73) Assignee: **Crown Point Cabinetry Corp.** NH (US)
 - (**) Term: **14 Years**
 - (21) Appl. No.: **29/385,556**
 - (22) Filed: **Feb. 16, 2011**
 - (51) **LOC (9) Cl.** **06-06**
 - (52) **U.S. Cl.** **D6/492**
 - (58) **Field of Classification Search** D6/300,
D6/309, 396, 436-439, 444-448, 460-468,
D6/474-479, 491-495, 509, 559, 561; D25/103;
312/194, 198, 204-209, 224-234, 242, 245;
428/38
- See application file for complete search history.

(56) **References Cited**

U.S. PATENT DOCUMENTS

224,831	A	*	2/1880	La Farge	428/38
D415,291	S	*	10/1999	Woodruff	D25/103
D436,481	S	*	1/2001	Harwanko	D6/559
D436,485	S	*	1/2001	Harwanko	D6/561
D477,938	S	*	8/2003	Brandon	D6/494
D609,507	S	*	2/2010	Puksta	D6/509
D609,508	S	*	2/2010	Puksta	D6/509
D621,642	S	*	8/2010	Puksta	D6/509
D621,643	S	*	8/2010	Puksta	D6/509
D631,266	S	*	1/2011	Puksta	D6/509
D631,267	S	*	1/2011	Puksta	D6/509
D632,905	S	*	2/2011	Puksta	D6/509
D632,906	S	*	2/2011	Puksta	D6/509

* cited by examiner

Primary Examiner — Ricky Pham

(74) *Attorney, Agent, or Firm* — Michael J. Weins; Jeffrey E. Semprebon

(57) **CLAIM**

The ornamental design for a cabinet panel detail, as shown and described.

FIG. 1 is a perspective view showing a first embodiment of my new design incorporated into a floor cabinet, with the portions of the cabinet that form no part of the first embodiment of the claimed cabinet panel detail design being shown in broken lines.

FIG. 2 is a front elevation view of a door of the floor cabinet shown in FIG. 1 with the first embodiment incorporated therein, with the portions of the door that form no part of the claimed design being shown in broken lines.

FIG. 3 is a view of the section 3-3 of FIG. 2.

FIG. 4 is a view of the section 4-4 of FIG. 2. The right side, left side, and back elevation views and the top and bottom views are not visible when the floor cabinet is in use and do not form a part of the claimed design.

FIG. 5 is a perspective view showing a second embodiment of the design which is a mirror image of the first embodiment, it being understood that all other surfaces are mirror images of the corresponding surfaces of the first embodiment. The second embodiment is shown incorporated into a floor cabinet, with the portions of the cabinet that form no part of the second embodiment of the claimed cabinet panel detail design being shown in broken lines.

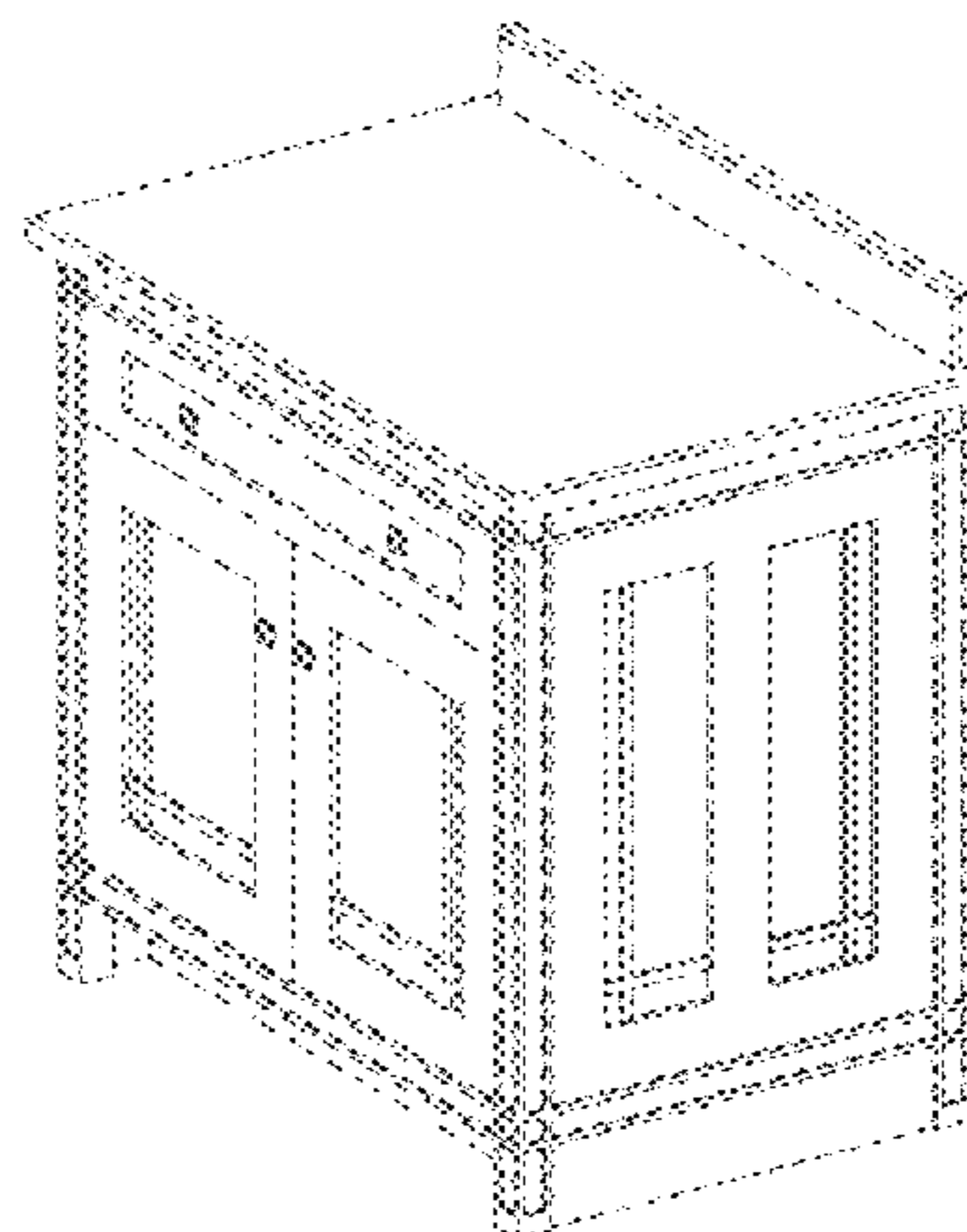
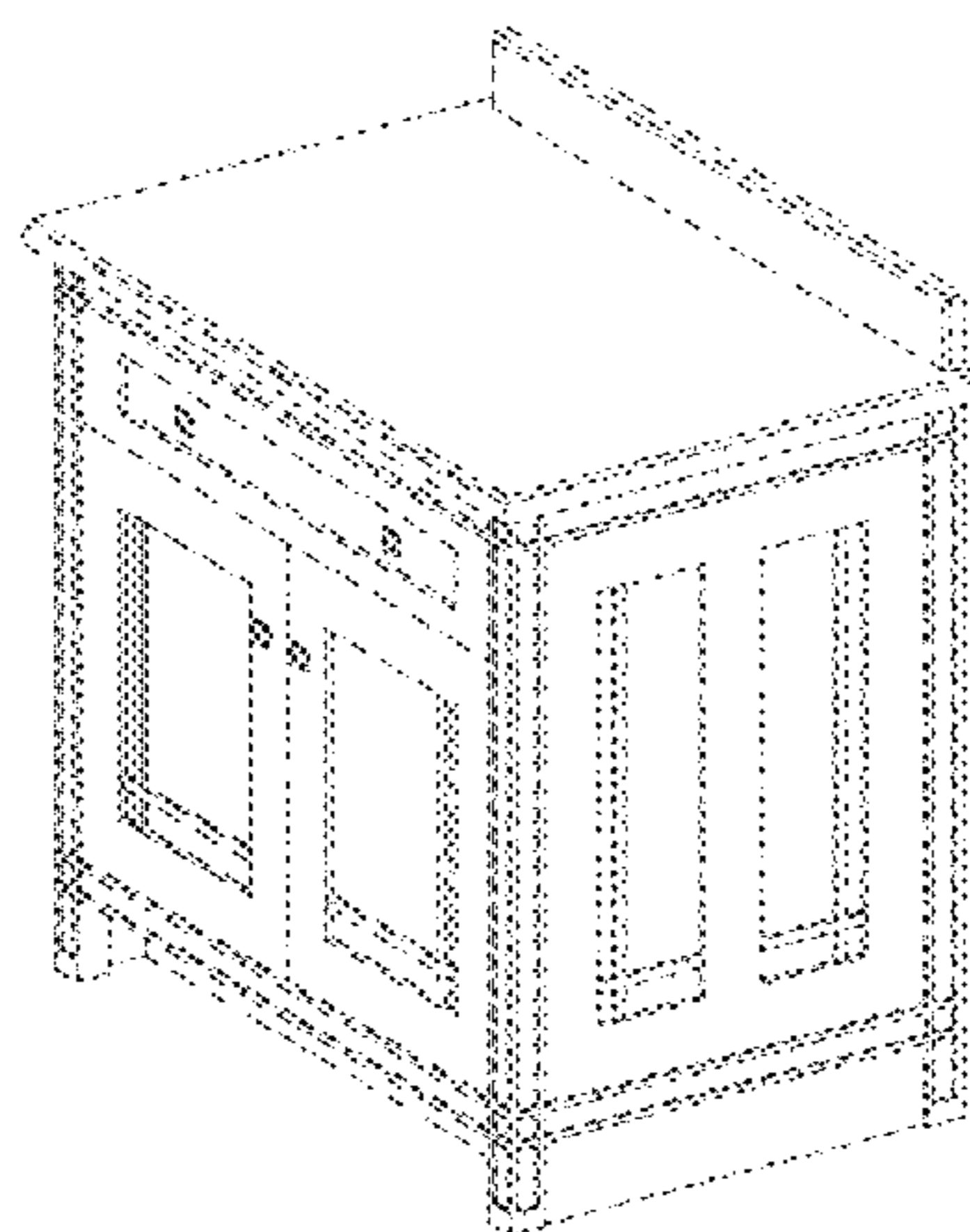
FIG. 6 is a perspective view showing a third embodiment of my new design incorporated into a floor cabinet, with the portions of the cabinet that form no part of the third embodiment of the claimed cabinet panel detail design being shown in broken lines.

FIG. 7 is a right side elevation view of a side panel of the floor cabinet shown in FIG. 6 with the second embodiment of the design incorporated therein, with the portions of the cabinet that form no part of the claimed design being shown in broken lines.

FIG. 8 is a view of the section 8-8 of FIG. 7.

FIG. 9 is a view of the section 9-9 of FIG. 7. The left side, front and back elevation views and the top and bottom views are not visible when the floor cabinet is in use and do not form a part of the claimed design.

FIG. 10 is a perspective view showing a fourth embodiment of the design which is a mirror image of the third embodiment, it being understood that all other surfaces are mirror images of the corresponding surfaces of the third embodiment. The fourth embodiment is shown incorporated into a floor cabinet,



with the portions of the cabinet that form no part of this embodiment of the claimed cabinet panel detail design being shown in broken lines.

FIG. 11 is a perspective view showing a fifth embodiment of my new design incorporated into a door of a wall cabinet, with the portions of the cabinet that form no part of the fifth embodiment of the claimed cabinet panel detail design being shown in broken lines.

FIG. 12 is a front elevation view of the door shown in FIG. 11 with the fifth embodiment incorporated therein, with the portions of the door that form no part of the claimed design being shown in broken lines.

FIG. 13 is a view of the section 13-13 of FIG. 12.

FIG. 14 is a view of the section 14-14 of FIG. 12.

FIG. 15 is a back elevation view of the door shown in FIG. 12, again with the portions of the door that form no part of the claimed design being shown in broken lines.

FIG. 16 is a view of the partial section 16-16 of FIG. 12. The right side, left side, top, and bottom views are not visible when the wall cabinet is in use and do not form a part of the claimed design.

FIG. 17 is a perspective view showing a sixth embodiment of my new design which is a mirror image of the fifth embodiment, it being understood that all other surfaces not shown are mirror images of the corresponding surfaces of the fifth embodiment. The sixth embodiment is shown incorporated into a wall cabinet, with the portions of the cabinet that form no part of this embodiment of the claimed cabinet panel detail design being shown in broken lines.

FIG. 18 is a front elevation view showing a seventh embodiment of my new design incorporated into a cabinet door, with the portions of the cabinet door that form no part of the claimed design being shown in broken lines. This embodiment includes portions formed from a transparent material, as shown in the rear elevation view of FIG. 21.

FIG. 19 is a view of the section 19-19 of FIG. 18.

FIG. 20 is a view of the section 20-20 of FIG. 18.

FIG. 21 is a back elevation view of the door shown in FIG. 18 with the seventh embodiment incorporated therein, with the portions of the door that form no part of the claimed design again being shown in broken lines.

FIG. 22 is a view of the partial section 22-22 of FIG. 18. The right side, left side, top, and bottom views are not visible when the cabinet door is in use and do not form a part of the claimed design.

FIG. 23 is a front elevation view showing an eighth embodiment of my new design incorporated into a cabinet door, with the portions of the cabinet door that form no part of the claimed design being shown in broken lines. This embodiment includes a non-transparent material, as shown in the rear elevation view of FIG. 26.

FIG. 24 is a view of the section 24-24 of FIG. 23.

FIG. 25 is a view of the section 25-25 of FIG. 23.

FIG. 26 is a back elevation view of the door shown in FIG. 23 with the eighth embodiment incorporated therein, with the portions of the door that form no part of the claimed design again being shown in broken lines.

FIG. 27 is a view of the partial section 26-26 of FIG. 23. The right side, left side, top, and bottom views are not visible when the cabinet door is in use and do not form a part of the claimed design.

FIG. 28 is a perspective view showing a ninth embodiment of my new design incorporated into a floor cabinet, with the portions of the cabinet that form no part of the ninth embodiment of the claimed cabinet panel detail design being shown in broken lines.

FIG. 29 is a front elevation view of a door of the floor cabinet shown in FIG. 28 with the ninth embodiment incorporated therein, with the portions of the door that form no part of the claimed design being shown in broken lines.

FIG. 30 is a view of the section 30-30 of FIG. 29.

FIG. 31 is a view of the section 31-31 of FIG. 29. The right side, left side, and back elevation views and the top and bottom views are not visible when the floor cabinet is in use and do not form a part of the claimed design.

FIG. 32 is a perspective view showing a tenth embodiment of the design which is a mirror image of the ninth embodiment, it being understood that all other surfaces are mirror images of the corresponding surfaces of the ninth embodiment. The tenth embodiment is shown incorporated into a floor cabinet, with the portions of the cabinet that form no part of the tenth embodiment of the claimed cabinet panel detail design being shown in broken lines.

FIG. 33 is a perspective view showing an eleventh embodiment of my new design incorporated into a floor cabinet, with the portions of the cabinet that form no part of the eleventh embodiment of the claimed cabinet panel detail design being shown in broken lines.

FIG. 34 is a right side elevation view of a side panel of the floor cabinet shown in FIG. 33 with the eleventh embodiment of the design incorporated therein, with the portions of the cabinet that form no part of the claimed design being shown in broken lines.

FIG. 35 is a view of the section 35-35 of FIG. 34.

FIG. 36 is a view of the section 36-36 of FIG. 34. The left side, front and back elevation views and the top and bottom views are not visible when the floor cabinet is in use and do not form a part of the claimed design; and,

FIG. 37 is a perspective view showing a twelfth embodiment of the design which is a mirror image of the eleventh embodiment, it being understood that all other surfaces are mirror images of the corresponding surfaces of the eleventh embodiment. The twelfth embodiment is shown incorporated into a floor cabinet, with the portions of the cabinet that form no part of this embodiment of the claimed cabinet panel detail design being shown in broken lines.

1 Claim, 17 Drawing Sheets

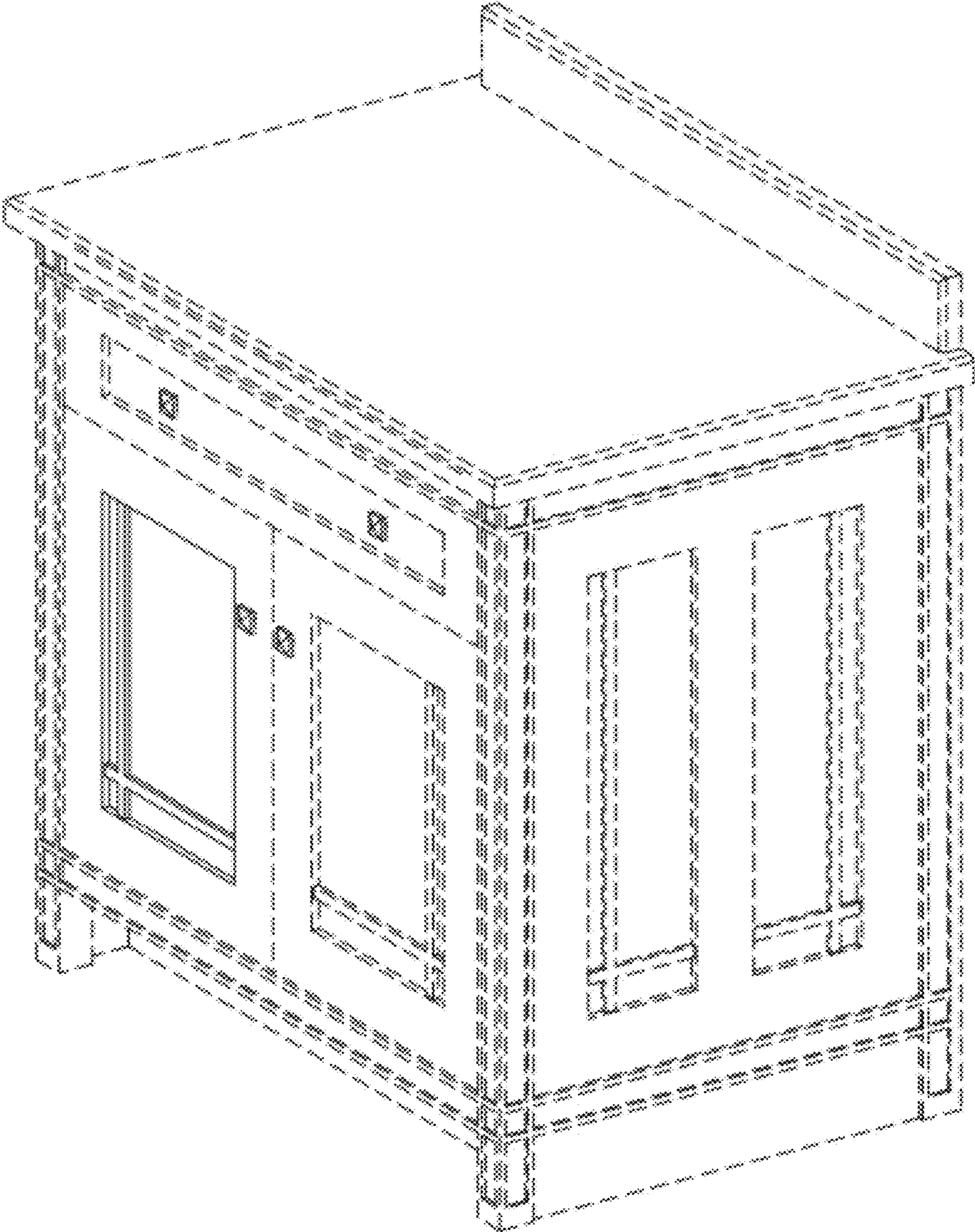


FIGURE 1

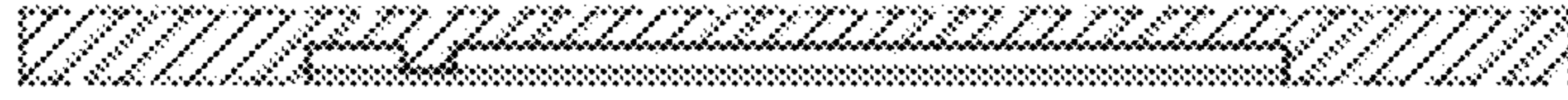


FIGURE 4

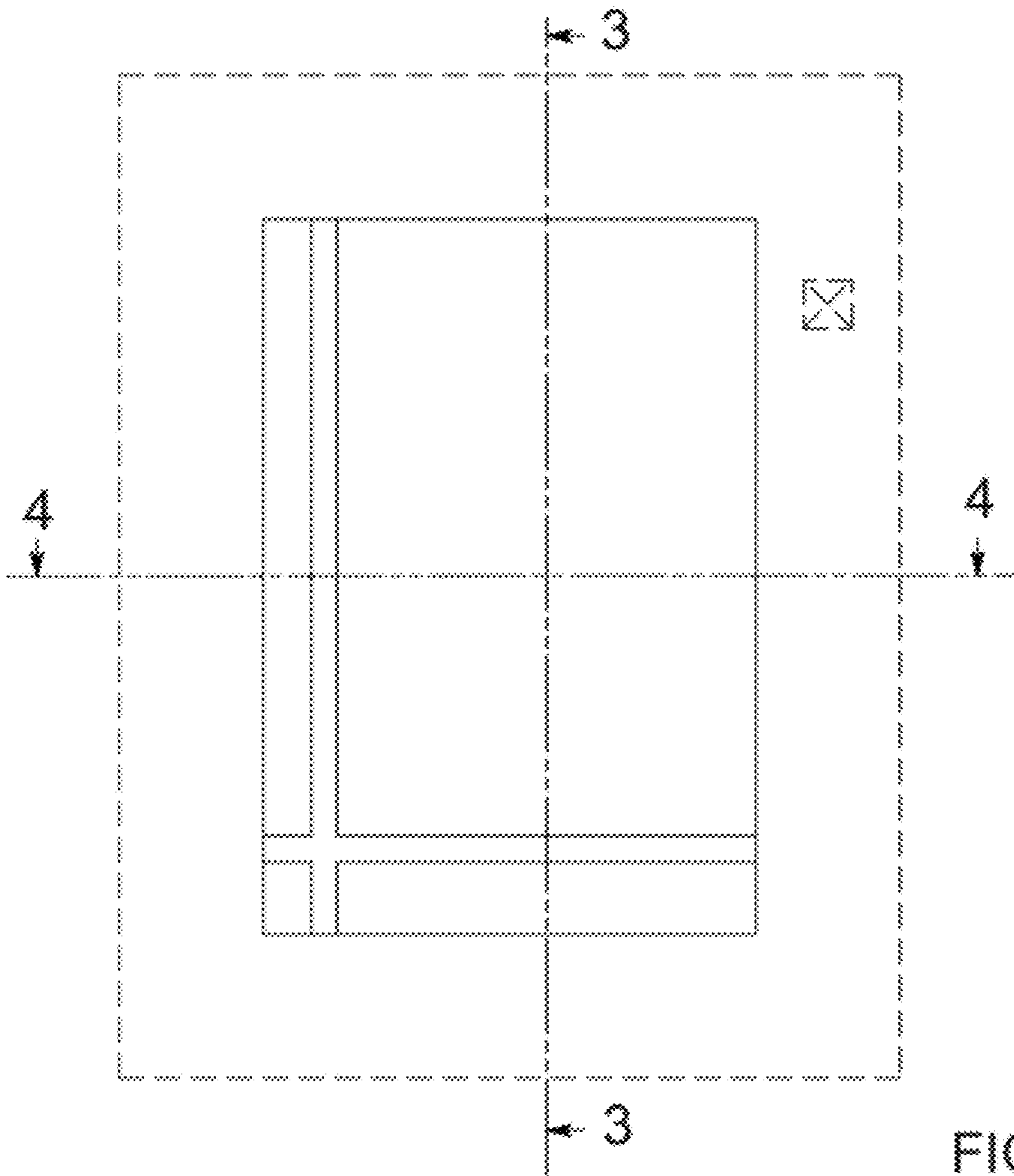


FIGURE 2



FIGURE 3

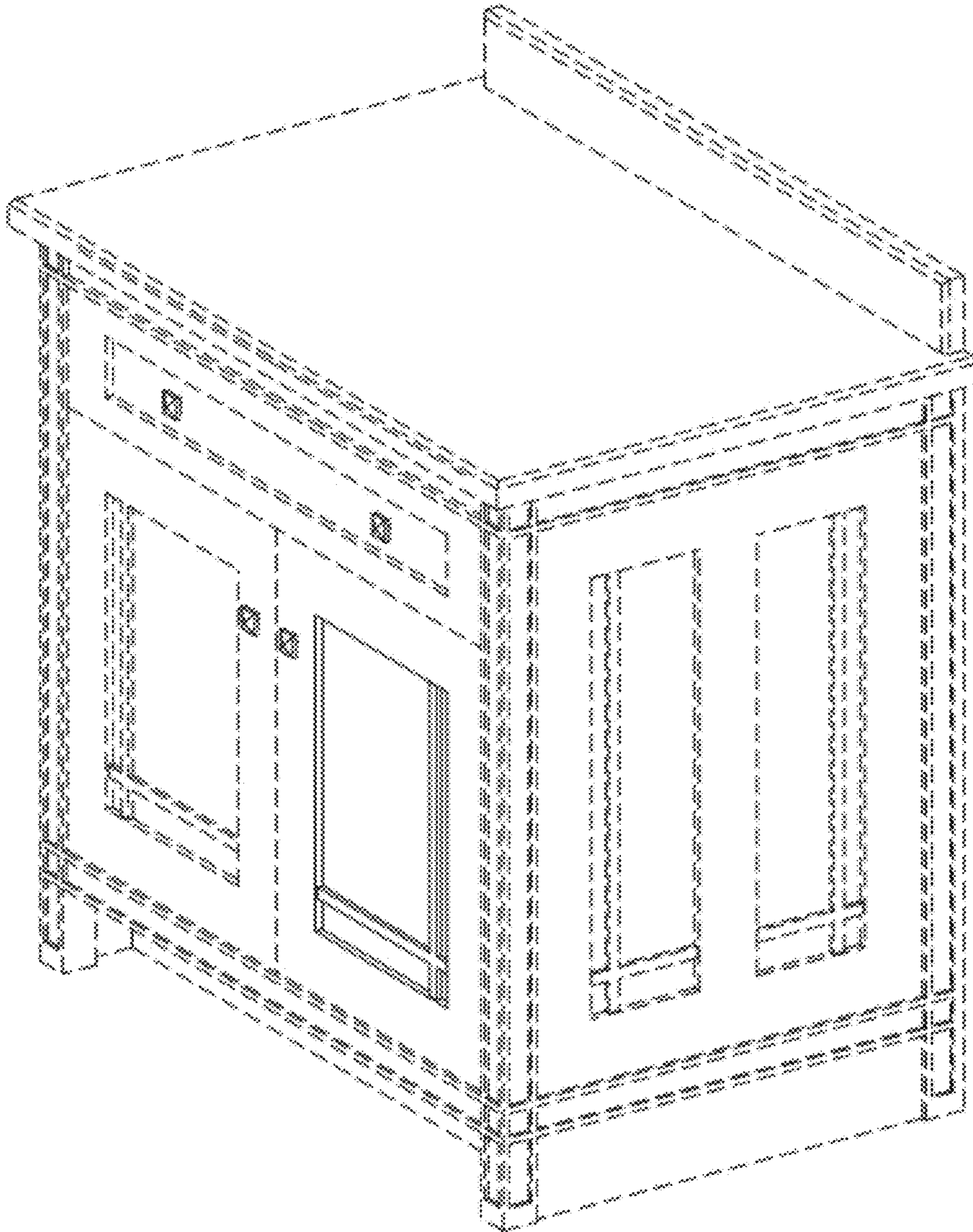


FIGURE 5

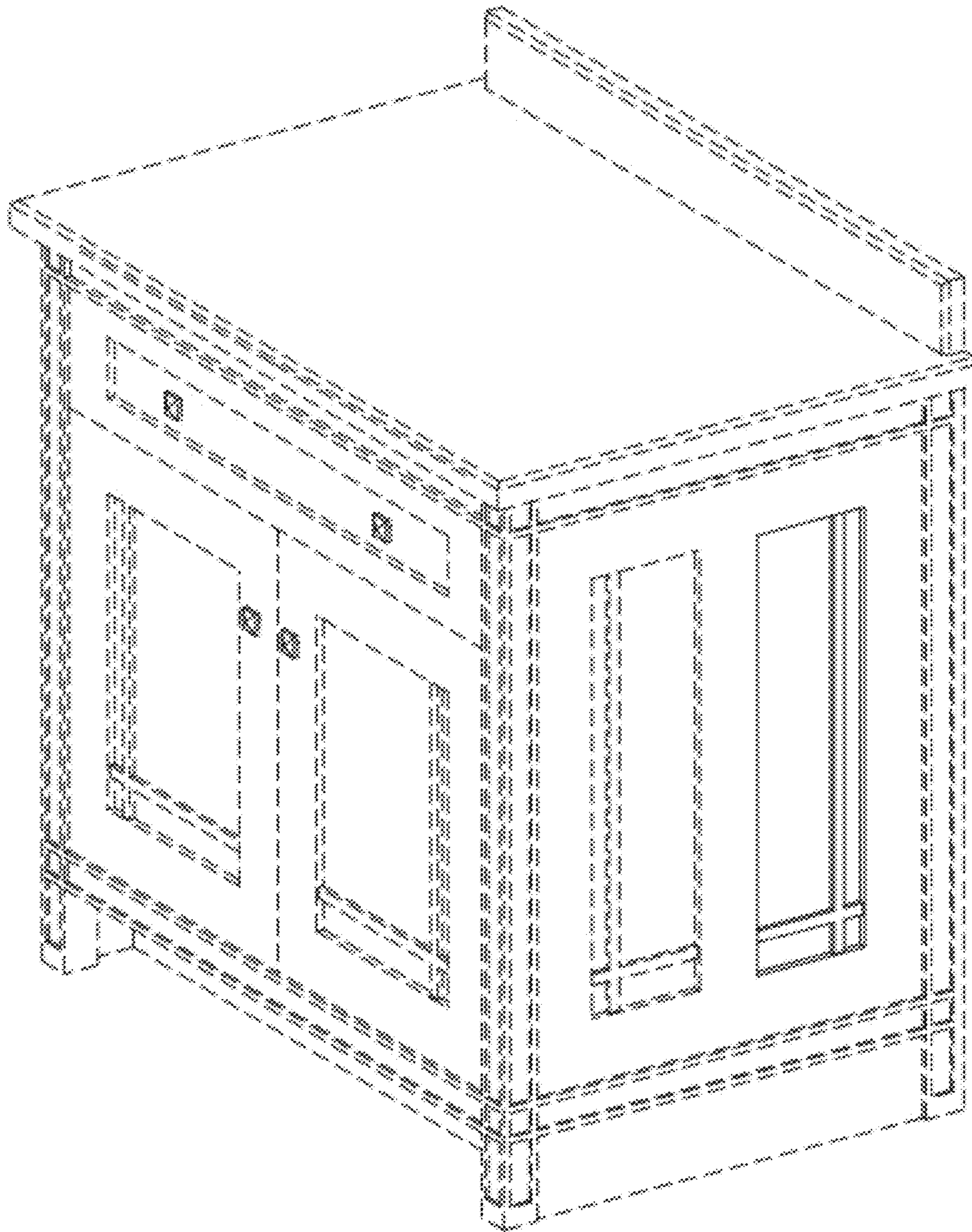


FIGURE 6



Figure 9

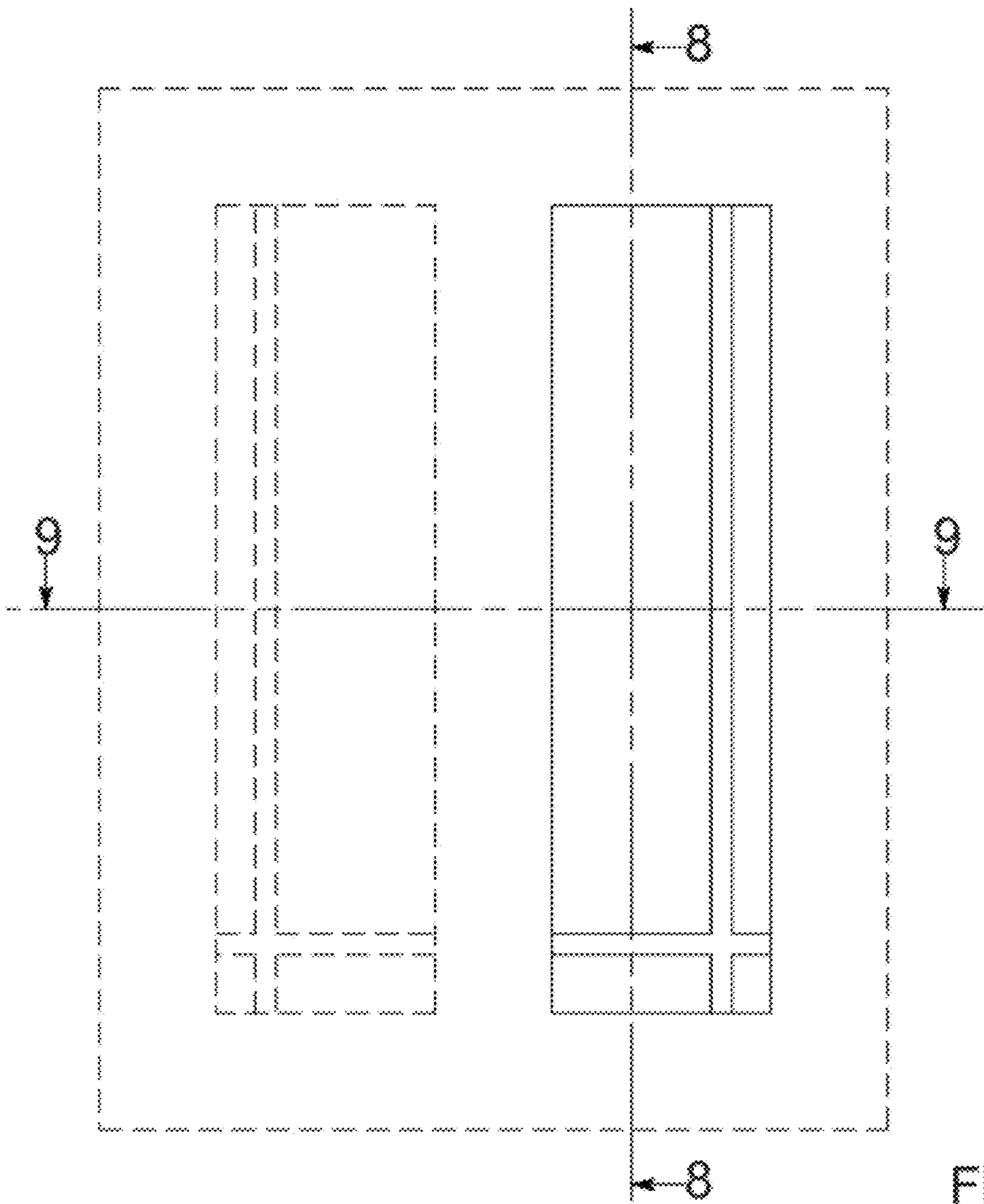


Figure 7



Figure 8

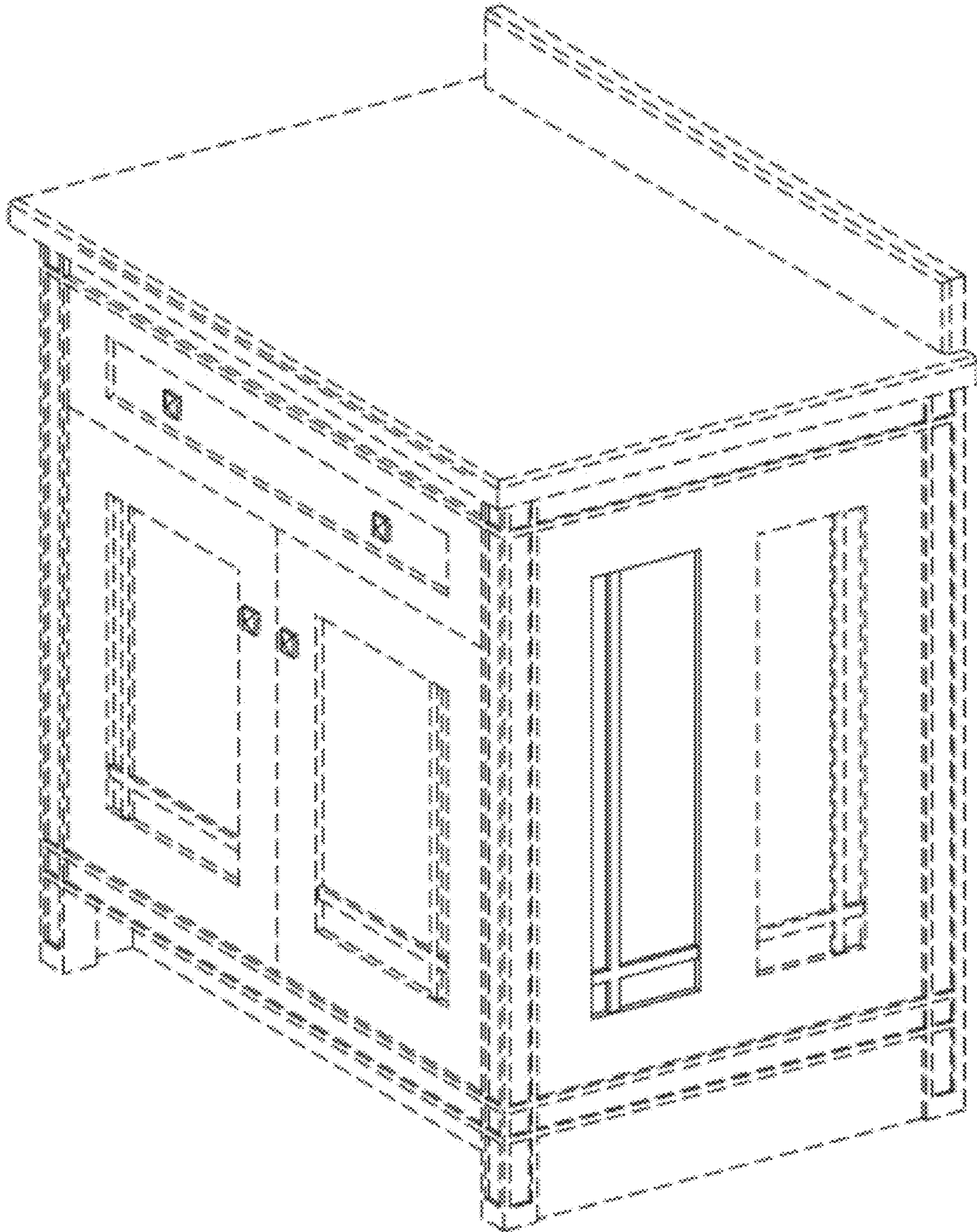


FIGURE 10

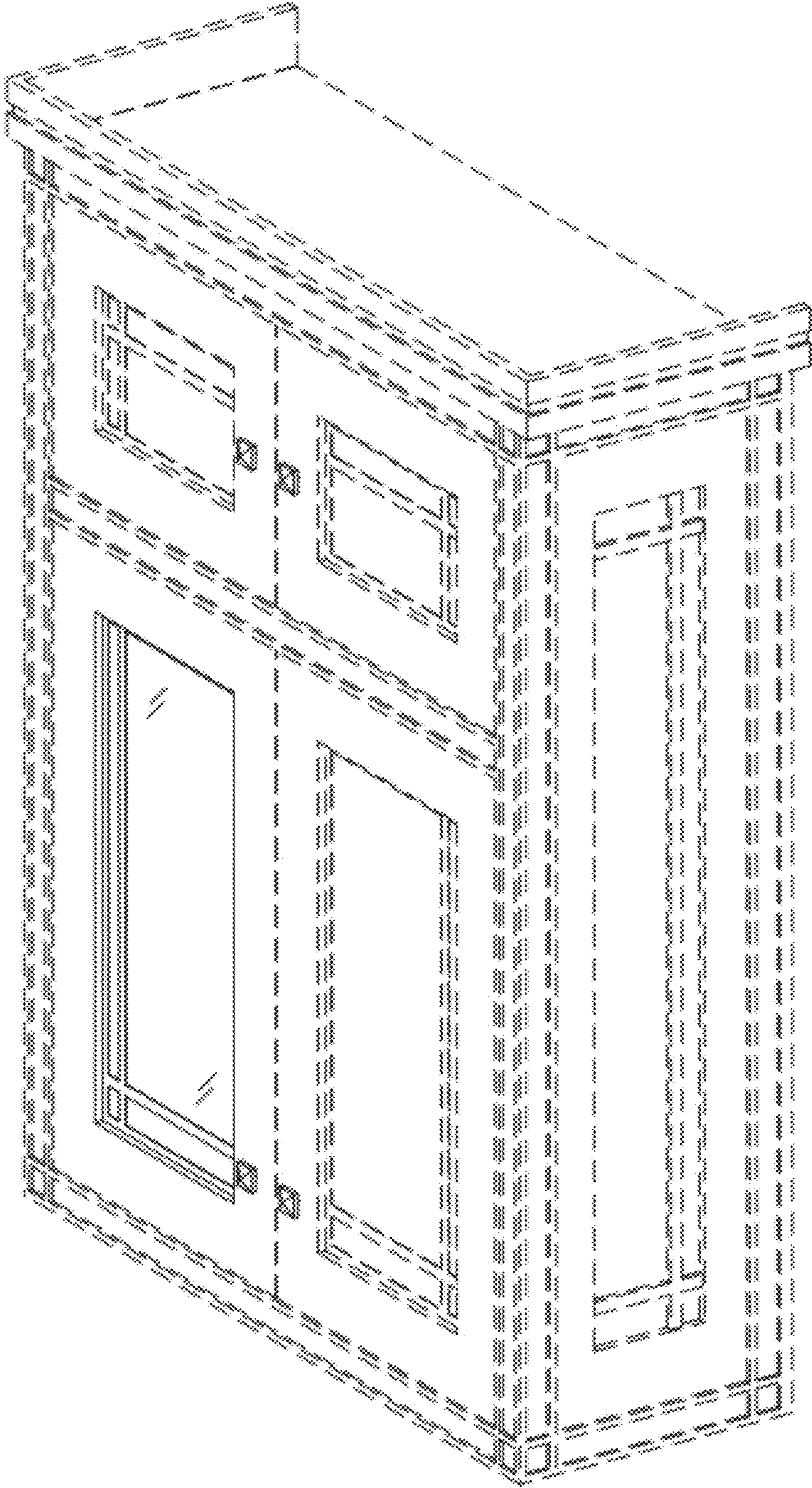


FIGURE 11

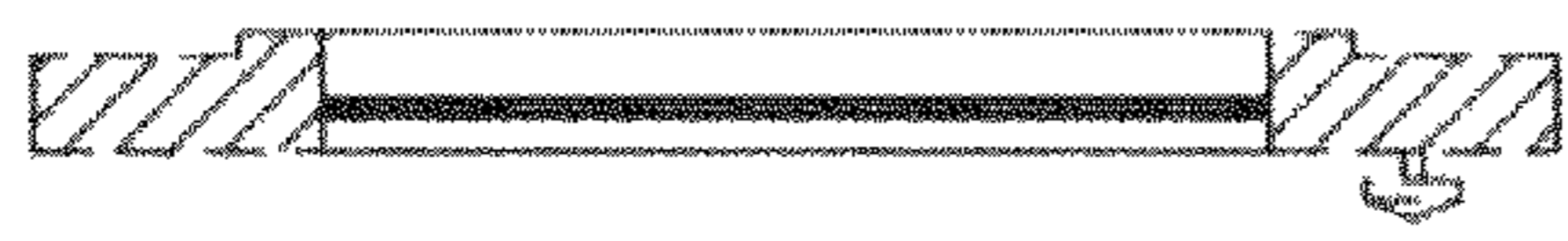


FIGURE 14

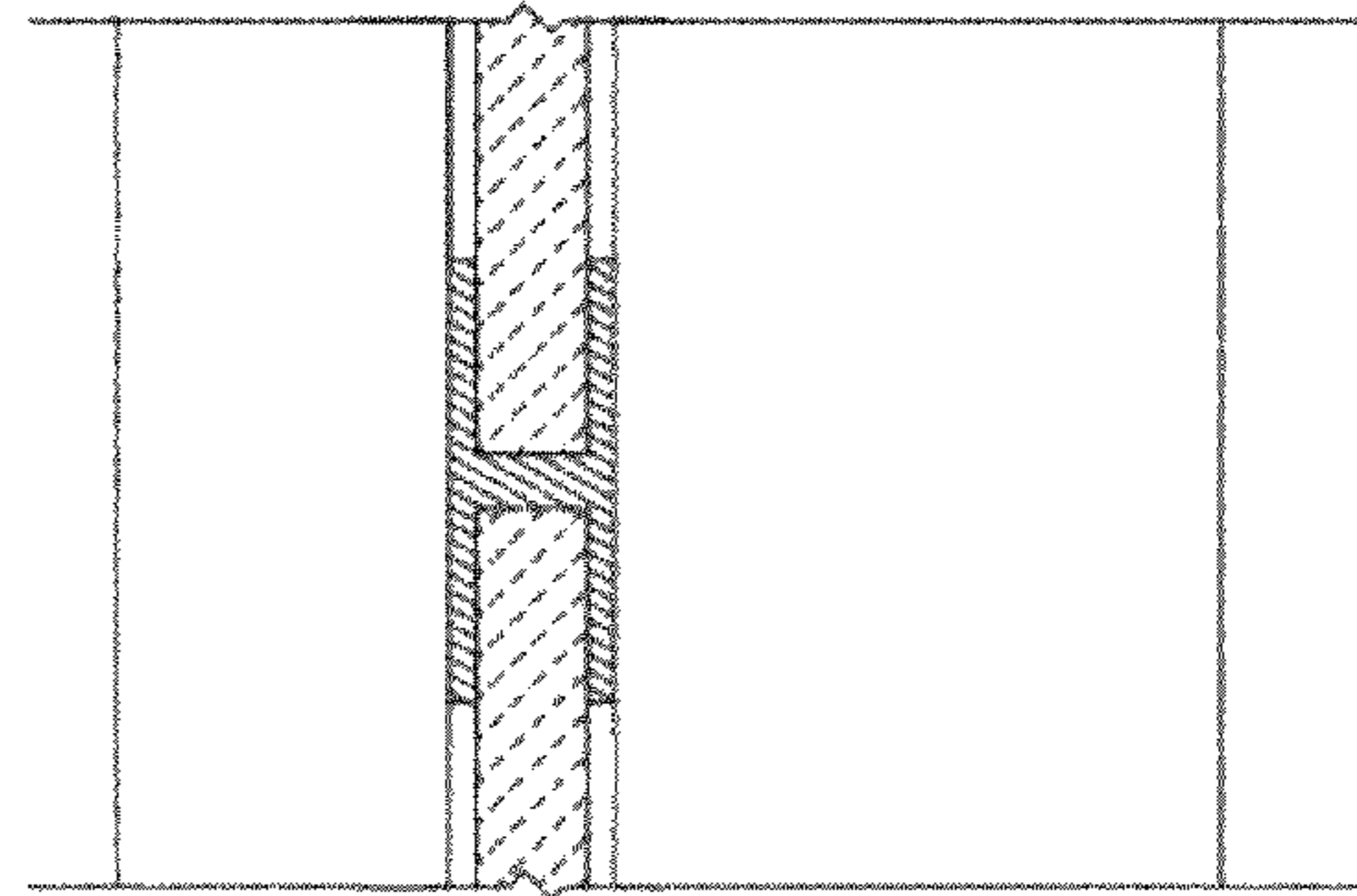


FIGURE 16

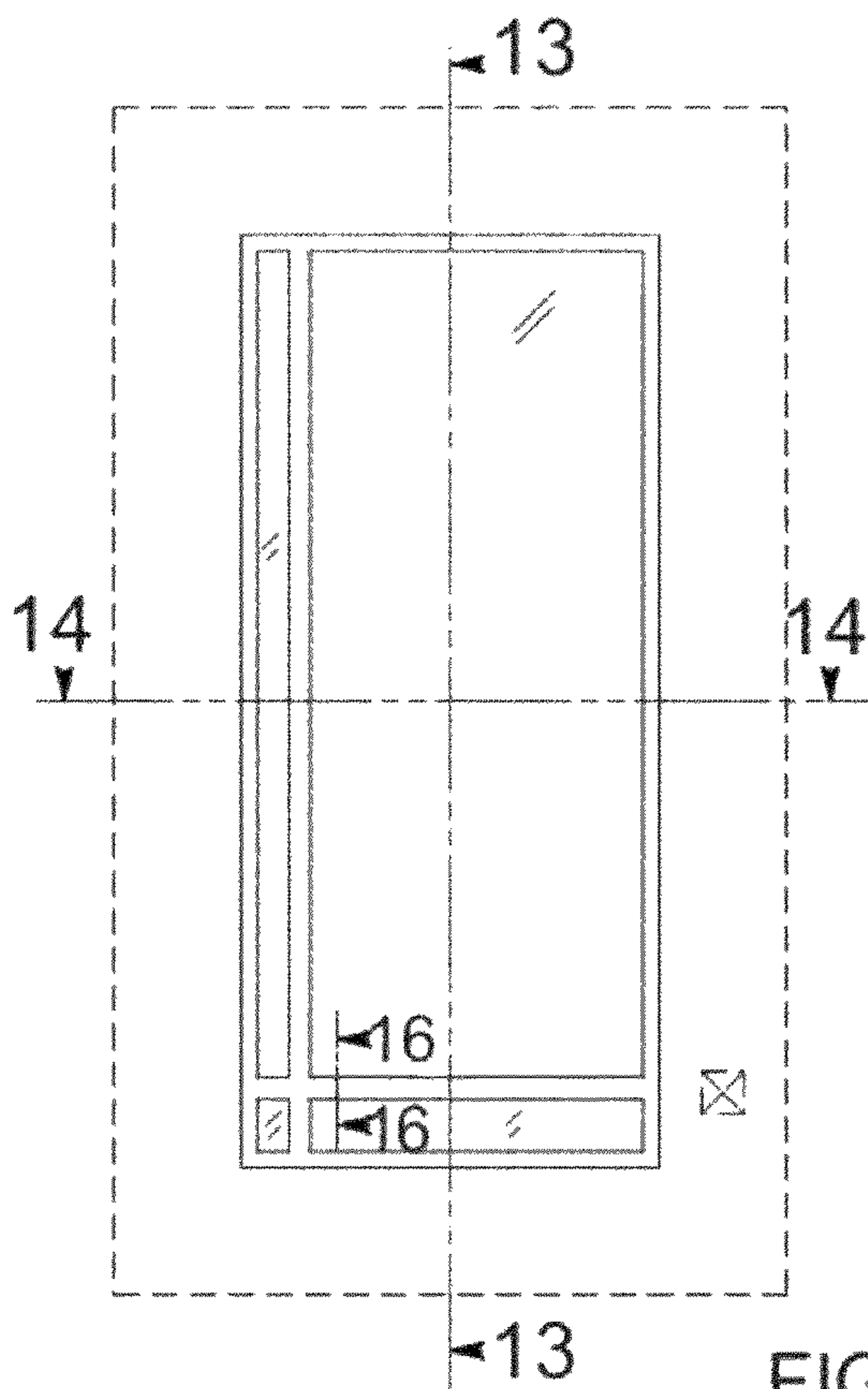


FIGURE 12

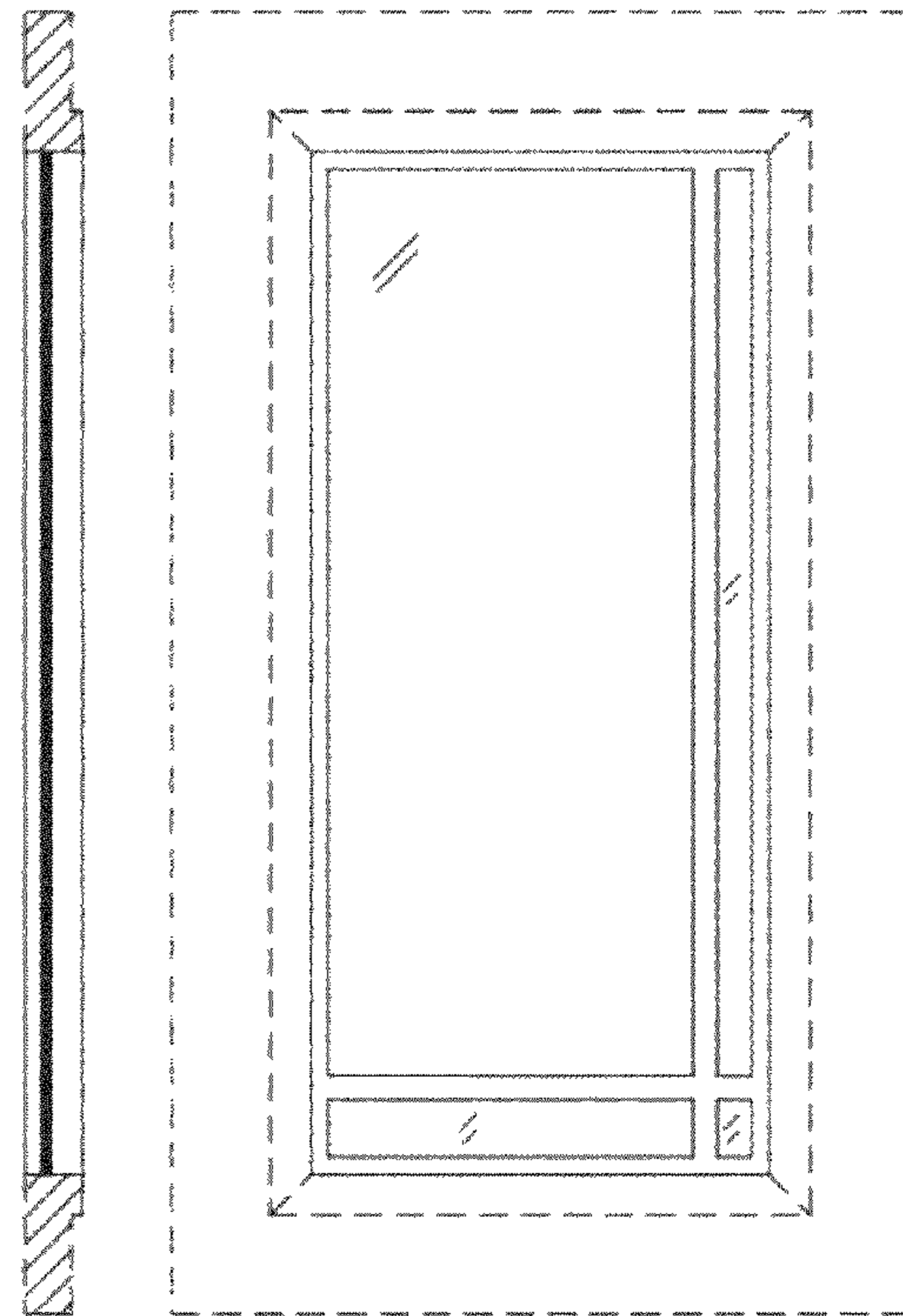


FIGURE 13

FIGURE 15

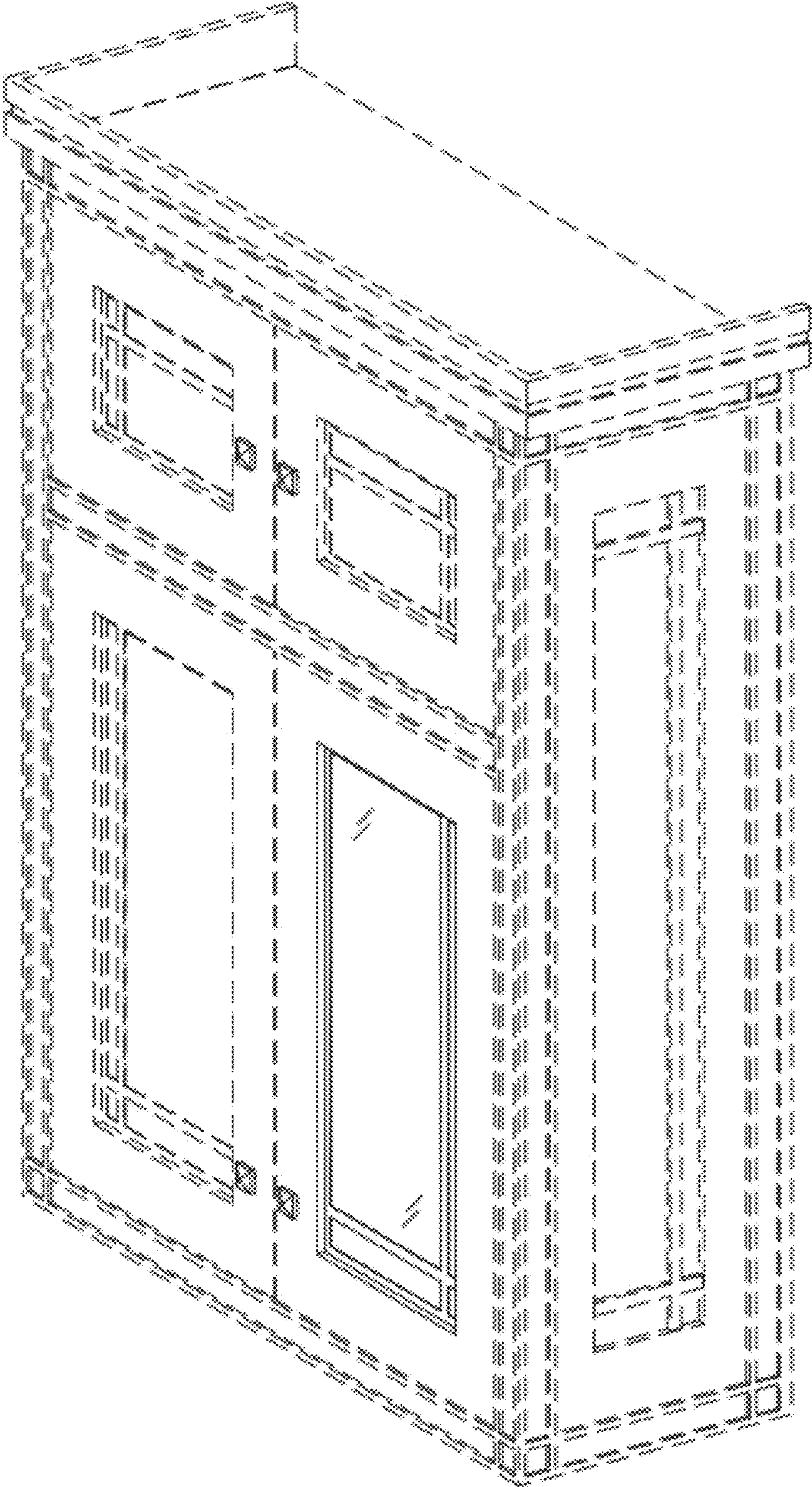


FIGURE 17

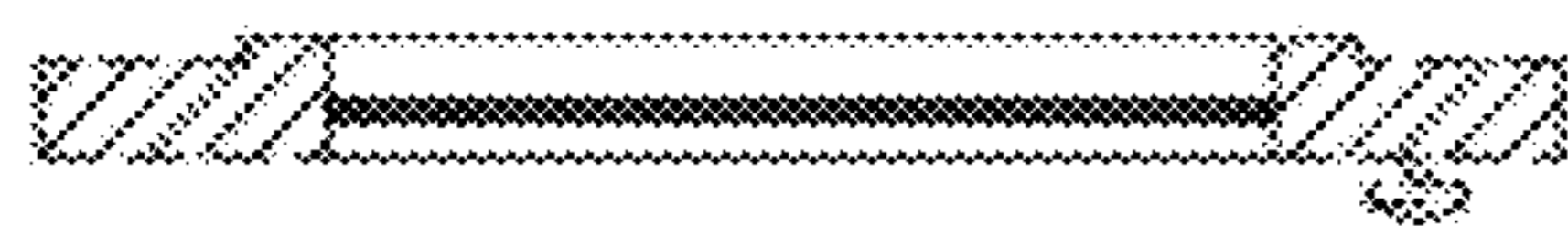


FIGURE 20

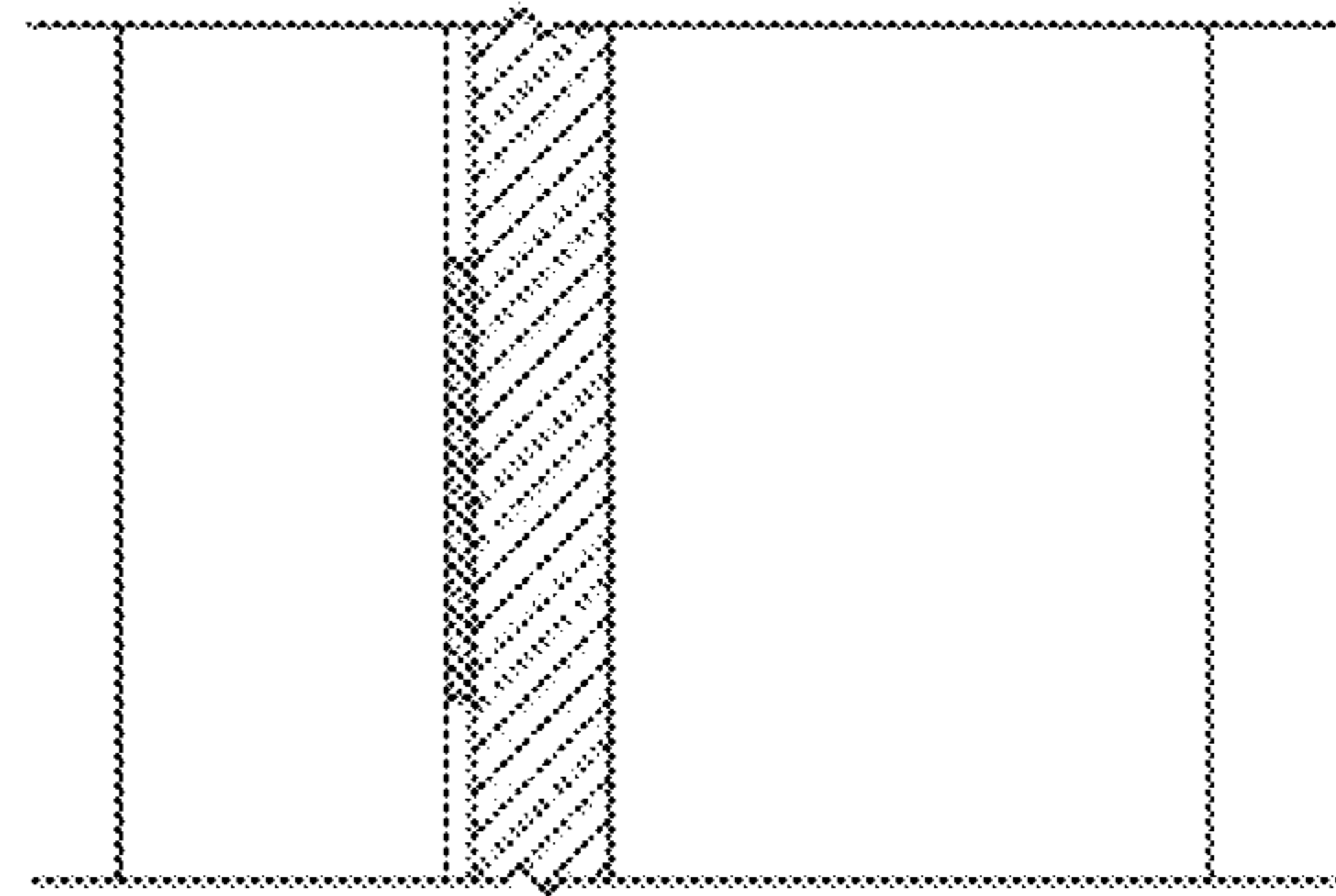


FIGURE 22

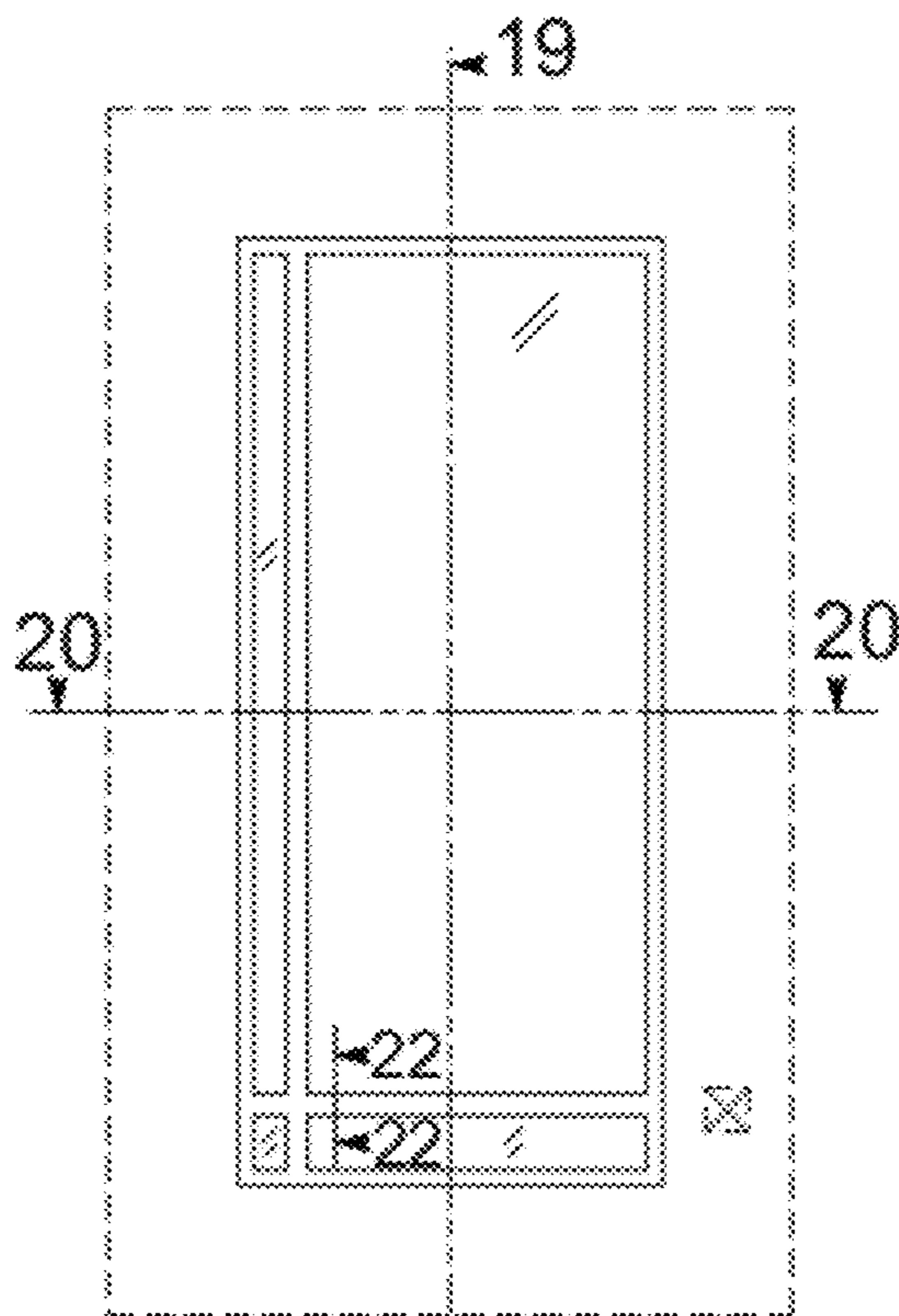


FIGURE 18

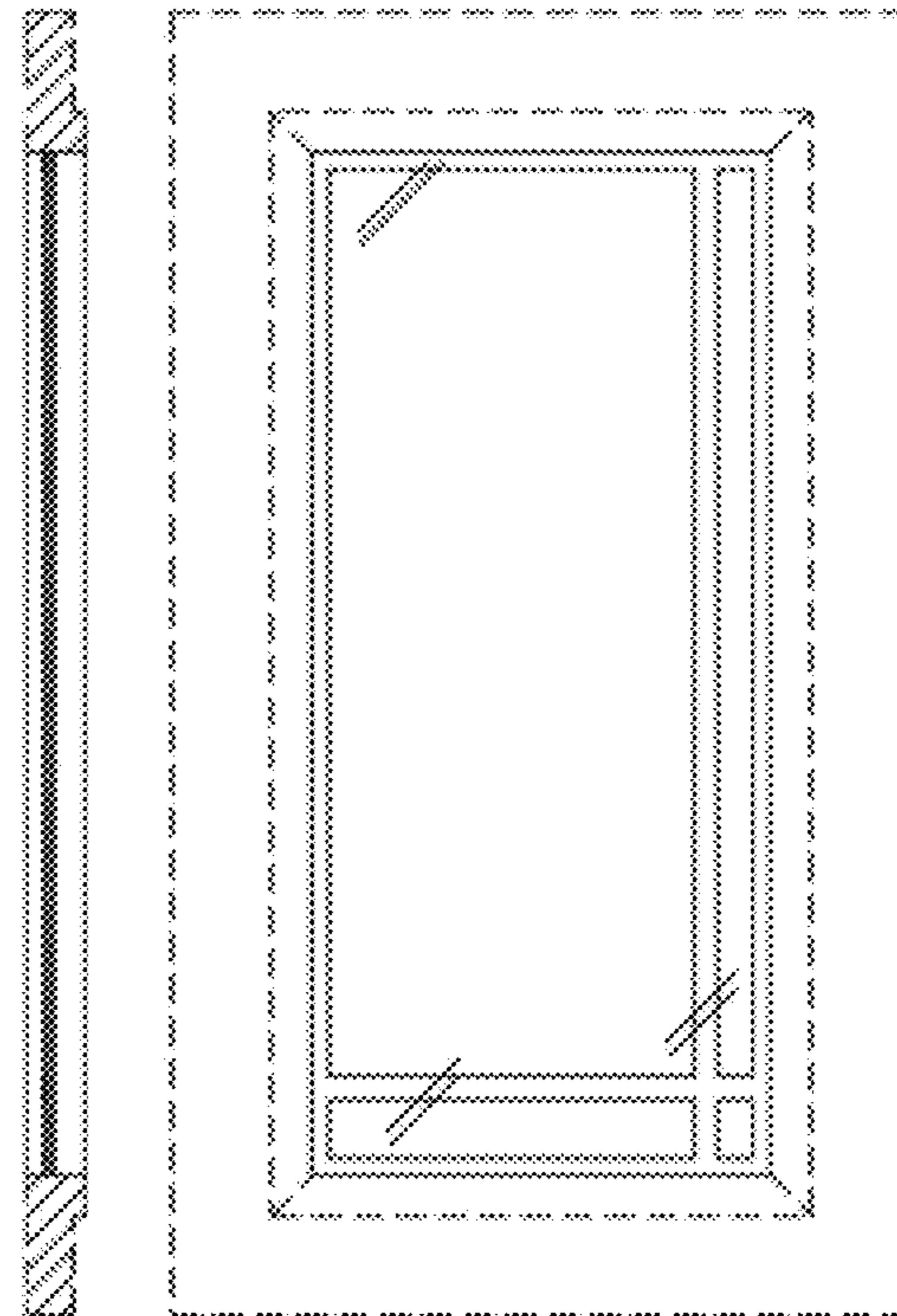


FIGURE 19

FIGURE 21



FIGURE 25

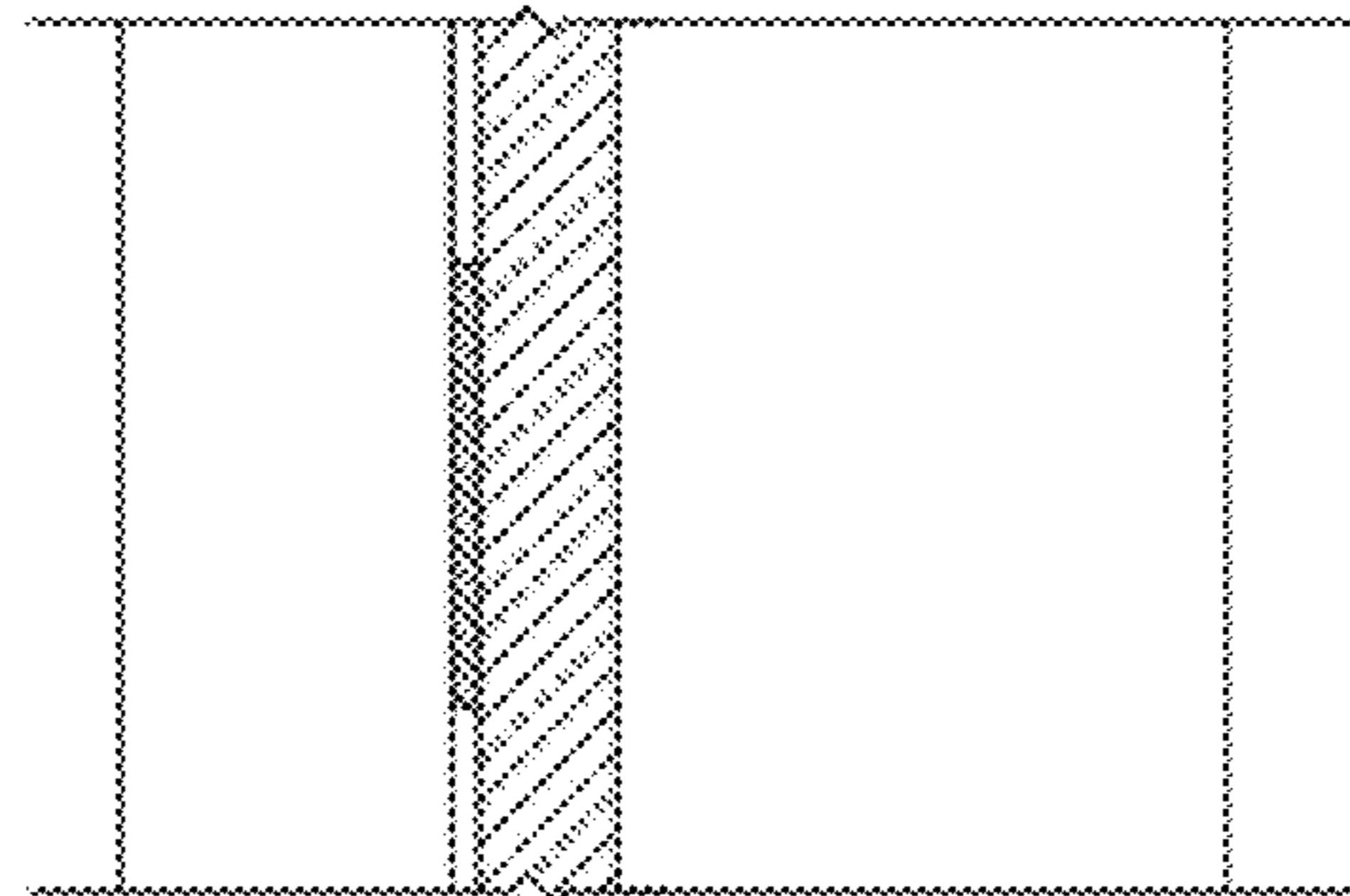


FIGURE 27

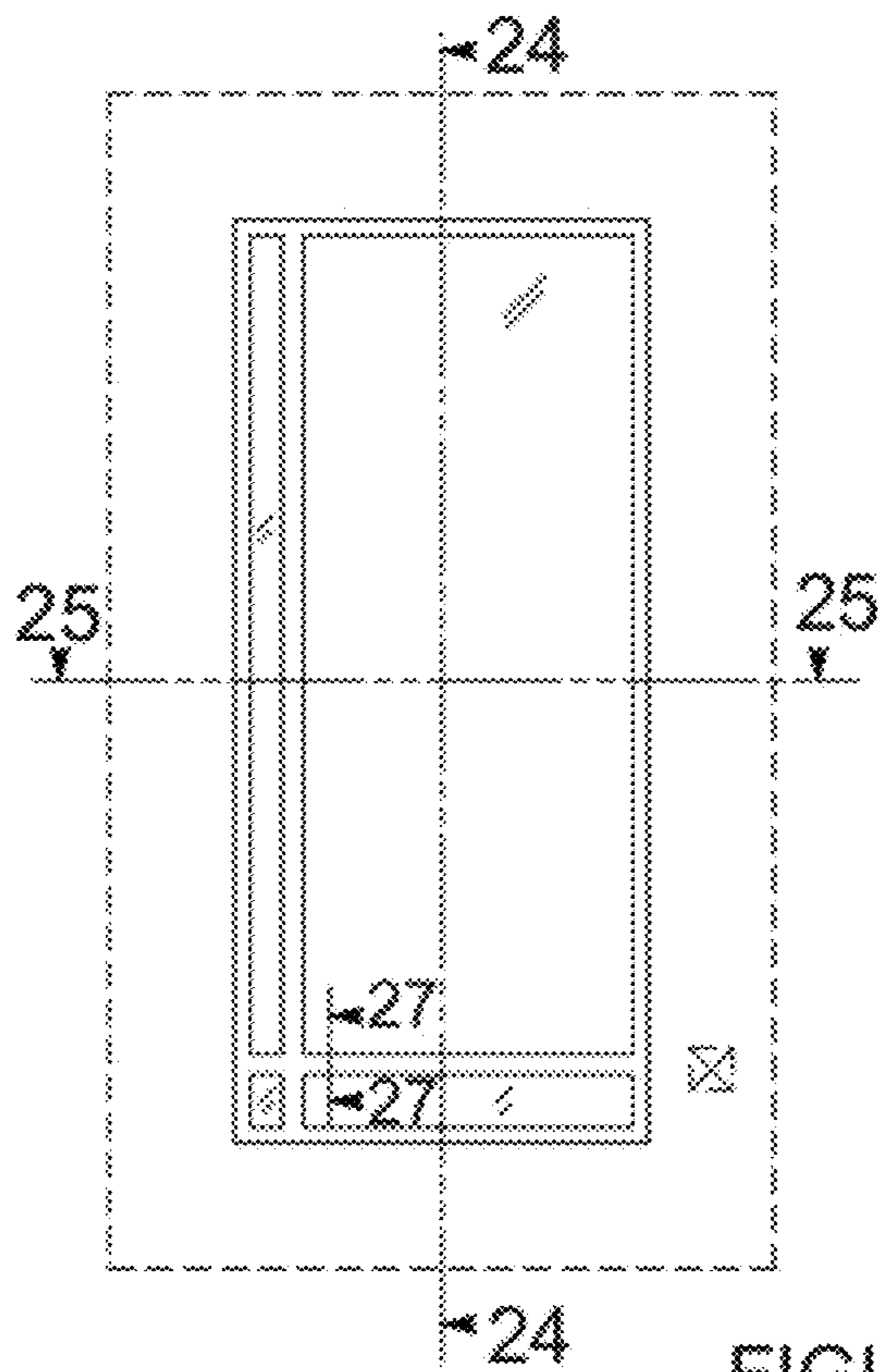


FIGURE 23

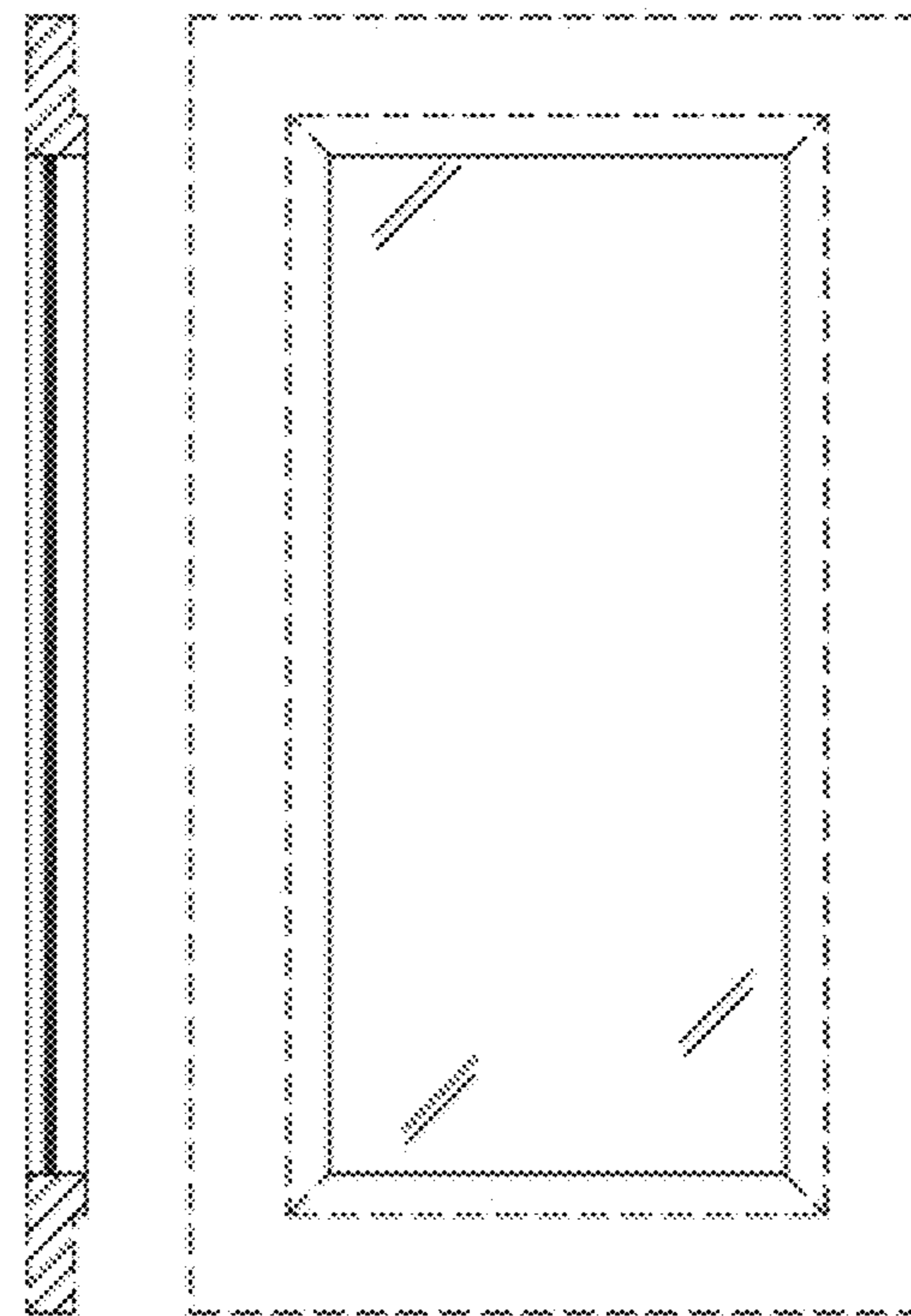


FIGURE 26

FIGURE 24

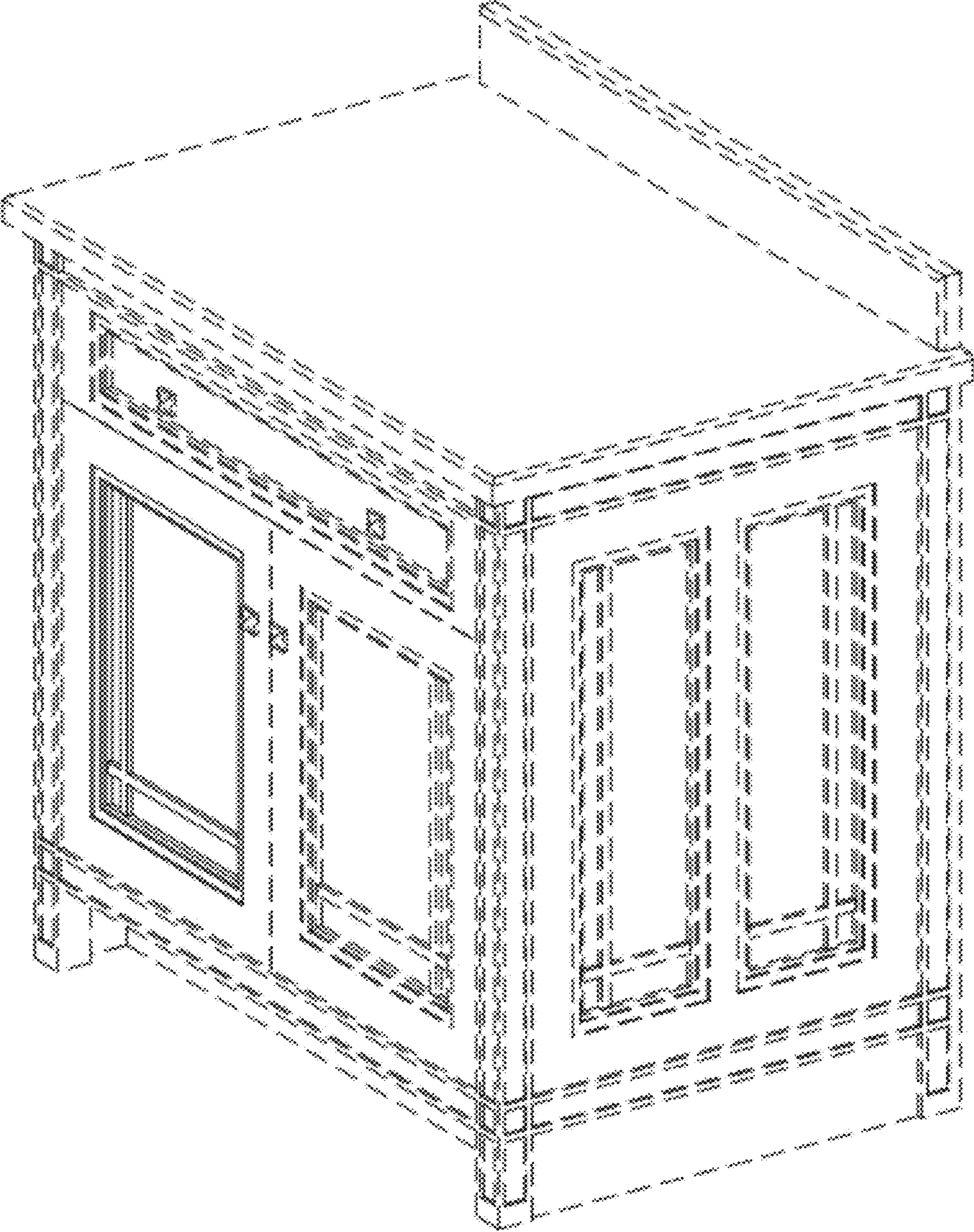


FIGURE 28

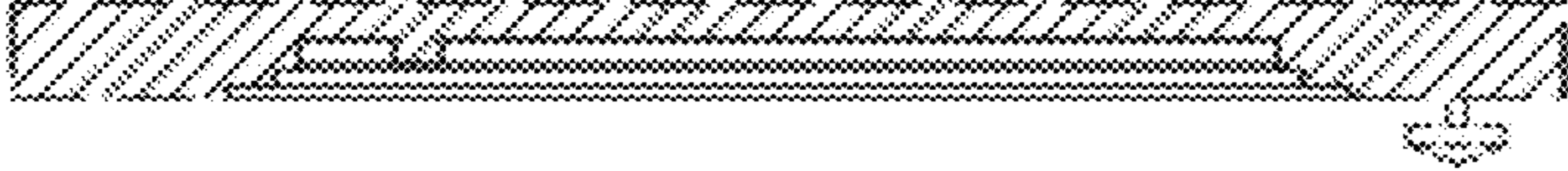


FIGURE 31

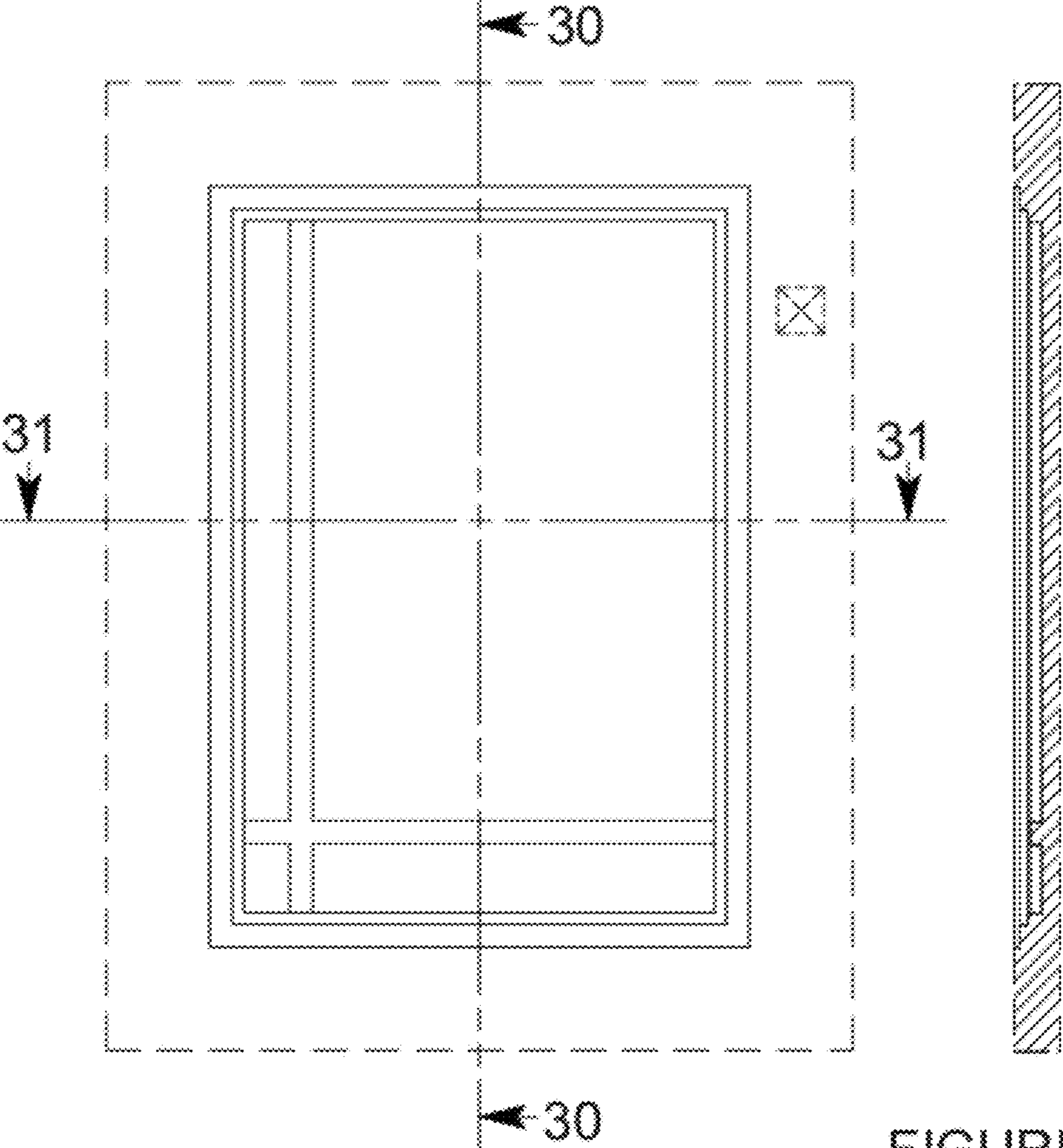


FIGURE 29

FIGURE 30

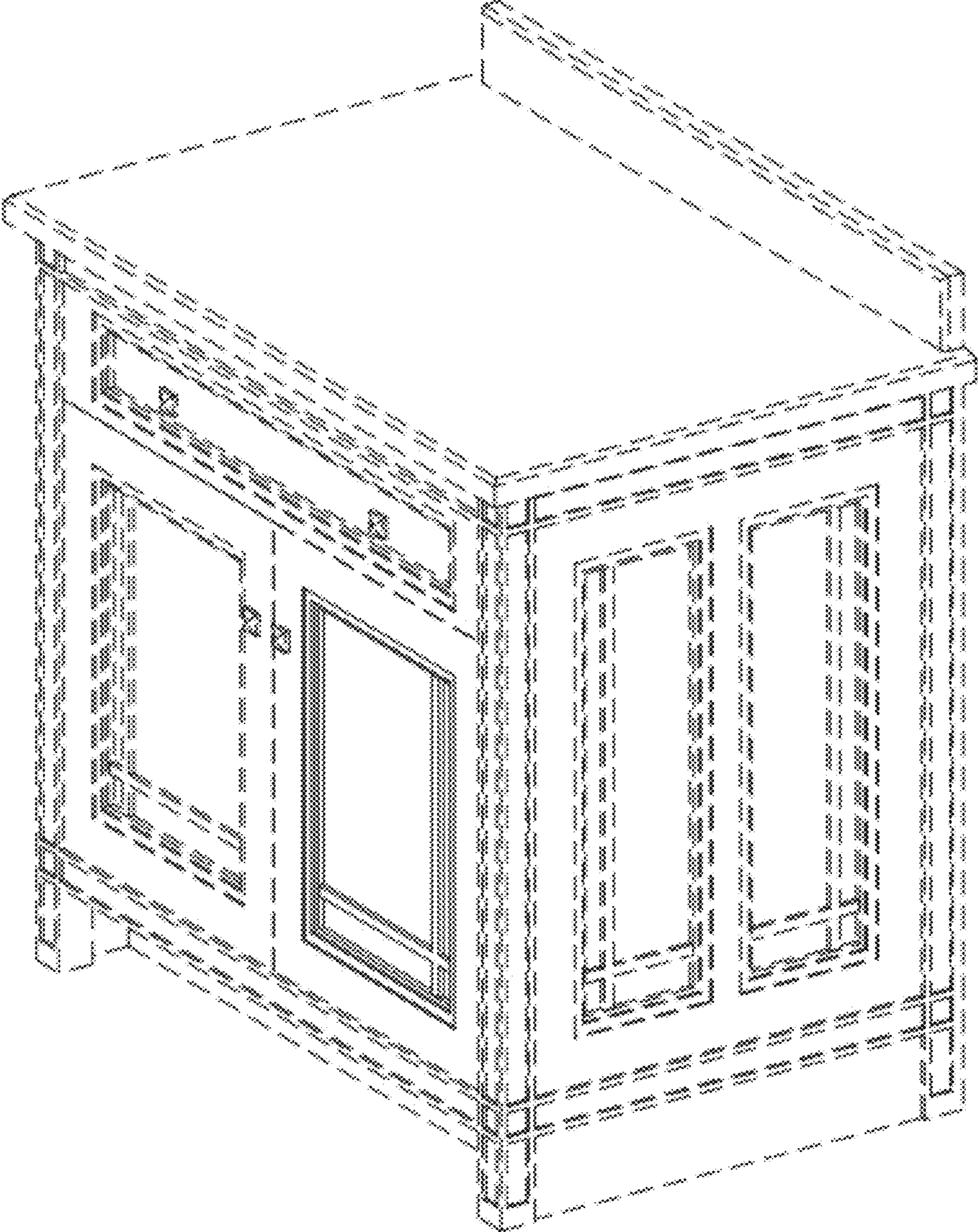


FIGURE 32

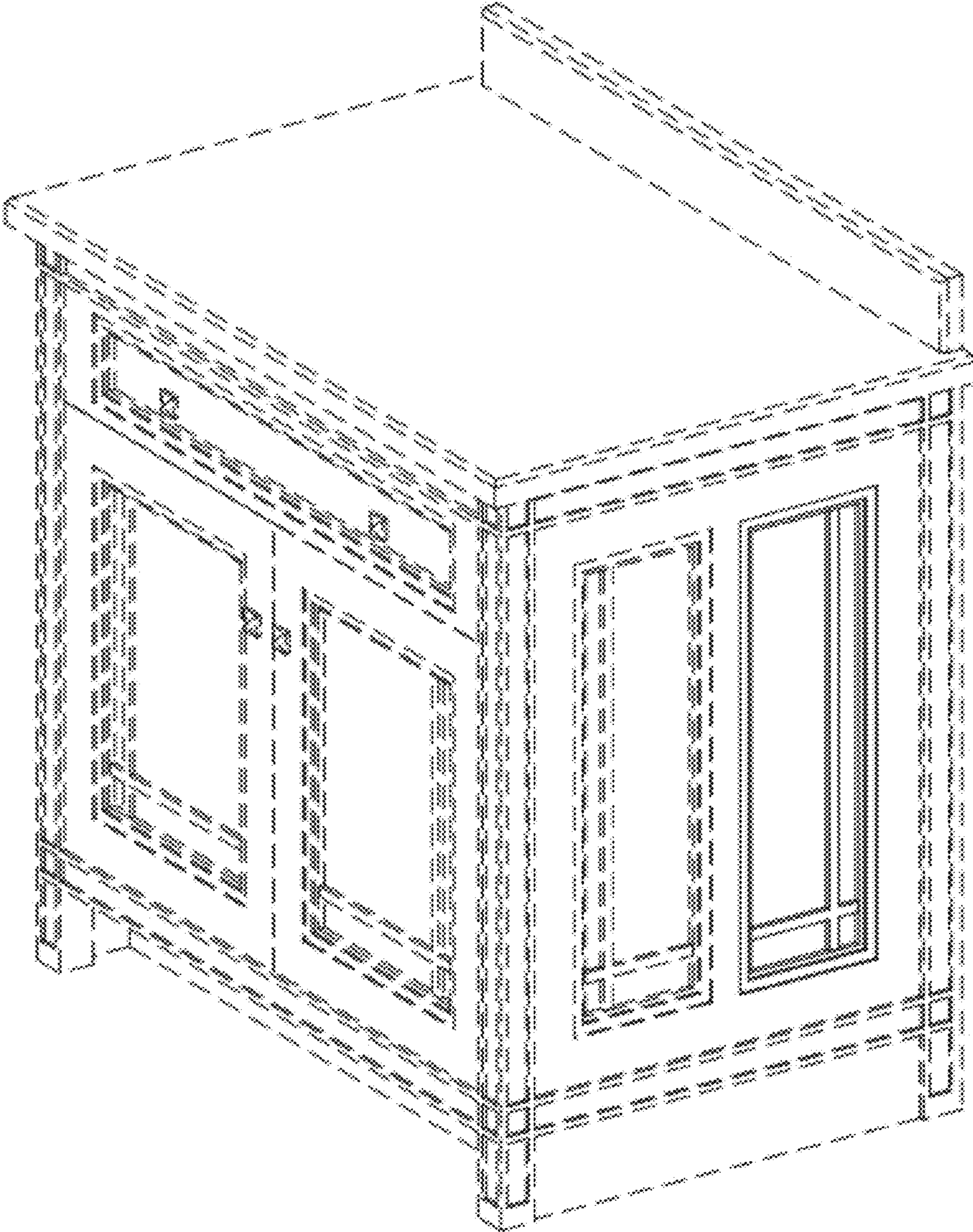


FIGURE 33



Figure 36

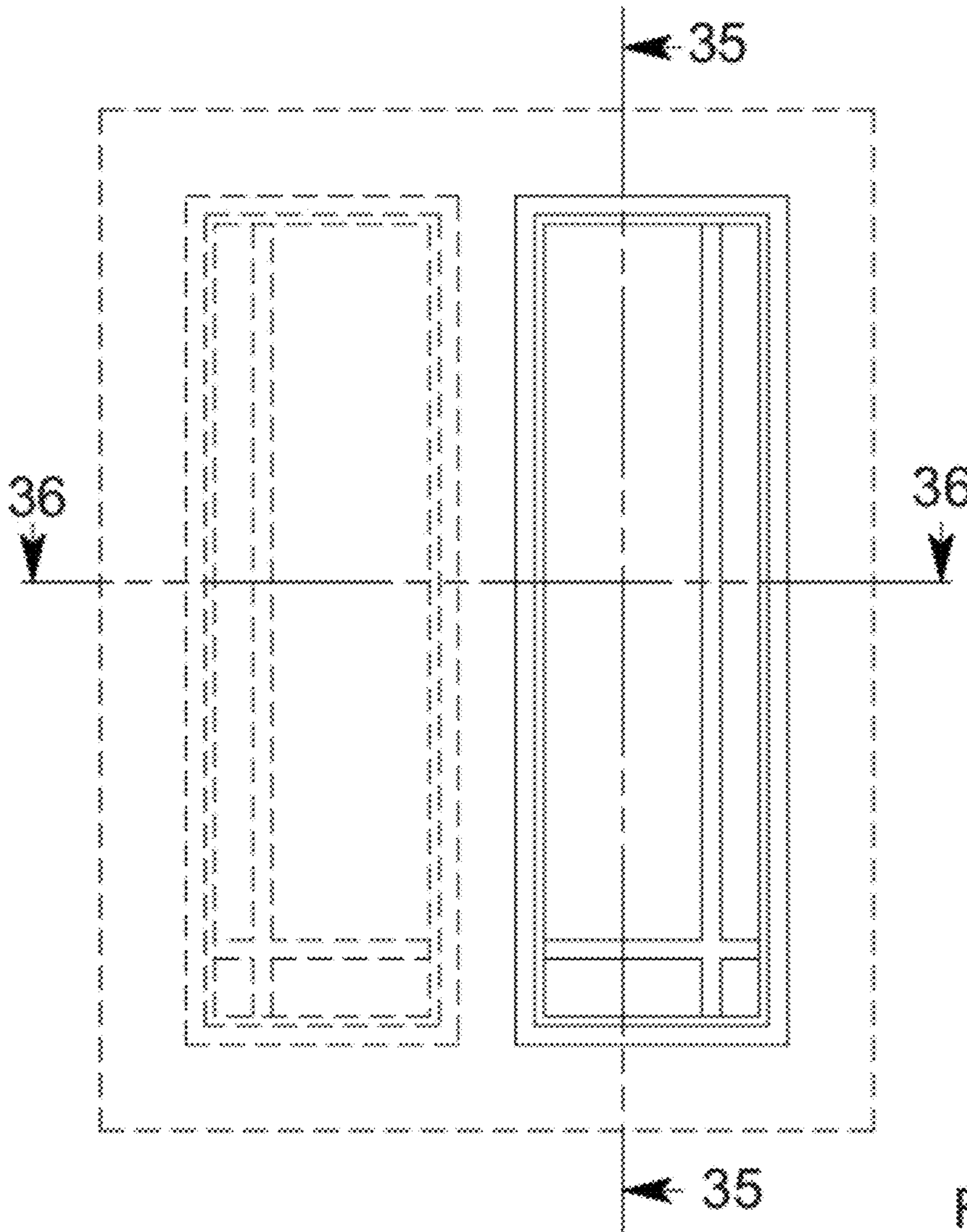


Figure 34



Figure 35

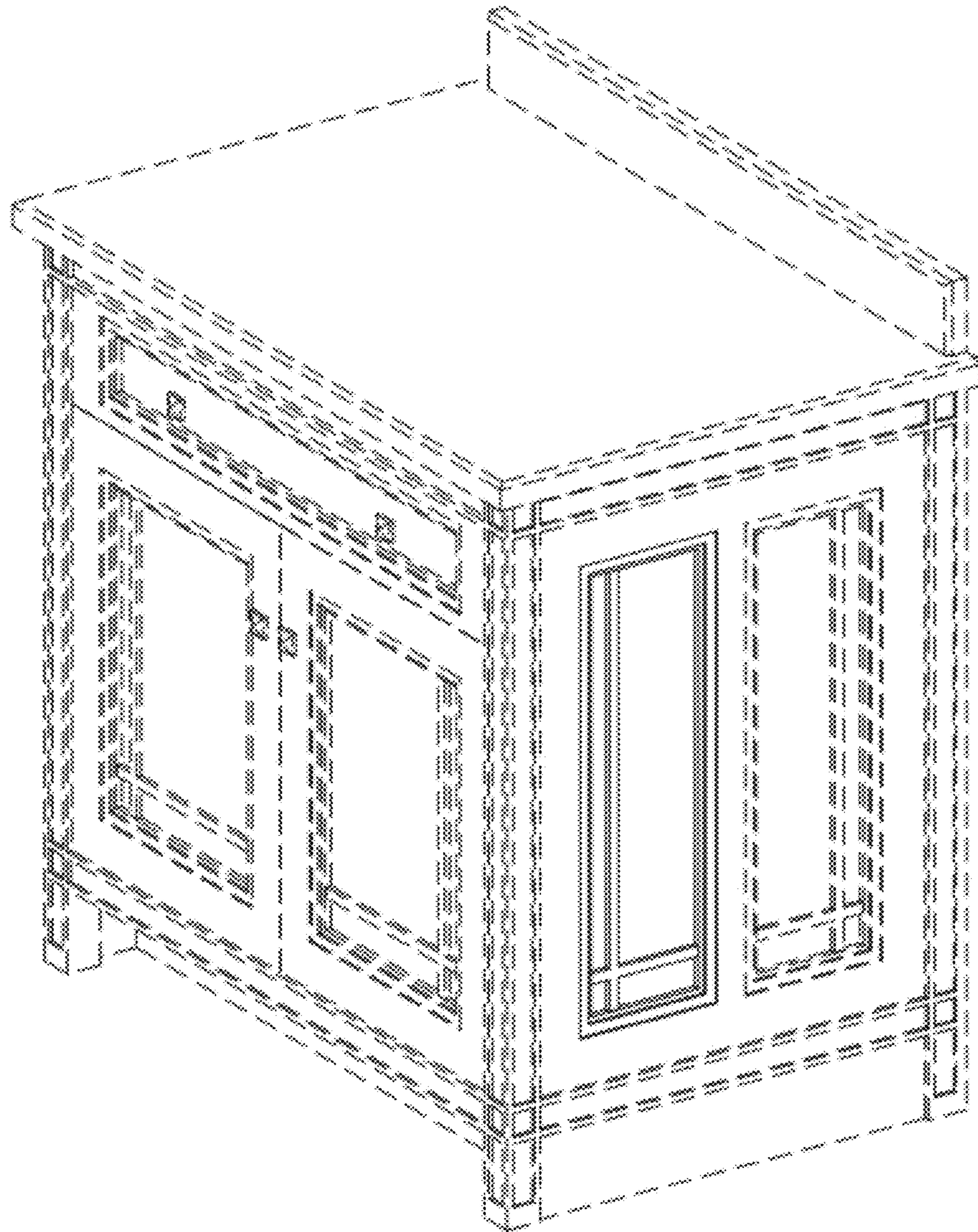


FIGURE 37