



US00D668081S

(12) **United States Design Patent**
Kobe et al.

(10) **Patent No.:** **US D668,081 S**

(45) **Date of Patent:** **** Oct. 2, 2012**

(54) **STANDING DISPLAY CASE**

(75) Inventors: **Tim Kobe**, Singapore (SG); **Hilary Clark**, New York, NY (US); **Mike Ely**, Berkeley, CA (US); **Lucinda Tay**, San Francisco, CA (US); **David Herman**, San Francisco, CA (US); **Sheldon Baker**, Brooklyn, NY (US); **Isao Takezawa**, Tokyo (JP); **Angela Wisco**, San Francisco, CA (US)

(73) Assignee: **Hearts On Fire Company, LLC**, Boston, MA (US)

(**) Term: **14 Years**

(21) Appl. No.: **29/409,817**

(22) Filed: **Dec. 29, 2011**

(51) **LOC (9) Cl.** **06-04**

(52) **U.S. Cl.** **D6/471**

(58) **Field of Classification Search** D6/432,
D6/436-448, 455, 470, 471; 312/107, 114,
312/125, 138.1, 204, 237, 257.1

See application file for complete search history.

(56) **References Cited**

U.S. PATENT DOCUMENTS

566,091	A	*	8/1896	Parker	312/138.1
D28,498	S	*	4/1898	Wyman	D6/471
D149,966	S	*	6/1948	Newman	D6/471
D268,368	S	*	3/1983	Moss	D6/471
D293,173	S	*	12/1987	Chester	D6/432

D311,652	S	*	10/1990	Feller	D6/471
D351,075	S	*	10/1994	Rubin et al.	D6/471
D465,948	S	*	11/2002	Au et al.	D6/471

* cited by examiner

Primary Examiner — Mimoso De

(74) *Attorney, Agent, or Firm* — DLA Piper LLP US

(57) **CLAIM**

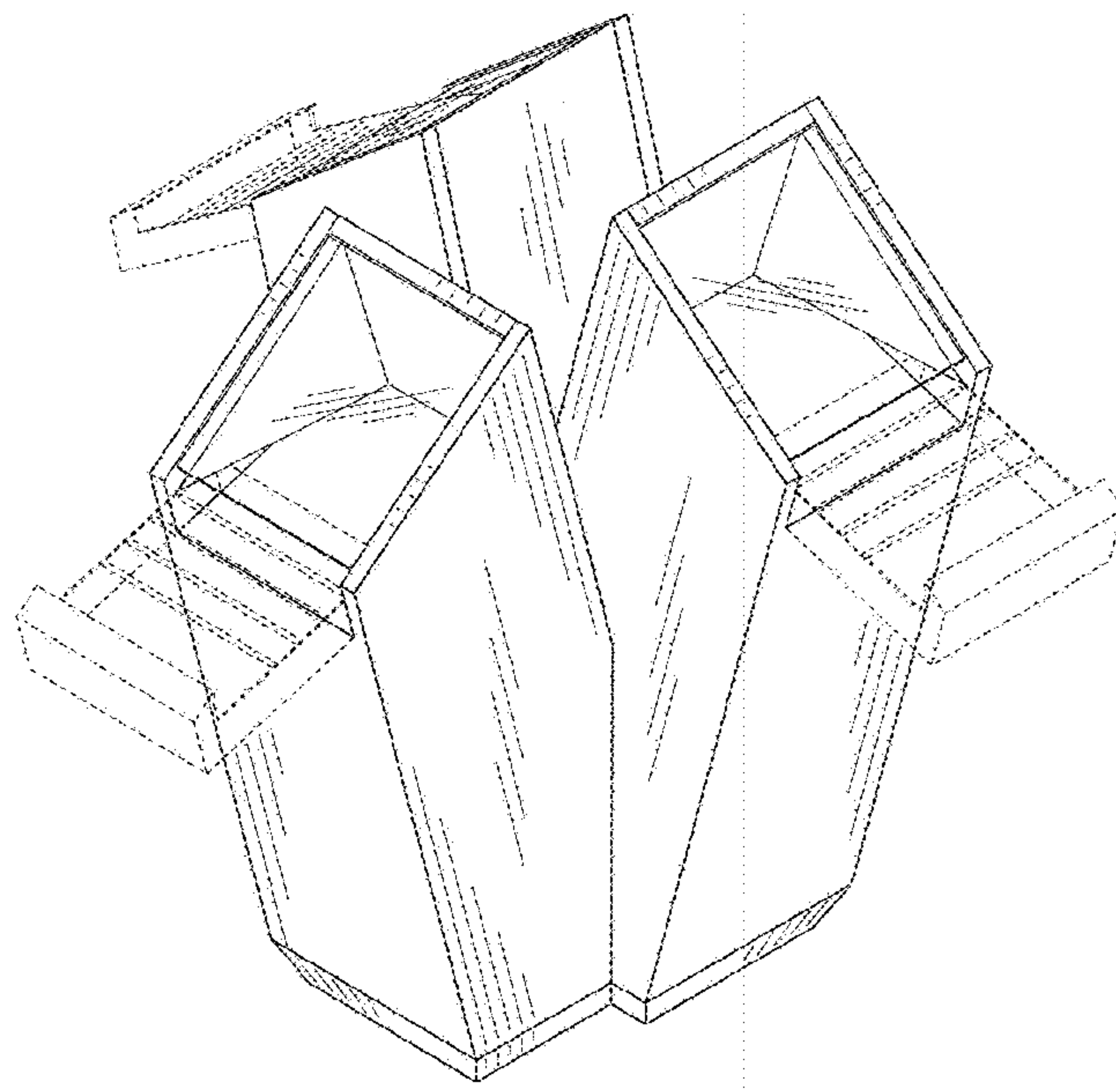
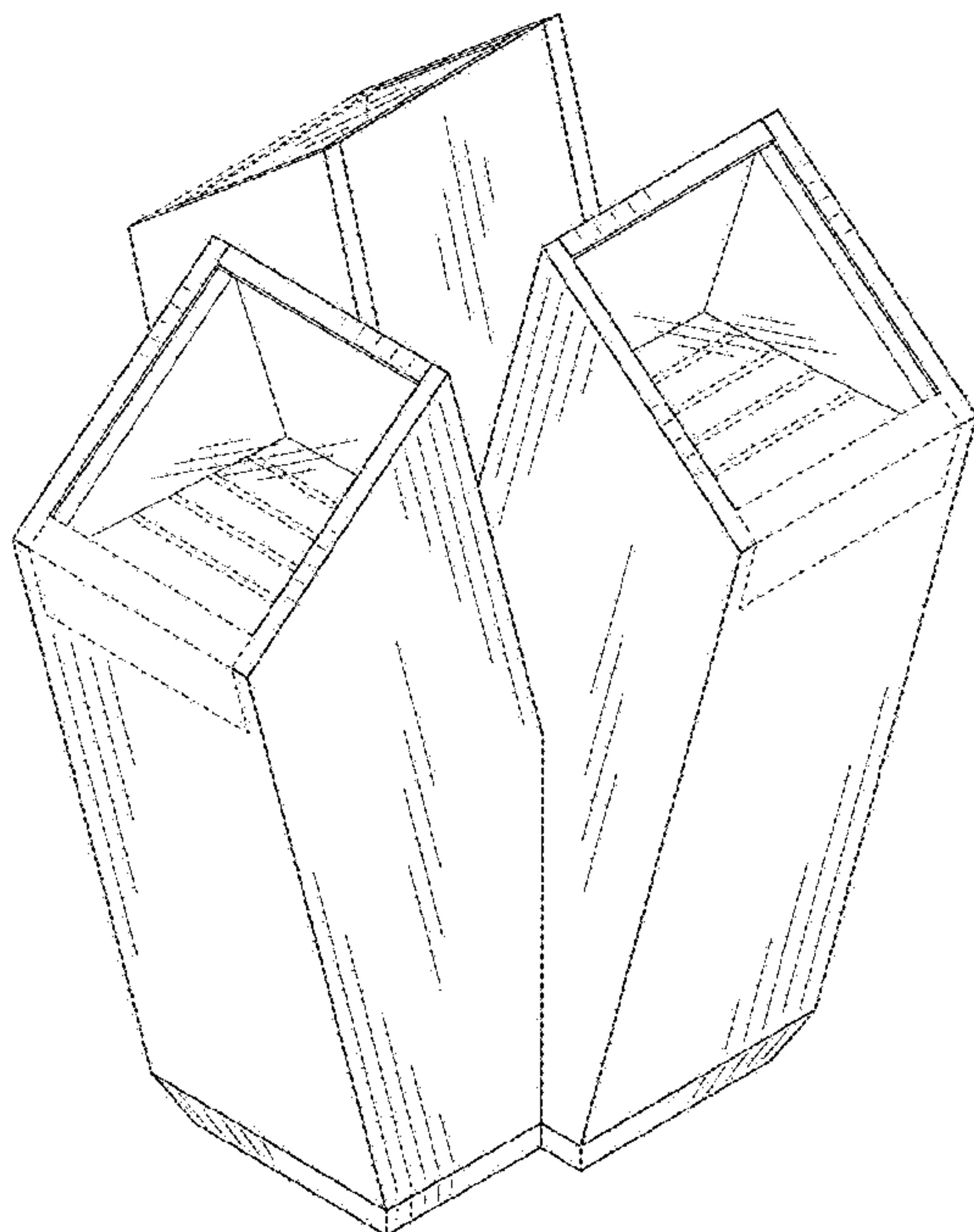
The ornamental design for a standing display case, as shown and described.

DESCRIPTION

FIG. 1 is a perspective view of the standing display case, having drawers in a closed position;
 FIG. 2 is a front elevational view of the standing display case, having drawers in a closed position;
 FIG. 3 is a rear elevational view of the standing display case, having drawers in a closed position;
 FIG. 4 is a right side elevational view of the standing display case, having drawers in a closed position;
 FIG. 5 is a left side elevational view of the standing display case, having drawers in a closed position;
 FIG. 6 is a top plan view of the standing display case, having drawers in a closed position;
 FIG. 7 is a bottom plan view of the standing display case, having drawers in a closed position; and,
 FIG. 8 is a perspective view of the standing display case, having drawers in an open position.

The features shown in broken lines in the Figures form no part of the claimed design.

1 Claim, 5 Drawing Sheets



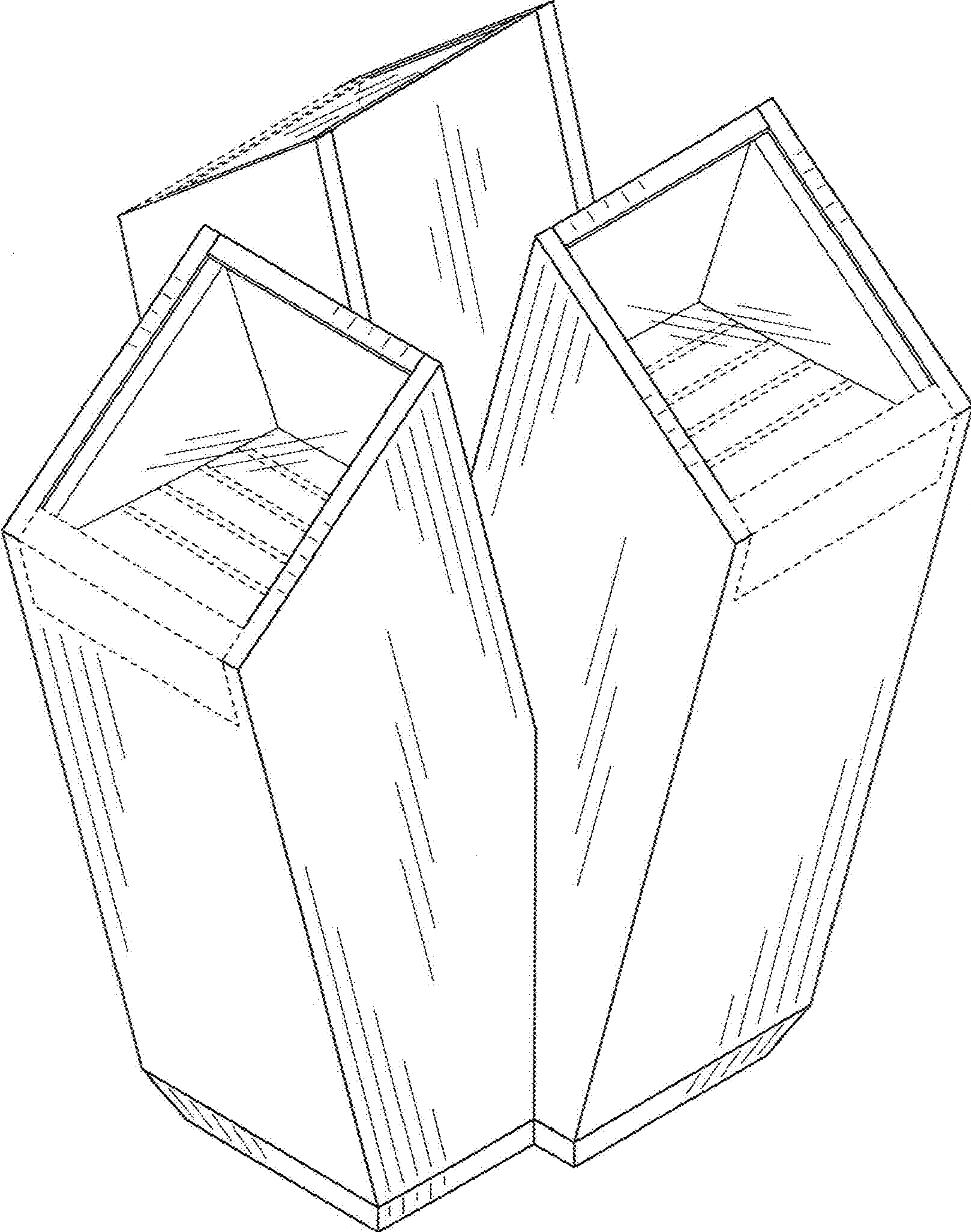


FIG. 1

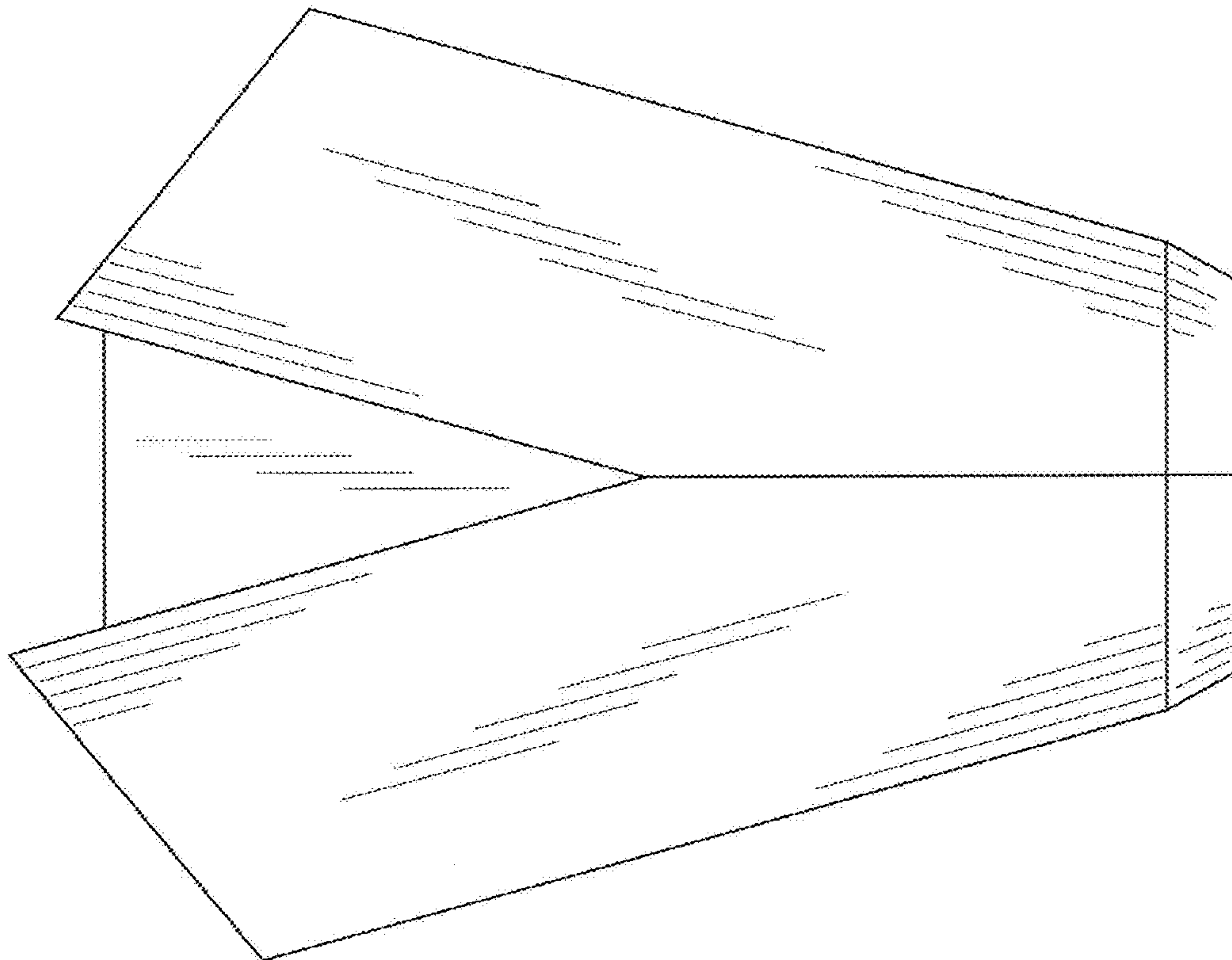


FIG. 3

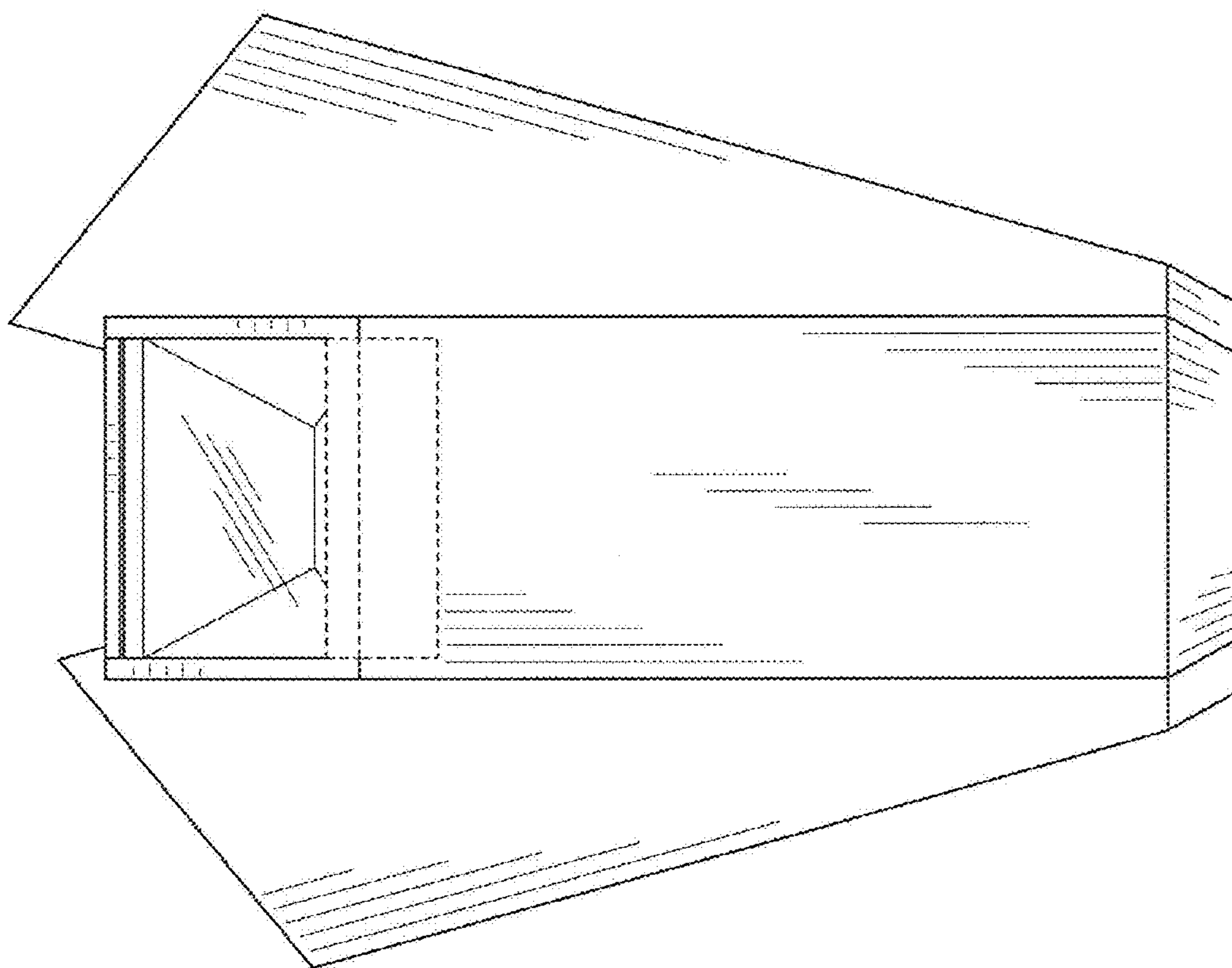


FIG. 2

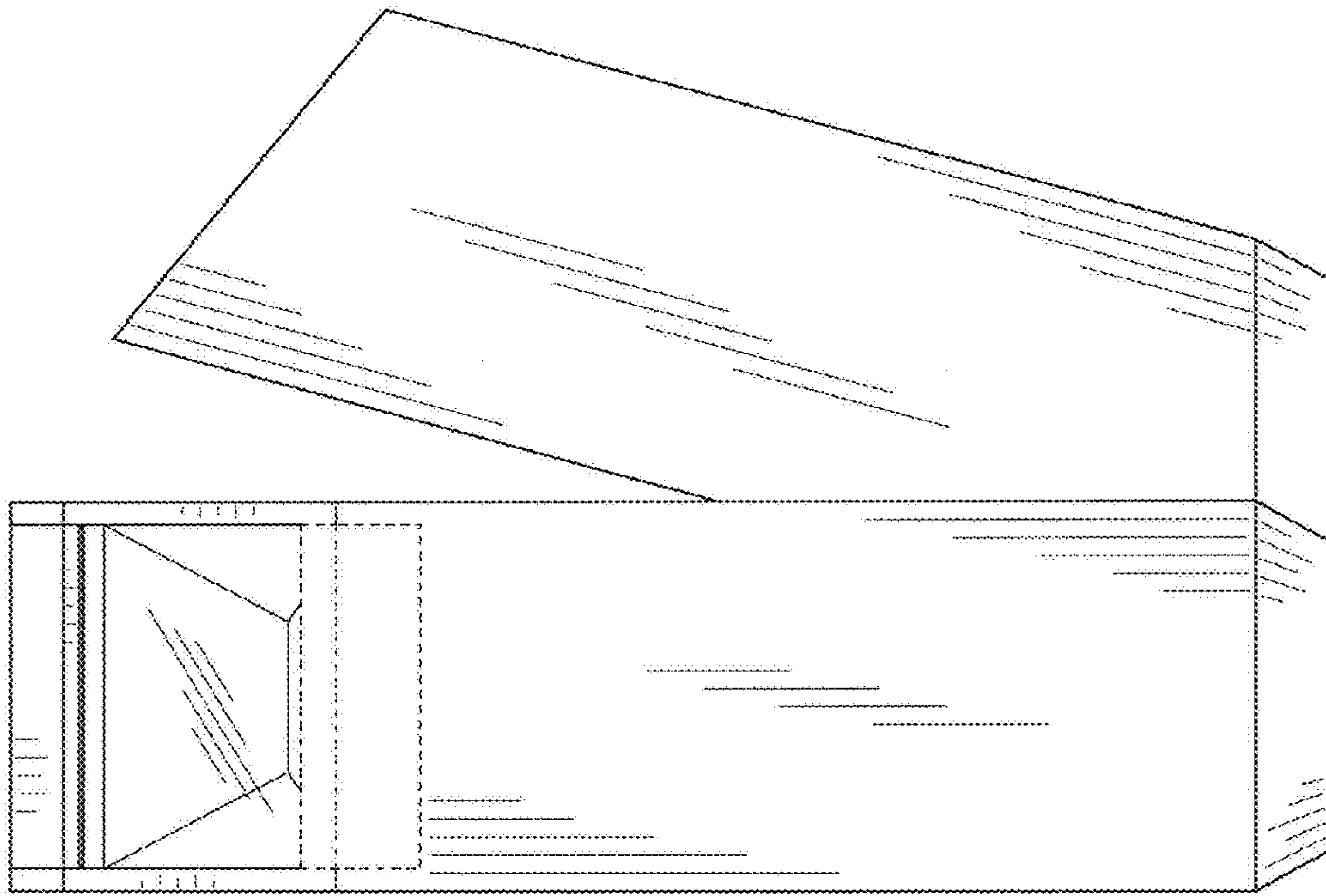


FIG. 5

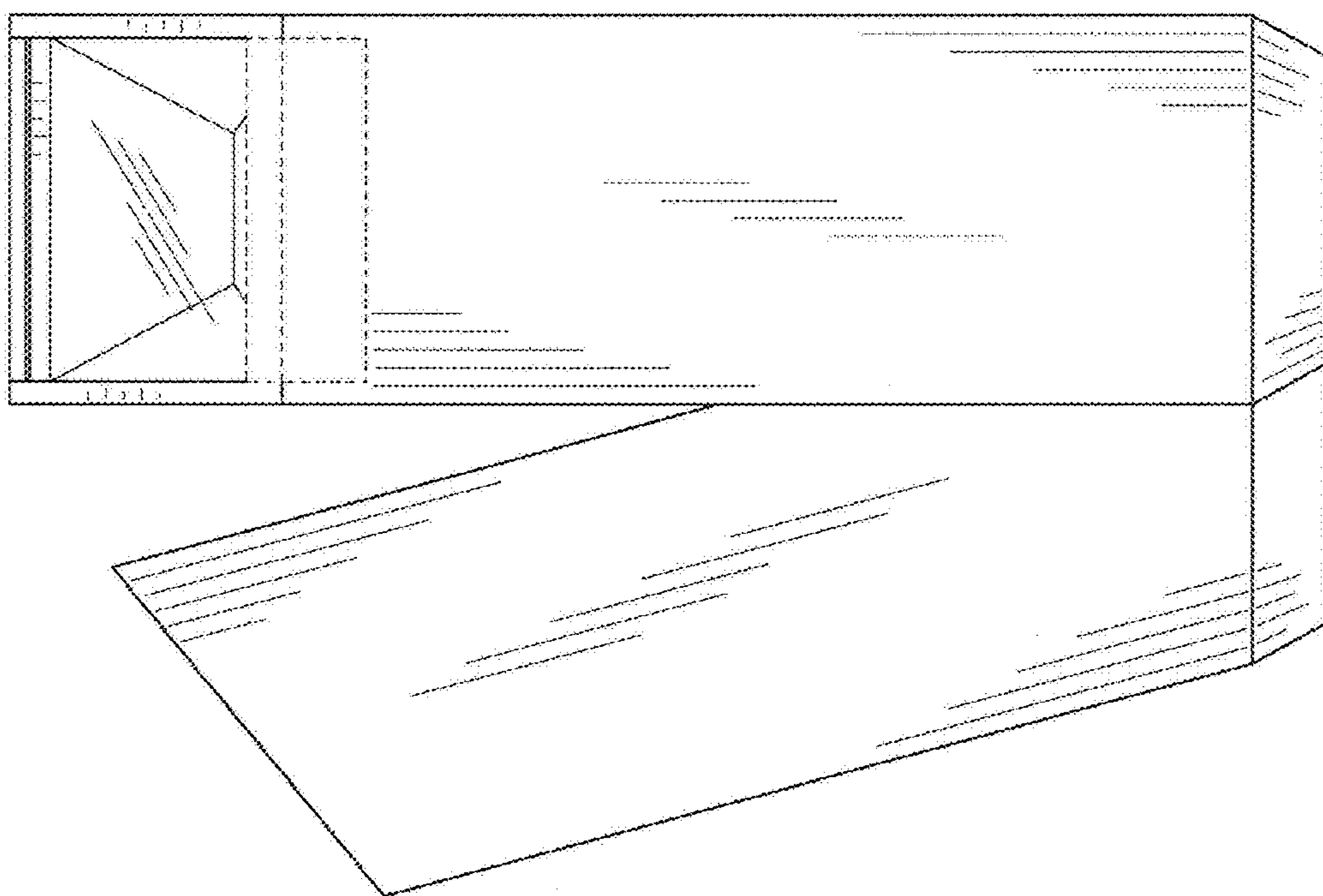


FIG. 4

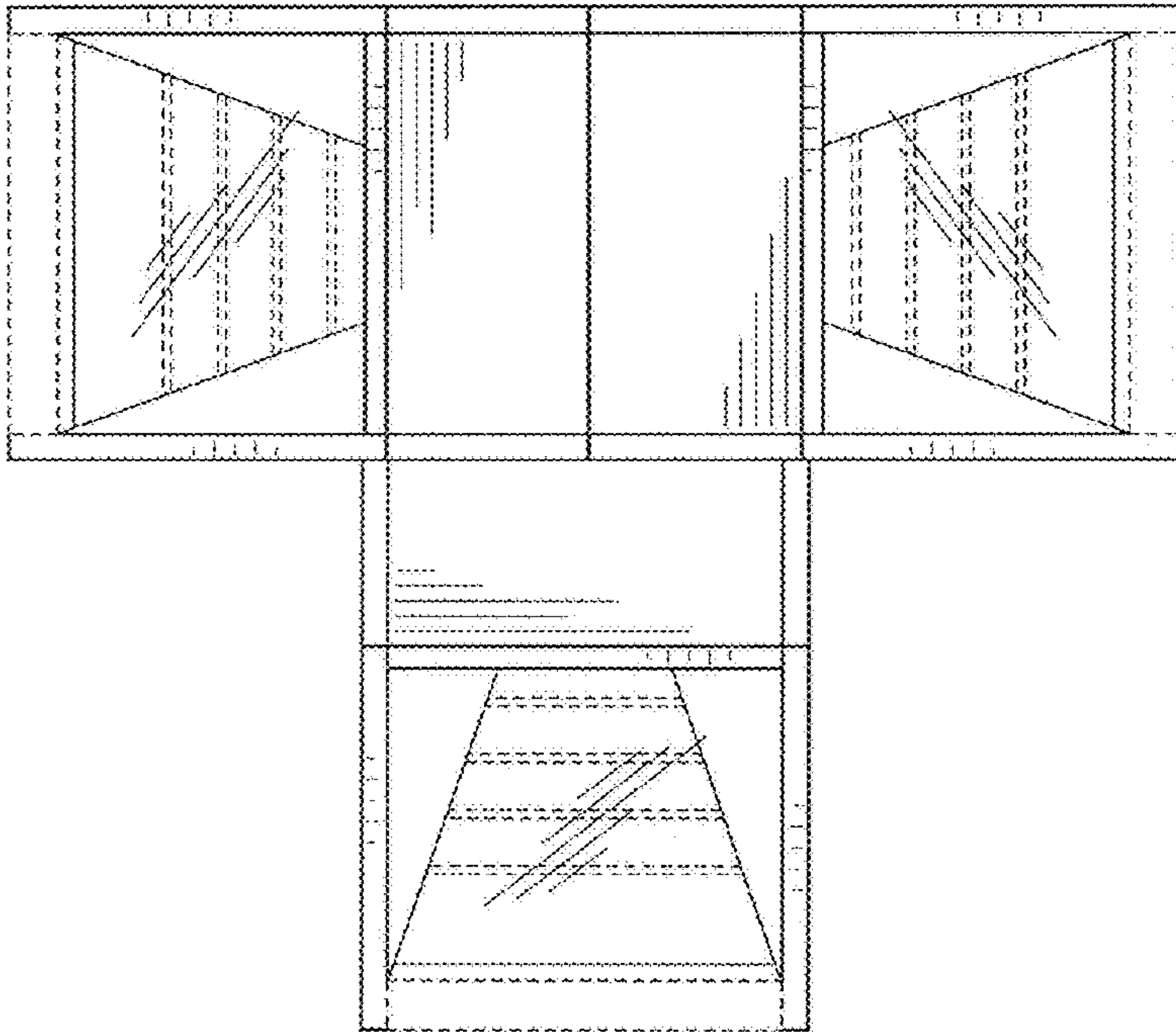


FIG. 6

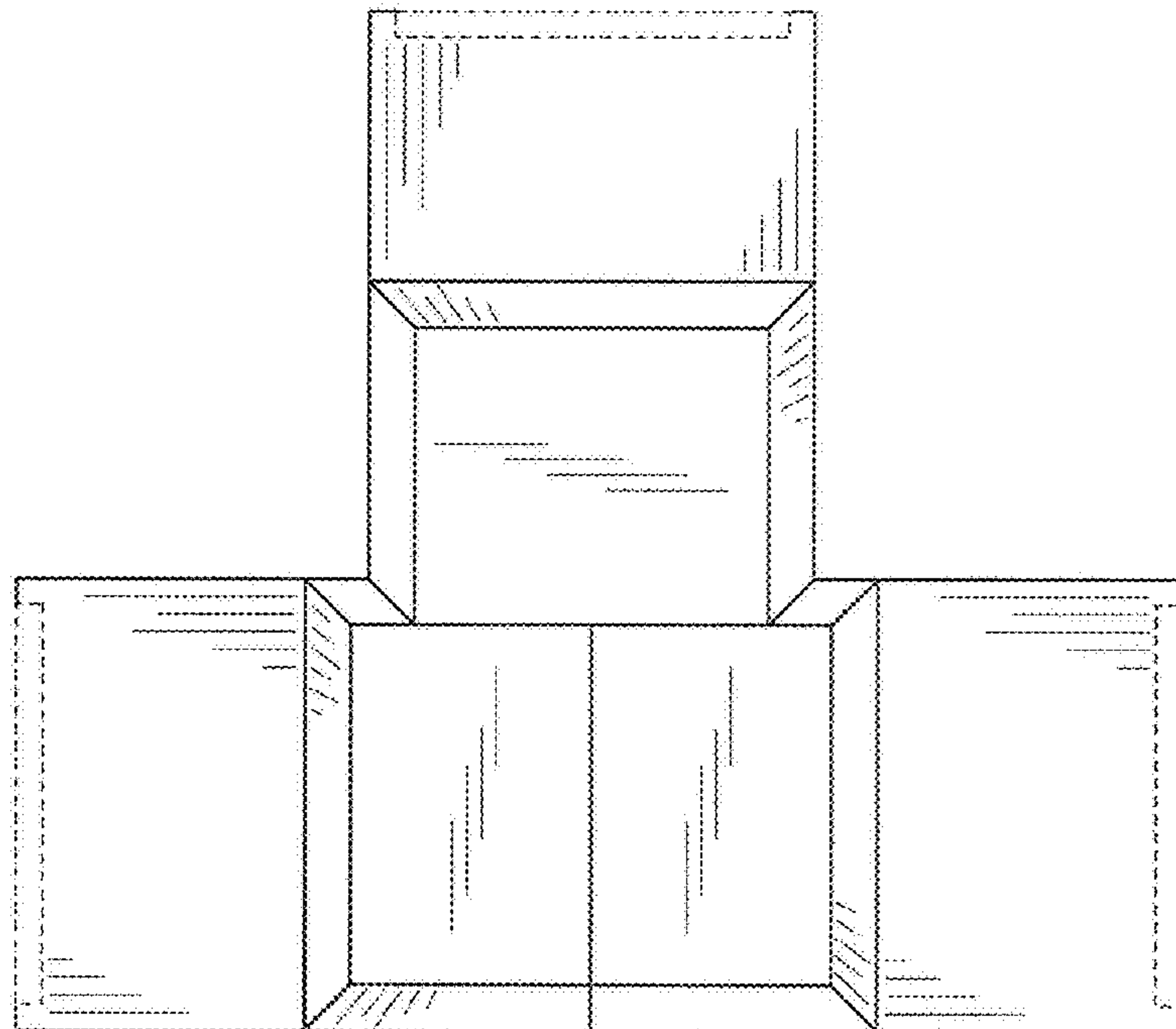


FIG. 7

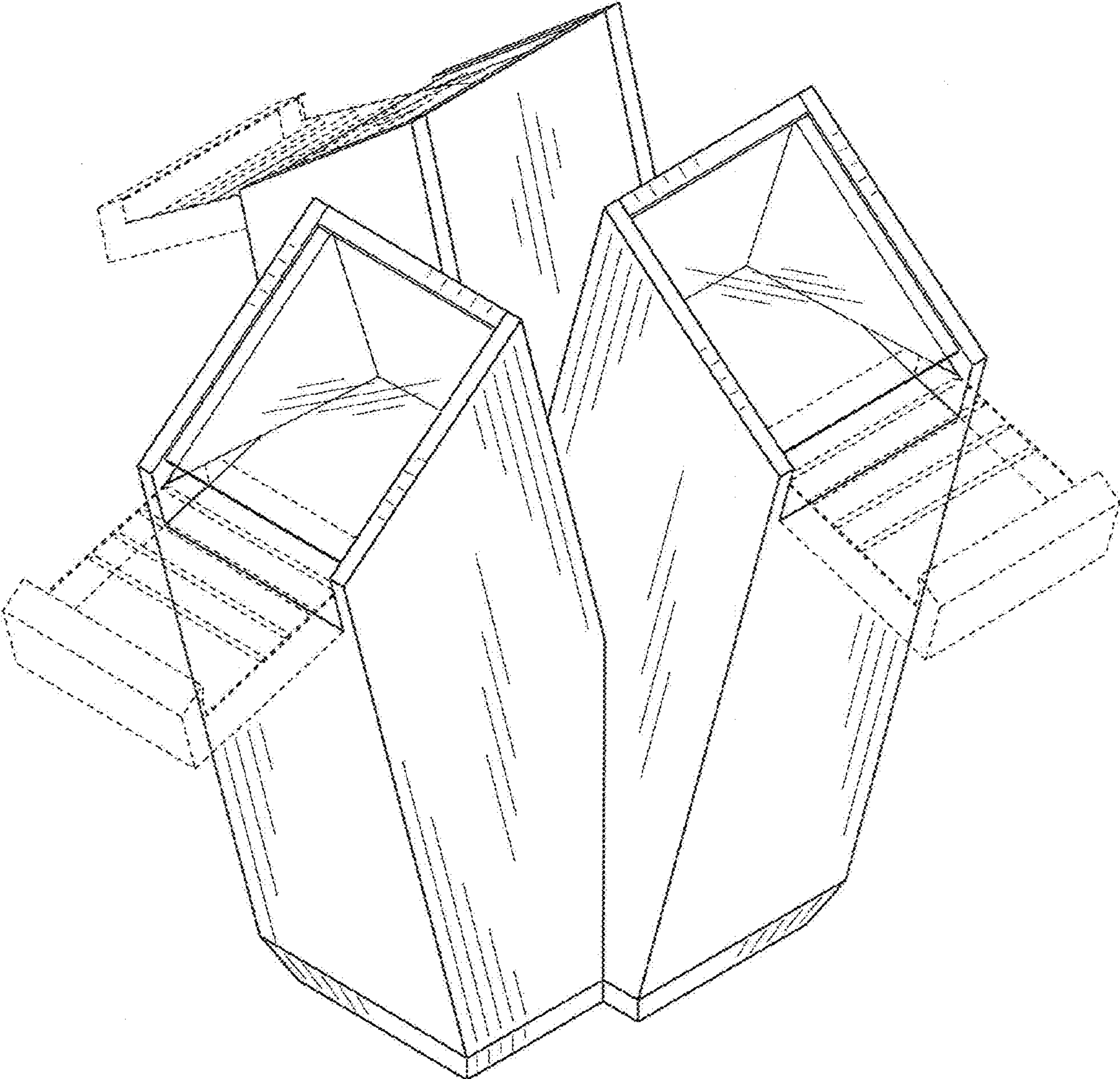


FIG. 8