



US00D668076S

(12) **United States Design Patent**
Gokey

(10) **Patent No.:** **US D668,076 S**

(45) **Date of Patent:** **** Oct. 2, 2012**

(54) **MAGNETIC QUILT HANGER**

(76) Inventor: **Brian Edward Gokey**, Norco, CA (US)

(**) Term: **14 Years**

(21) Appl. No.: **29/406,926**

(22) Filed: **Nov. 21, 2011**

Related U.S. Application Data

(63) Continuation-in-part of application No. 12/231,506, filed on Sep. 3, 2008, now abandoned.

(51) **LOC (9) Cl.** **06-04**

(52) **U.S. Cl.** **D6/410**

(58) **Field of Classification Search** D6/300,
D6/309, 410, 411; D13/180; D26/2; 361/831;
211/90.03, 106, 85.3, 85.11, 100, 96; D8/373
See application file for complete search history.

(56) **References Cited**

U.S. PATENT DOCUMENTS

3,289,338	A	12/1966	Stephens	
3,437,127	A	4/1969	Lukashok	
4,403,642	A	9/1983	Morris	
D292,044	S *	9/1987	Billiet D6/300
4,739,815	A	4/1988	Altman	
5,191,922	A	3/1993	Wade	
5,799,992	A	9/1998	Kojima	
5,833,193	A	11/1998	Derda et al.	
5,911,266	A	6/1999	Jacobs	
6,219,892	B1	4/2001	Johnsen	
D573,553	S *	7/2008	Uemoto et al. D13/180
D615,052	S *	5/2010	Imai et al. D13/180
D643,948	S *	8/2011	Wada et al. D26/2
D650,760	S *	12/2011	Hussell et al. D13/180

D658,603	S *	5/2012	Egawa et al. D13/180
D658,604	S *	5/2012	Egawa et al. D13/180
2004/0163295	A1	8/2004	Fontana et al.	
2006/0218717	A1	10/2006	van den Bosch	
2007/0165392	A1 *	7/2007	Sun et al. 361/831
2008/0023605	A1	1/2008	Yang	

* cited by examiner

Primary Examiner — Philip S Hyder

Assistant Examiner — Sydney Buffalow

(74) *Attorney, Agent, or Firm* — Kirk A. Buhler; Buhler & Associates

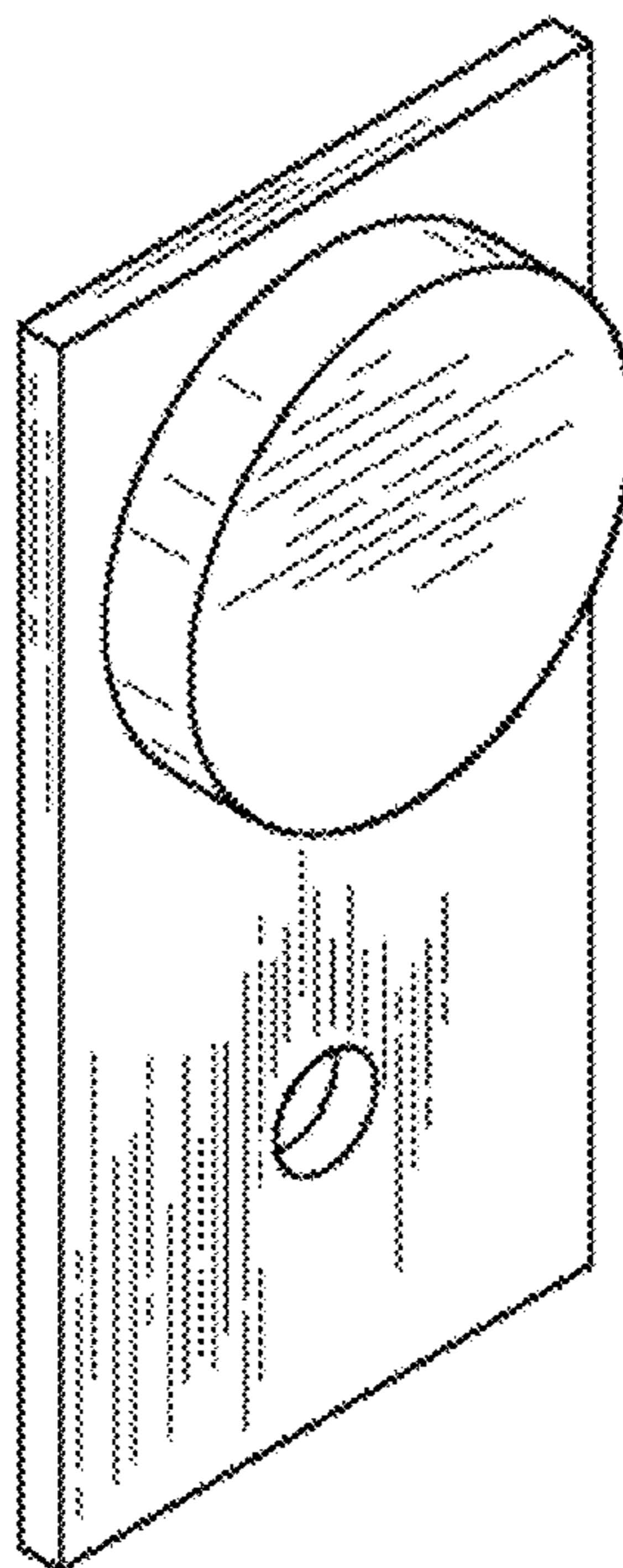
(57) **CLAIM**

The ornamental design for a magnetic quilt hanger, as shown and described.

DESCRIPTION

FIG. 1 is a front perspective view for a magnetic quilt hanger showing my new design;
 FIG. 2 is a top side view thereof;
 FIG. 3 is a right side view thereof;
 FIG. 4 is a rear view thereof;
 FIG. 5 is a left view thereof;
 FIG. 6 is an upper view thereof;
 FIG. 7 is a lower view thereof;
 FIG. 8 is a left sectional view taken along lines 8-8 from FIG. 4 thereof; and,
 FIG. 9 is a front perspective view thereof shown in an environment of use.
 The broken lines in FIG. 9 depict environmental subject matter of additional magnetic quilt hangers, a rod and a quilt used with the invention and form no part of the claimed design.

1 Claim, 3 Drawing Sheets



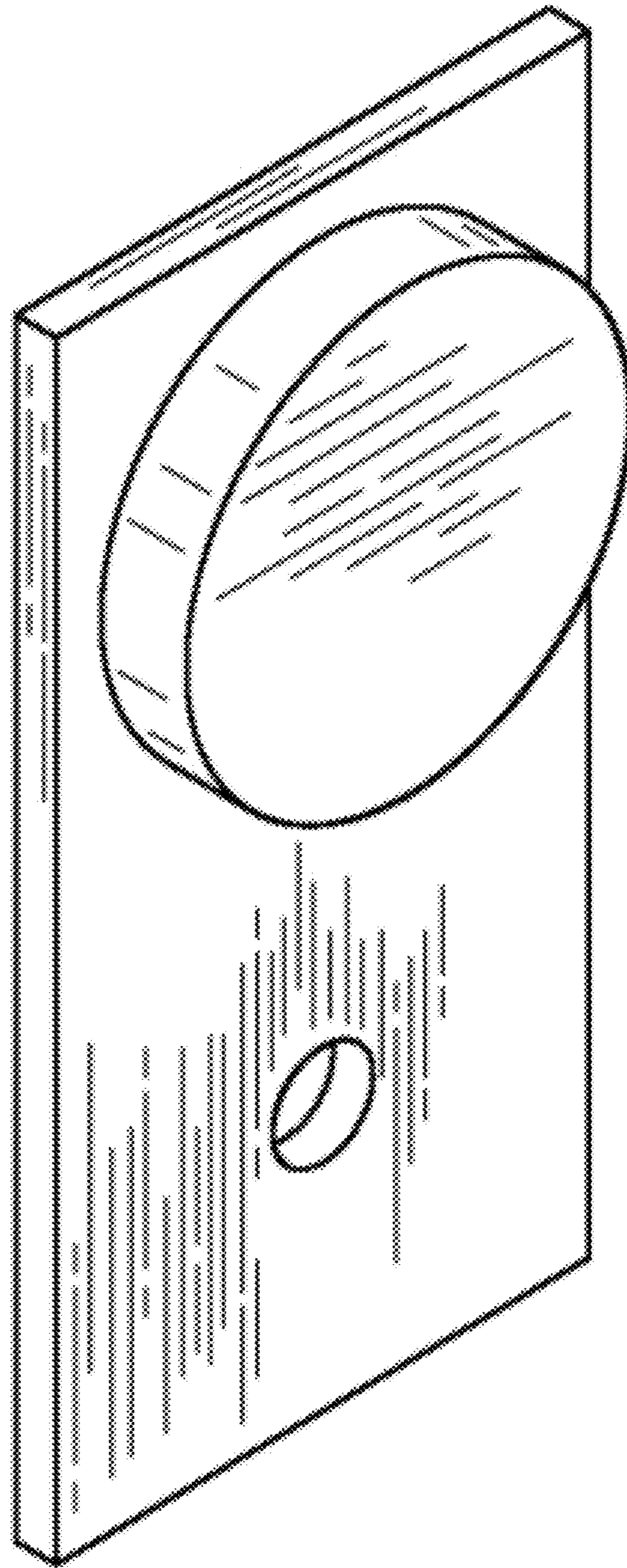


FIG. 1

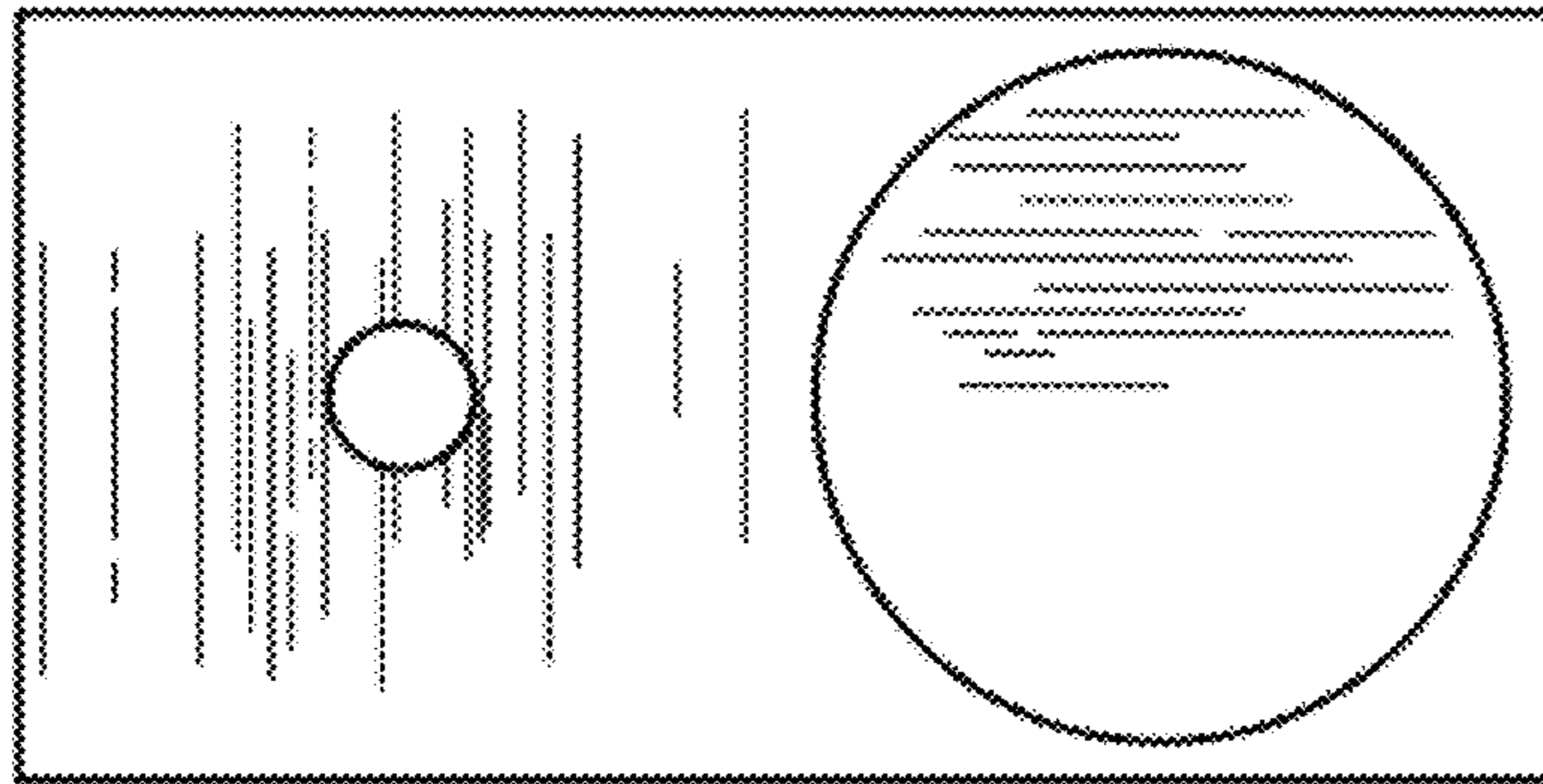


FIG. 2



FIG. 3

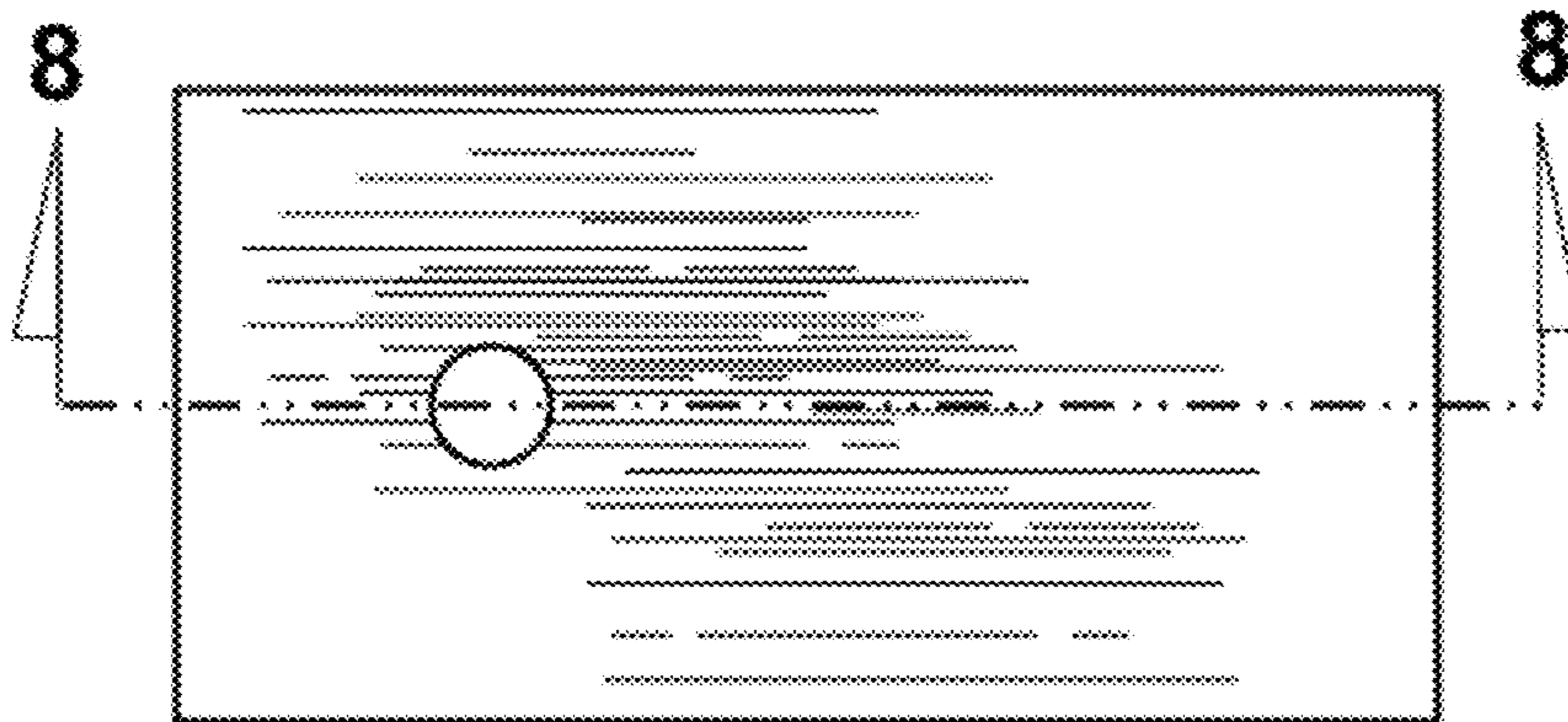


FIG. 4

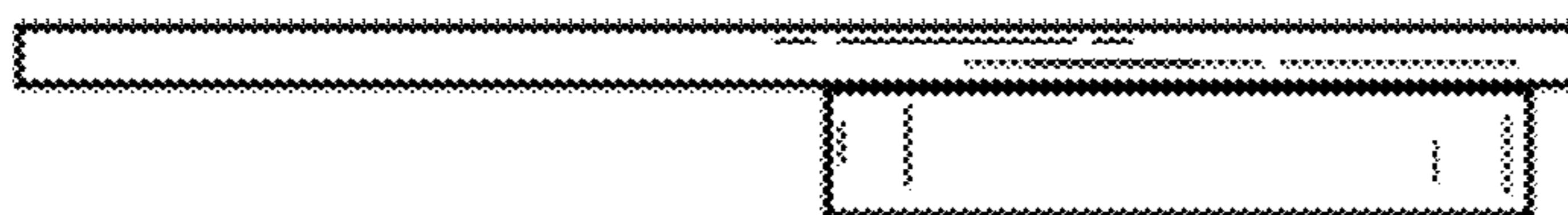


FIG. 5



FIG. 6



FIG. 7



FIG. 8

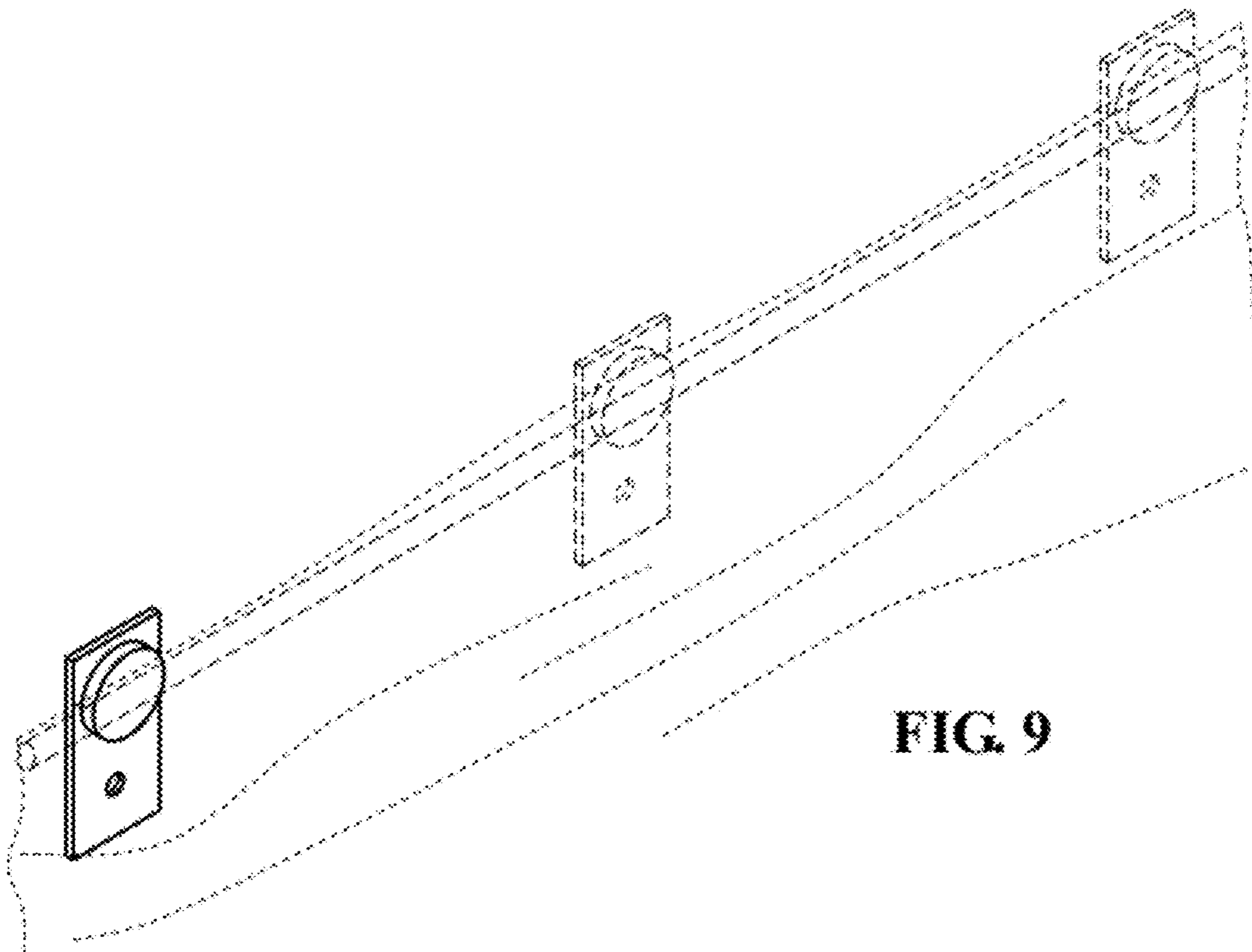


FIG. 9