

US00D668073S

(12) **United States Design Patent**
Seitz

(10) **Patent No.:** **US D668,073 S**

(45) **Date of Patent:** **** Oct. 2, 2012**

(54) **BED**

(75) Inventor: **Terry Seitz**, Boca Grande, FL (US)

(73) Assignee: **Woodbrook Designs, Inc.**, Englewood, FL (US)

(**) Term: **14 Years**

(21) Appl. No.: **29/395,046**

(22) Filed: **Nov. 15, 2011**

(51) **LOC (9) Cl.** **06-02**

(52) **U.S. Cl.** **D6/393**

(58) **Field of Classification Search** D6/382-384,
D6/389, 393-395, 505-508, 361; 5/53.1,
5/907, 2.1, 279.1, 280, 281, 308
See application file for complete search history.

(56) **References Cited**

U.S. PATENT DOCUMENTS

D288,875 S *	3/1987	Magistretti	D6/393
D470,679 S *	2/2003	Lee	D6/384
D525,804 S *	8/2006	Schwartz	D6/393
D545,078 S *	6/2007	Jourdan	D6/393
D596,872 S *	7/2009	Seitz	D6/384

* cited by examiner

Primary Examiner — Janice Seeger

(74) *Attorney, Agent, or Firm* — Schwartz Law Firm, P.C.

(57) **CLAIM**

I claim the ornamental design for a bed, as shown and described.

DESCRIPTION

FIG. 1 is a perspective view of the bed with elements shown in phantom; the elements in phantom forming no part of the claimed design;

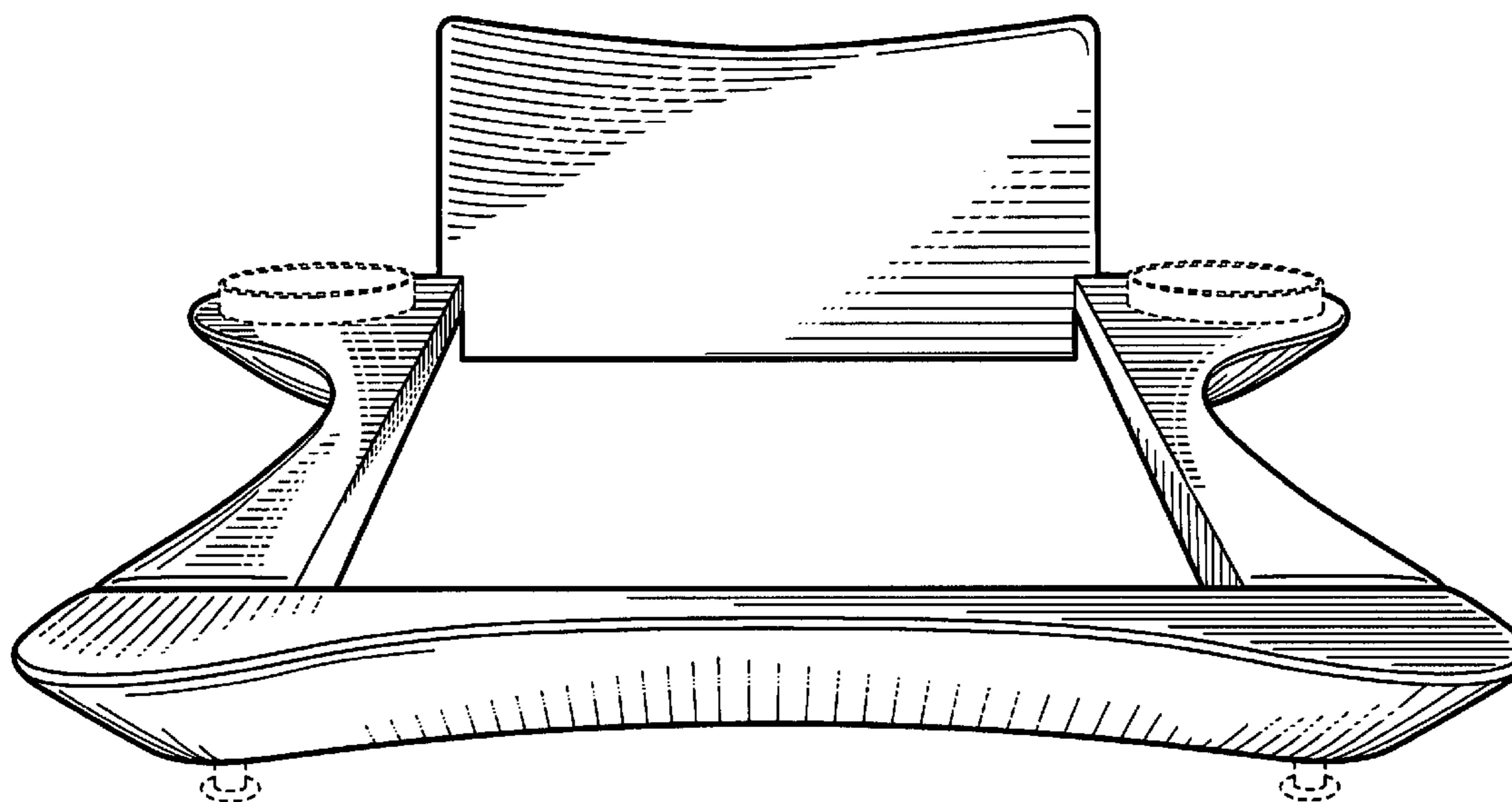
FIG. 2 is a top view of the bed with elements shown in phantom; the elements in phantom forming no part of the claimed design;

FIG. 3 is a front view of the bed with elements shown in phantom; the elements in phantom forming no part of the claimed design;

FIG. 4 is a side view of the bed with elements shown in phantom; the elements in phantom forming no part of the claimed design; and,

FIG. 5 is a back view of the bed with elements shown in phantom; the elements in phantom forming no part of the claimed design.

1 Claim, 3 Drawing Sheets



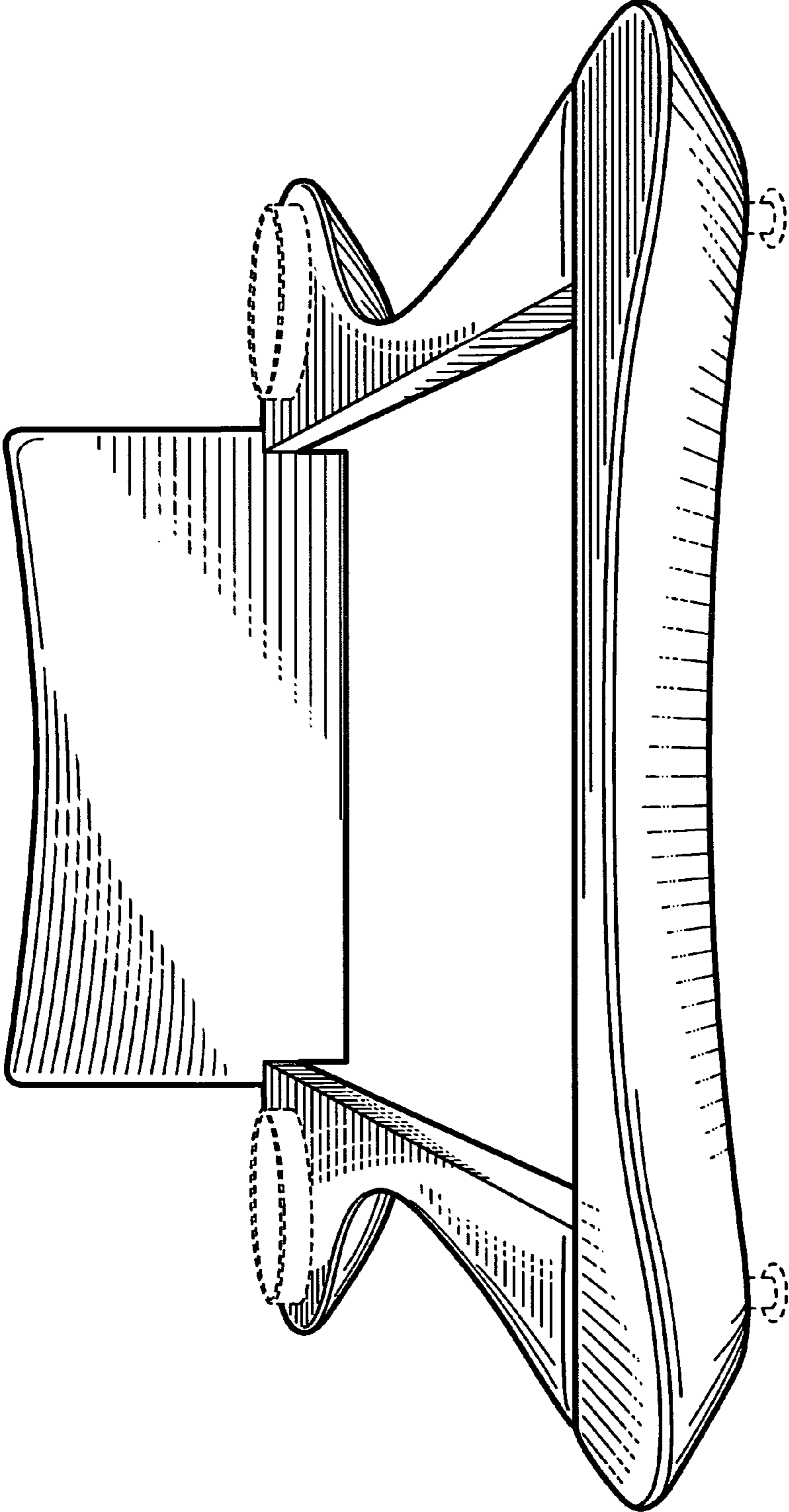
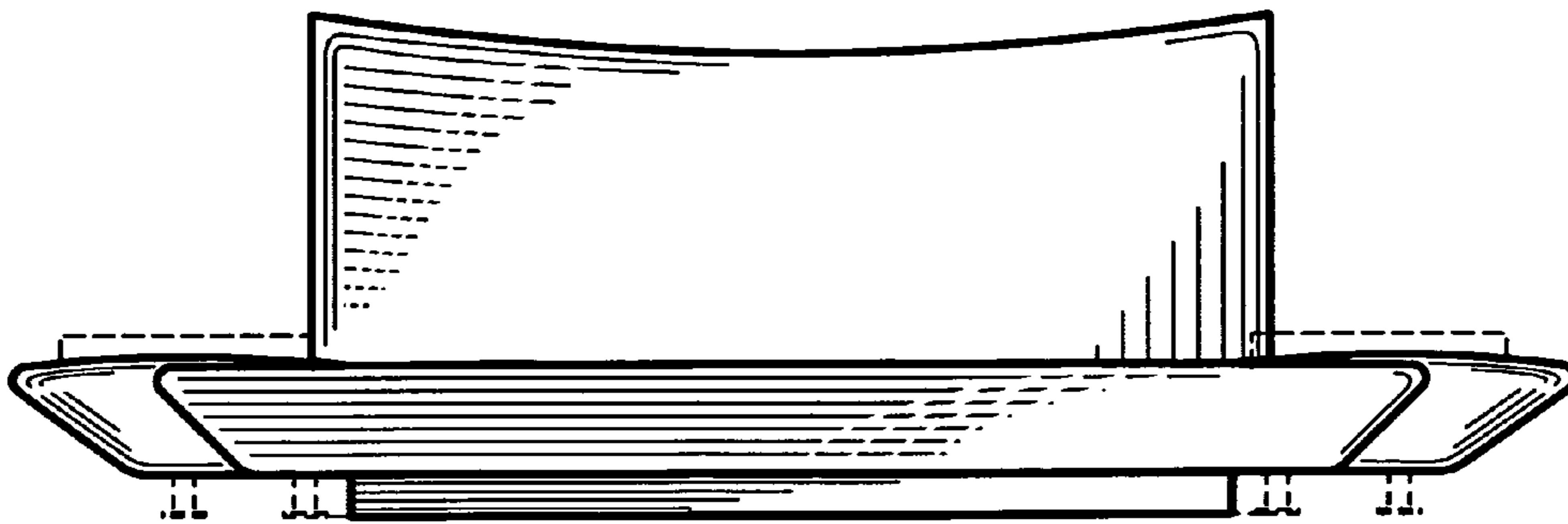
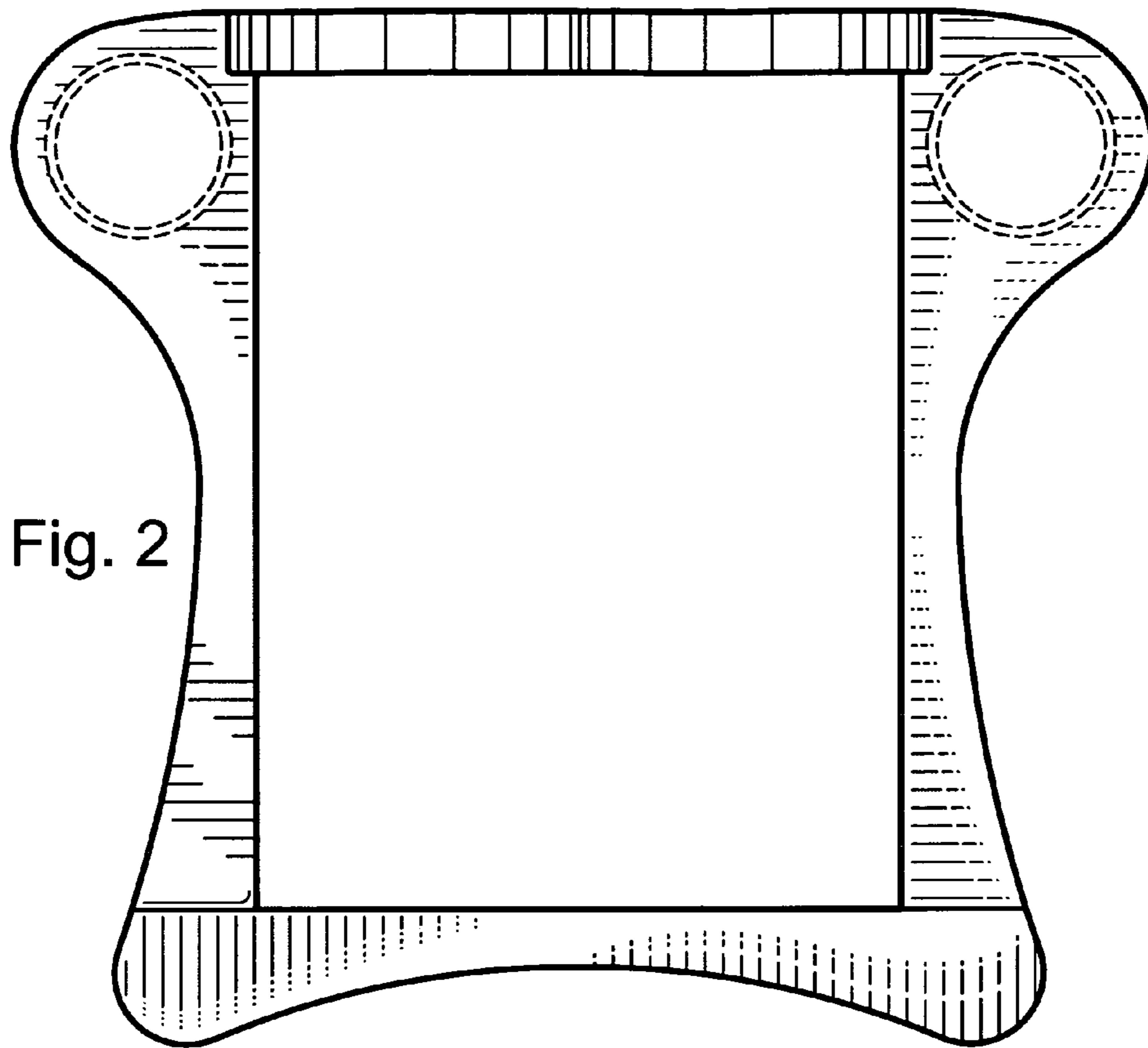


Fig. 1



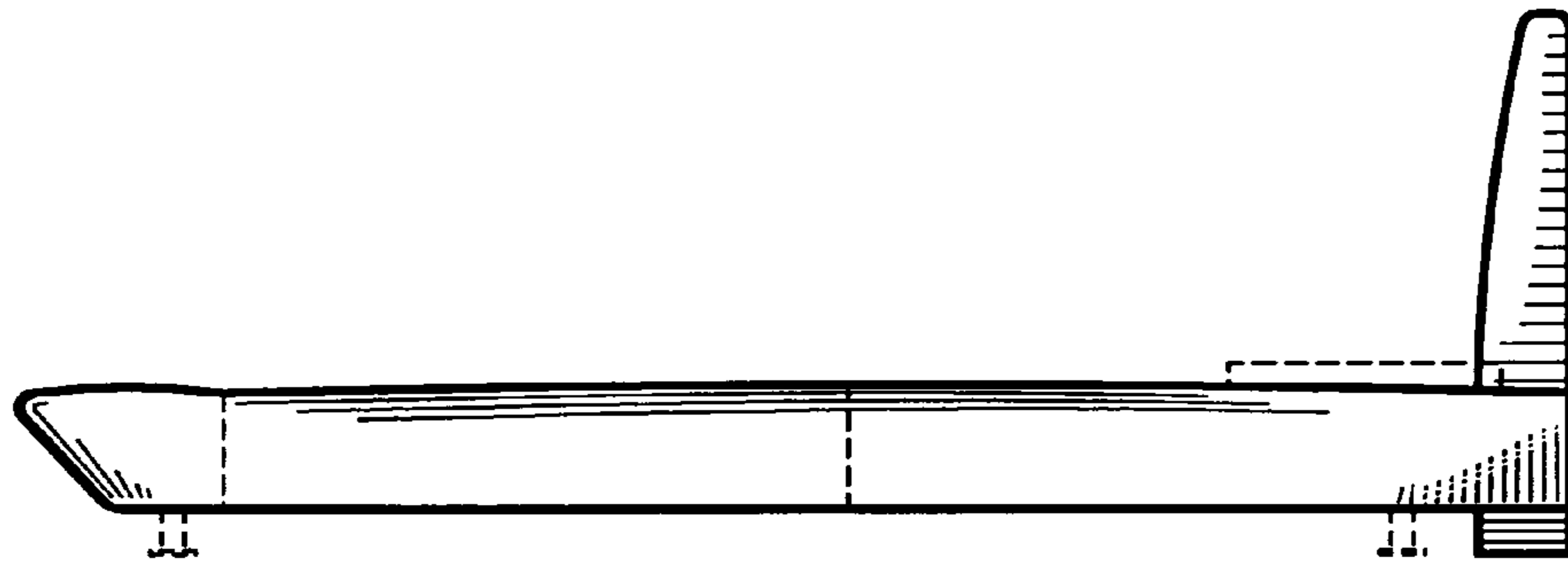


Fig. 4

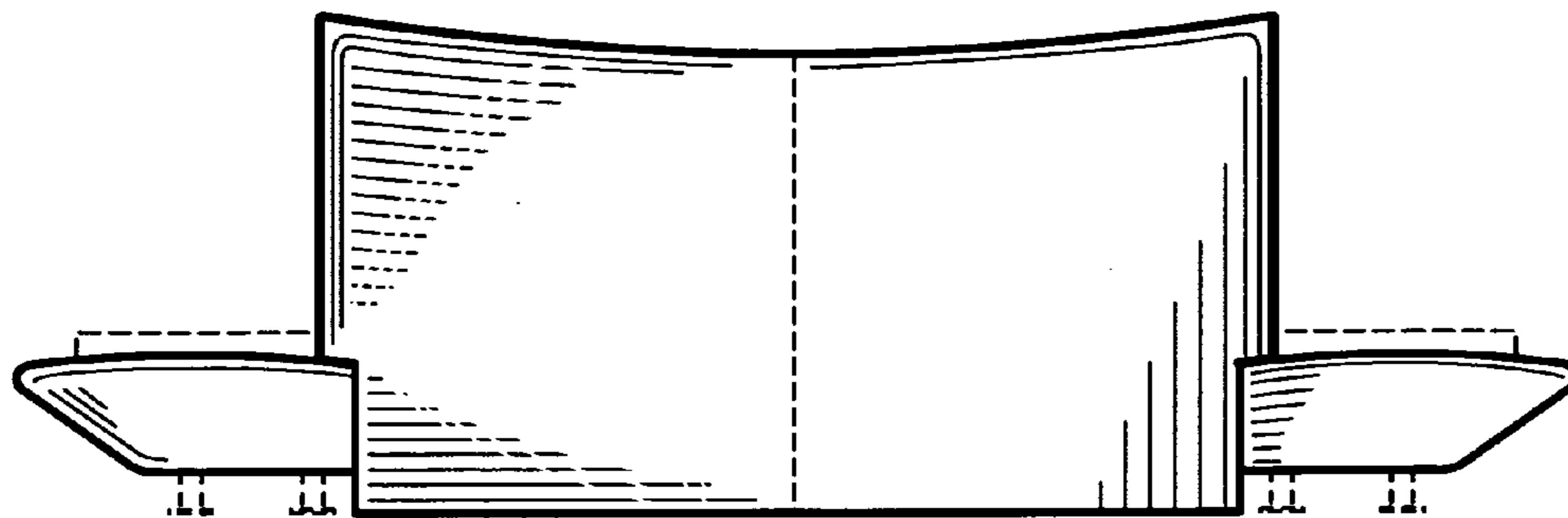


Fig. 5