



US00D668071S

(12) **United States Design Patent**
Pedersen et al.

(10) **Patent No.:** **US D668,071 S**
(45) **Date of Patent:** **** Oct. 2, 2012**

(54) **CHAISE**

(75) Inventors: **Sara L. Pedersen**, Minneapolis, MN (US); **Stephanie A. Grotta**, Minneapolis, MN (US); **Joshua A. Hughes**, Delano, MN (US); **Zheng Gao**, Jiashan (CN); **Pan Liangzhang**, Jiashan (CN)

(73) Assignee: **Target Brands, Inc.**, Minneapolis, MN (US)

(**) Term: **14 Years**

(21) Appl. No.: **29/409,809**

(22) Filed: **Dec. 29, 2011**

(51) **LOC (9) Cl.** **06-01**

(52) **U.S. Cl.** **D6/361**

(58) **Field of Classification Search** D6/334-336, D6/360-380, 498, 500-502, 601; 297/31, 297/35, 284.4-284.5, 291, 297, 411.2, 411.27-411.29, 297/440.13, 452.13, 452.19, 452.21, 452.29, 297/452.3, 452.56, 452.64
See application file for complete search history.

(56) **References Cited**

U.S. PATENT DOCUMENTS

D166,990 S * 6/1952 O'Neill D6/361
D182,797 S * 5/1958 Ensign D6/361
D279,240 S * 6/1985 Jernigan D6/361

D317,087 S * 5/1991 Frinier D6/361
D329,544 S * 9/1992 Snodgrass D6/361
D336,998 S * 7/1993 Grosfillex D6/361
D344,415 S * 2/1994 Gibbs D6/361
D354,404 S * 1/1995 Greene D6/361
D437,700 S * 2/2001 Tyler D6/361
D443,768 S * 6/2001 Vertongen D6/361
D514,336 S * 2/2006 Spector et al. D6/361

OTHER PUBLICATIONS

Thos. Baker, "Hedges Chaise Lounge," 1 page, <http://www.thosbaker.com/hedges-chaise-lounge?sc=21&category=33292> (last visited Dec. 28, 2011).

* cited by examiner

Primary Examiner — Ricky Pham

(74) *Attorney, Agent, or Firm* — Leanne Taveggia Farrell; Westman, Champlin & Kelly, P.A.

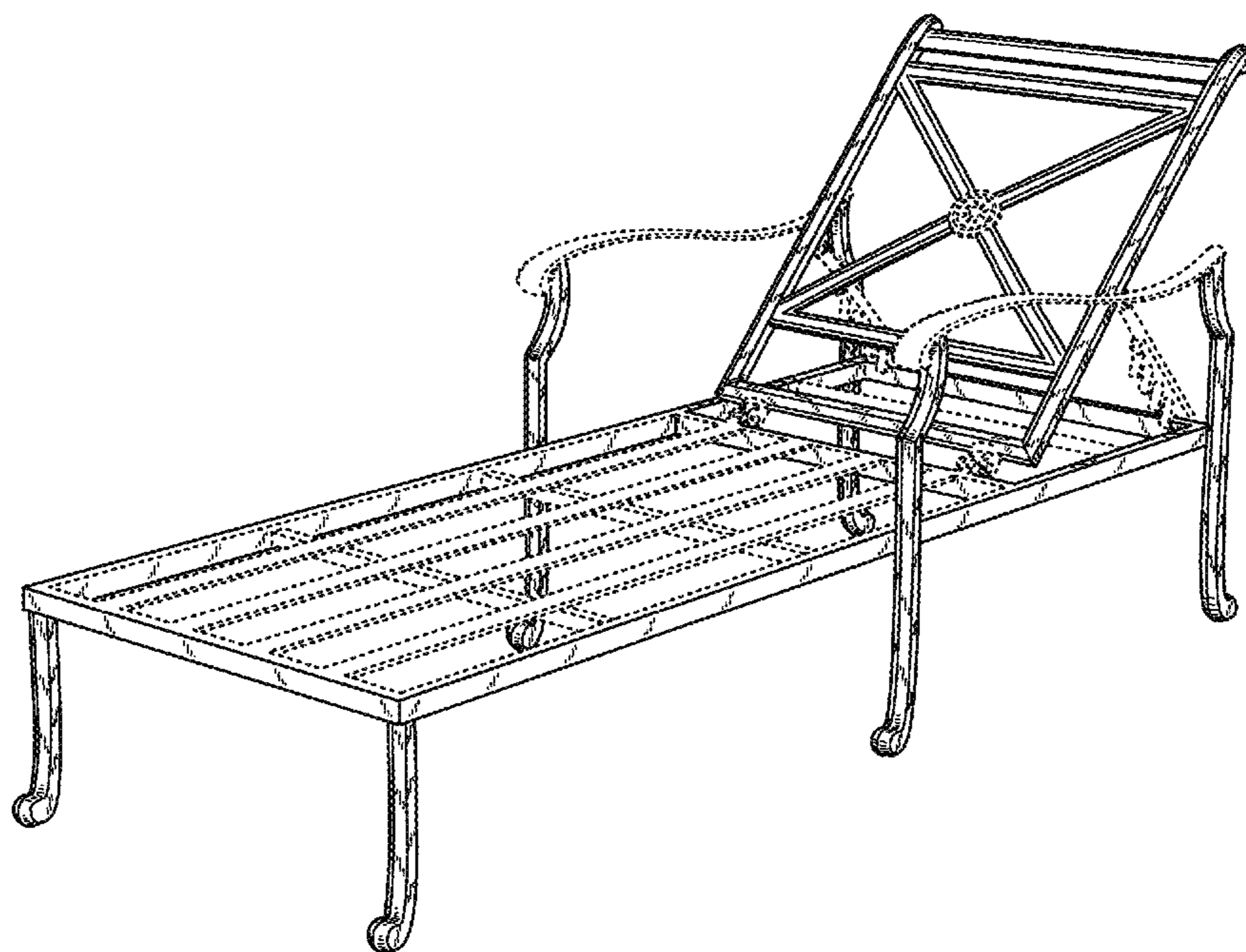
(57) **CLAIM**

The ornamental design for a chaise, as shown and described.

DESCRIPTION

FIG. 1 is a perspective view of the chaise;
FIG. 2 is a front view thereof;
FIG. 3 is a rear view thereof;
FIG. 4 is a right side view thereof;
FIG. 5 is a left side view thereof;
FIG. 6 is a top view thereof; and,
FIG. 7 is a bottom view thereof.
The broken lines illustrated in FIGS. 1-7 form no part of the claimed design.

1 Claim, 6 Drawing Sheets



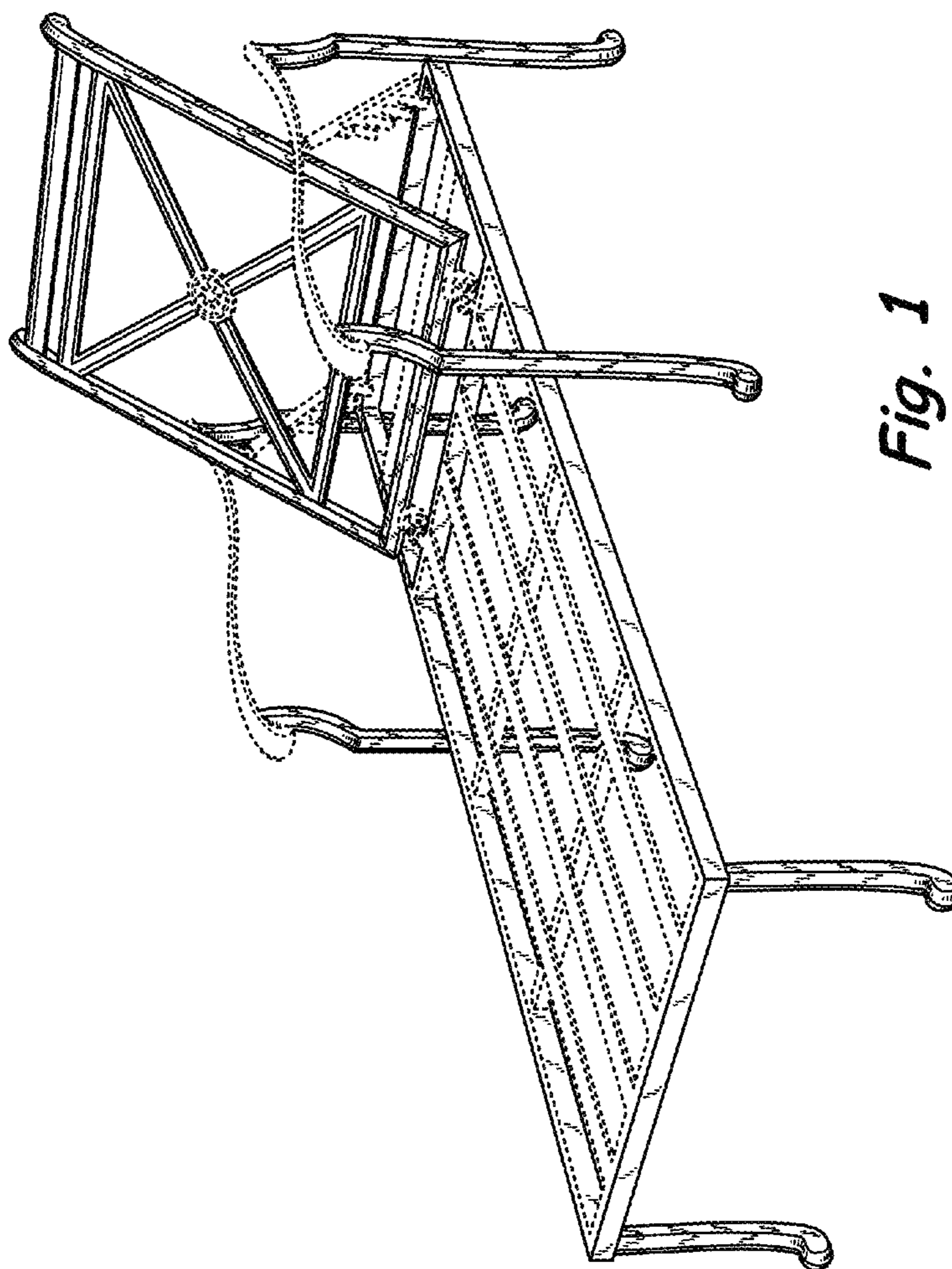


Fig. 1

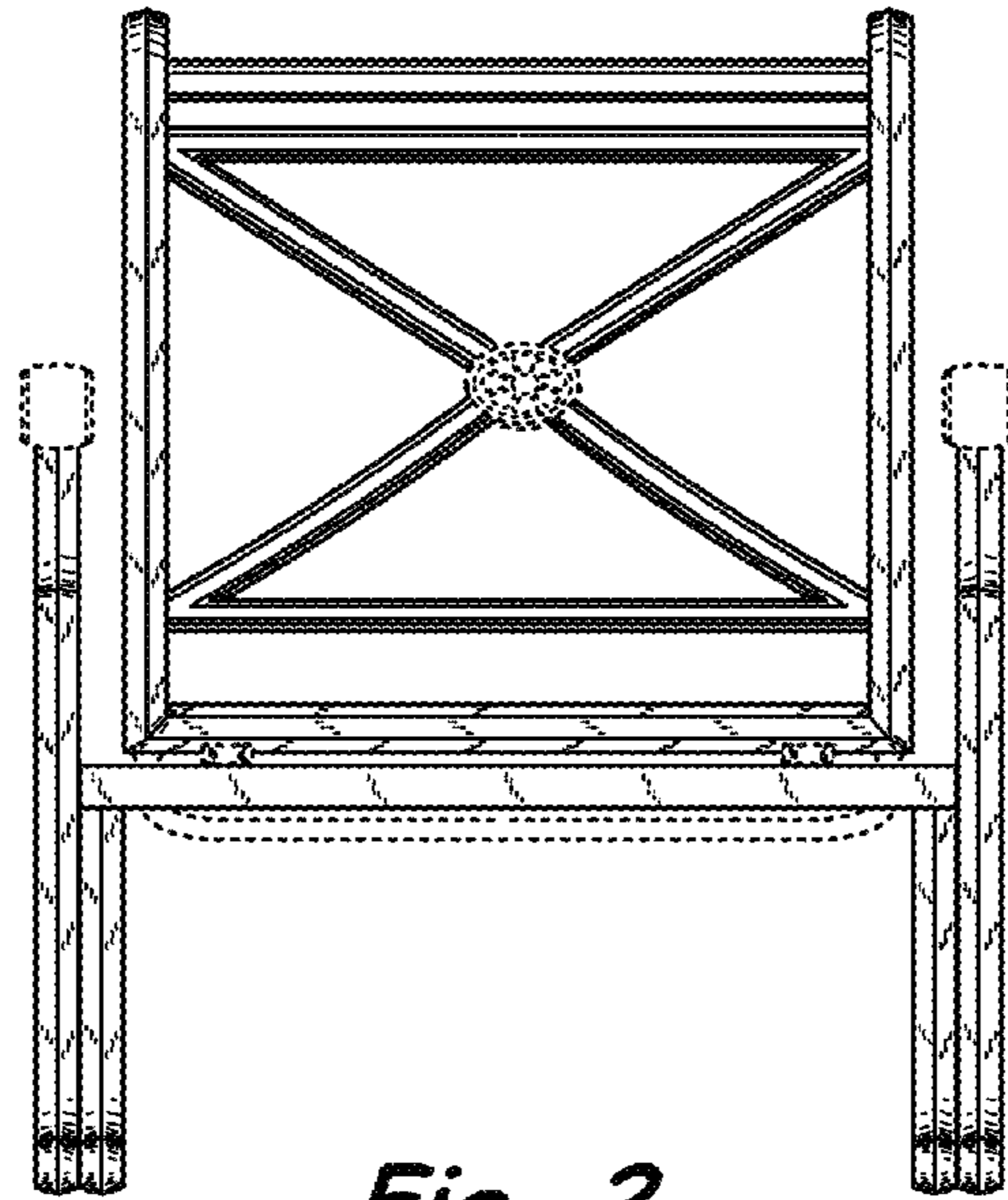


Fig. 2

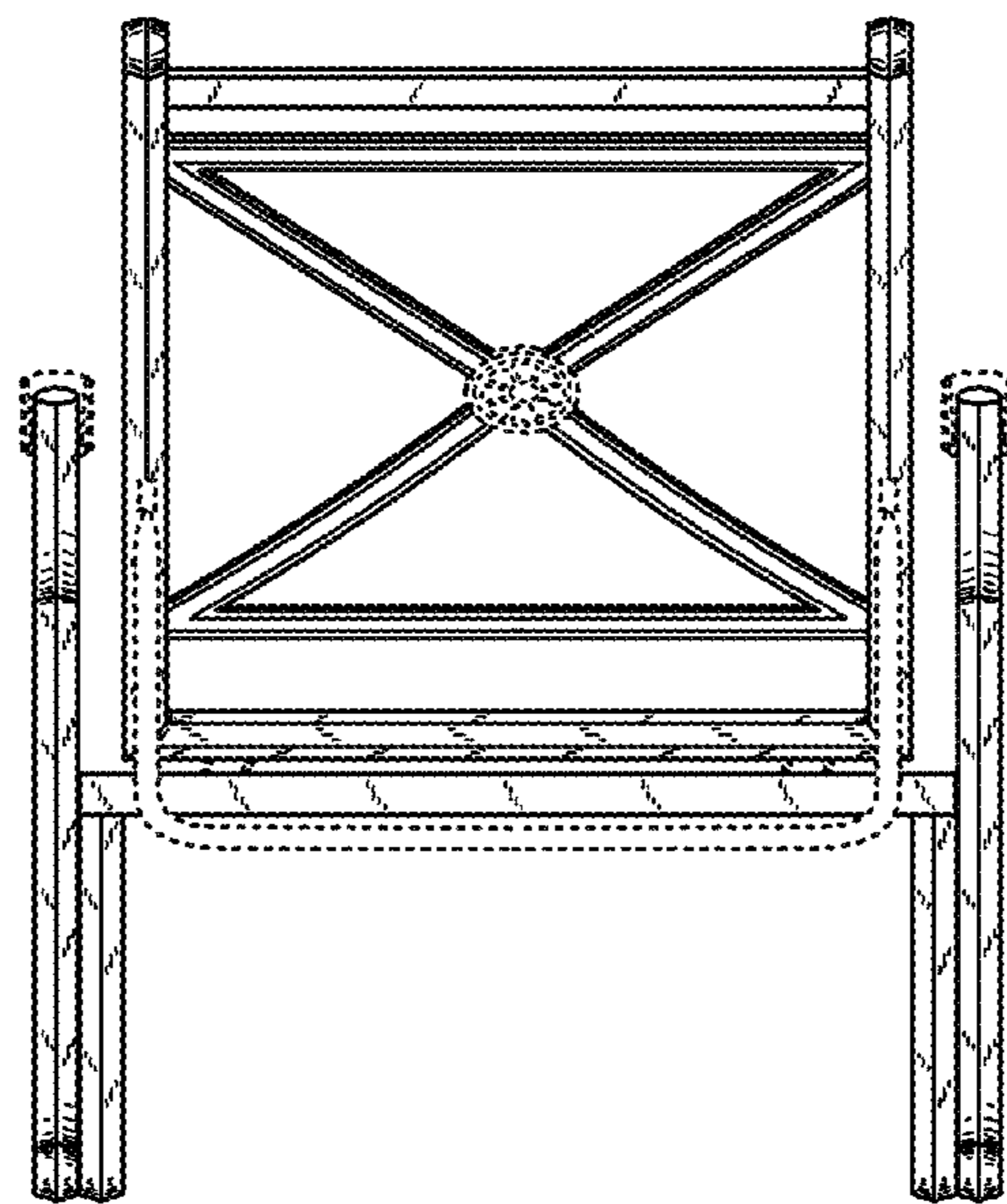


Fig. 3

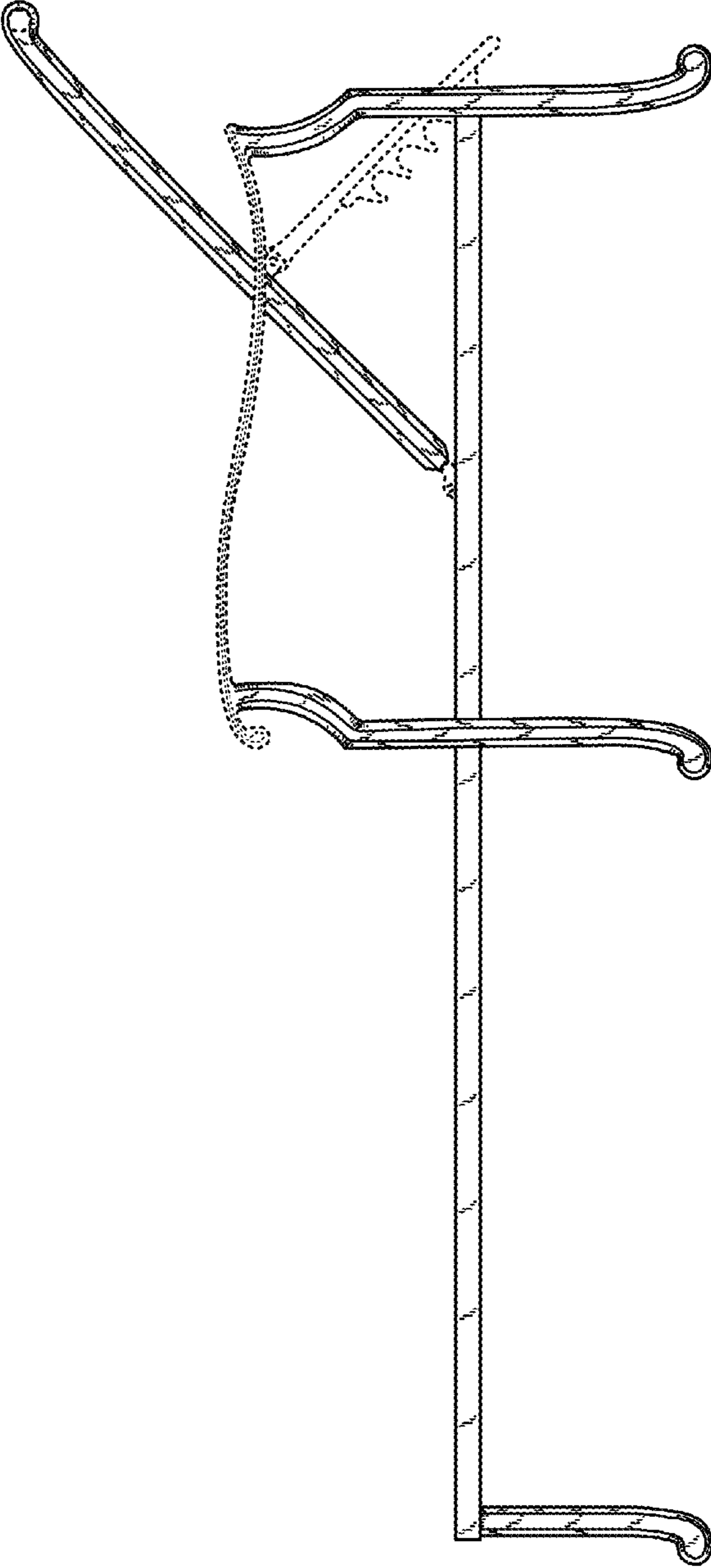


Fig. 4

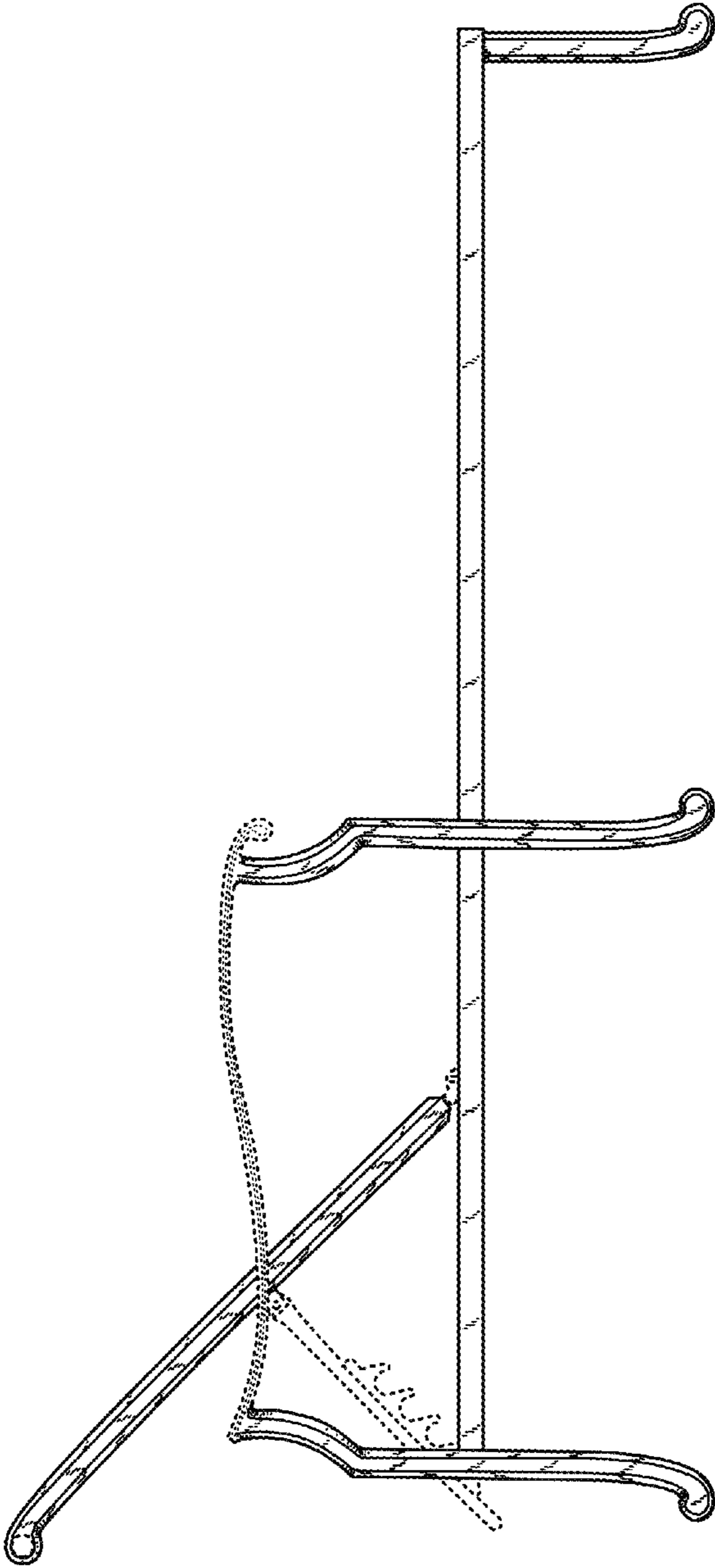


Fig. 5

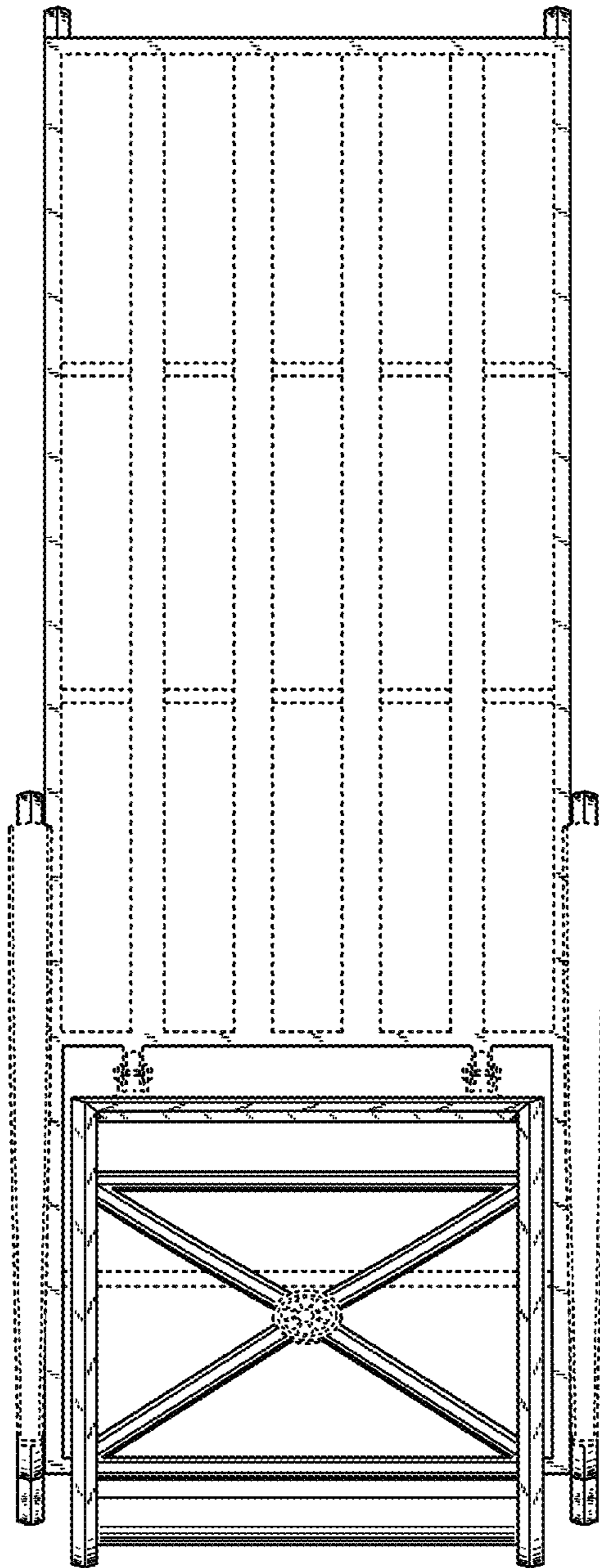


Fig. 6

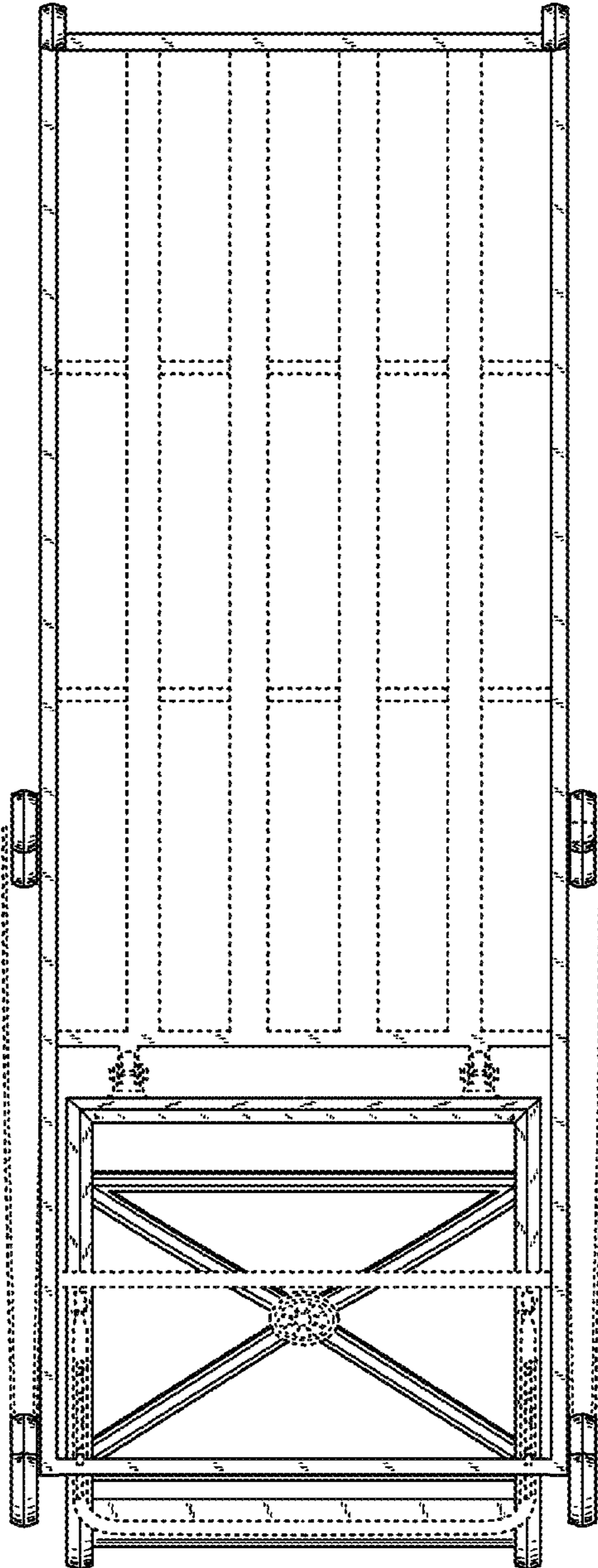


Fig. 7