

US00D668070S

(12) **United States Design Patent**
Kim

(10) **Patent No.:** **US D668,070 S**

(45) **Date of Patent:** **** Oct. 2, 2012**

(54) **FOLDABLE CHAIR**

(76) Inventor: **Se Yun Kim**, Seoul (KR)

(**) Term: **14 Years**

(21) Appl. No.: **29/417,091**

(22) Filed: **Mar. 29, 2012**

(30) **Foreign Application Priority Data**

Oct. 6, 2011 (KR) 30-2011-0041337

(51) **LOC (9) Cl.** **06-01**

(52) **U.S. Cl.** **D6/353**

(58) **Field of Classification Search** D6/335,
D6/340, 349-355, 495, 500-502; 297/16.1,
297/175, 187, 195.1, 423.1, 423.11, 423.14,
297/423.16, 461, 462

See application file for complete search history.

(56) **References Cited**

U.S. PATENT DOCUMENTS

3,099,398 A * 7/1963 Croteau 362/131
4,630,861 A * 12/1986 Henschel 297/44
D301,249 S * 5/1989 Olson D16/244

D382,113 S * 8/1997 DuRapau D3/274
D554,875 S * 11/2007 Emert D6/353
D579,680 S * 11/2008 Emert D6/353
D609,927 S * 2/2010 Floer D6/350
D639,080 S * 6/2011 van der Lande D6/353
D644,032 S * 8/2011 Eveleth D6/353

* cited by examiner

Primary Examiner — Sandra Snapp

(74) *Attorney, Agent, or Firm* — Sherr & Jiang, PLLC

(57) **CLAIM**

The ornamental design for a “foldable chair,” as shown and described.

DESCRIPTION

FIG. 1 is a perspective view of flodable chair showing my new design;

FIG. 2 is a front elevational view thereof;

FIG. 3 is a back elevational view thereof;

FIG. 4 is a left side elevational view thereof;

FIG. 5 is a right side elevational view thereof;

FIG. 6 is a top view thereof;

FIG. 7 is a bottom view thereof; and,

FIG. 8 is a reference view (a rear perspective view) thereof.

1 Claim, 8 Drawing Sheets

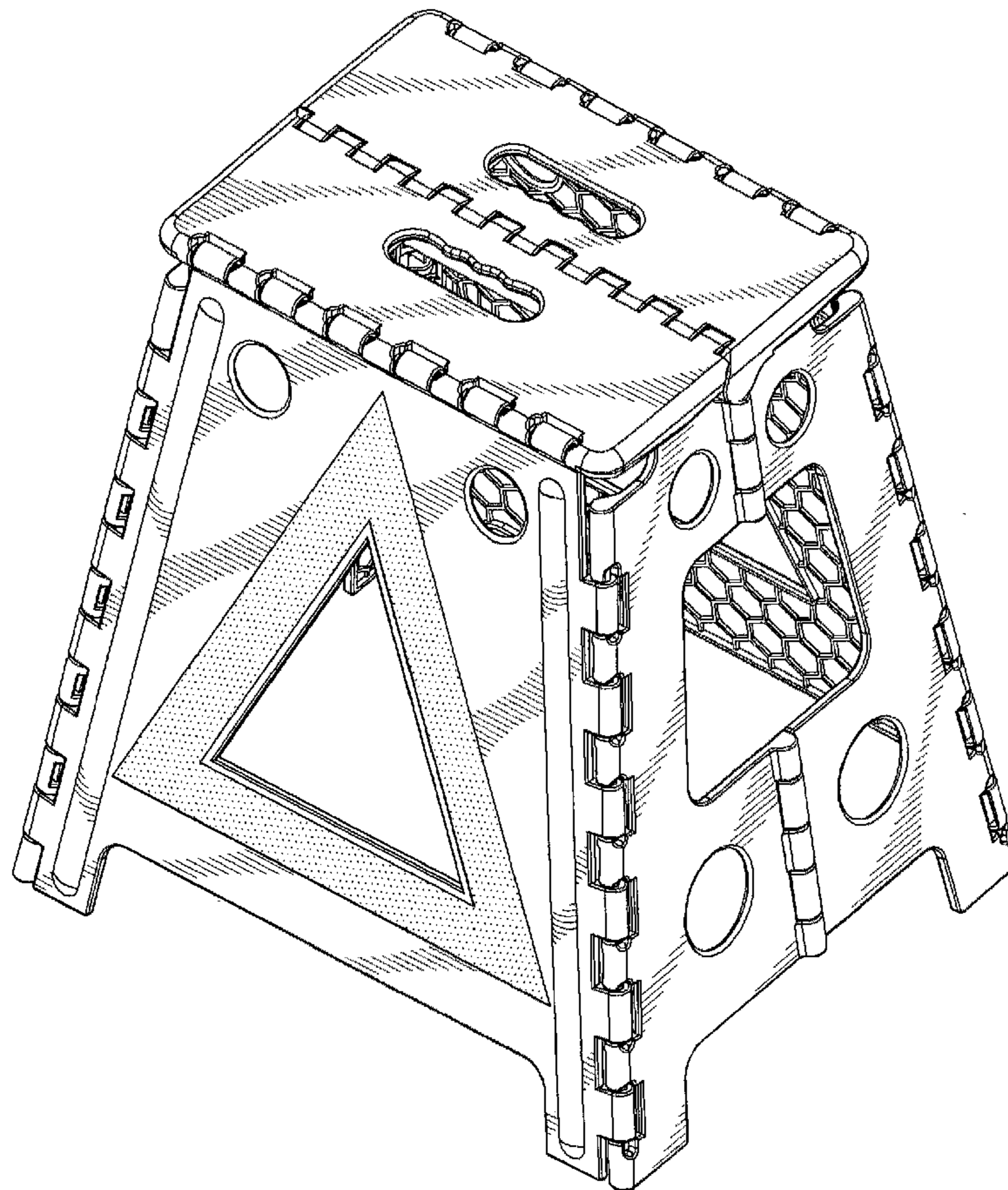


FIG. 1

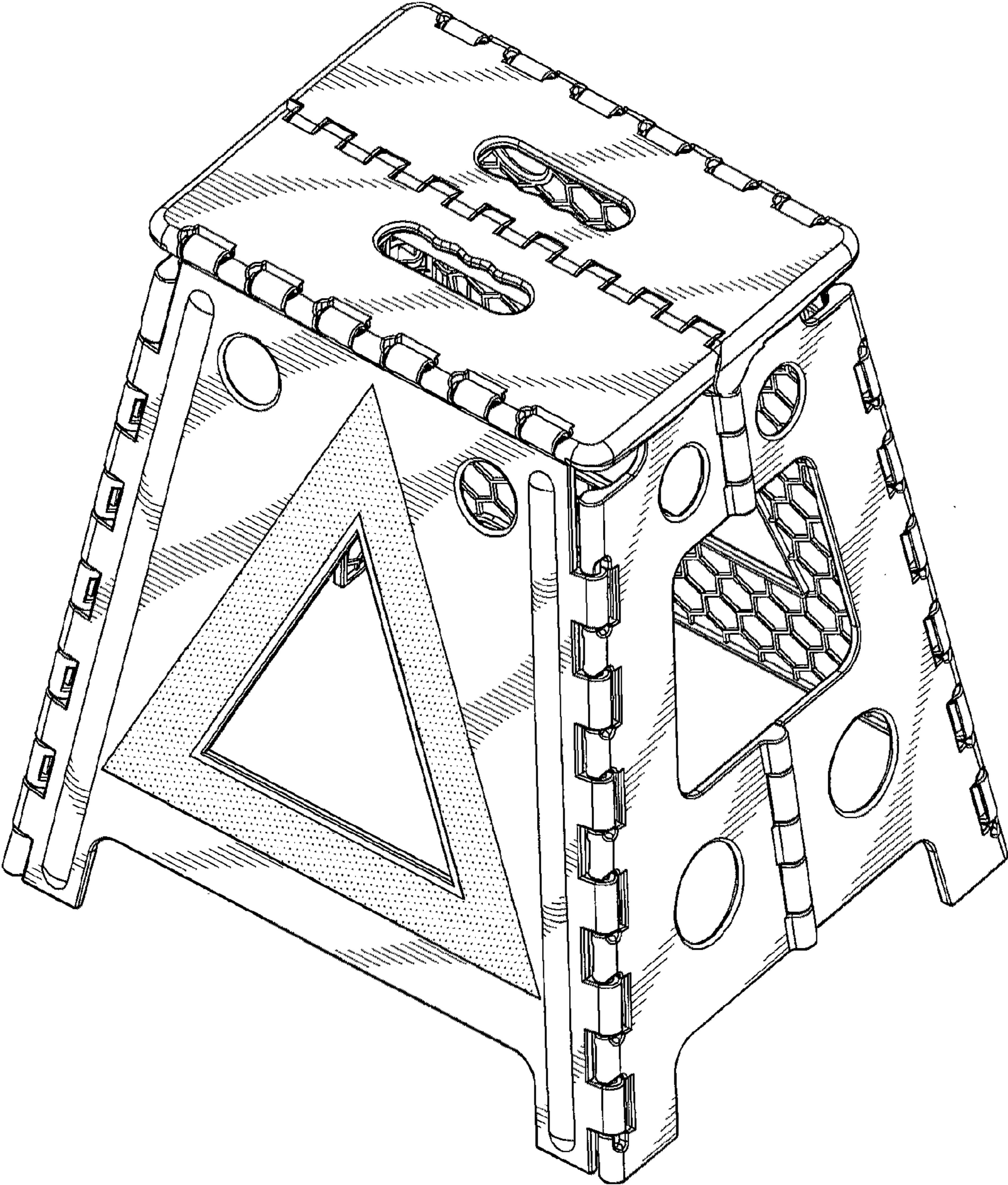


FIG. 2

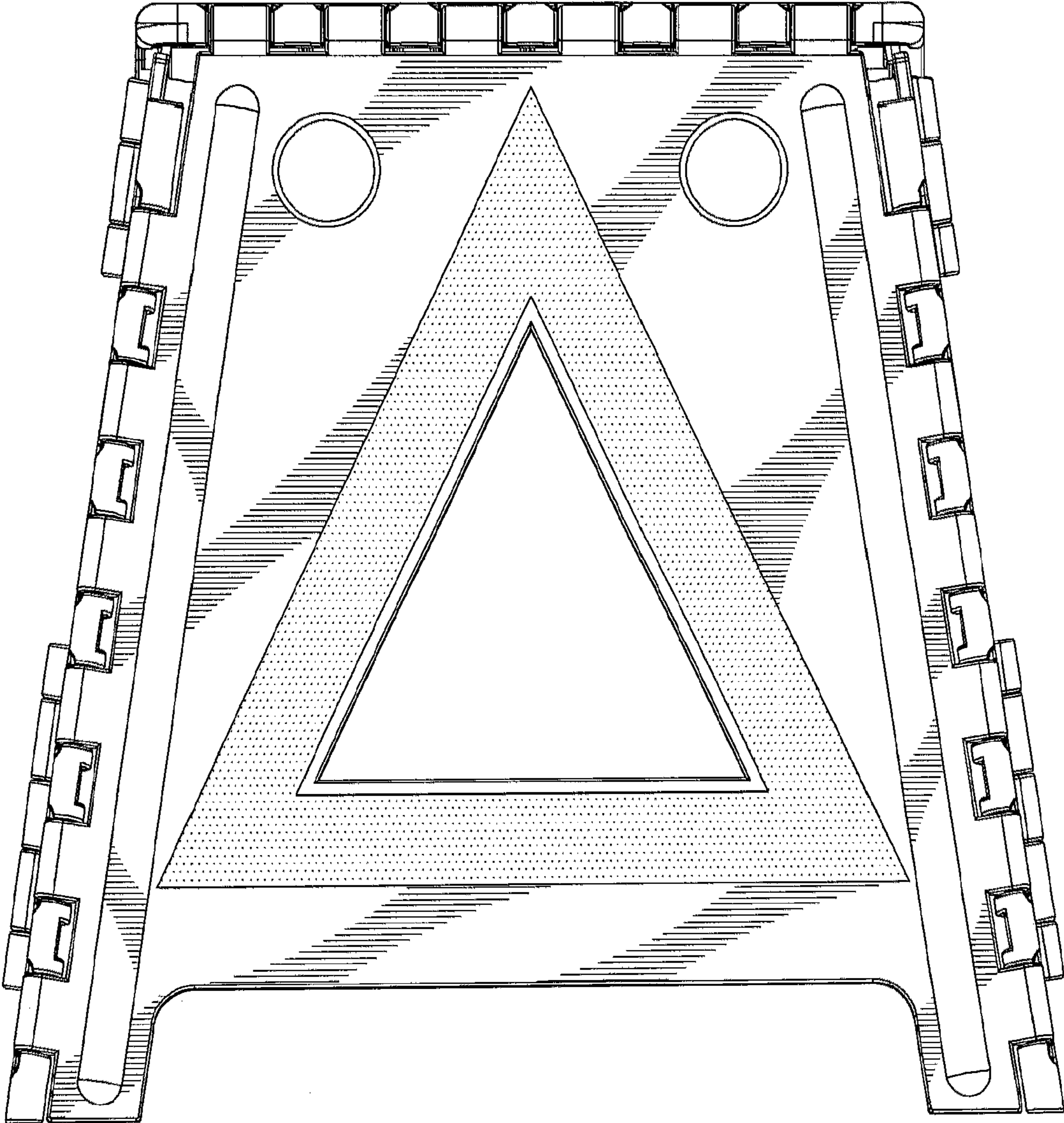


FIG. 3

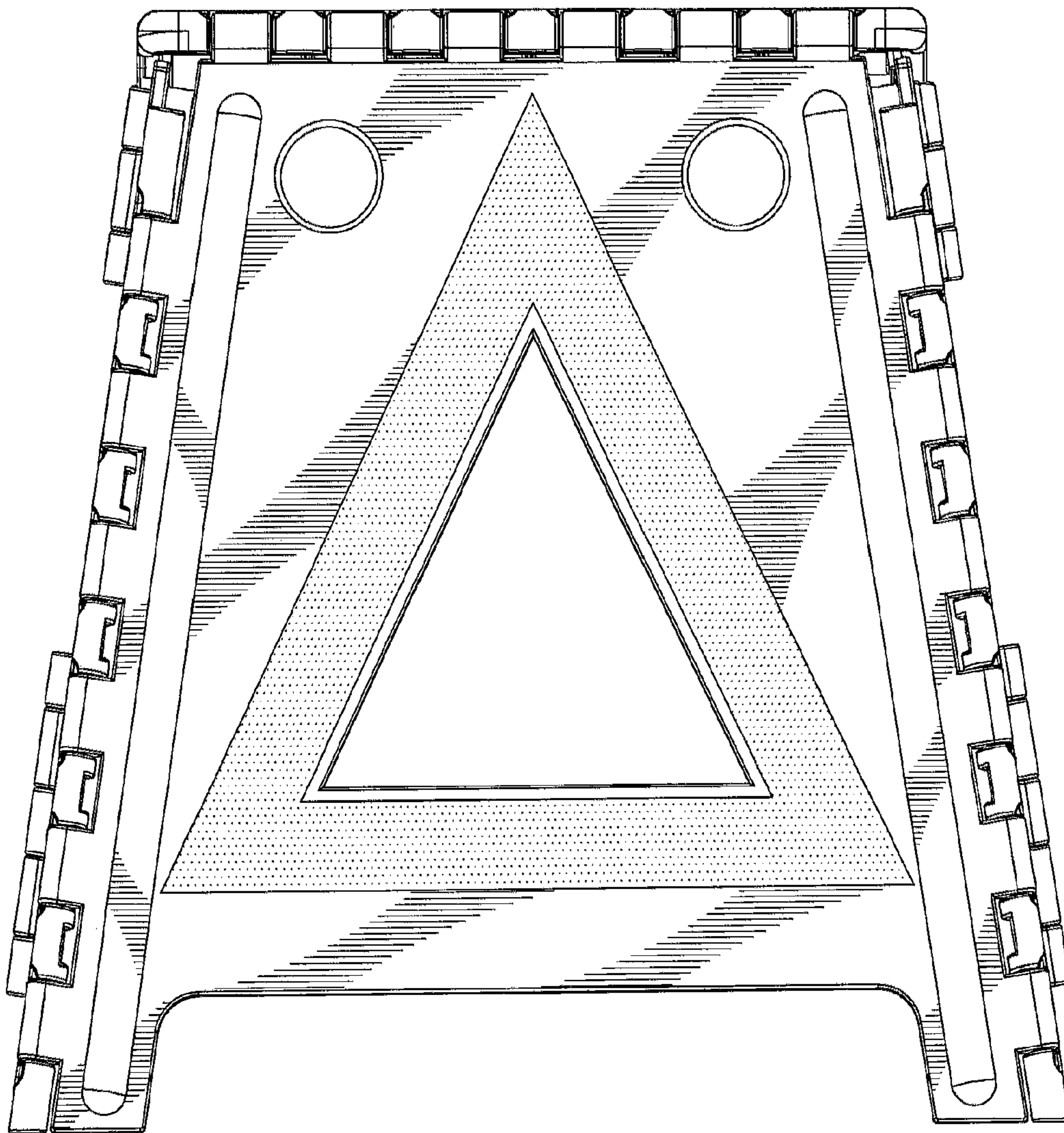


FIG. 4

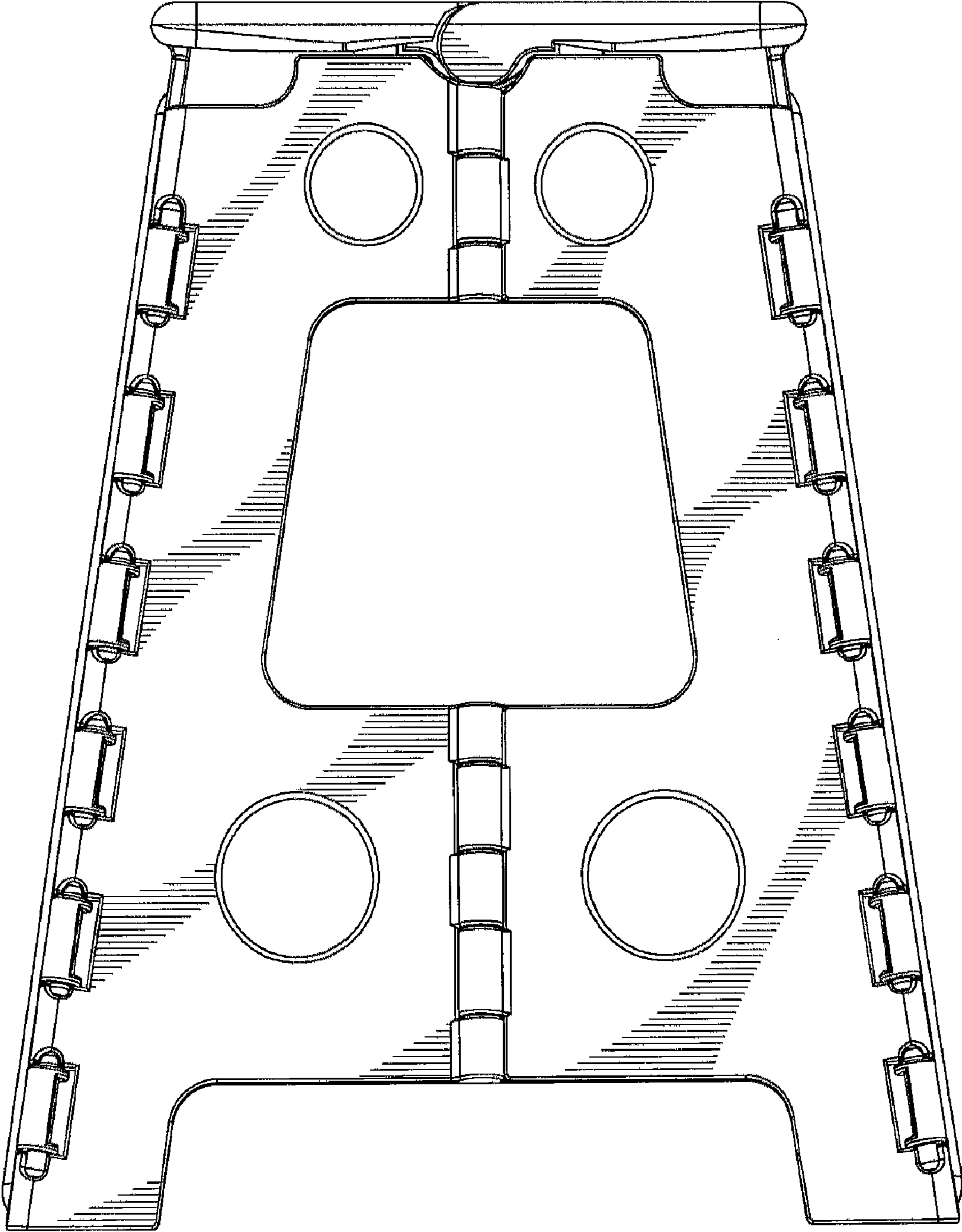


FIG. 5

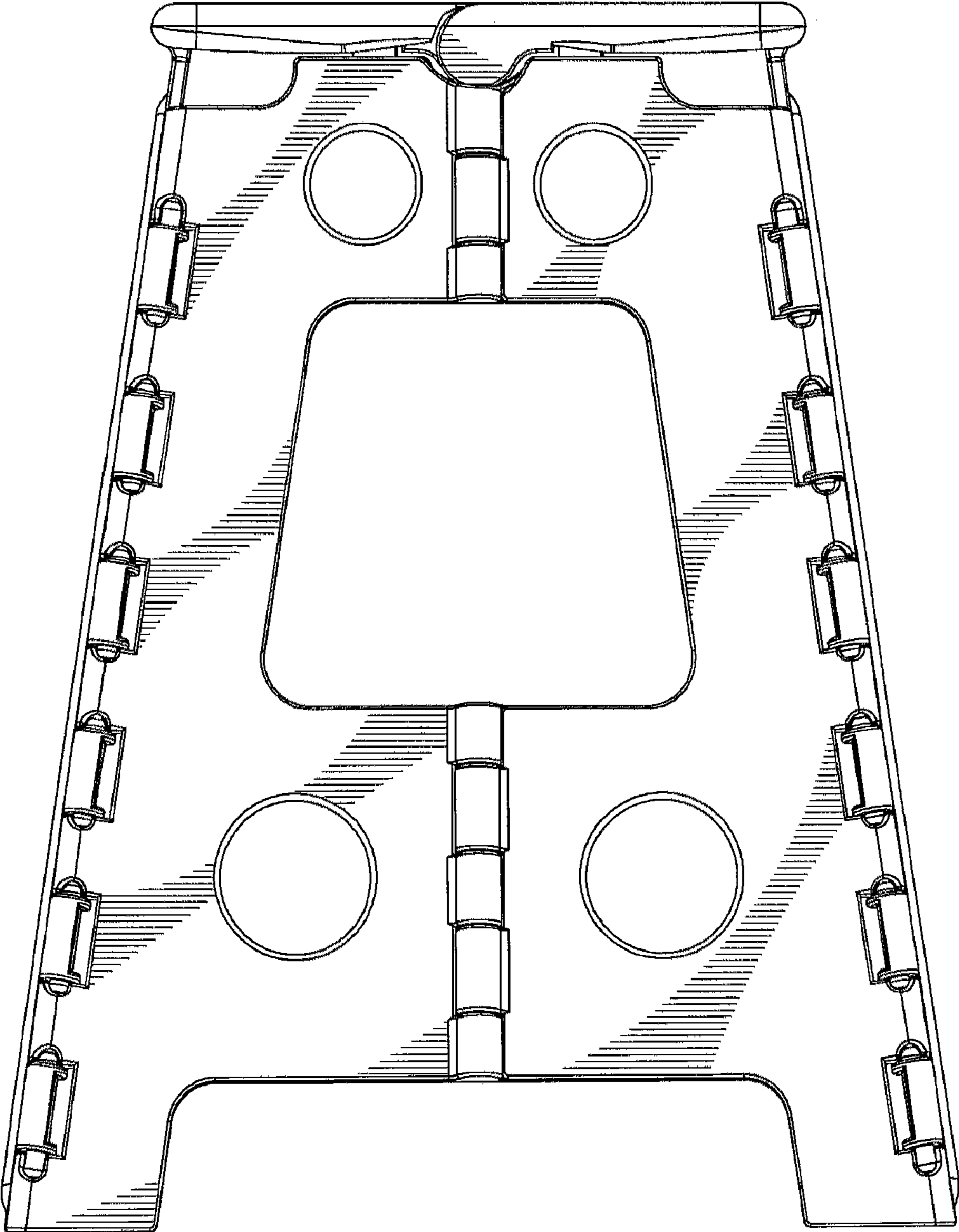


FIG. 6

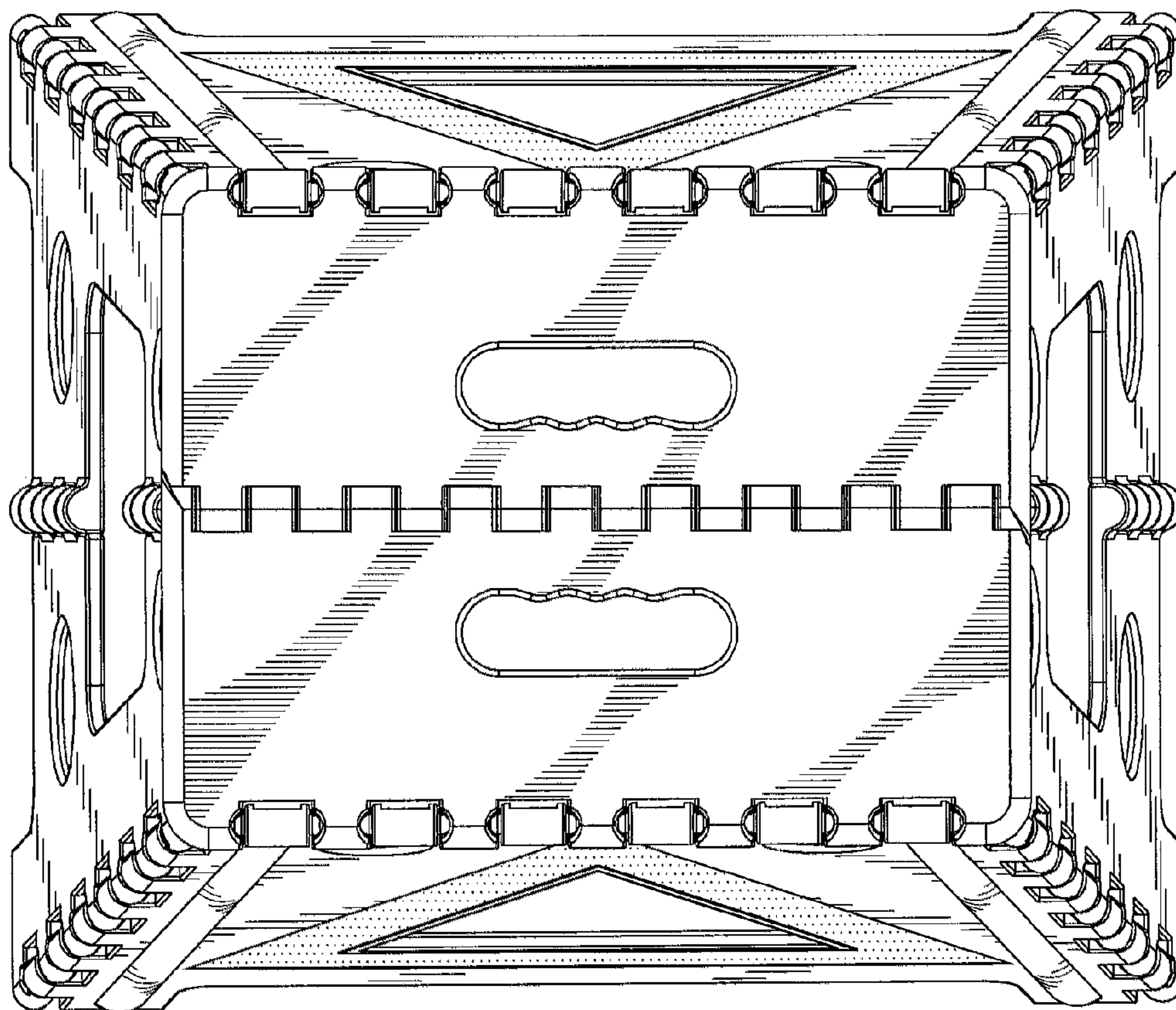


FIG. 7

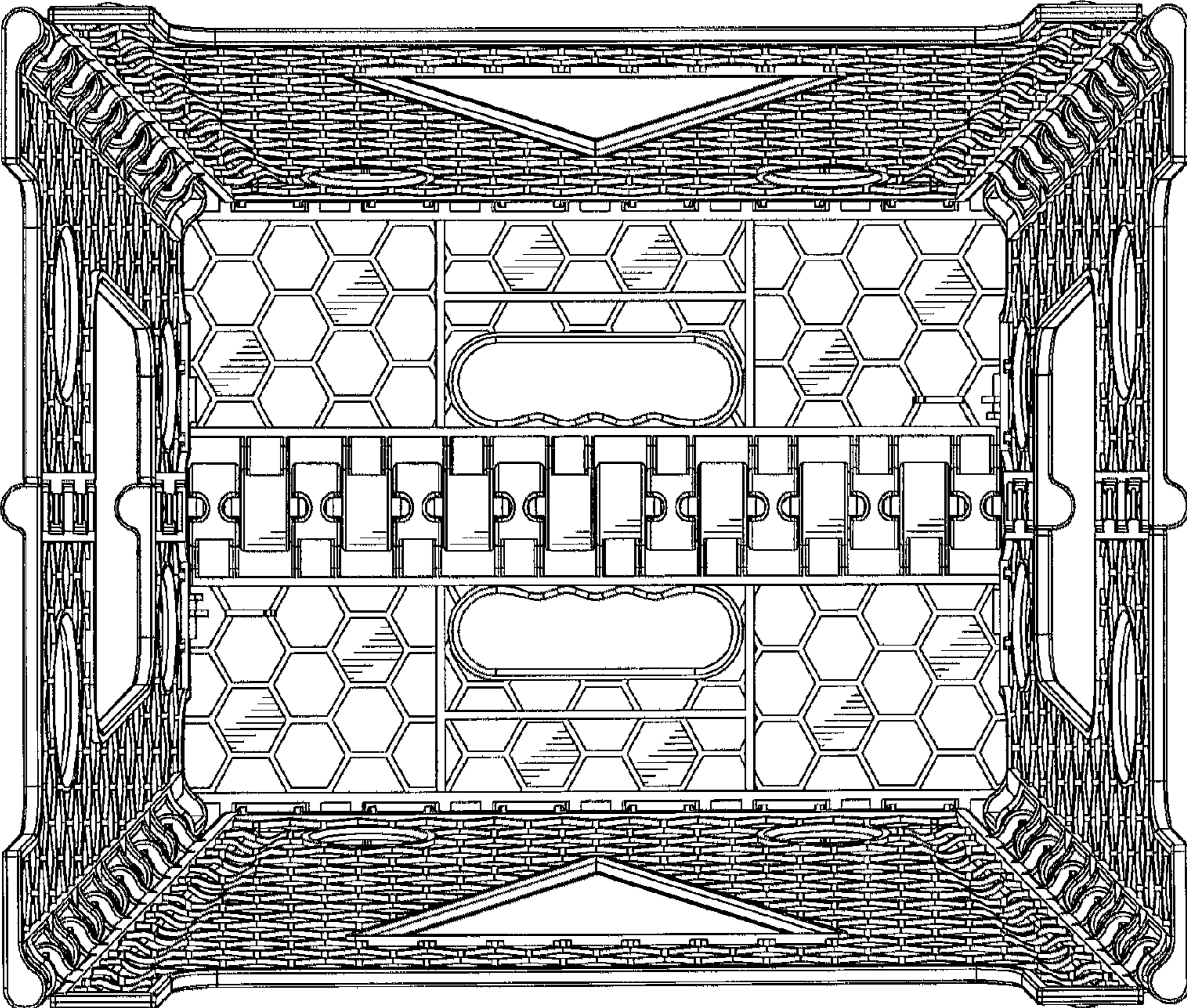


FIG. 8

