



US00D668055S

(12) **United States Design Patent**  
**Khubani**

(10) **Patent No.:** **US D668,055 S**

(45) **Date of Patent:** **\*\* Oct. 2, 2012**

(54) **HAIR DETANGLER**

(75) Inventor: **Raj Khubani**, Closter, NJ (US)

(73) Assignee: **Telebrands Corp.**, Fairfield, NJ (US)

(\*\*) Term: **14 Years**

(21) Appl. No.: **29/394,212**

(22) Filed: **Jun. 14, 2011**

(51) **LOC (9) Cl.** ..... **04-02**

(52) **U.S. Cl.** ..... **D4/130; D4/136**

(58) **Field of Classification Search** ..... D4/117,  
D4/130, 136, 138, 199; D30/158; 119/600,  
119/612, 615, 632, 652, 664; 15/143.1, 159.1,  
15/160, 186-188; D24/211, 214; 601/136,  
601/138; 132/120, 142, 313; D28/25, 28,  
D28/7, 63

See application file for complete search history.

(56) **References Cited**

**U.S. PATENT DOCUMENTS**

172,509	A	1/1876	Shepard	
216,408	A *	6/1879	Hill	15/186
1,957,363	A	5/1934	Snell	
2,052,836	A *	9/1936	Lowy	15/186
D107,435	S *	12/1937	Marder	D4/130
2,238,603	A	4/1941	Runnels	
D132,607	S *	6/1942	Schwartz	D4/130
2,607,064	A	8/1952	Sullivan et al.	
2,783,490	A	5/1957	Kutik	
2,889,567	A	6/1959	Solomon	
3,128,487	A	4/1964	Vallis	
3,151,346	A	10/1964	Gray	
D200,761	S *	4/1965	Hamm	D4/114
3,727,260	A	4/1973	Spydevold	
3,949,765	A	4/1976	Vallis	
4,014,064	A	3/1977	Okazaki	
4,287,898	A	9/1981	Konesky	
4,475,563	A	10/1984	Martin	
4,694,525	A	9/1987	Yamamoto et al.	
5,485,807	A	1/1996	Bertwell et al.	
5,702,195	A	12/1997	Rittenbaum	
5,755,242	A	5/1998	Denebeim	
6,213,055	B1	4/2001	Willinger et al.	

6,308,717	B1	10/2001	Vrtaric	
6,450,127	B2	9/2002	Willinger et al.	
6,543,388	B2	4/2003	Willinger et al.	
7,234,472	B2	6/2007	Ramet	
D576,804	S *	9/2008	Pulfrey	D4/130
7,540,289	B2	6/2009	Habibi	
7,650,893	B2	1/2010	De Laforcade	
D641,171	S *	7/2011	Mor et al.	D4/199
8,042,216	B2 *	10/2011	Jochim et al.	15/143.1
2005/0011030	A1 *	1/2005	Gonzalez	15/160

(Continued)

**FOREIGN PATENT DOCUMENTS**

CN 300888184D \* 3/2009

(Continued)

**OTHER PUBLICATIONS**

EM001194799-0002 Registered Design Application, (Tangle Teezer Ltd.) Feb. 26, 2010, [online], [retrieved on Jun. 13, 2012] Retrieved from the Community Design Database of the Office for Harmonization in the Internal Market using the Internet: <URL: http://oami.europa.eu>.\*

(Continued)

*Primary Examiner* — Melanie H Tung

*Assistant Examiner* — Lavone D Tabor

(74) *Attorney, Agent, or Firm* — Cooper & Dunham LLP

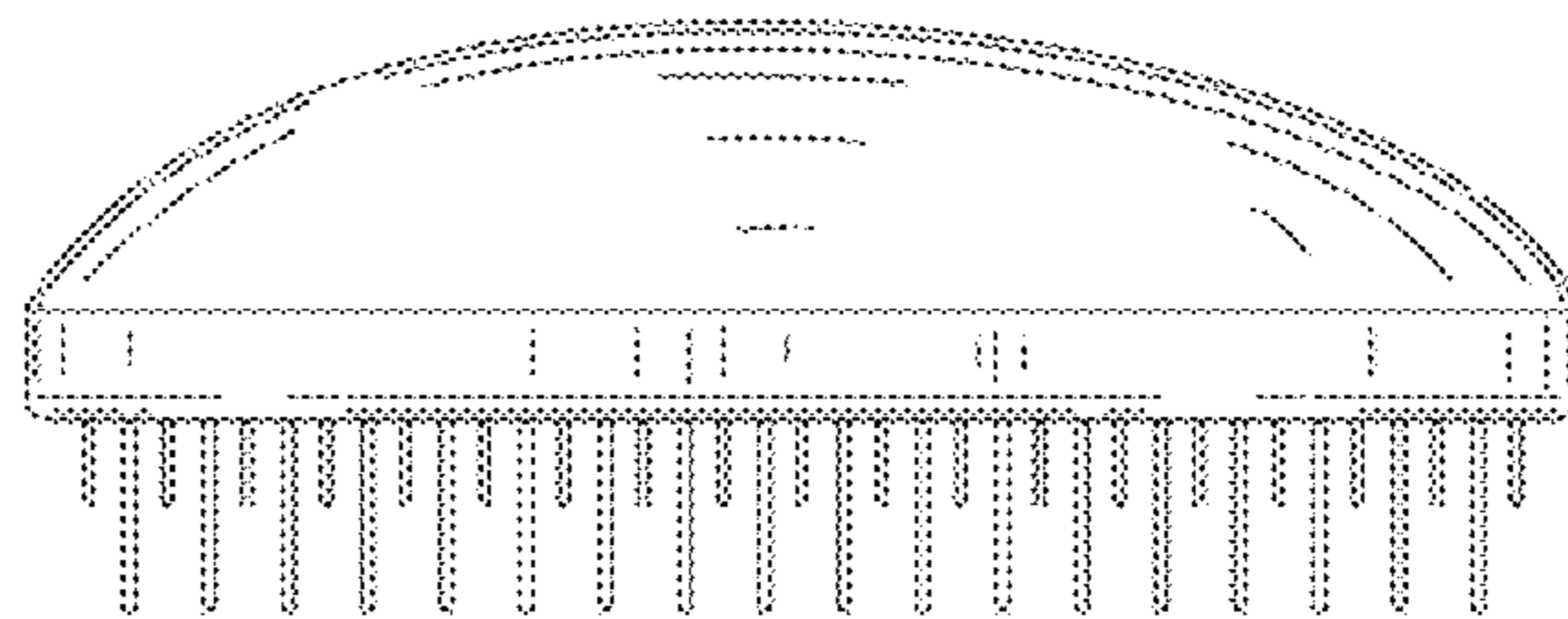
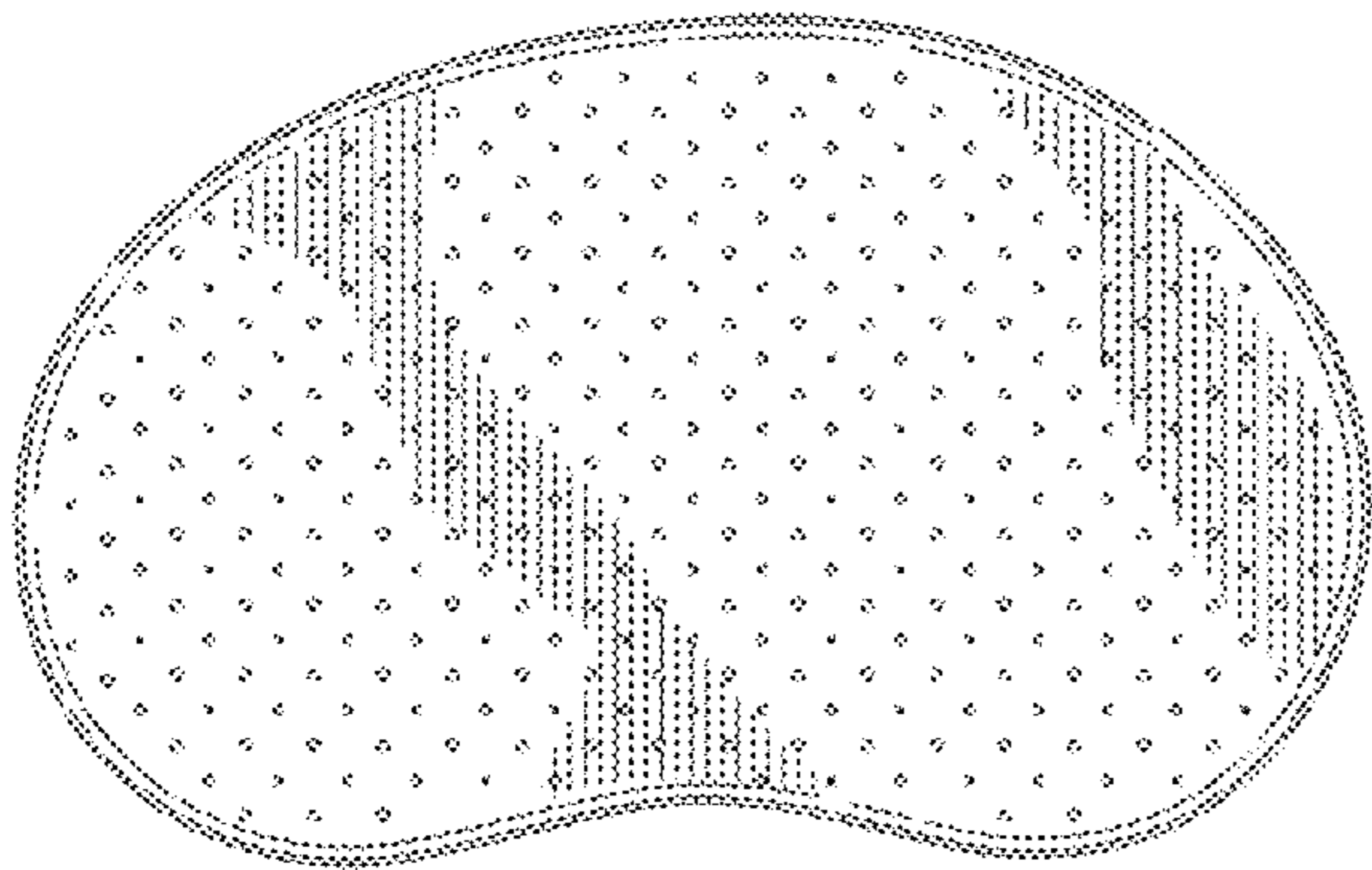
(57) **CLAIM**

The ornamental design for a hair detangler, as shown and described.

**DESCRIPTION**

FIG. 1 is a perspective view thereof;  
FIG. 2 is a top view thereof;  
FIG. 3 is a bottom view thereof;  
FIG. 4 is a front view;  
FIG. 5 is a back view;  
FIG. 6 is a side view thereof; and,  
FIG. 7 is the other side view thereof.

**1 Claim, 5 Drawing Sheets**



U.S. PATENT DOCUMENTS

2005/0210614 A1 9/2005 Chang  
2010/0101594 A1 4/2010 Pulfrey

FOREIGN PATENT DOCUMENTS

EM	000717533.0001	5/2007
EP	0276969	8/1988
EP	2124668	12/2011
GB	2447692	3/2012
WO	WO 88/00446	1/1988
WO	WO 2008117009	10/2008

OTHER PUBLICATIONS

“Acca Kappa Military Style Hair Brush, Black”, 1 page, <www.westcoastshaving.com>, May 17, 2011.  
 “Brushlab Pretty Pink Dual Mirror Brush Combo Hair Brush 61161”, 1 page, <www.brushlab.com>, May 3, 2011.  
 “Brushlab Pronto Iconic Nylon Bristle Hair Brush 33452”, 1 page, <www.brushlab.com>, May 3, 2011.  
 “Brushlab Pronto Iconic Nylon Bristle Hair Brush 33451”, 1 page, <www.brushlab.com>, May 3, 2011.  
 “Diane 100% Boar Softy Palm Brush 5" D8167”, 1 page, <www.amazon.com>, May 17, 2011.  
 “Diane Imported Pure Bristle Professional Military Hair Brush (Model : 8114”, 1 page, <www.amazon.com>, May 17, 2011.  
 “FURemover® Mitt Pet Hair Removal Glove”, 1 page, <www.petsmart.com>, May 3, 2011.  
 “Goody Styling Therapy Copper Paddle Brush”, 1 page, <www.target.com>, May 3, 2011.  
 “Goody Down to Earth Wood Paddle Brush”, 1 page, May 3, 2011.  
 “hairfree”, 1 page, <www.hairfree.bz>, May 3, 2011.  
 “Hand Shape Plastic Dog Grooming Bath Brush”, 3 pages, <www.dinodirect.com>, May 3, 2011.

“Kent Air Hedz Mega Taming For Hair Attitude”, 1 page, <www.beautyencounter.com>, May 3, 2011.  
 “Koh-i-Noor Men’s Military Hairbrush K296”, 1 page, <www.boydsnyc.com>, May 17, 2011.  
 “Martha Stewart Currie Brush”, 1 page, <www.petsmart.com>, May 3, 2011.  
 “Mason Pearson Bristle & Nylon Hair Brush Military Style”, 1 page, <www.amazon.com>, May 17, 2011.  
 “Mason Pearson Large Military Style Bristle & Nylon Popular Hair Brush with Cleaner (Model: BN1M)”, 1 page, <www.amazon.com>, May 17, 2011.  
 “Mason Pearson Popular Military Bristle/Nylon Hair Brush”, 1 page, <www.brookstone.com>, Apr. 5, 2011.  
 “Military Style Natural Bristle Hairbrush”, 1 page, <www.barclaycrocker.com>, May 17, 2011.  
 “Mystique Golden Duck Paddle Flat Hair Brush (Model: GD-261)”, 1 page, <www.amazon.com>, May 3, 2011.  
 “Plastic Curry Comb”, 1 page, <www.bluepony.com>, May 17, 2011.  
 “Pocket hair brush military brush Hard”, 1 page, <www.ebay.com>, May 17, 2011.  
 “Pop-Up Hair Brush”, 1 page, <www.magellans.com>, May 3, 2011.  
 “Hairsense Purse Brushes”, 2 pages.  
 “Shampoo Groomer Brush”, 1 page, <www.amazon.com>, May 3, 2011.  
 “Undercoat Comb for Dogs”, 2 pages, <www.petco.com>.  
 “Clean & Healthy Cushion Pin Brush,” 2 pages, <www.amazon.com>, May 3, 2011.  
 File History of Great Britain Application No. GB2447692, 74 pages.  
 “Tangle Tamer” product and packaging, 3 pages, www.denmanbrush.com, images taken Aug. 2, 2012.  
 “Tangle Teezer Original” website, 1 page, http://www.tangleteezer.com/products\_site.php?product=black, accessed Aug. 2, 2012.

\* cited by examiner

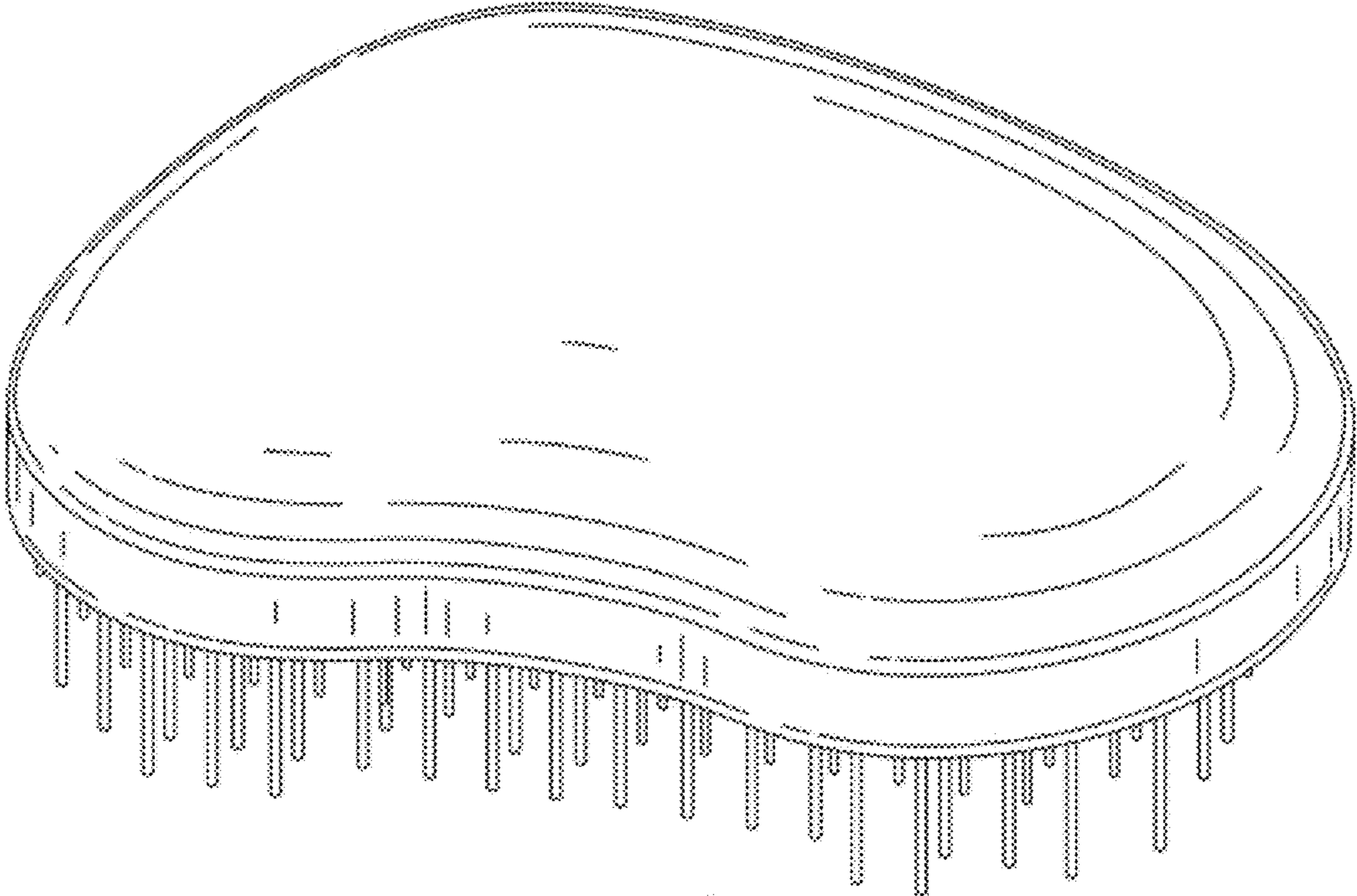


FIG. 1

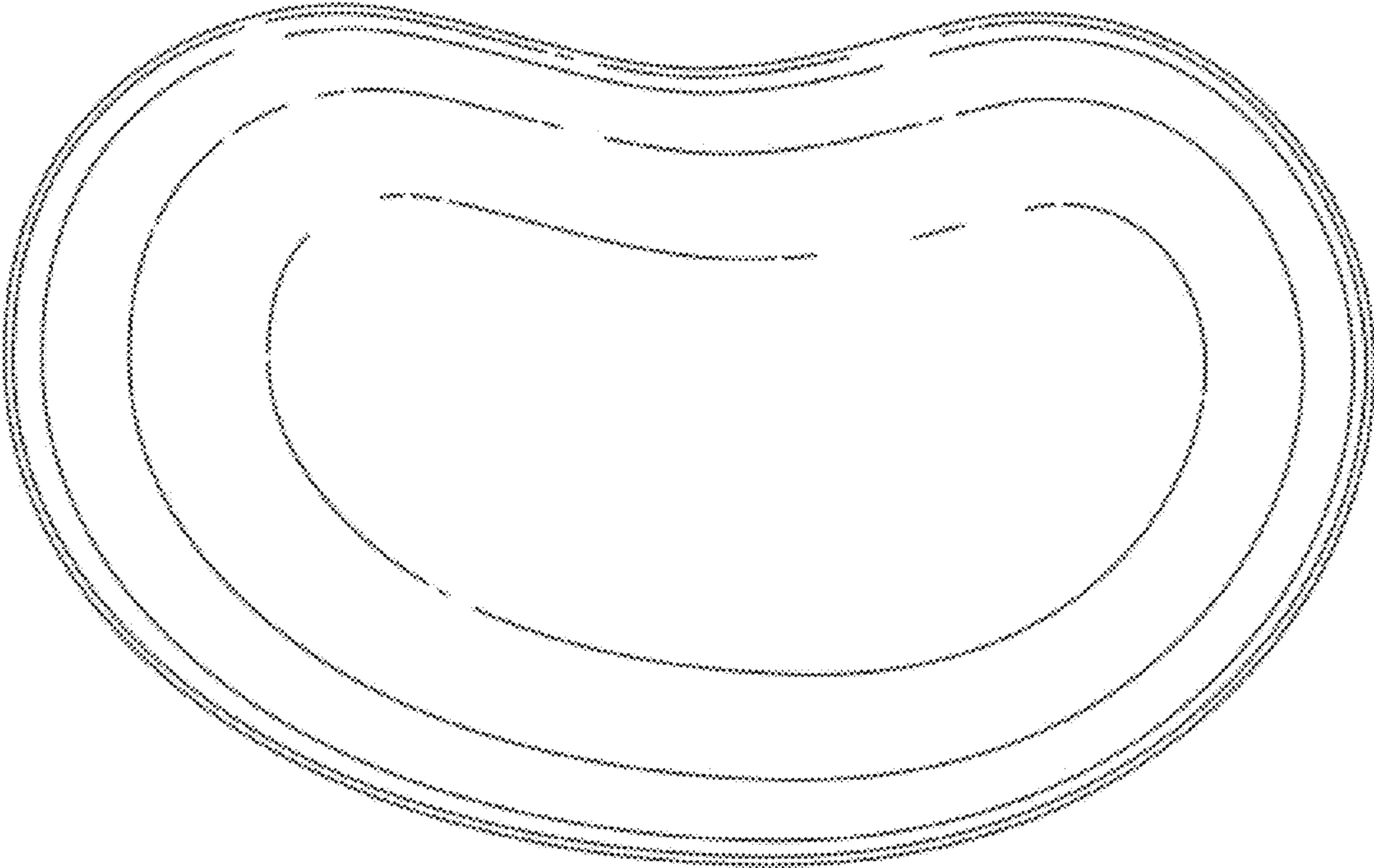


FIG. 2

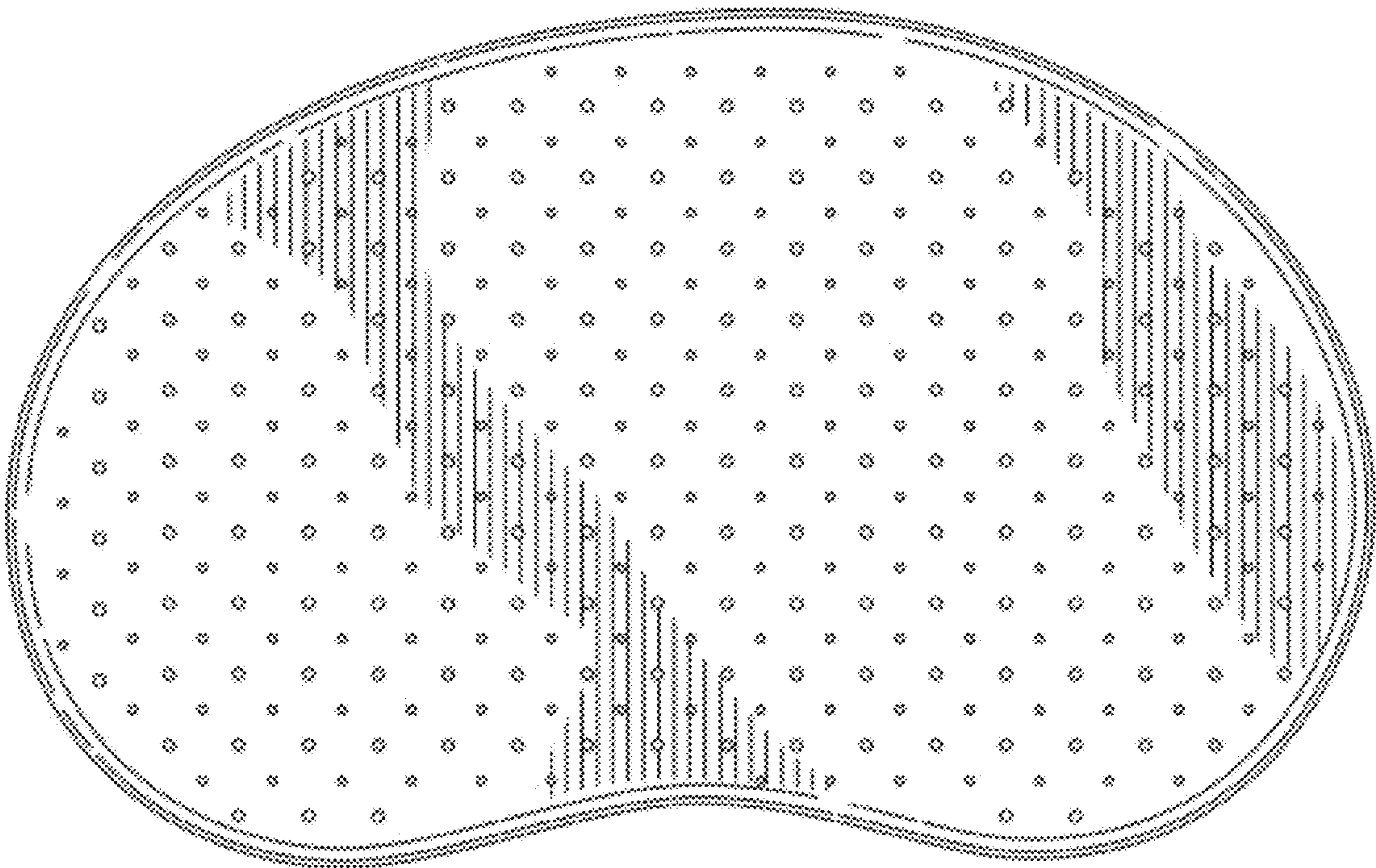


FIG. 3

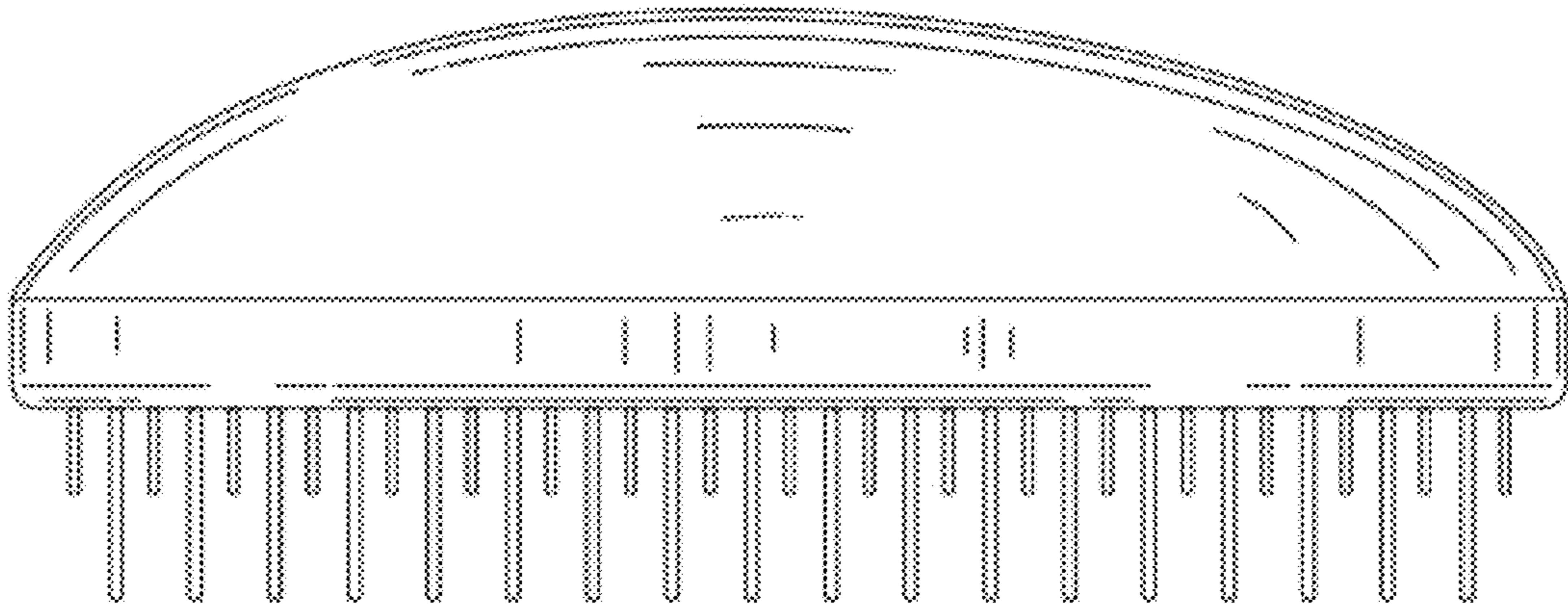


FIG. 4

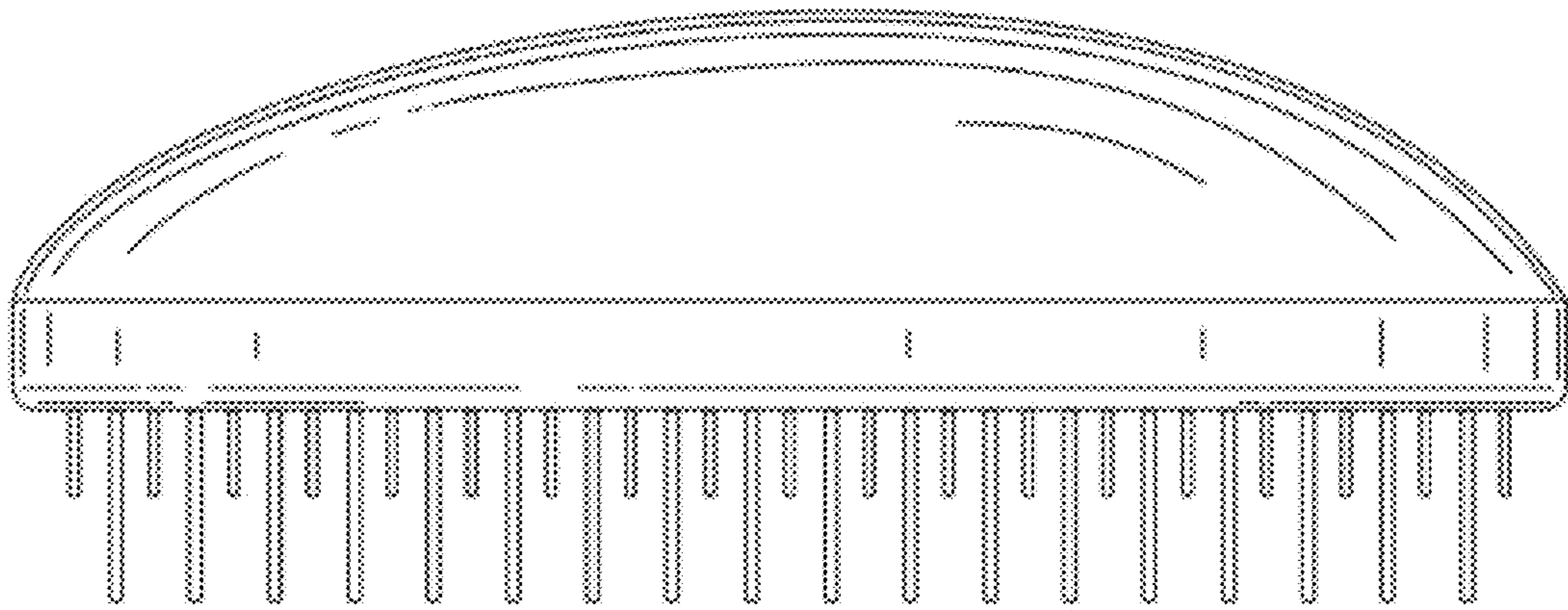
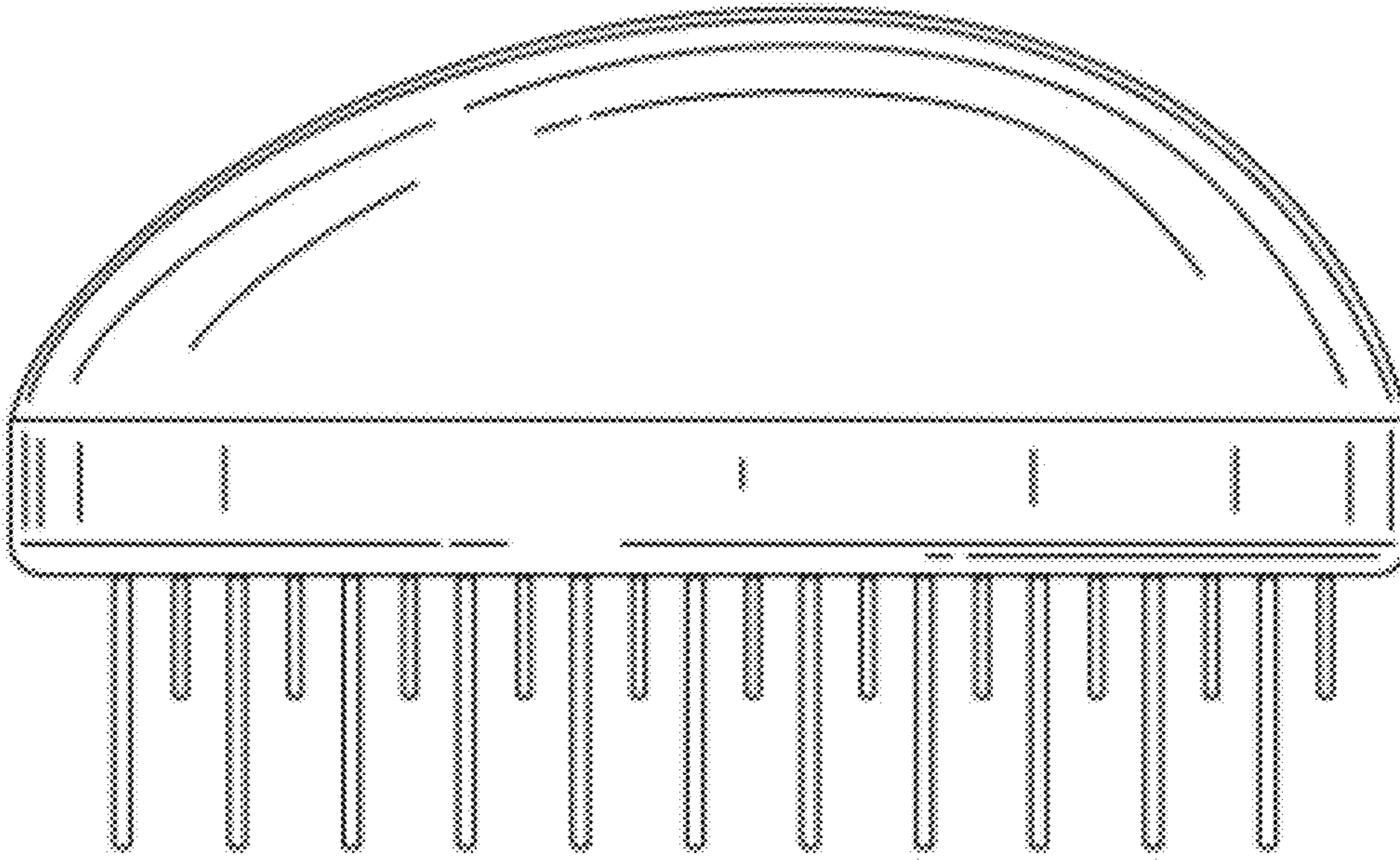
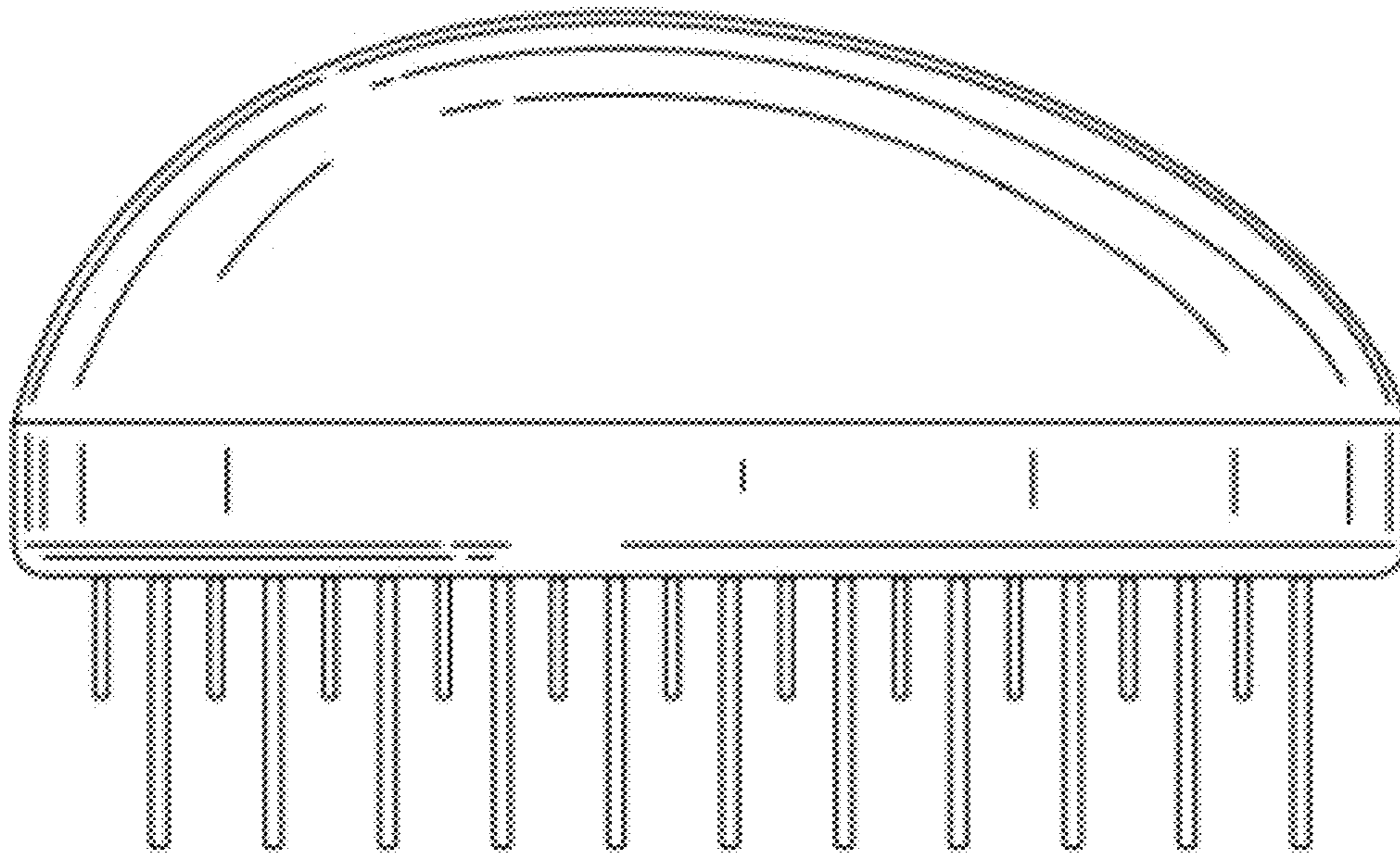


FIG. 5



**FIG. 6**



**FIG. 7**