

US00D668054S

(12) **United States Design Patent**
Julémont

(10) **Patent No.:** **US D668,054 S**

(45) **Date of Patent:** **** Oct. 2, 2012**

(54) **HAIR BRUSH**

(75) Inventor: **Pierre Julémont**, Soumagne (BE)

(73) Assignee: **Babyliss Faco SA**, Wandre (BE)

(**) Term: **14 Years**

(21) Appl. No.: **29/412,469**

(22) Filed: **Feb. 3, 2012**

(30) **Foreign Application Priority Data**

Aug. 4, 2011 (EM) 011901224-0006

(51) **LOC (9) Cl.** **04-01**

(52) **U.S. Cl.** **D4/128**

(58) **Field of Classification Search** D4/128,
D4/129, 131, 136, 138, 108, 109, 119; D32/35,
D32/51; 15/104.5, 104.16, 104.2, 104.31,
15/104.32, 164, 165, 206; D28/65; D7/682;
452/298, 458

See application file for complete search history.

(56) **References Cited**

U.S. PATENT DOCUMENTS

5,911,226 A * 6/1999 Vecchiola et al. 132/211

D518,644 S * 4/2006 Park D4/128
D543,363 S * 5/2007 Leung et al. D4/128
D564,762 S * 3/2008 Vecchiola D4/128
D569,108 S * 5/2008 Park D4/128
D627,568 S * 11/2010 Rennette D4/128
7,908,700 B2 * 3/2011 DiPippo 15/169
D652,219 S * 1/2012 Park D4/128

* cited by examiner

Primary Examiner — Austin Murphy

(74) *Attorney, Agent, or Firm* — Ladas & Parry LLP

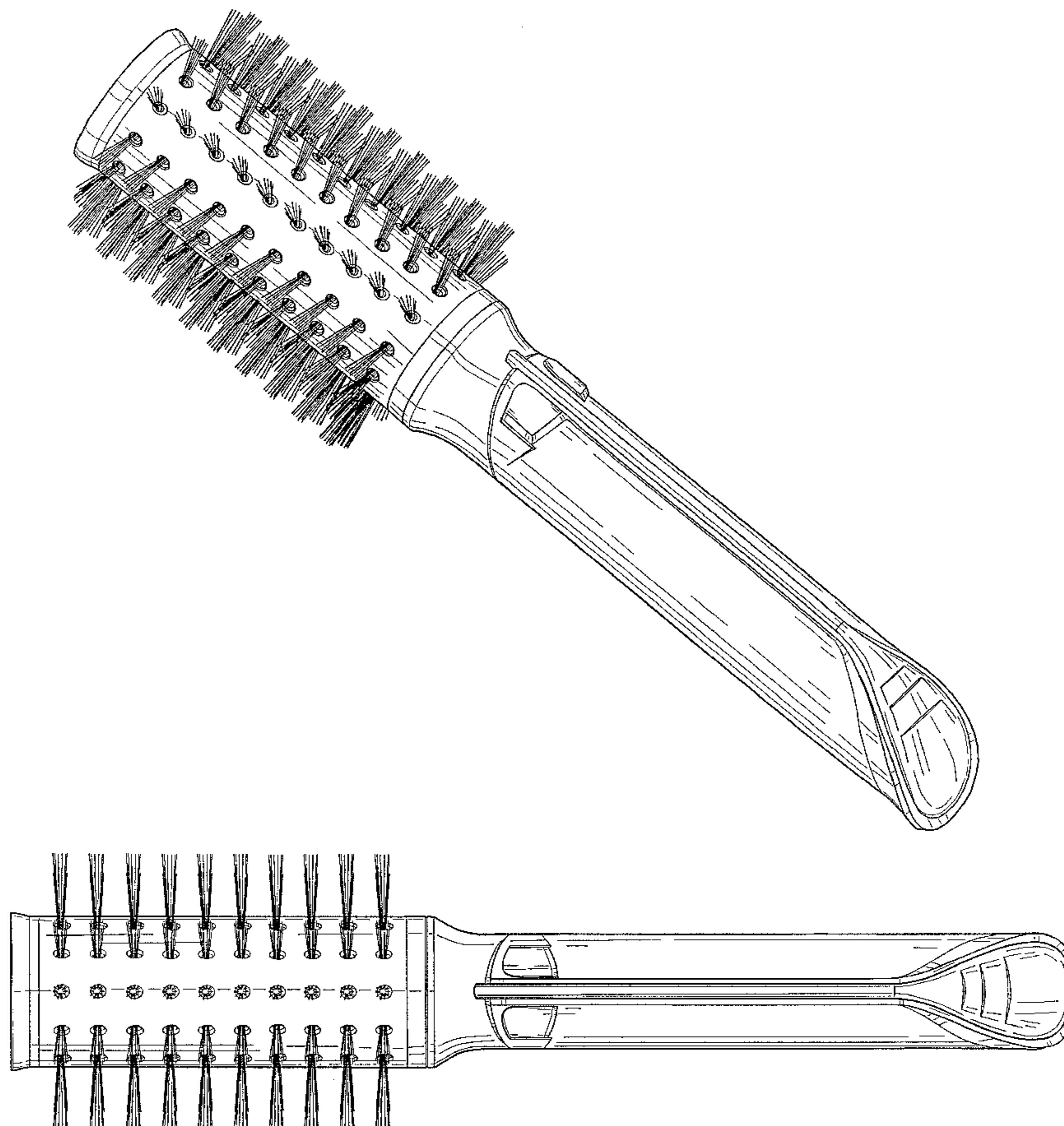
(57) **CLAIM**

The ornamental design for a hair brush, as shown and described.

DESCRIPTION

FIG. 1 is a perspective view from above to the right of the hair brush, which is the subject of my new design; FIG. 2 is a top plan view thereof; FIG. 3 is a bottom plan view thereof; FIG. 4 is a left side elevational view thereof; FIG. 5 is a right side elevational view thereof; FIG. 6 is a front elevational view thereof; and, FIG. 7 is a rear elevational view thereof.

1 Claim, 7 Drawing Sheets



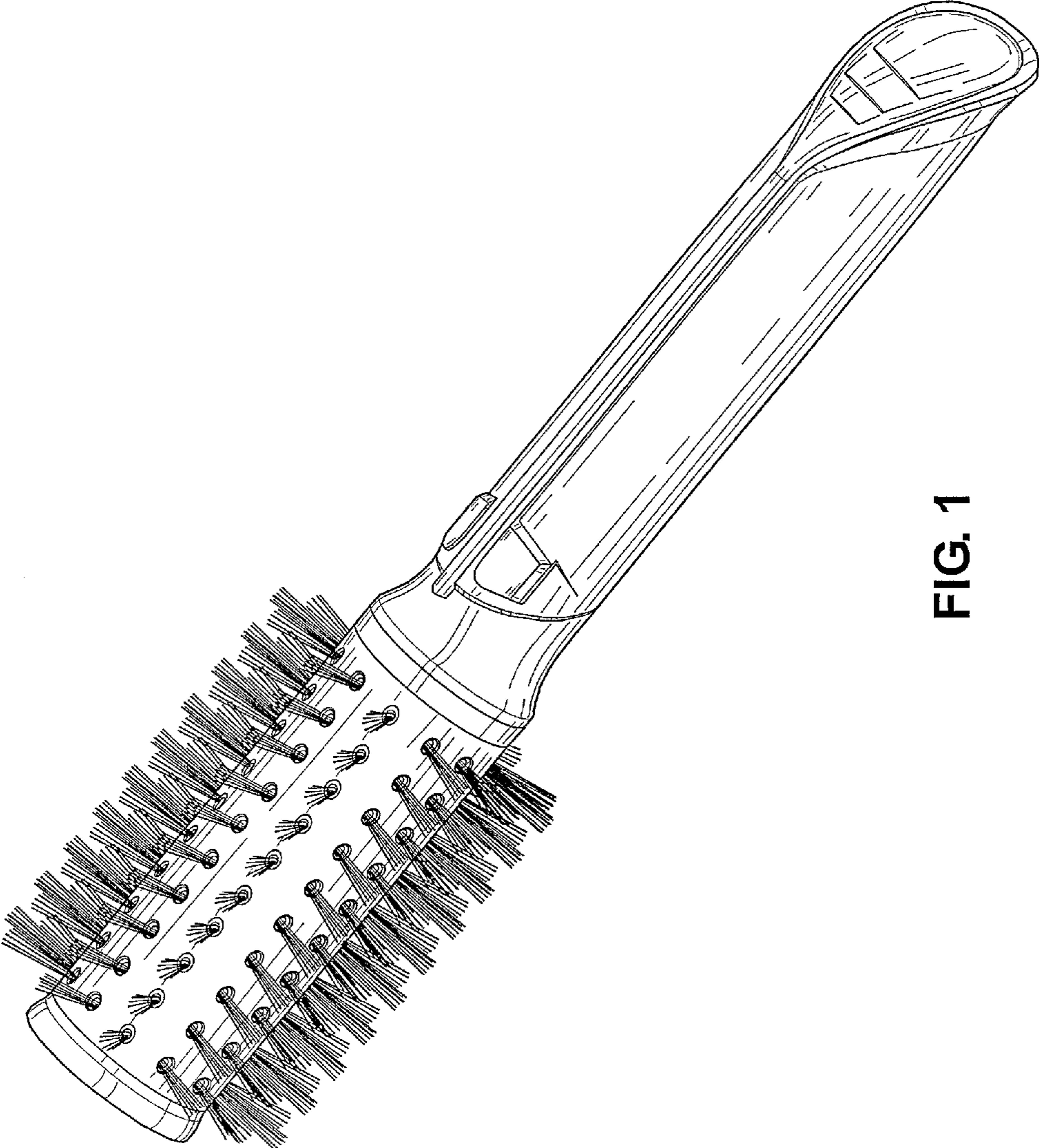


FIG. 1

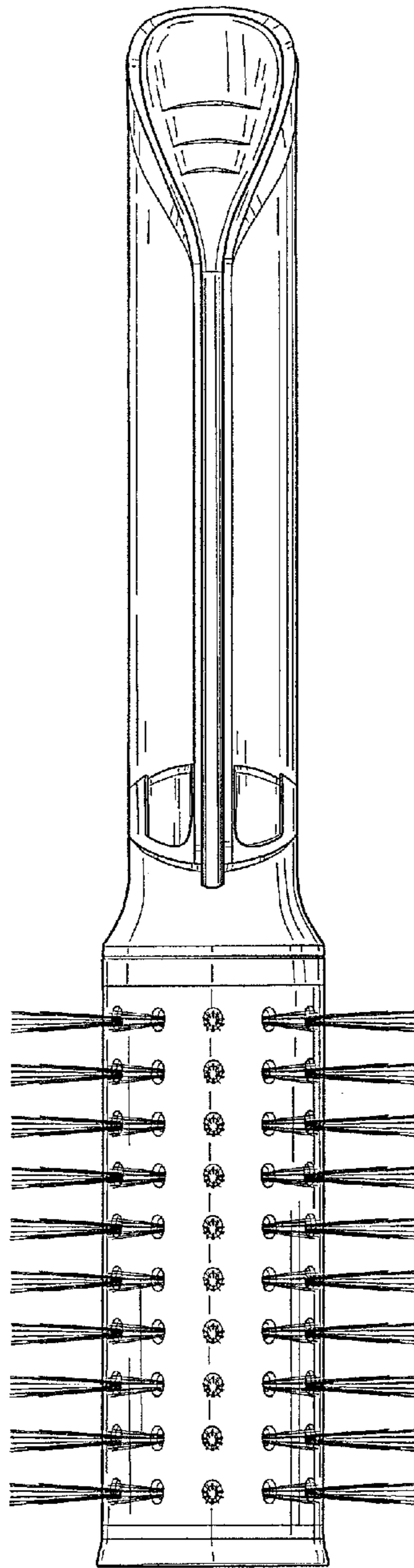


FIG. 2

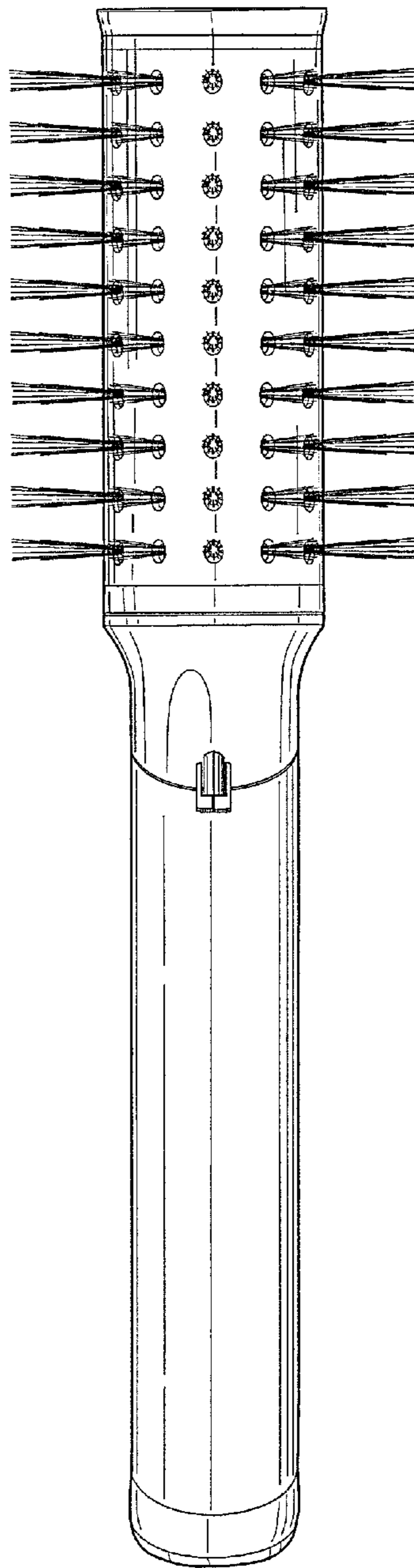


FIG. 3

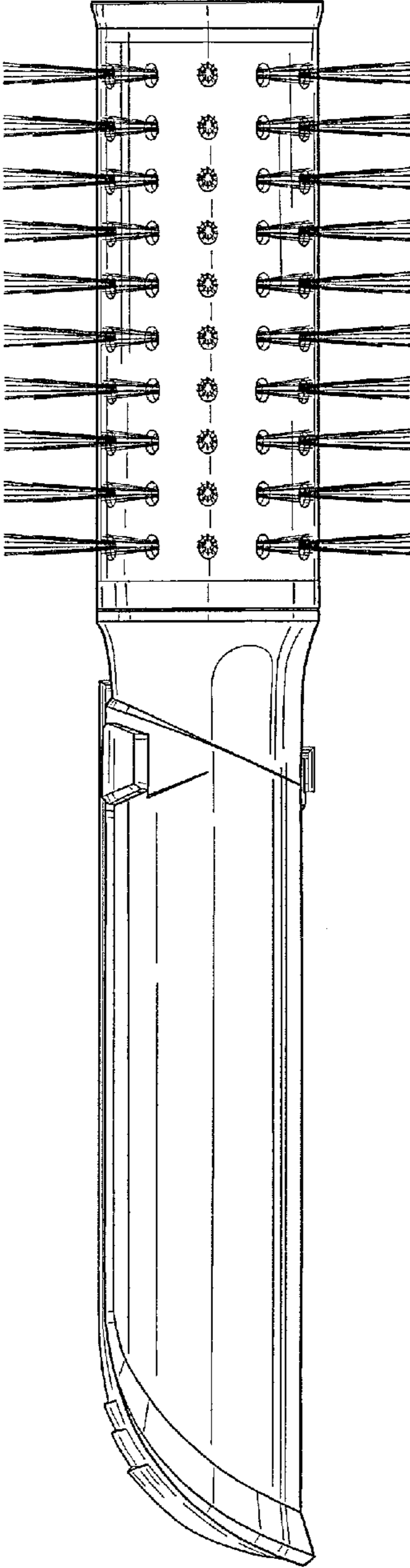


FIG. 4

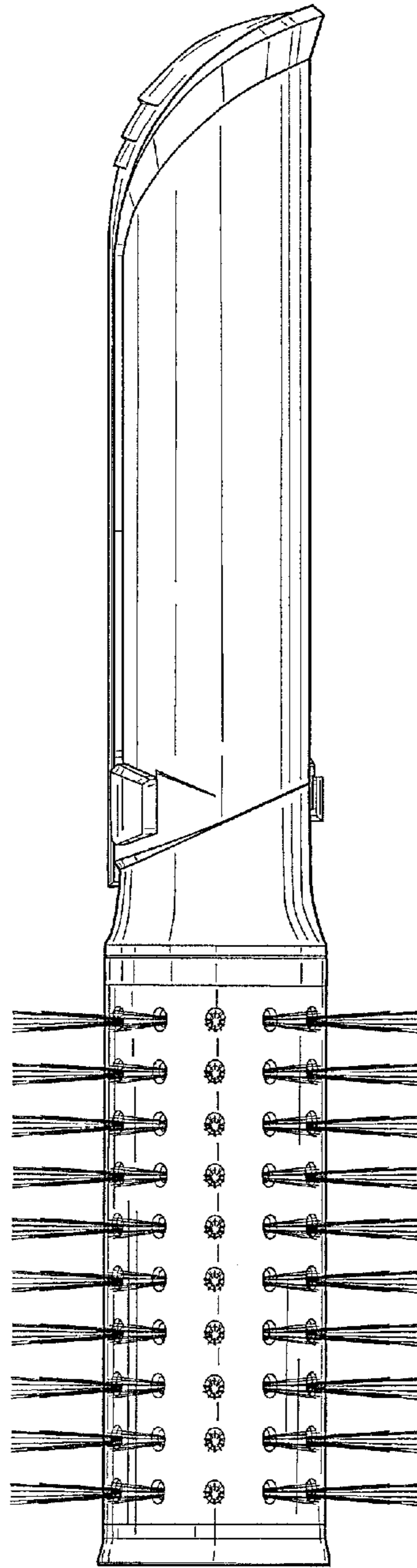


FIG. 5

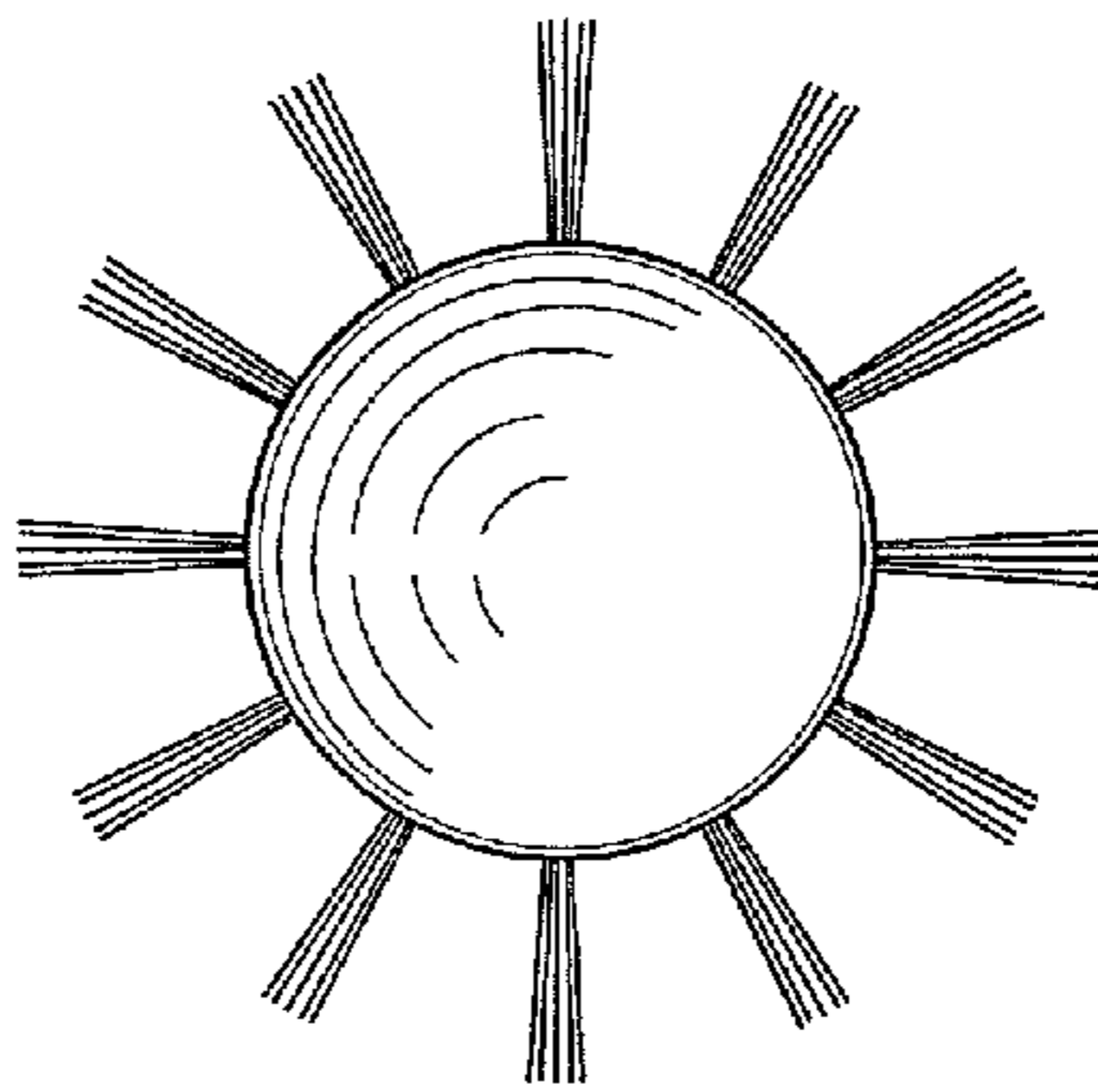


FIG. 6

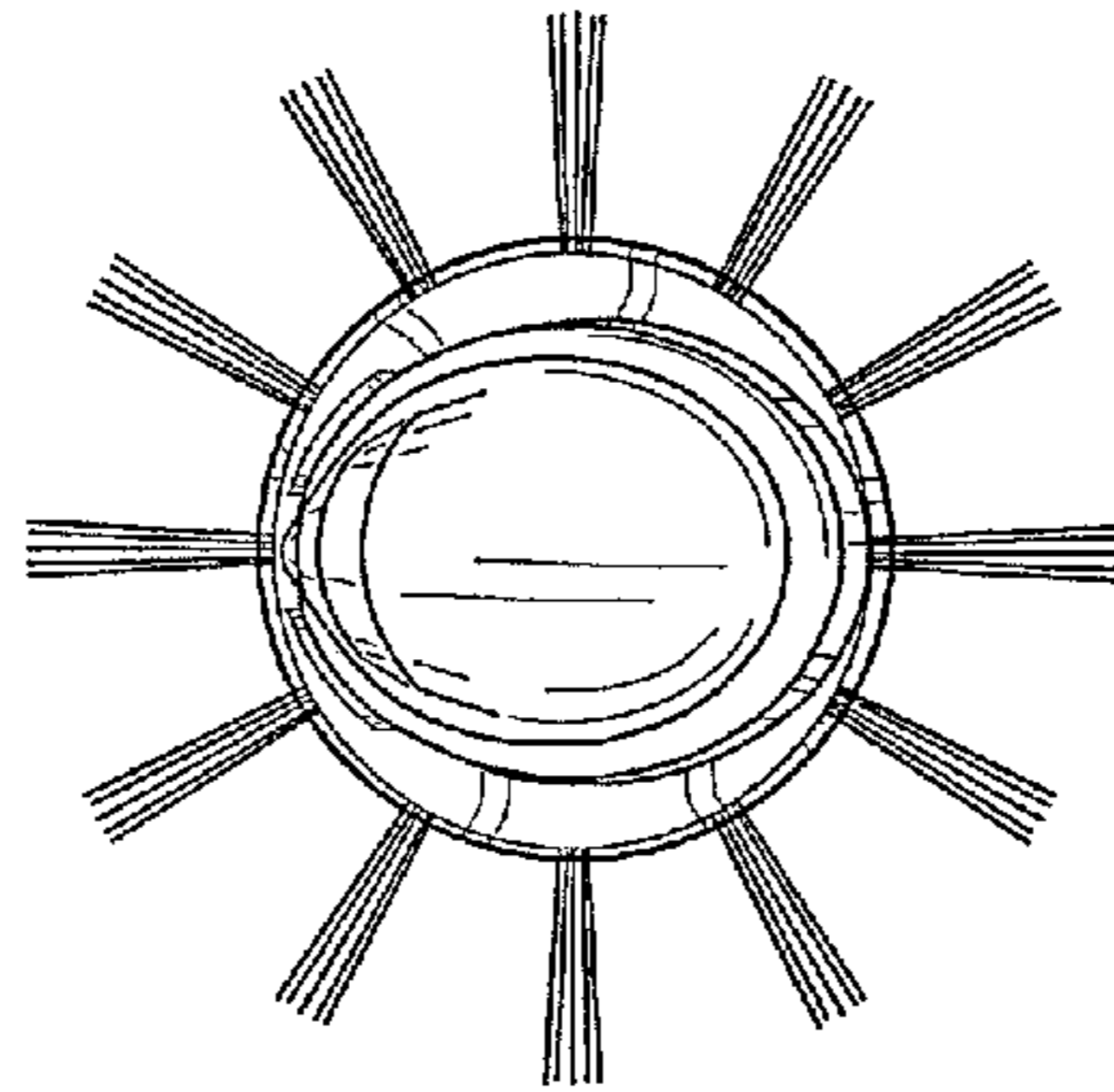


FIG. 7