

US00D668053S

(12) **United States Design Patent**
Cummings

(10) **Patent No.:** **US D668,053 S**

(45) **Date of Patent:** **** Oct. 2, 2012**

(54) **SWIMMING POOL AND POOL COVER
CLEANING BRUSH**

(76) Inventor: **Josiah D. Cummings**, Goshen, IN (US)

(**) Term: **14 Years**

(21) Appl. No.: **29/418,117**

(22) Filed: **Apr. 12, 2012**

(51) **LOC (9) Cl.** **04-01**

(52) **U.S. Cl.** **D4/116; D32/35**

(58) **Field of Classification Search** D4/116;
D22/135; D23/210; D30/162; D32/35;
15/159.1, 160, 1.7; 43/7, 8, 11; 210/167.1,
210/238, 470, 497.01, 499; 294/1.3, 1.5

See application file for complete search history.

(56) **References Cited**

U.S. PATENT DOCUMENTS

445,572	A	2/1891	Newman	
2,545,226	A *	3/1951	Claude	294/179
3,296,643	A	1/1967	Fortune	
3,863,237	A *	1/1975	Doerr	15/1.7
3,979,146	A *	9/1976	Berg	209/418
4,176,419	A *	12/1979	MacDonald	15/1.7
4,198,720	A *	4/1980	Matsumoto	15/1.7
4,637,087	A	1/1987	Feinberg	
4,724,566	A *	2/1988	Fawcett	15/1.7
4,733,427	A	3/1988	Conrad	
5,043,060	A *	8/1991	Brennan	210/122
D351,948	S	11/1994	Getchell	
5,983,431	A	11/1999	Meshulam	

6,148,466	A	11/2000	Smitelli, III et al.	
D445,572	S	7/2001	Rowell et al.	
D460,625	S *	7/2002	Wright	D4/116
6,668,413	B2	12/2003	Fortier	
D619,773	S *	7/2010	Diermayer et al.	D32/35
2002/0083536	A1	7/2002	Holiday	

* cited by examiner

Primary Examiner — Melanie H Tung

Assistant Examiner — Lavone D Tabor

(57) **CLAIM**

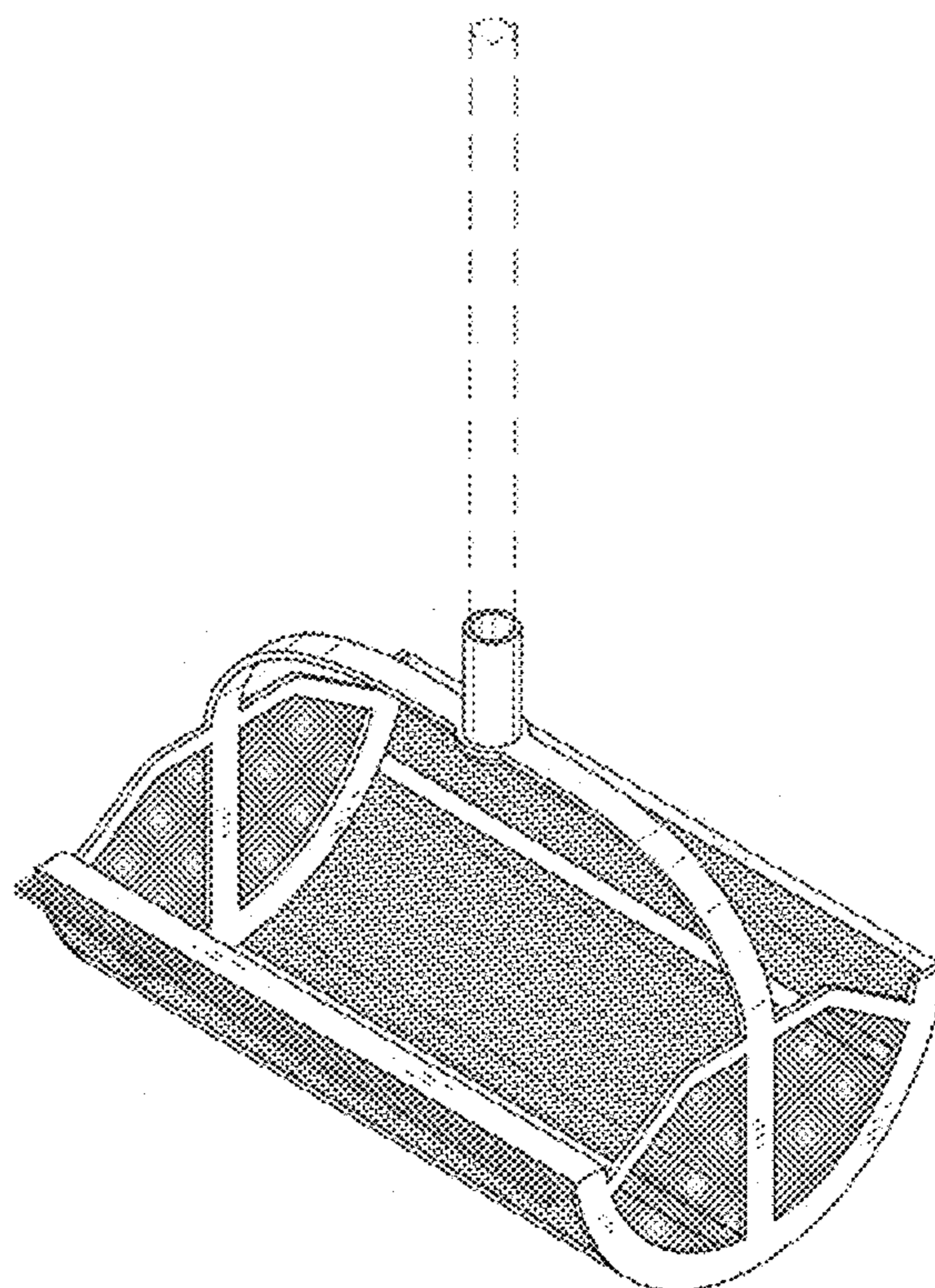
The ornamental design for a swimming pool and pool cover cleaning brush, as shown and described.

DESCRIPTION

FIG. 1 is a perspective view of a swimming pool and pool cover cleaning brush showing my new design;
 FIG. 2 is a front view thereof;
 FIG. 3 is a back view thereof;
 FIG. 4 is a side view (opposite side view is mirror image) thereof;
 FIG. 5 is a top view thereof; and,
 FIG. 6 is a bottom view thereof.

In FIG. 1, the broken lines showing of environmental structure for purposes of illustrating the swimming pool and pool cover cleaning brush in a condition of use. The broken lines and the structure they depict form no part of the claimed design.

1 Claim, 4 Drawing Sheets



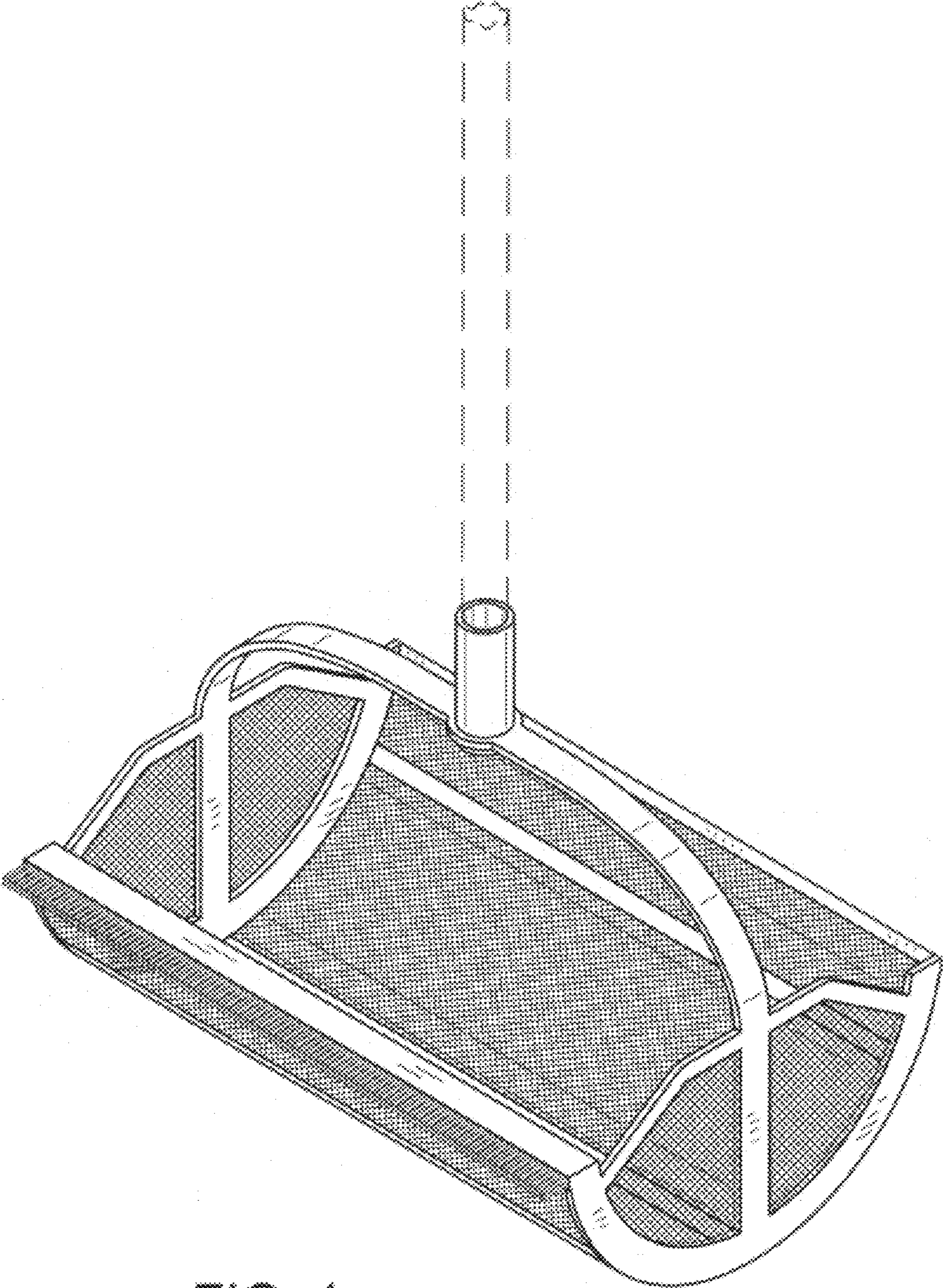


FIG. 1

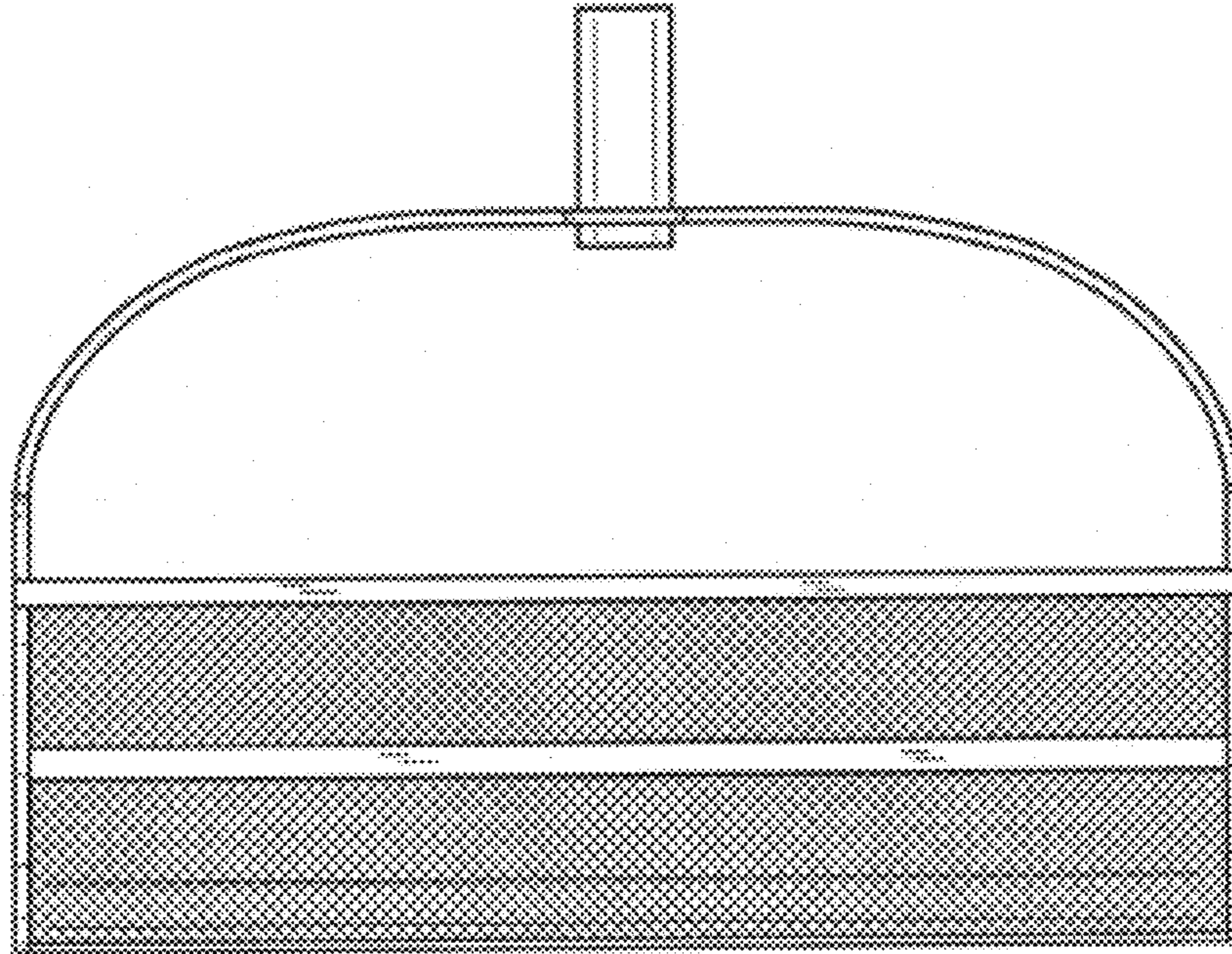


FIG. 2

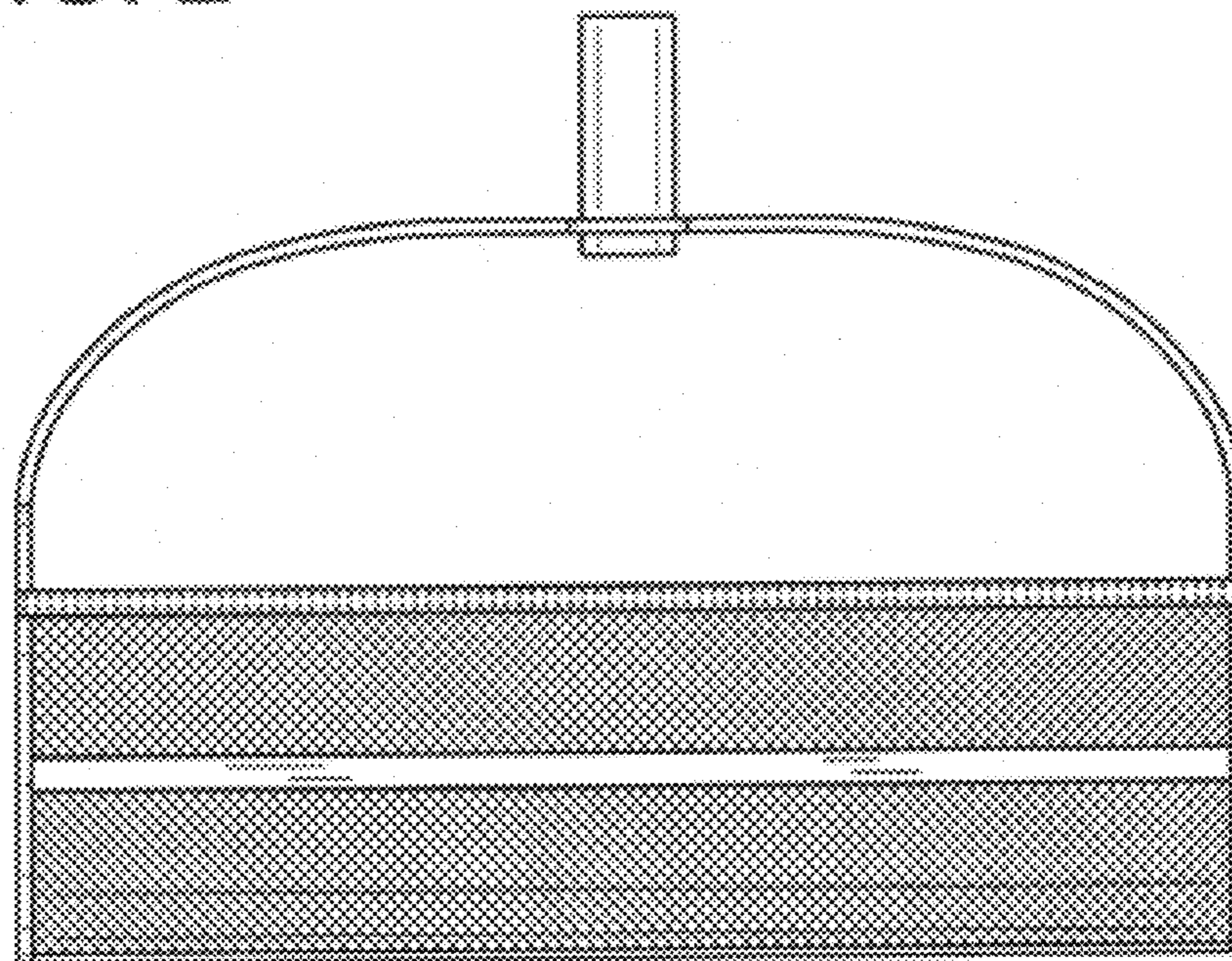


FIG. 3

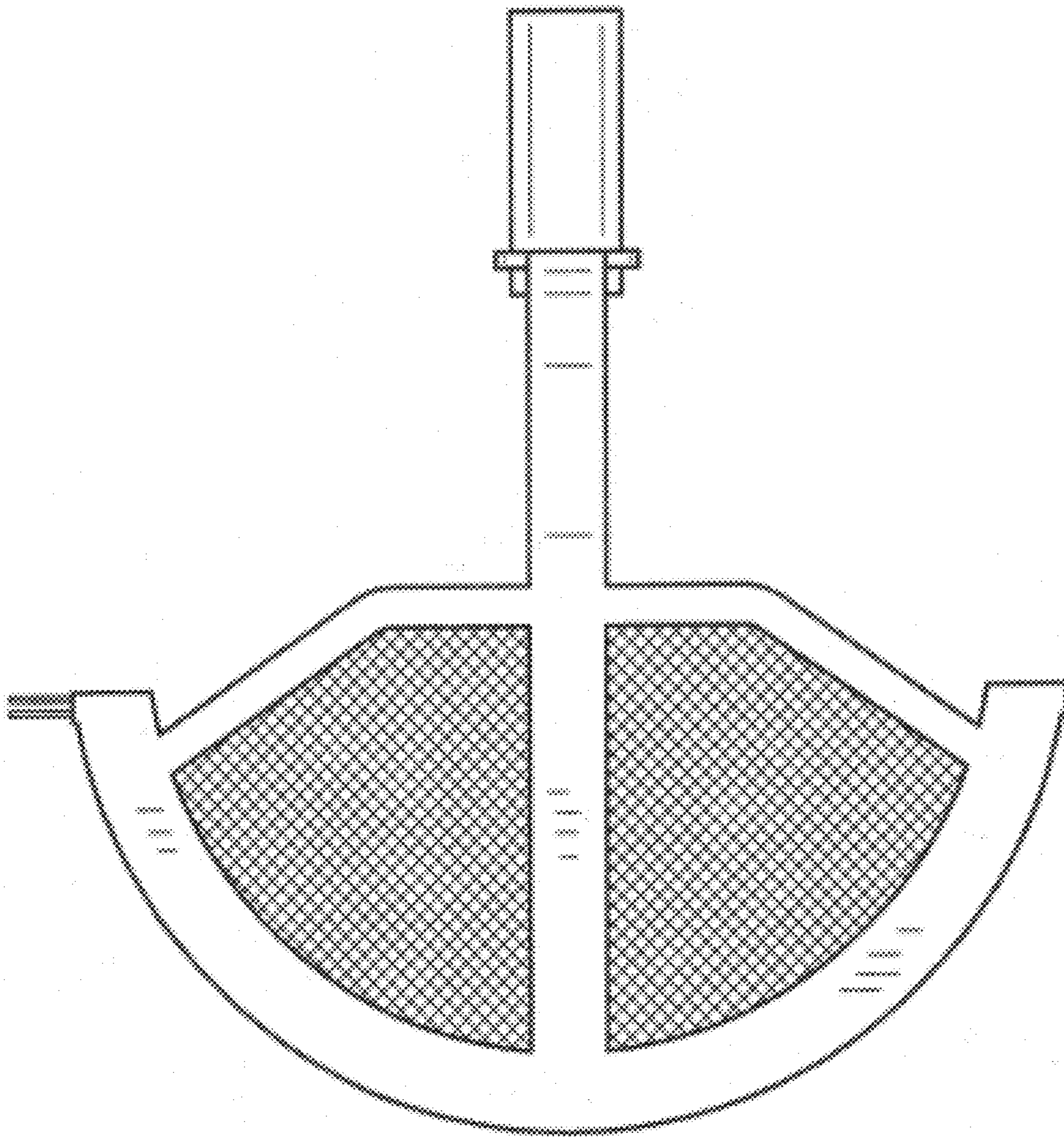


FIG. 4

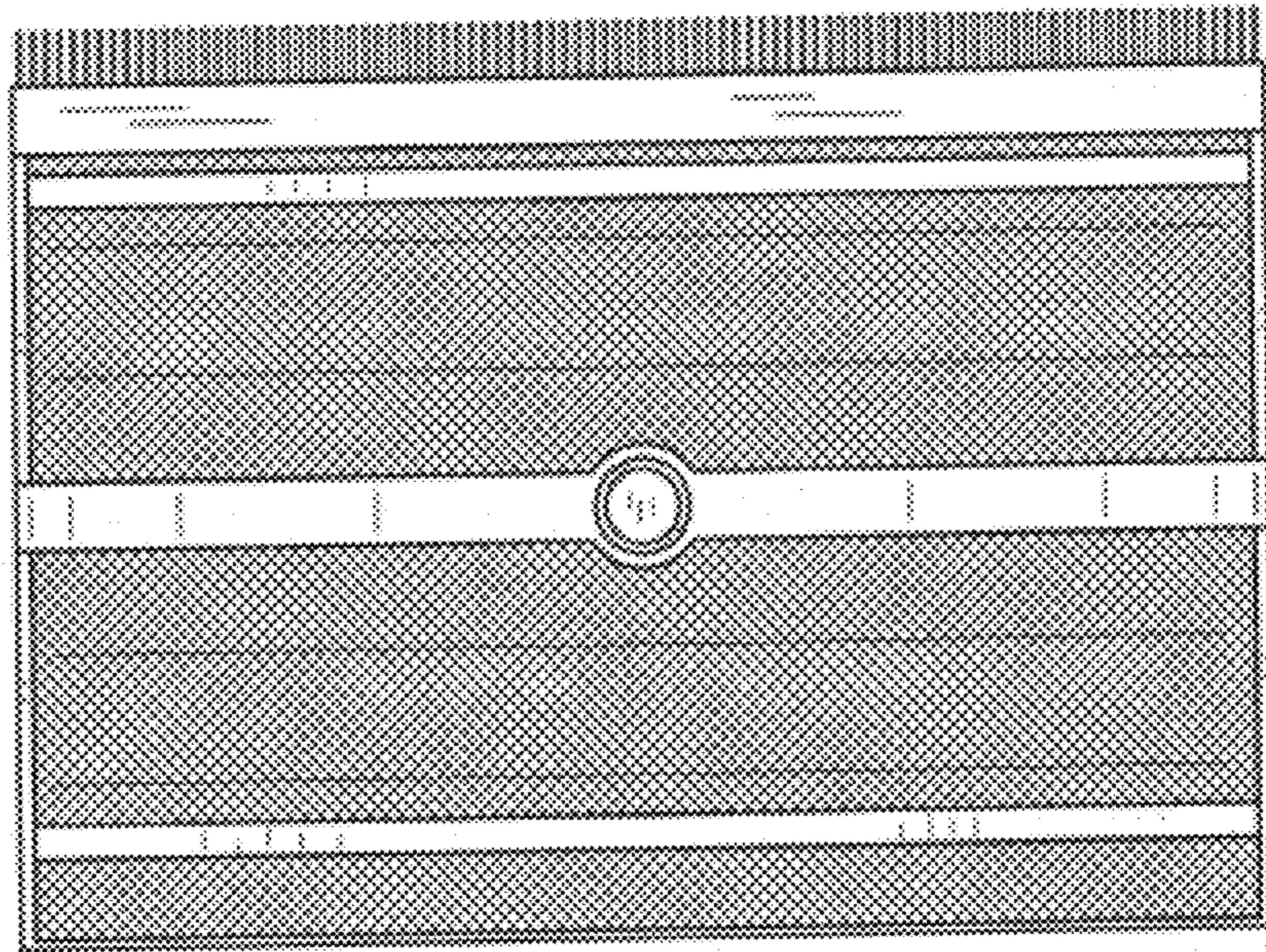


FIG. 5

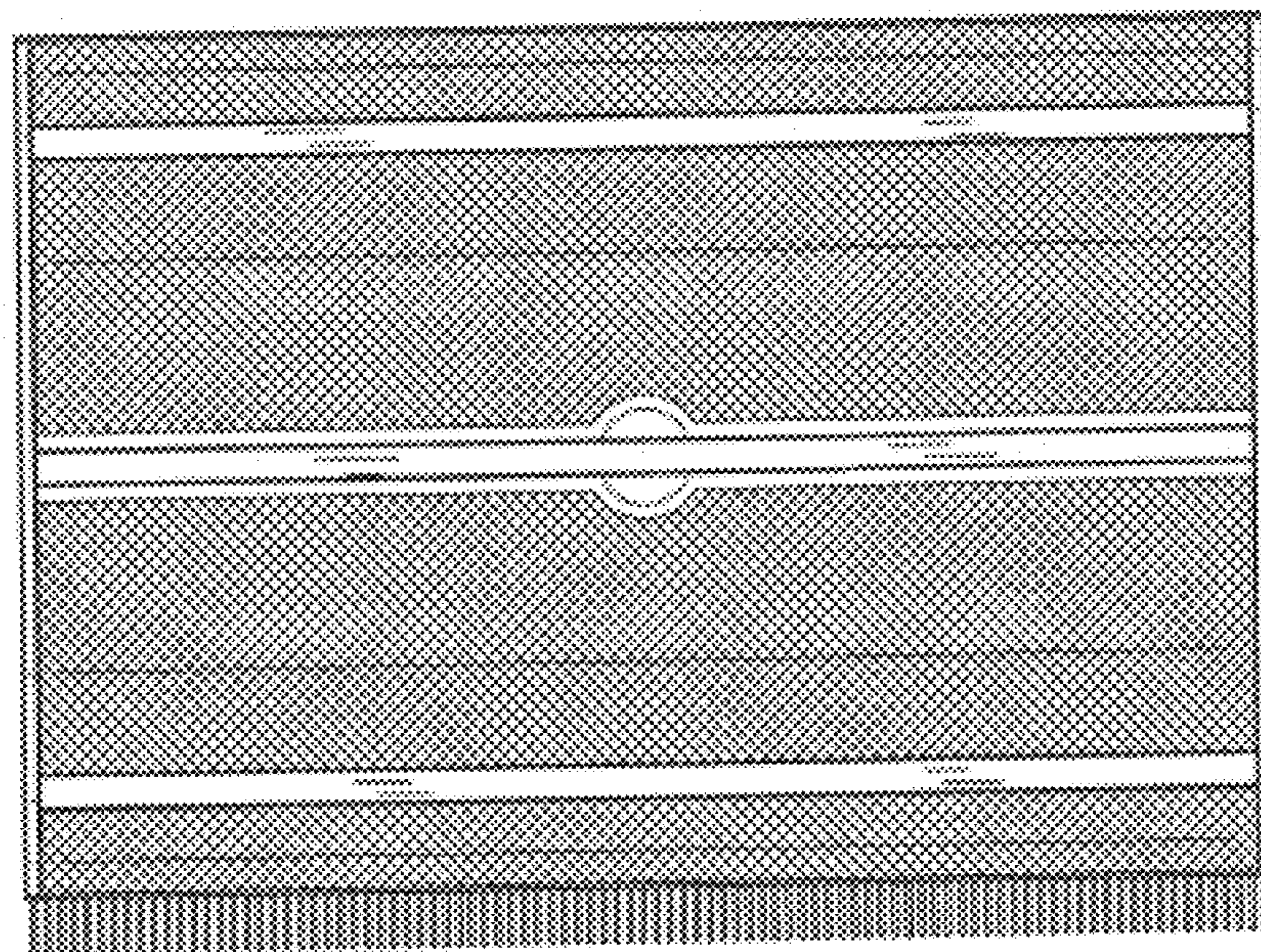


FIG. 6