



US00D668051S

(12) **United States Design Patent**
Cenzano et al.

(10) **Patent No.:** **US D668,051 S**
(45) **Date of Patent:** **** Oct. 2, 2012**

- (54) **CLOSABLE BOX**
- (75) Inventors: **Lauren Cenzano**, East Northport, NY (US); **Doug Mudd**, O'Fallon, MO (US)
- (73) Assignee: **Esselte Corporation**, Melville, NY (US)
- (**) Term: **14 Years**
- (21) Appl. No.: **29/398,380**
- (22) Filed: **Jul. 29, 2011**

Related U.S. Application Data

- (63) Continuation-in-part of application No. 29/384,490, filed on Jan. 31, 2011.
- (51) **LOC (9) Cl.** **03-01**
- (52) **U.S. Cl.** **D3/321**
- (58) **Field of Classification Search** D3/272, D3/273, 292, 294-297, 900, 276, 318, 321, D3/323, 322; 190/19, 23, 37, 40, 900; D99/28
See application file for complete search history.

References Cited

U.S. PATENT DOCUMENTS

D67,730	S	*	6/1925	Wheary	D3/272
2,626,025	A	*	1/1953	Sherman	190/37
D247,993	S	*	5/1978	Calzone, III	D3/204
D288,863	S	*	3/1987	Vuitton	D3/289
4,744,445	A	*	5/1988	Anderson et al.	190/37
4,813,542	A	*	3/1989	Thompson et al.	206/504
D415,614	S	*	10/1999	Akaike et al.	D3/276
D419,766	S	*	2/2000	Rekuc	D3/272
D493,936	S	*	8/2004	Perella et al.	D99/28
D496,791	S	*	10/2004	Perella et al.	D3/267
D498,049	S	*	11/2004	Perella et al.	D3/273
D499,883	S	*	12/2004	Perella et al.	D3/276

D500,922	S	*	1/2005	Perella et al.	D3/273
D501,083	S	*	1/2005	Perella et al.	D3/276
D501,720	S	*	2/2005	Hussaini et al.	D3/273
D503,024	S	*	3/2005	Perella et al.	D99/28
D503,503	S	*	3/2005	Perella et al.	D99/28
D509,357	S	*	9/2005	Perella et al.	D3/267
D511,035	S	*	10/2005	Perella et al.	D99/28
D529,287	S	*	10/2006	Perella et al.	D3/294
D562,048	S	*	2/2008	Perella et al.	D3/272
D574,655	S	*	8/2008	Perella et al.	D3/294
D578,819	S	*	10/2008	Perella et al.	D6/632
D579,174	S	*	10/2008	Decarlo et al.	D99/28
D596,399	S	*	7/2009	Decarlo et al.	D3/291
D619,810	S	*	7/2010	Huang	D3/276
D625,517	S	*	10/2010	Rossi et al.	D3/272
D643,213	S	*	8/2011	Hsiao et al.	D3/272
D643,623	S	*	8/2011	Chin et al.	D3/272
2004/0188205	A1	*	9/2004	Badaan	190/124

* cited by examiner

Primary Examiner — Jennifer Rivard

(74) *Attorney, Agent, or Firm* — Dorsey & Whitney LLP

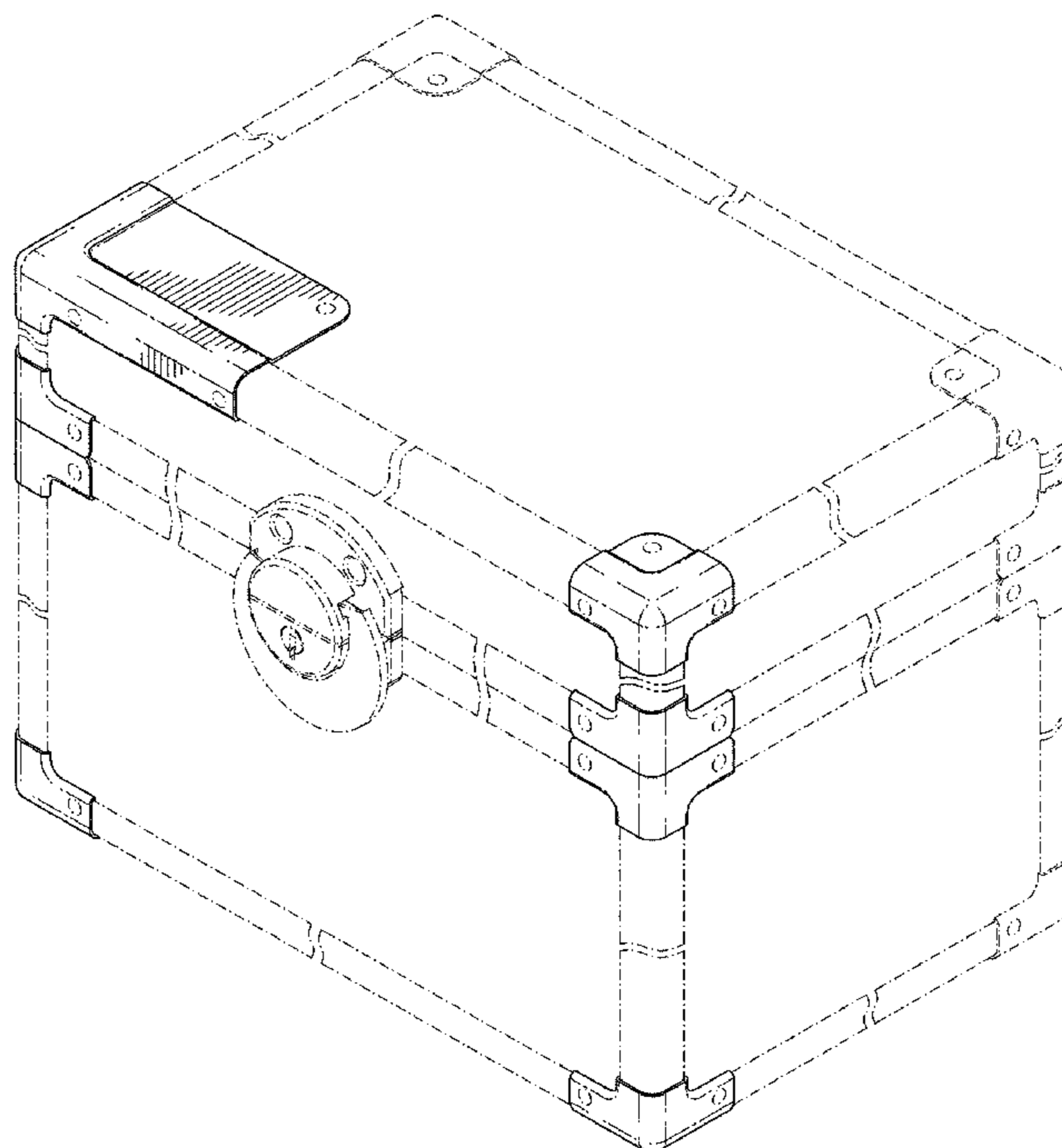
(57) **CLAIM**

The ornamental design for a closable box, as shown and described.

DESCRIPTION

FIG. 1 is a perspective view of a closable box; FIG. 2 is a front view of the closable box shown in FIG. 1; FIG. 3 is a back view of the closable box shown in FIG. 1; FIG. 4 is a left side view of the closable box shown in FIG. 1; FIG. 5 is a right view of the closable box shown in FIG. 1; FIG. 6 is a top view of the closable box shown in FIG. 1; and, FIG. 7 is a bottom view of the closable box shown in FIG. 1. The broken lines illustrate portions of the article and form no part of the claimed design.

1 Claim, 4 Drawing Sheets



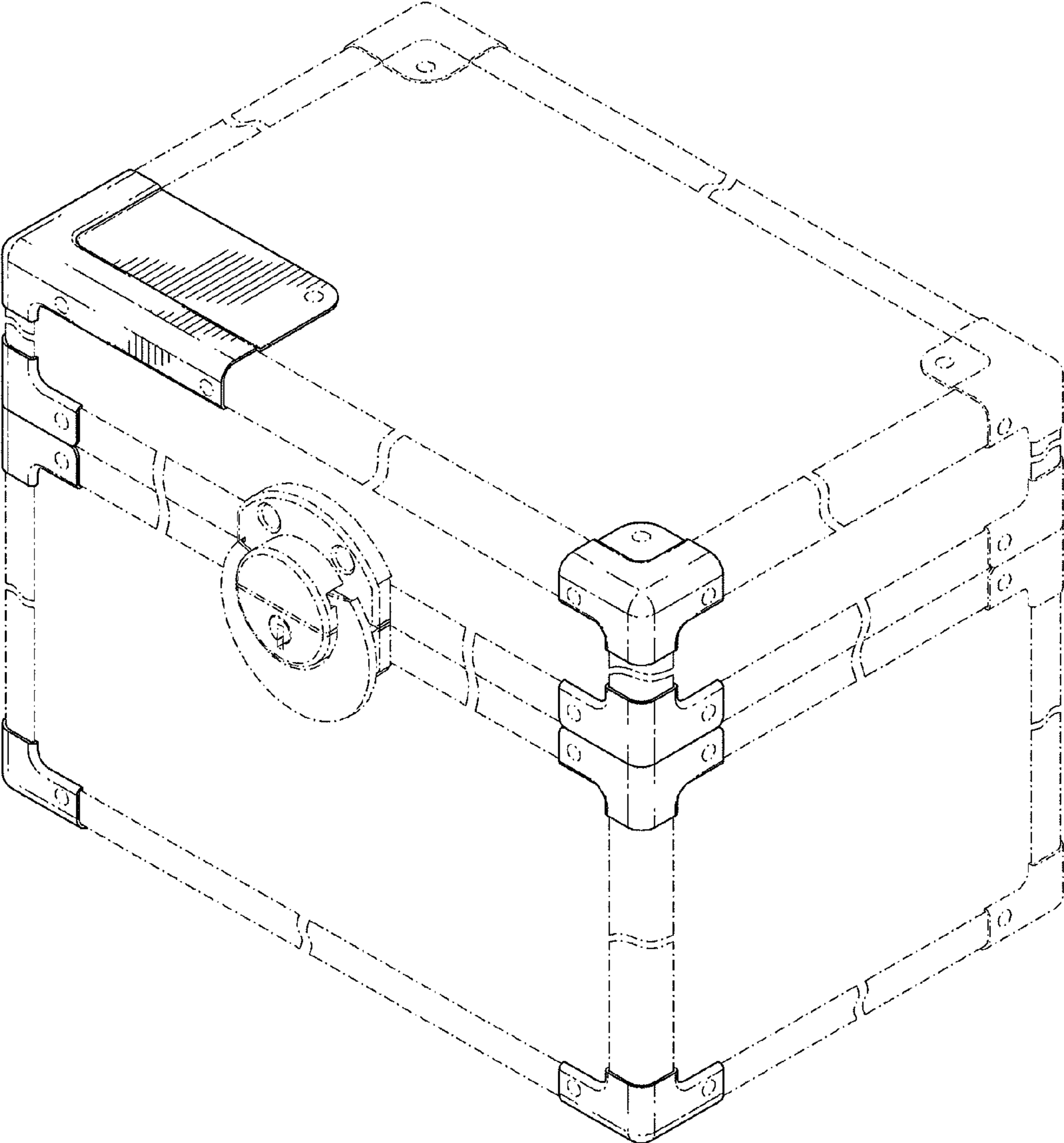


FIG. 1

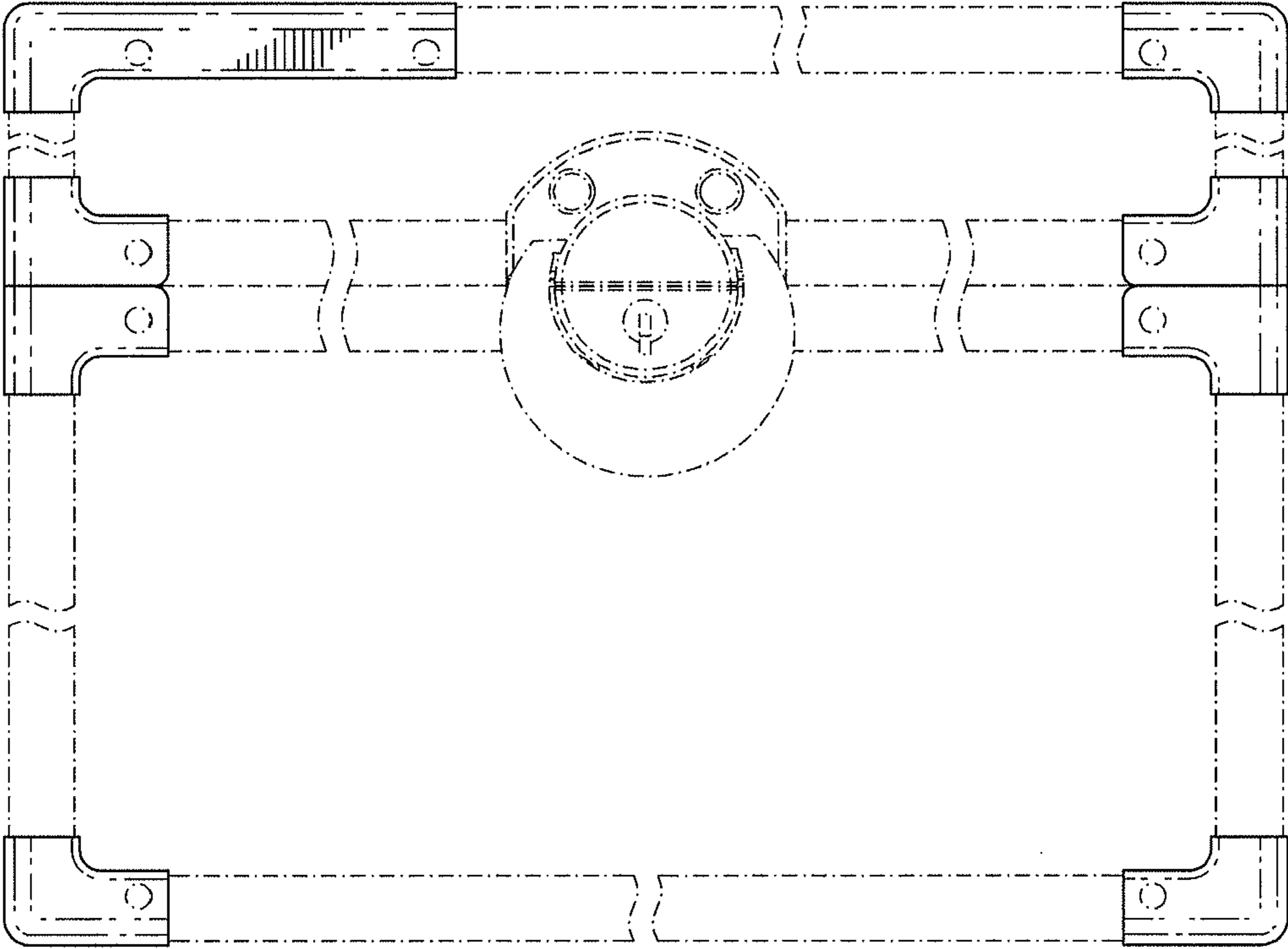


FIG. 2

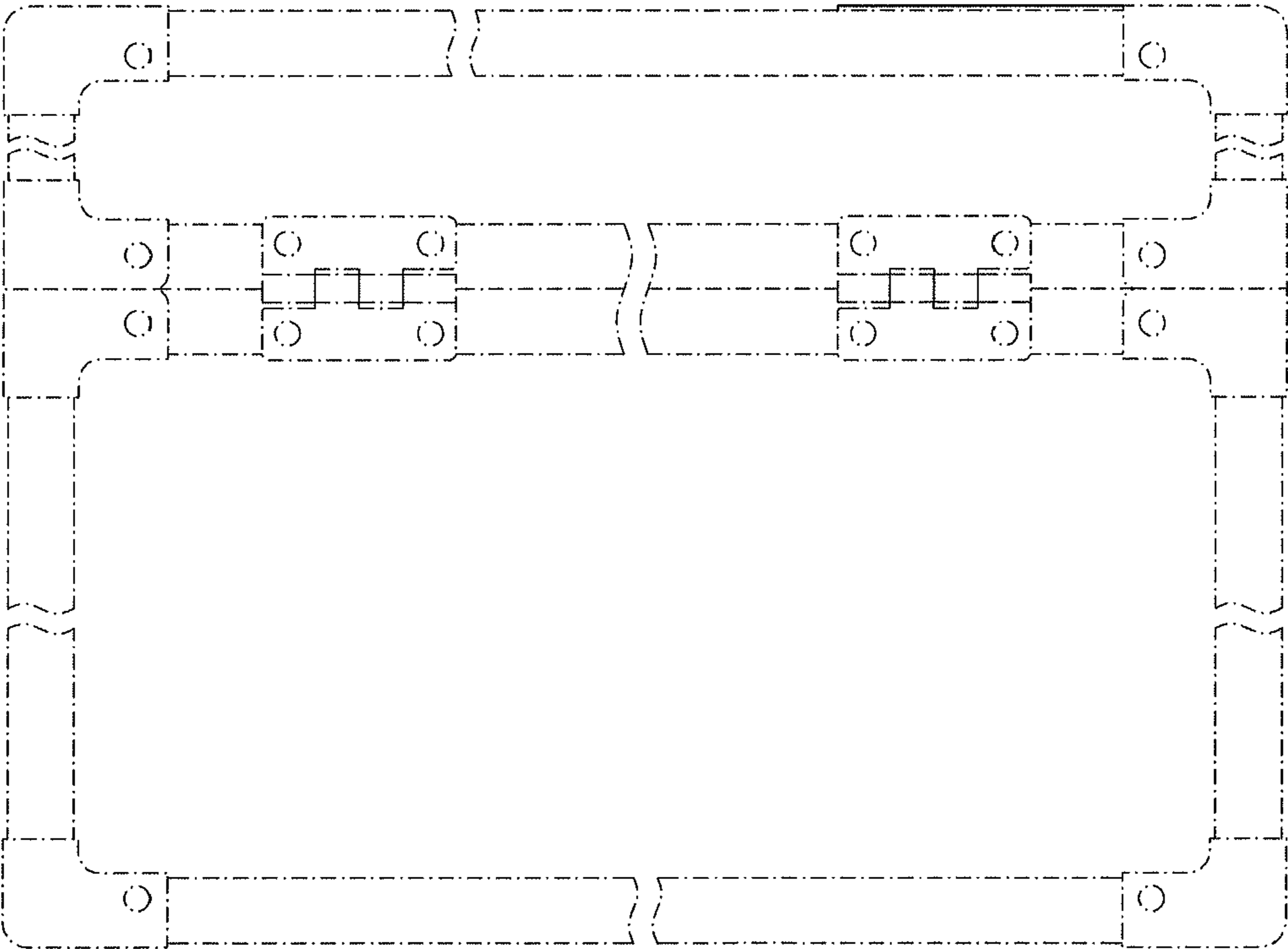


FIG. 3

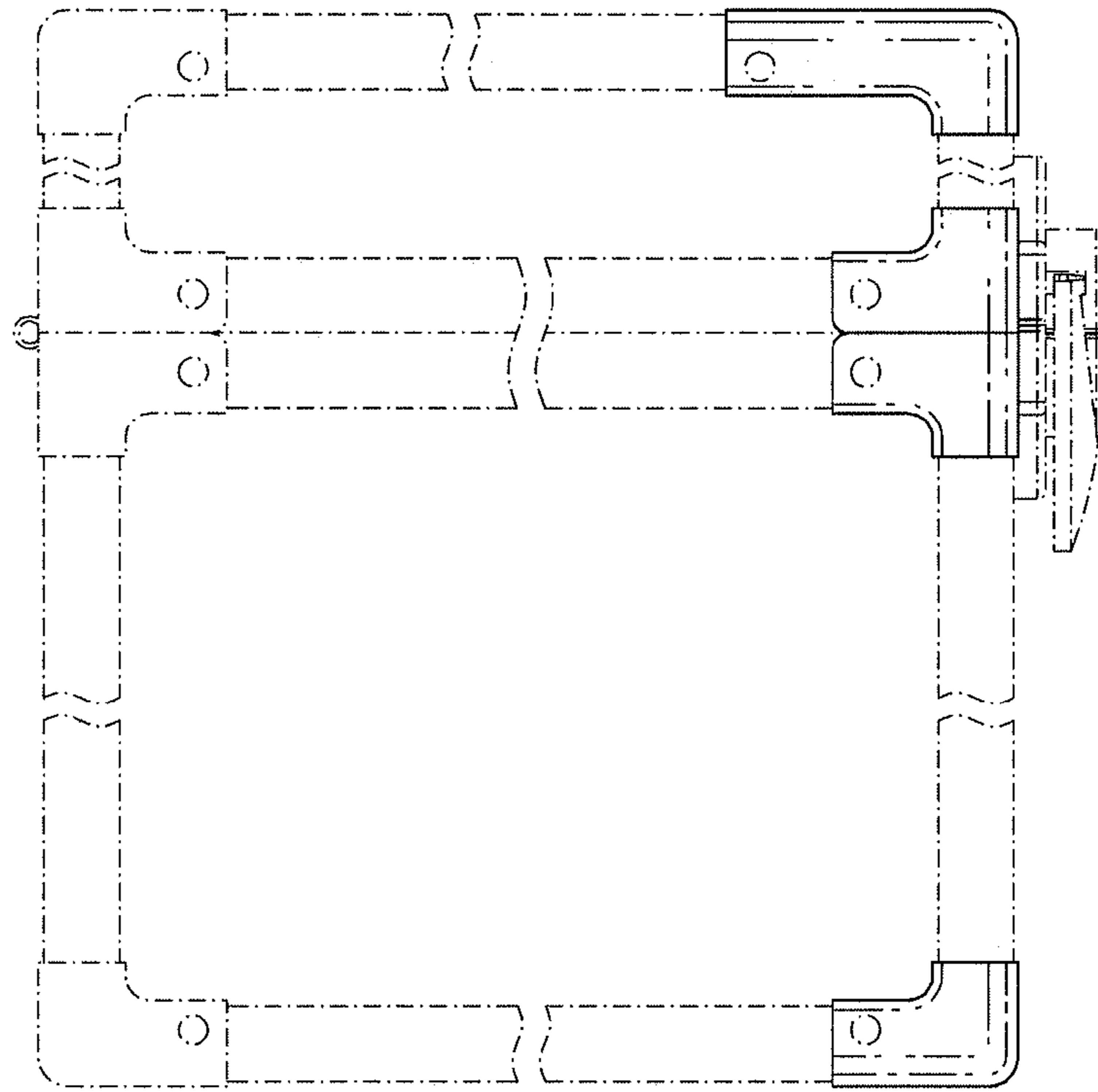


FIG. 4

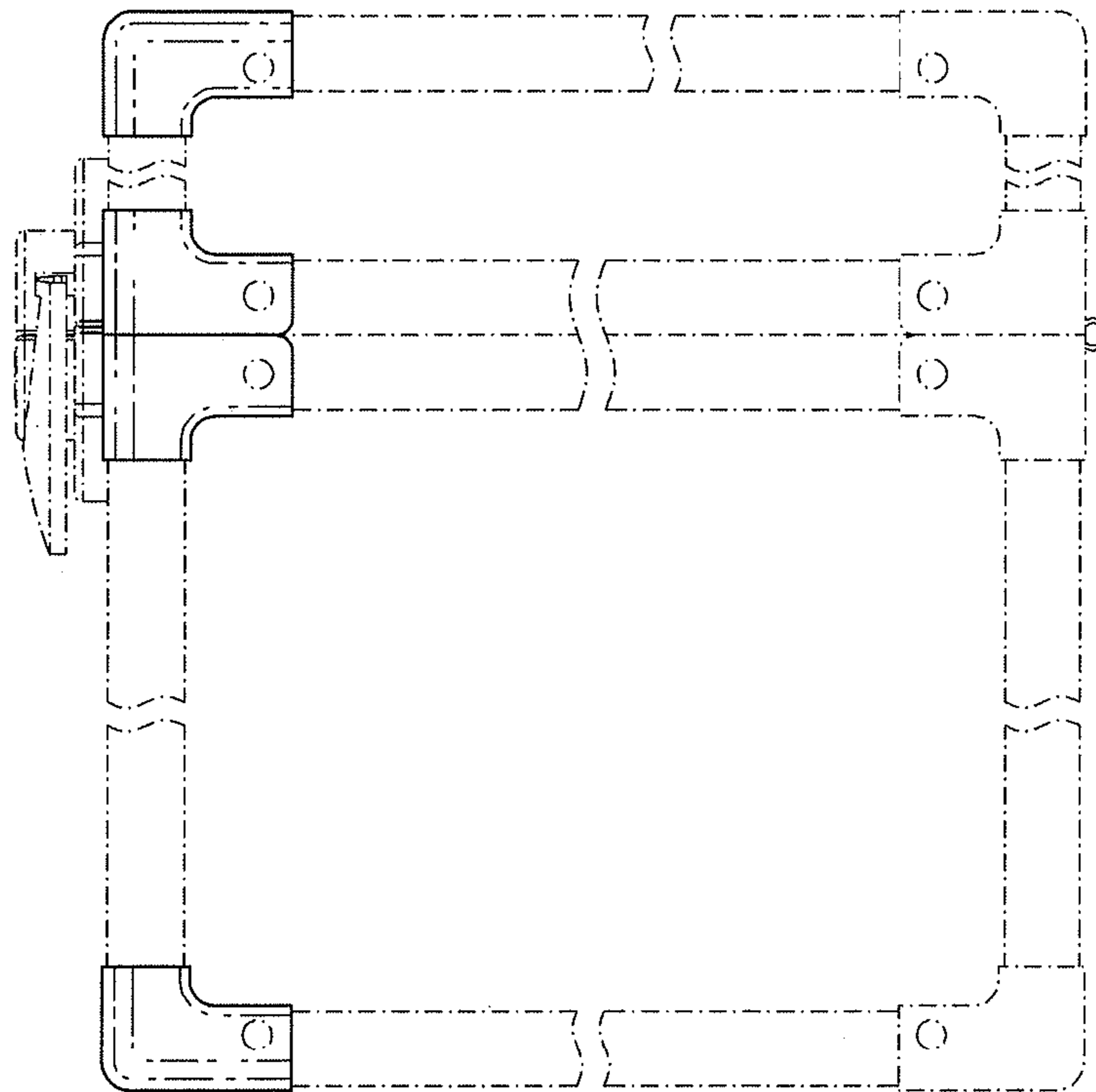


FIG. 5

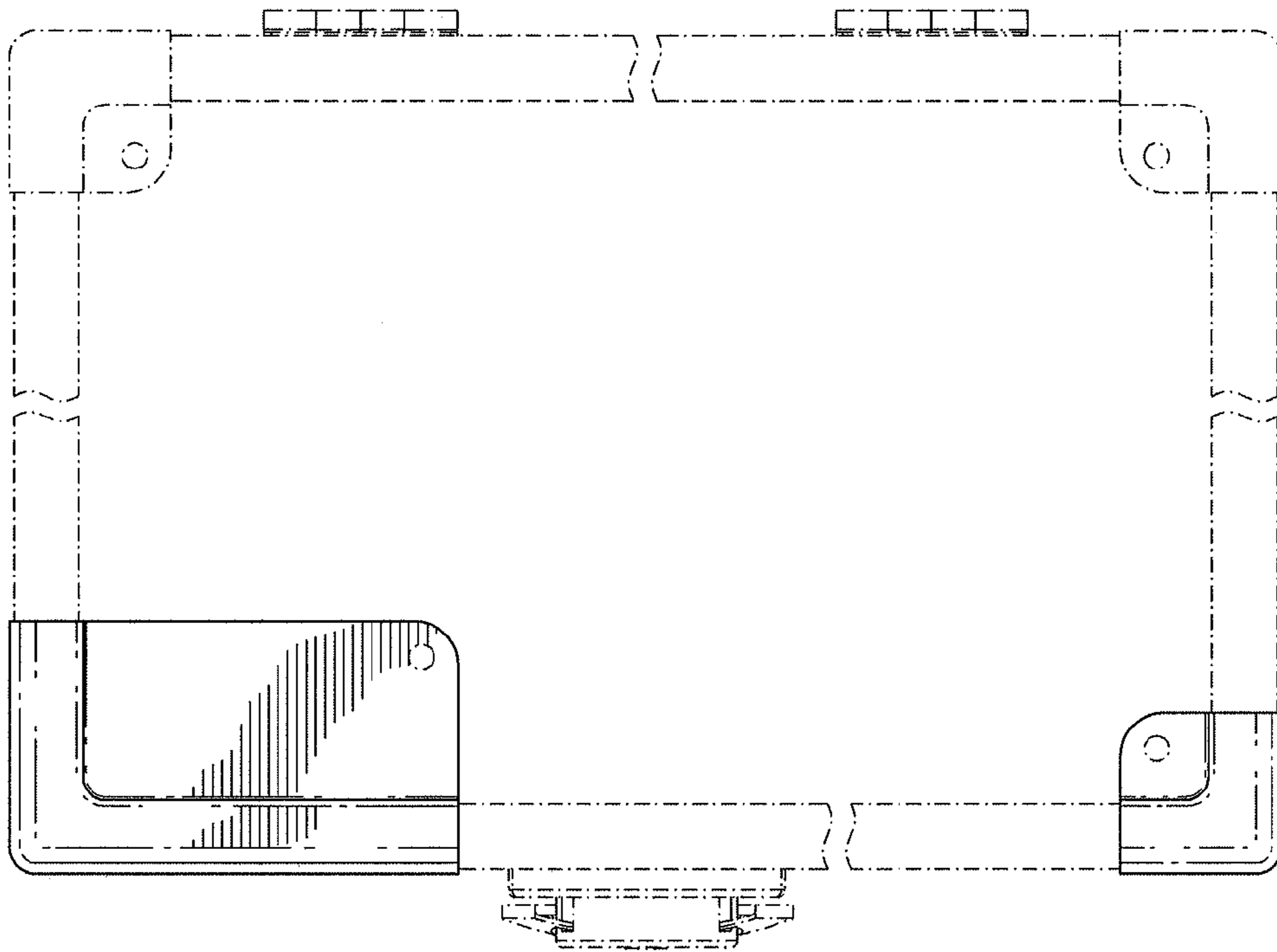


FIG. 6

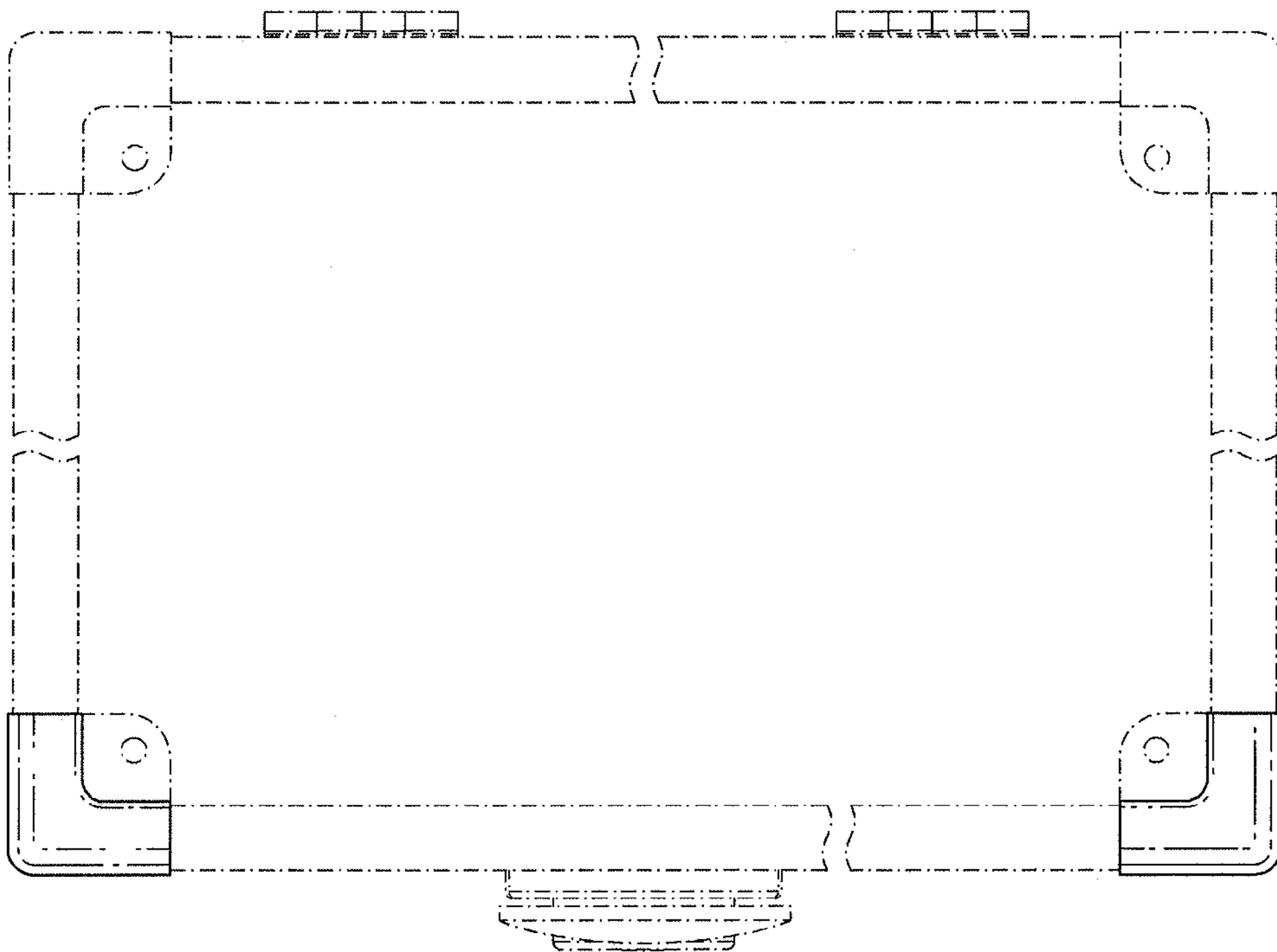


FIG. 7