



US00D668049S

(12) **United States Design Patent**
Buller

(10) **Patent No.:** **US D668,049 S**

(45) **Date of Patent:** **** Oct. 2, 2012**

(54) **WHEEL ASSEMBLY**

(75) Inventor: **Josh Buller**, New York, NY (US)

(73) Assignee: **Tumi, Inc.**, South Plainfield, NJ (US)

(**) Term: **14 Years**

(21) Appl. No.: **29/384,685**

(22) Filed: **Feb. 2, 2011**

(51) **LOC (9) Cl.** **03-01**

(52) **U.S. Cl.** **D3/318**

(58) **Field of Classification Search** D3/318;
190/115, 117, 119

See application file for complete search history.

(56) **References Cited**

U.S. PATENT DOCUMENTS

D575,957 S * 9/2008 Scicluna et al. D3/318
D582,678 S * 12/2008 Rekuc et al. D3/318

* cited by examiner

Primary Examiner — Holly Baynham

(74) *Attorney, Agent, or Firm* — Jon Fallon, Esq.

(57) **CLAIM**

What is claimed is the ornamental design for a wheel assembly, as shown and described.

DESCRIPTION

FIG. 1 depicts a perspective view of a wheel assembly, showing the novel design, as utilized with a suitcase; FIG. 2 depicts a perspective view of a wheel assembly, showing the novel design; and, FIG. 3 depicts a side view of a wheel assembly, showing the novel design.

In addition, the broken lines showing elements of the wheel are for the purpose of illustrating environment and form no part of the claimed design.

1 Claim, 2 Drawing Sheets

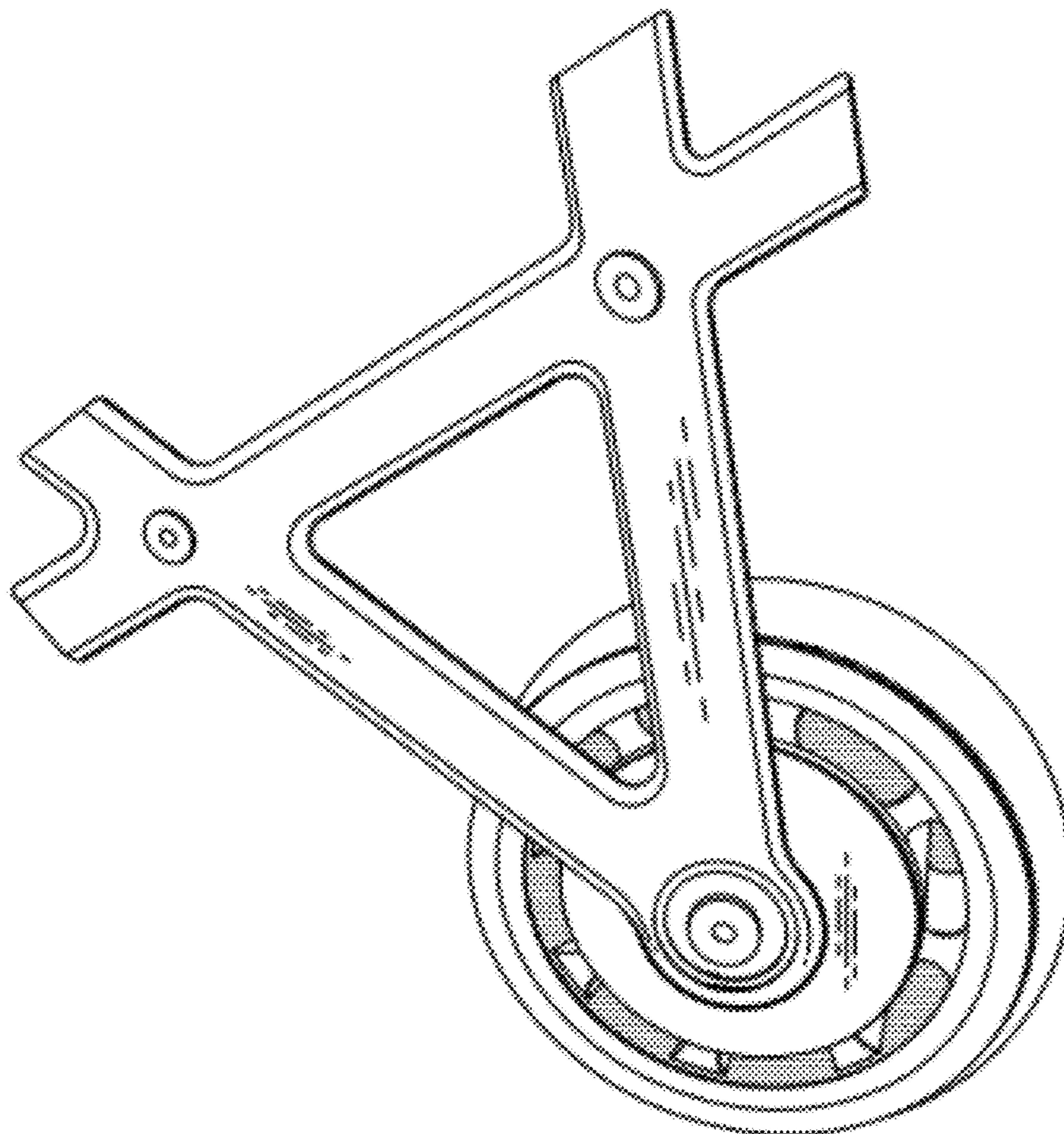


FIG. 1

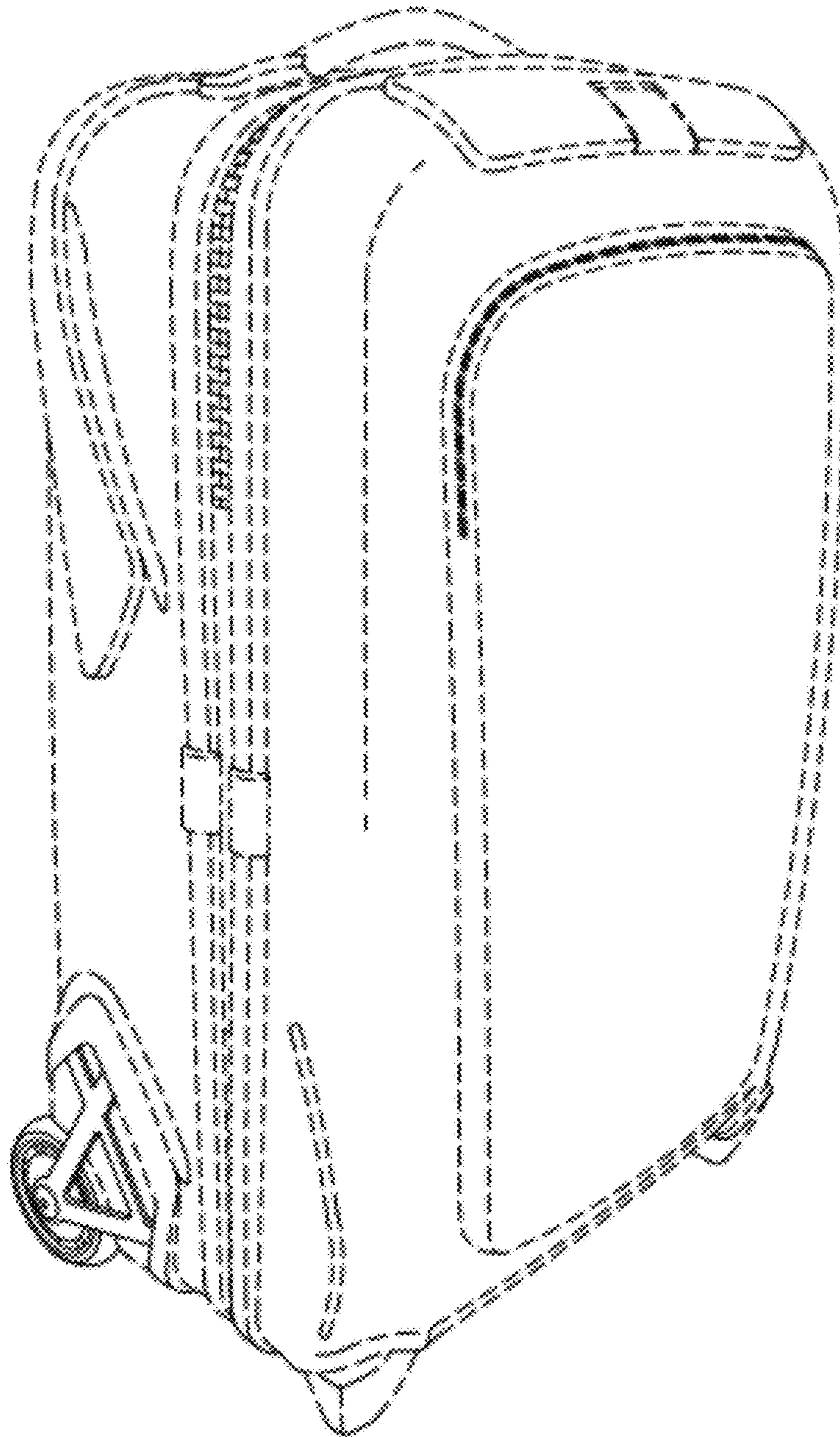


FIG. 2

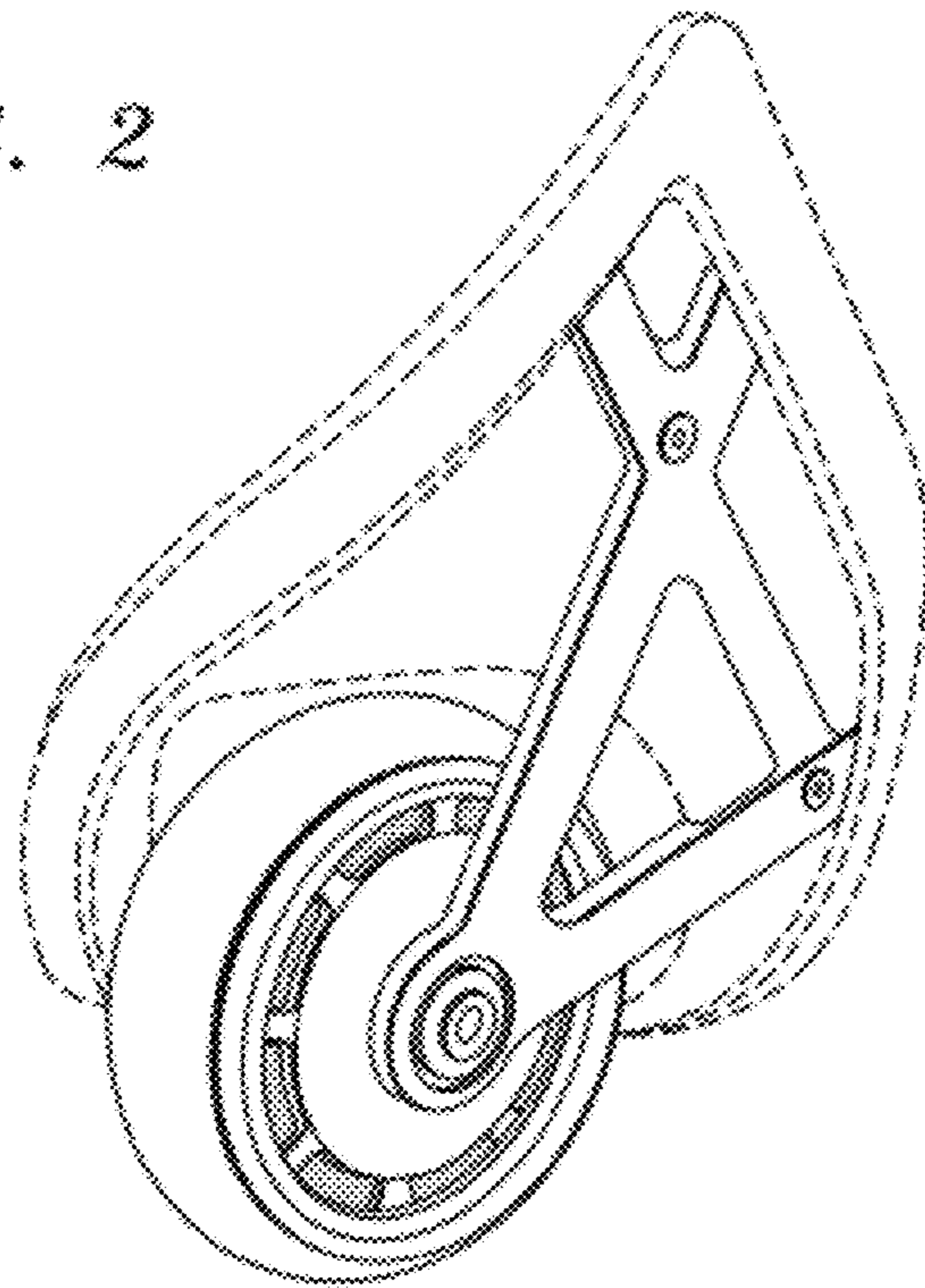


FIG. 3

