



US00D668048S

(12) **United States Design Patent**
Vilkomirski et al.

(10) **Patent No.:** **US D668,048 S**

(45) **Date of Patent:** **** Oct. 2, 2012**

(54) **STORAGE CONTAINER**

(75) Inventors: **Gil Vilkomirski**, Ein Vered (IL); **Zvika Fraiman**, Havazelet Hasharon (IL)

(73) Assignee: **The Stanley Works Israel Ltd.**, Rosh Ha' Ayin (IL)

(**) Term: **14 Years**

(21) Appl. No.: **29/419,894**

(22) Filed: **May 2, 2012**

Related U.S. Application Data

(62) Division of application No. 29/388,792, filed on Apr. 1, 2011.

(51) **LOC (9) Cl.** **03-01**

(52) **U.S. Cl.** **D3/281; D3/905**

(58) **Field of Classification Search** D3/254,
D3/260, 273, 276, 280, 281, 283-291, 301,
D3/302, 303, 905; 220/523, 524, 527; 206/349,
206/372-379; 190/109, 111, 115, 107, 126,
190/903; D7/605

See application file for complete search history.

(56) **References Cited**

U.S. PATENT DOCUMENTS

D417,956	S	*	12/1999	Story et al.	D3/295
D467,426	S	*	12/2002	Hardigg et al.	D3/279
D523,242	S	*	6/2006	Hardigg et al.	D3/276
D527,181	S	*	8/2006	Henning et al.	D3/276
D600,912	S	*	9/2009	Brunner	D3/291
D627,968	S	*	11/2010	Brunner	D3/281

D640,056	S	*	6/2011	Twig et al.	D3/281
D647,300	S	*	10/2011	Shitrit et al.	D3/281
2004/0134818	A1	*	7/2004	Cunningham et al.	206/373

* cited by examiner

Primary Examiner — Jennifer Rivard

(74) *Attorney, Agent, or Firm* — Pillsbury Winthrop Shaw Pittman LLP

(57) **CLAIM**

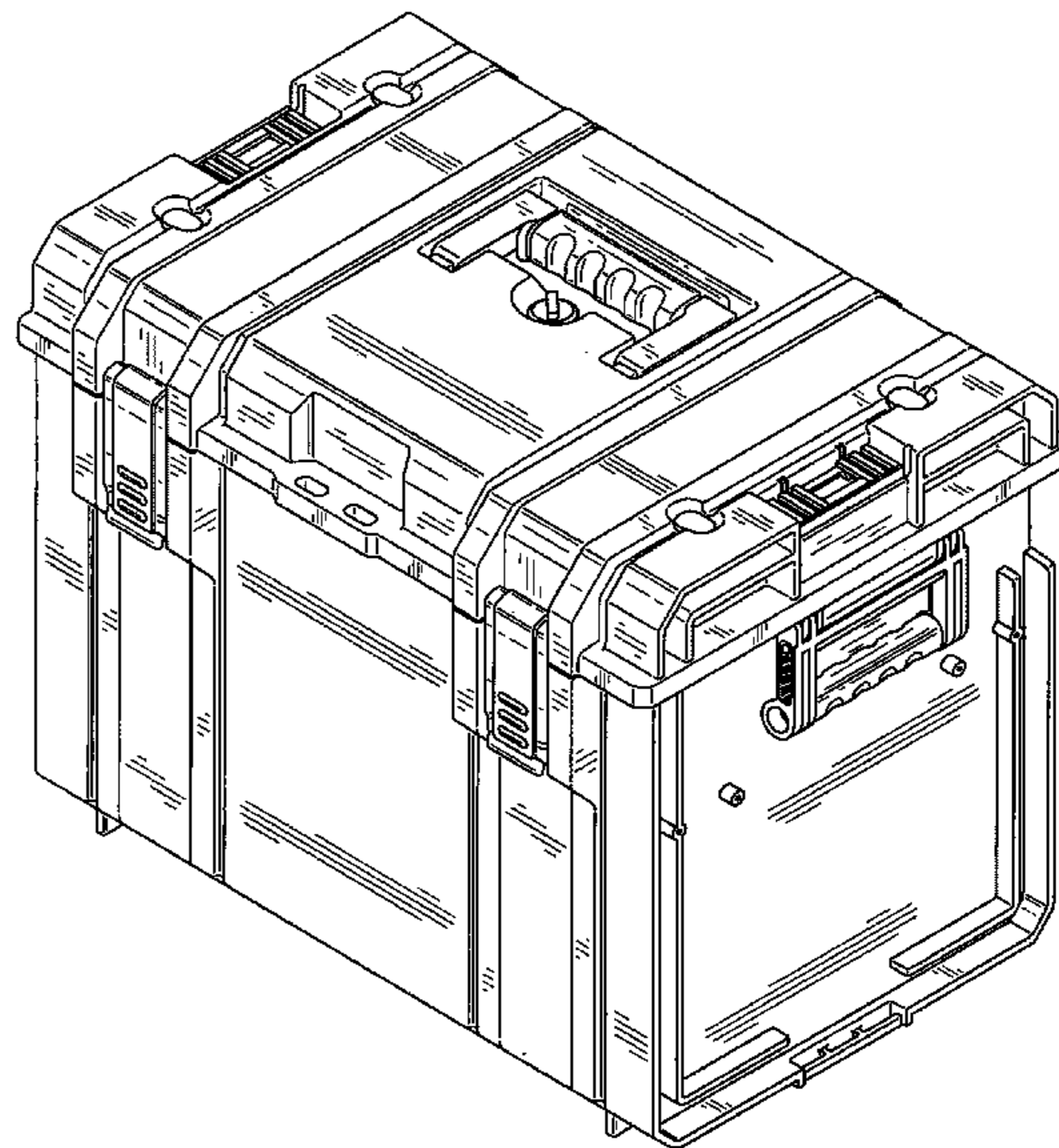
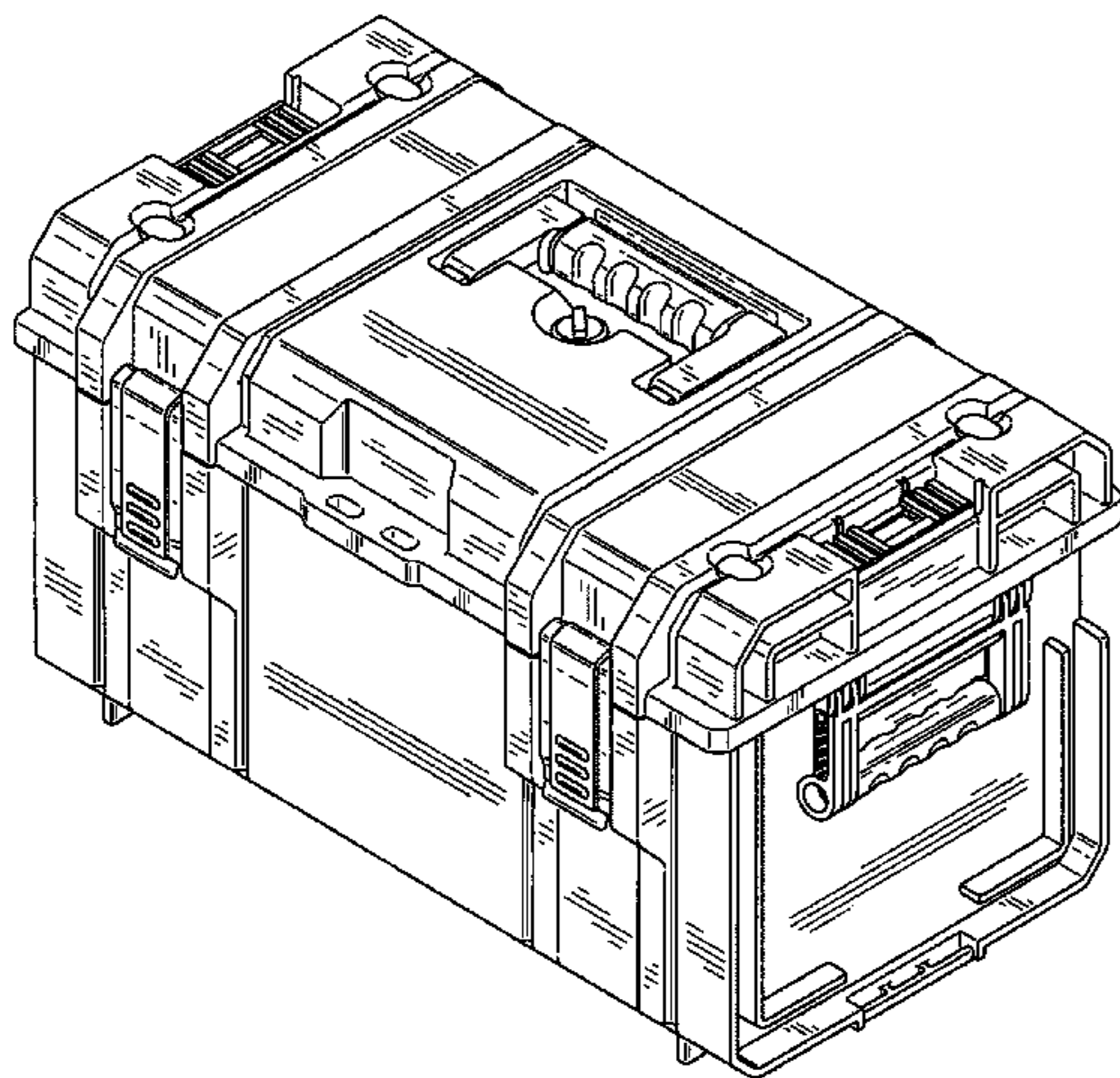
The ornamental design for a storage container, as shown and described.

DESCRIPTION

FIG. 1 is an isometric view according to our design; FIG. 2 is a front elevation view of the design of FIG. 1; FIG. 3 is a rear elevation view of the design of FIG. 1; FIG. 4 is a right elevation view of the design of FIG. 1; FIG. 5 is a left elevation view of the design of FIG. 1; FIG. 6 is a top plan view of the design of FIG. 1; and FIG. 7 is a bottom plan view of the design of FIG. 1; In accordance with a second embodiment of the present invention:

FIG. 8 is an isometric view according to our design; FIG. 9 is a front elevation view of the design of FIG. 8; FIG. 10 is a rear elevation view of the design of FIG. 8; FIG. 11 is a left elevation view of the design of FIG. 8; FIG. 12 is a right elevation view of the design of FIG. 8; FIG. 13 is a top plan view of the design of FIG. 8; and, FIG. 14 is a bottom plan view of the design of FIG. 8.

1 Claim, 14 Drawing Sheets



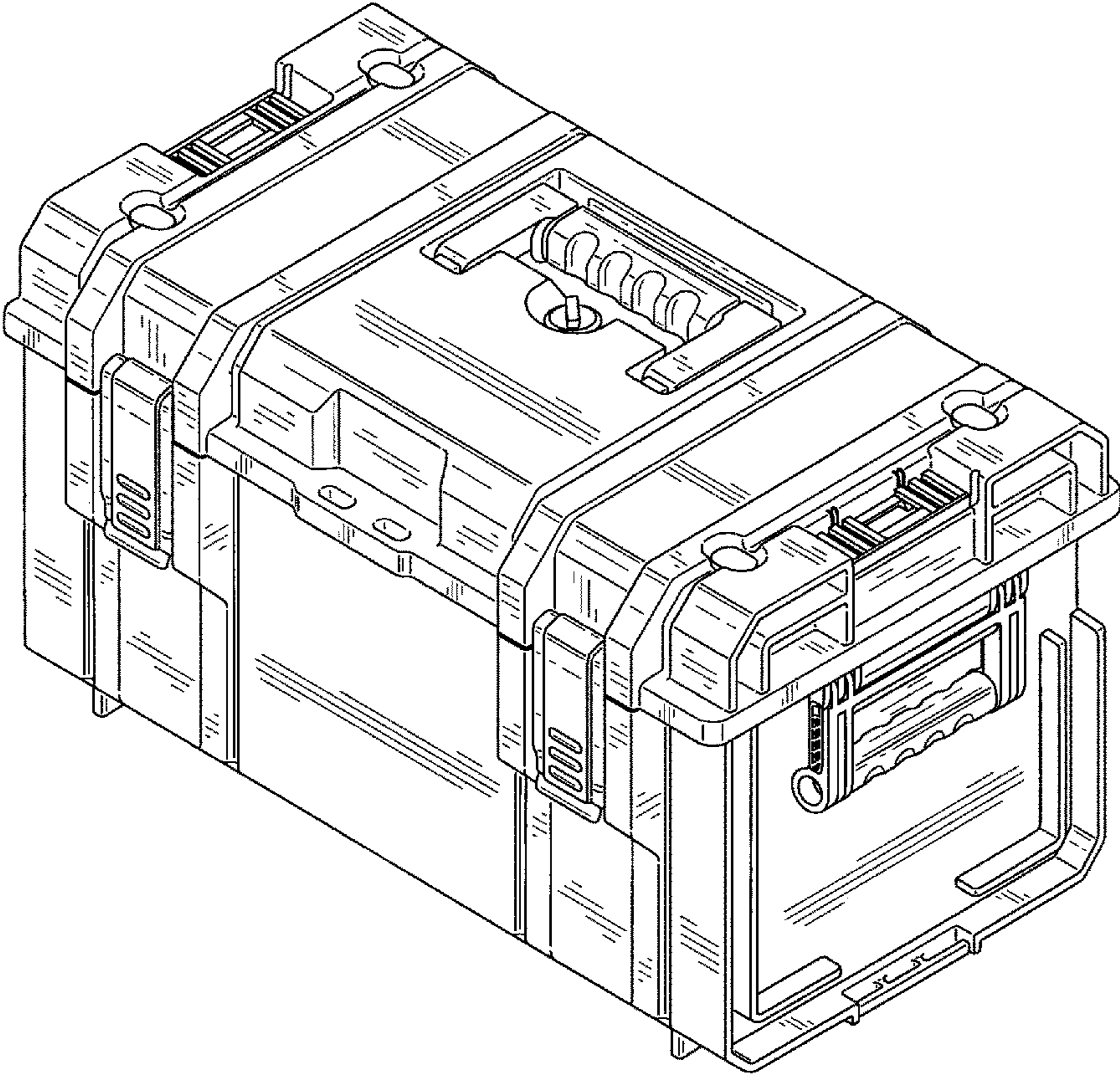


FIG. 1

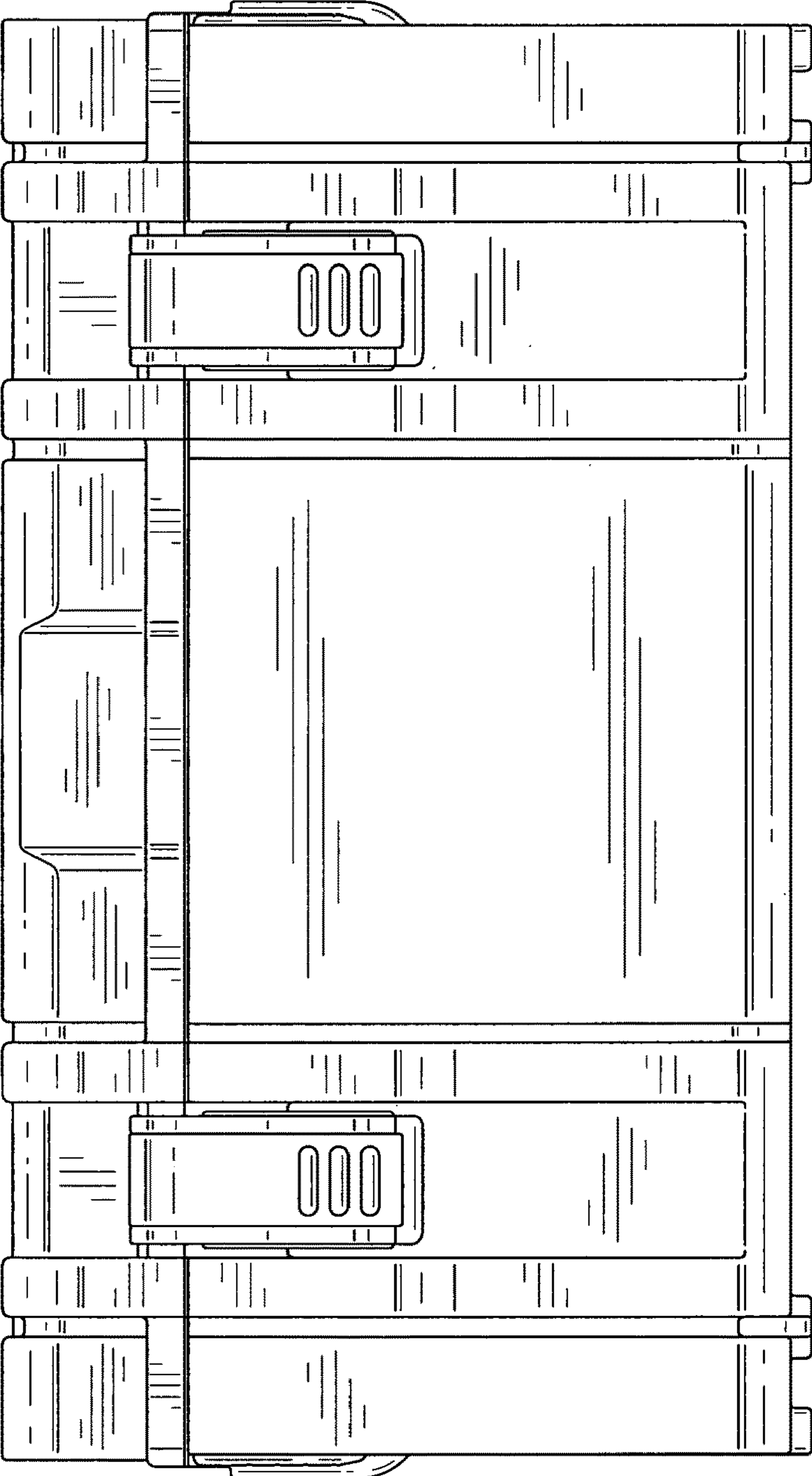


FIG. 2

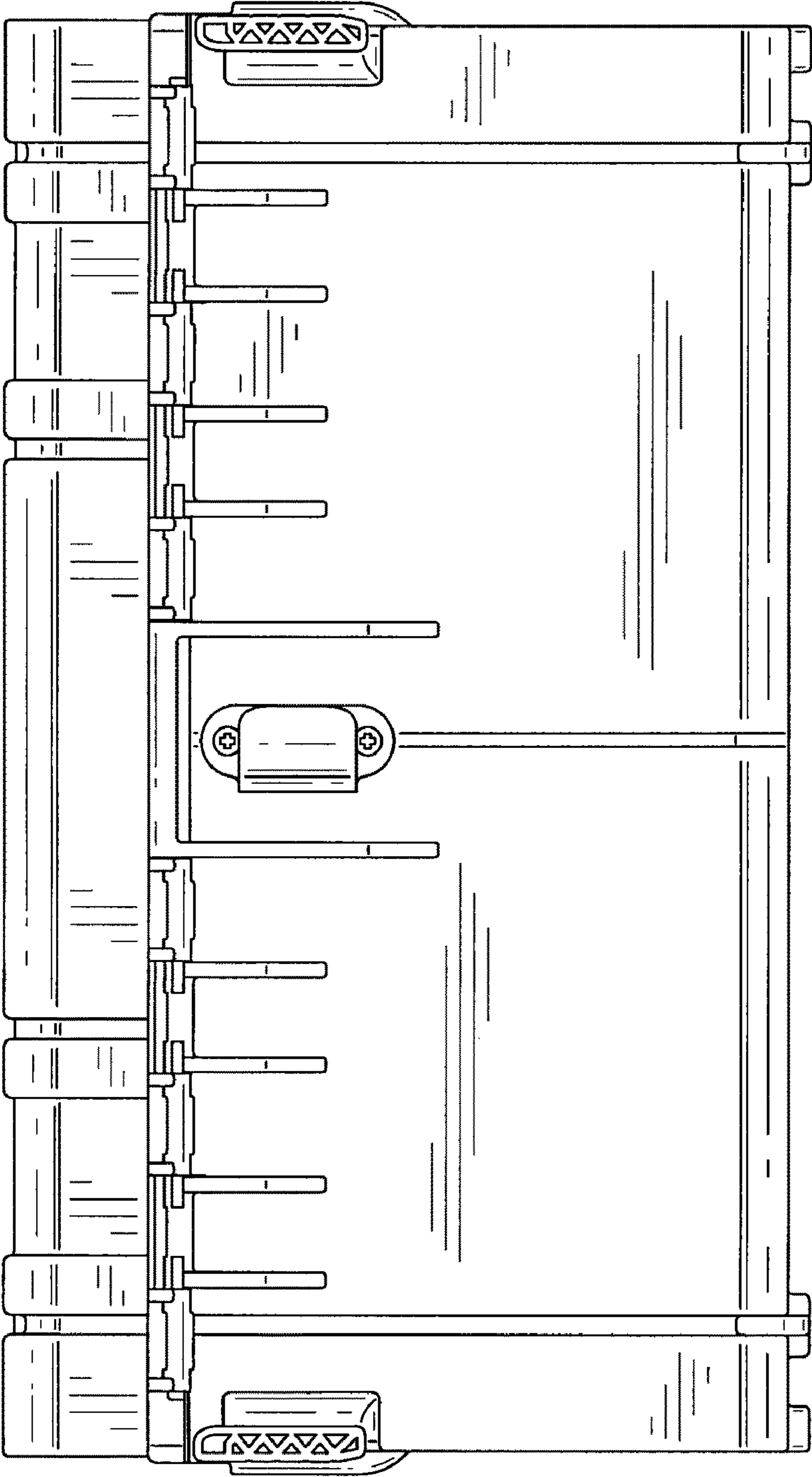


FIG. 3

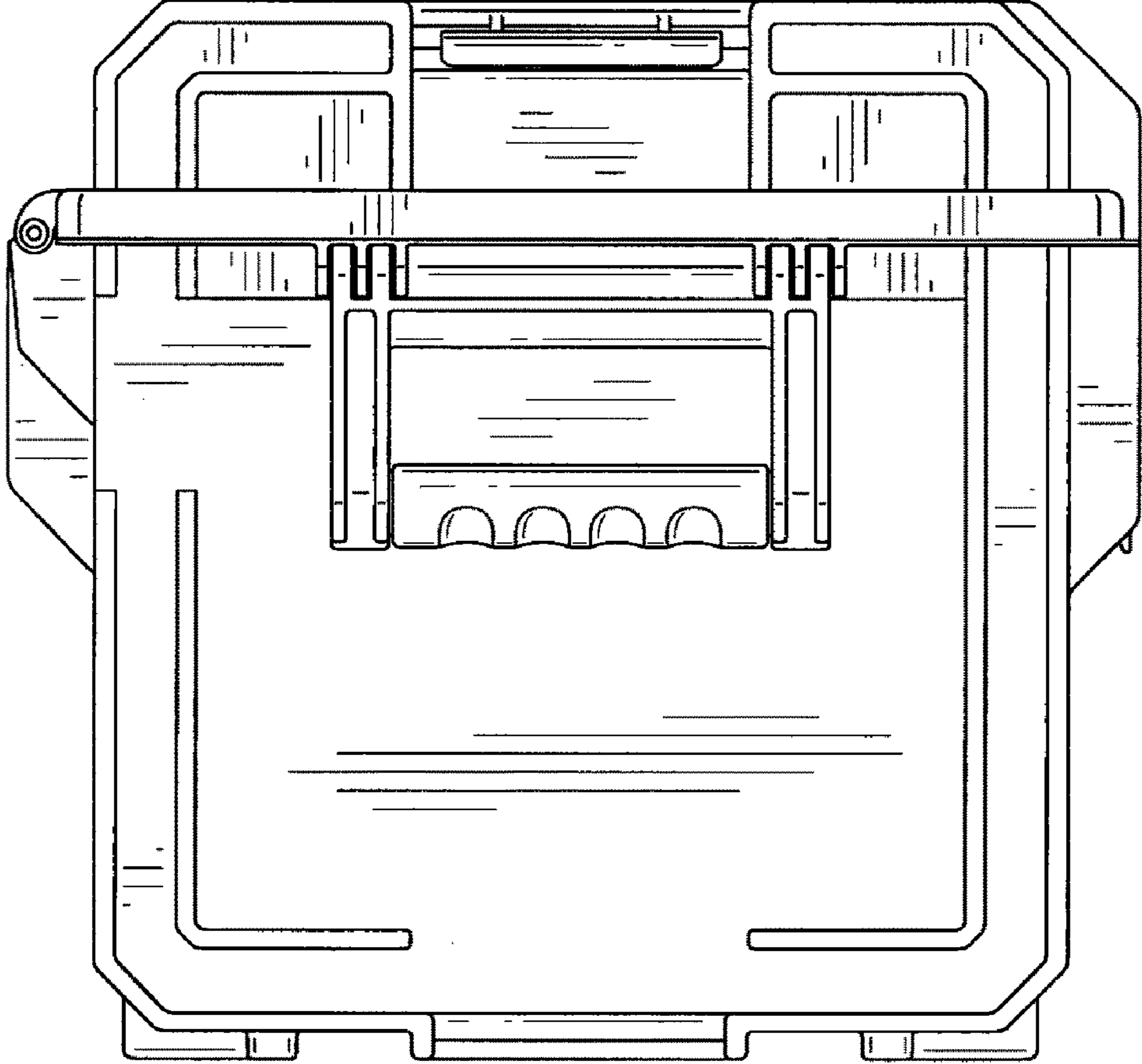


FIG. 4

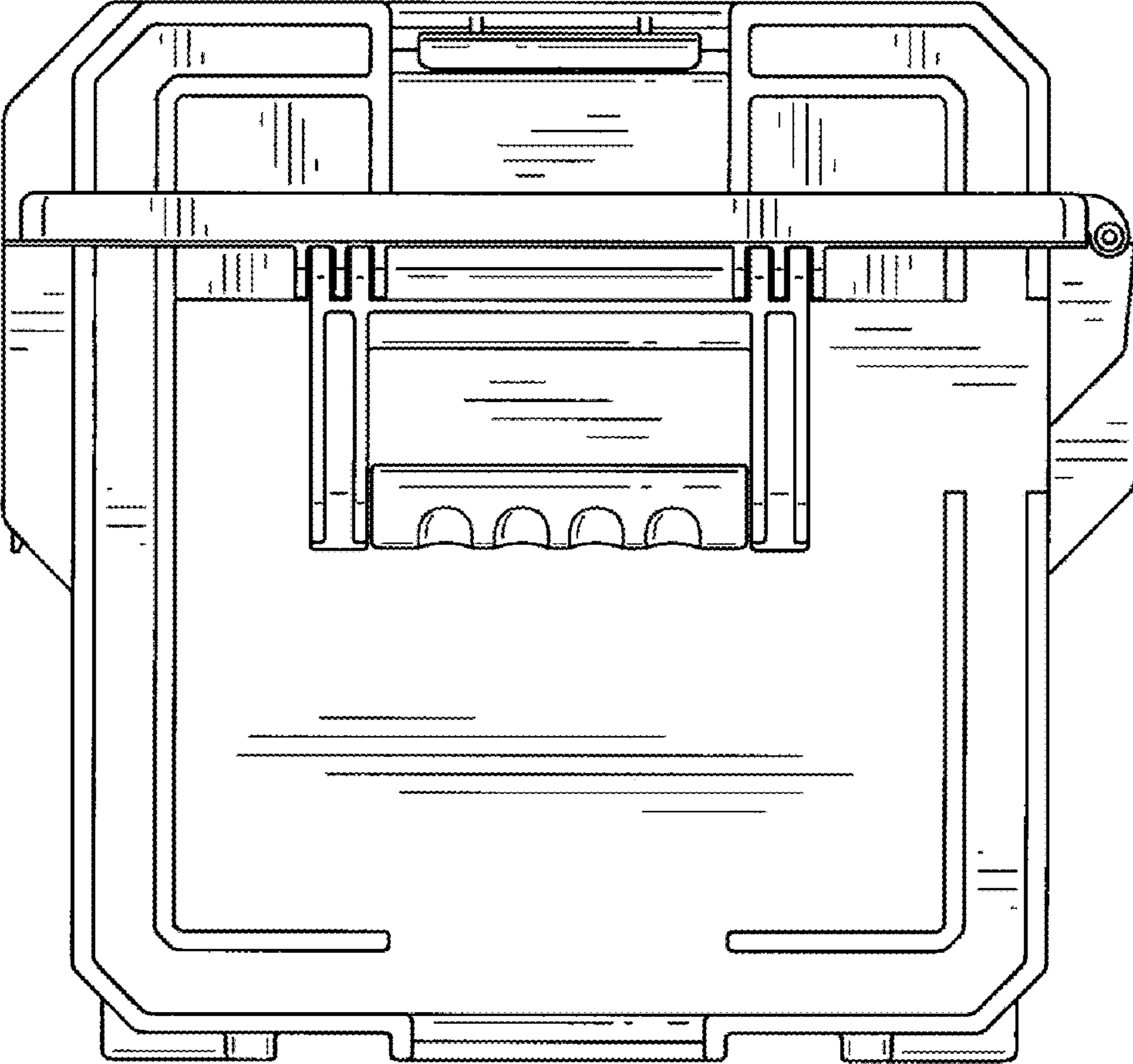


FIG. 5

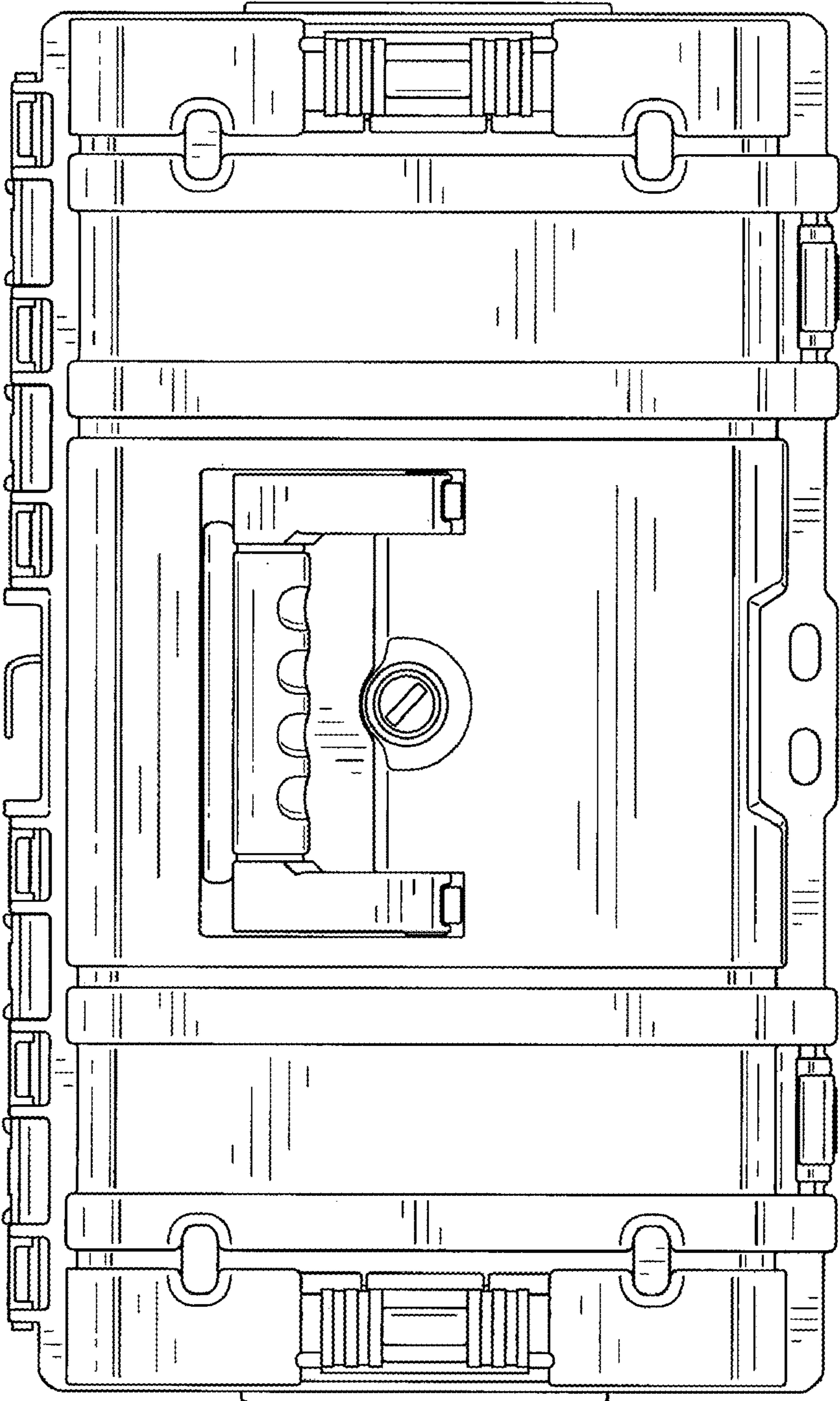


FIG. 6

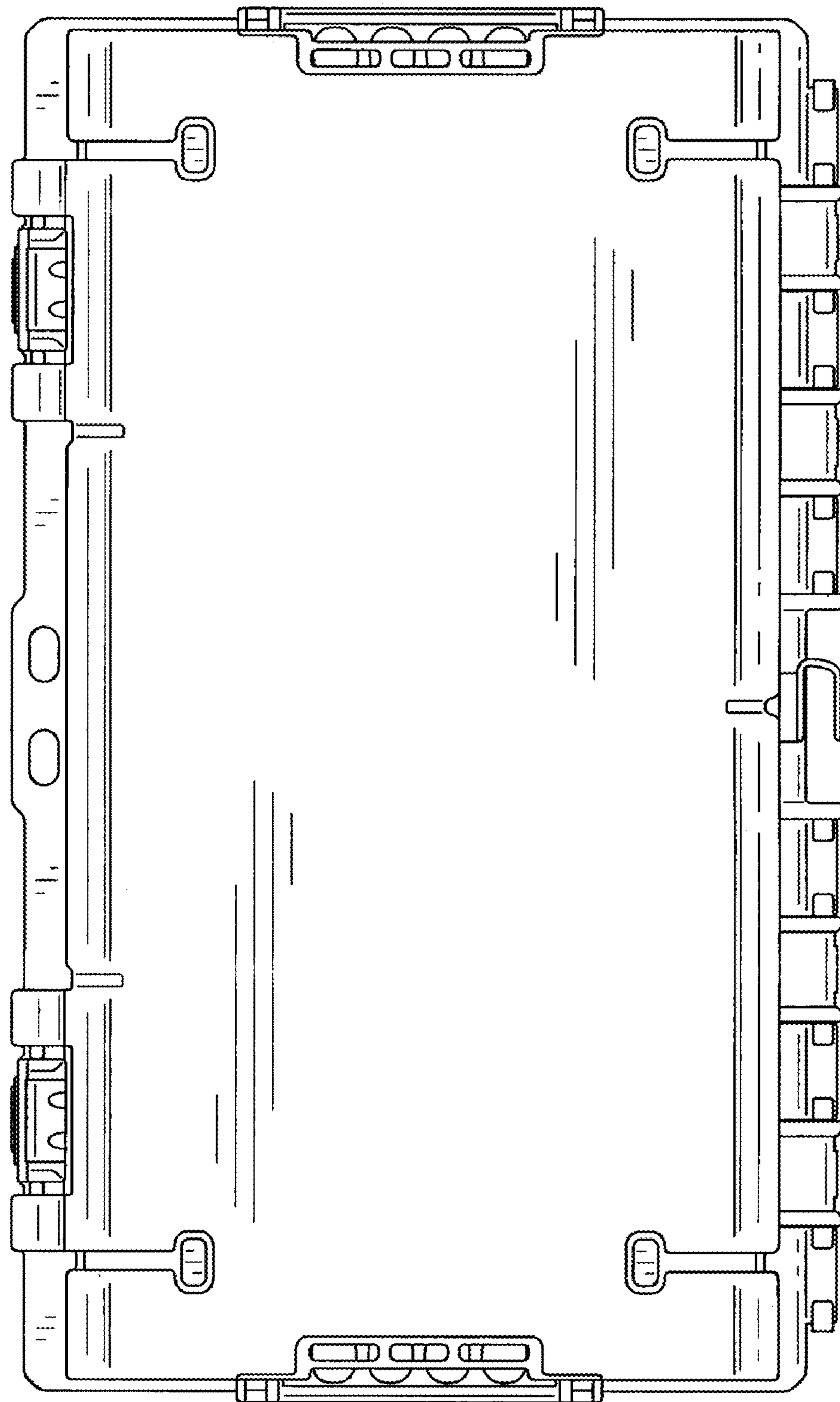


FIG. 7

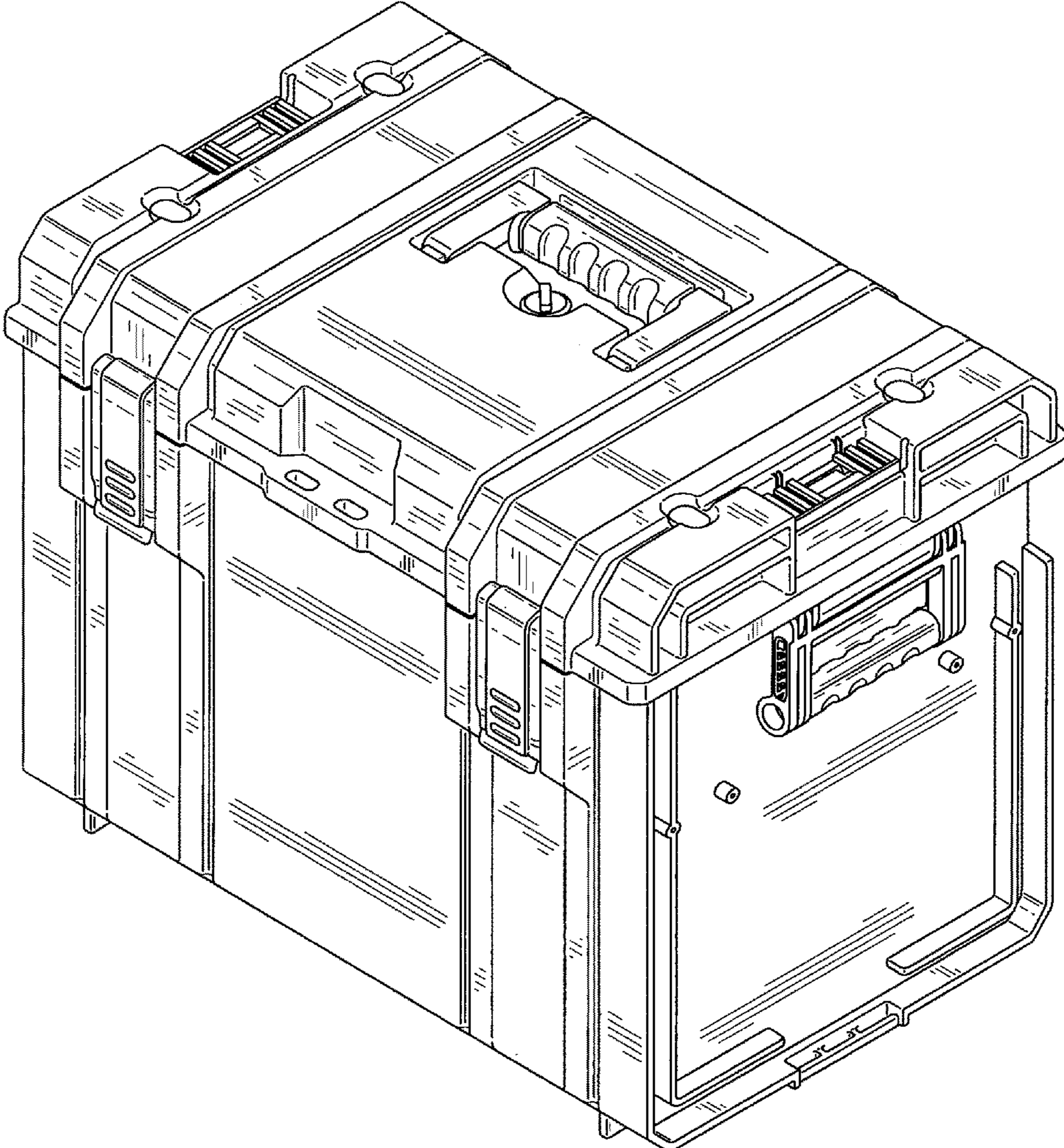


FIG. 8

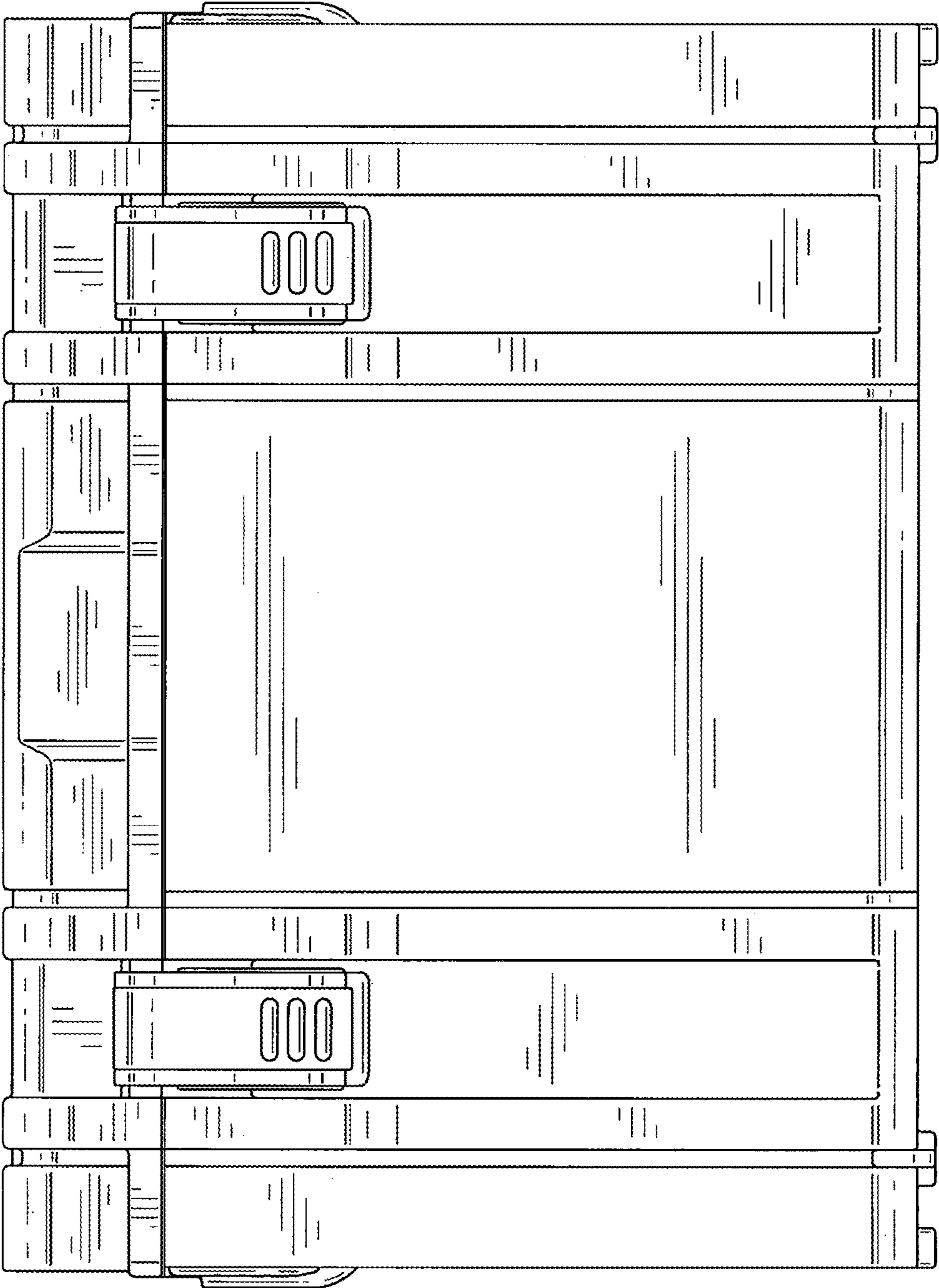


FIG. 9

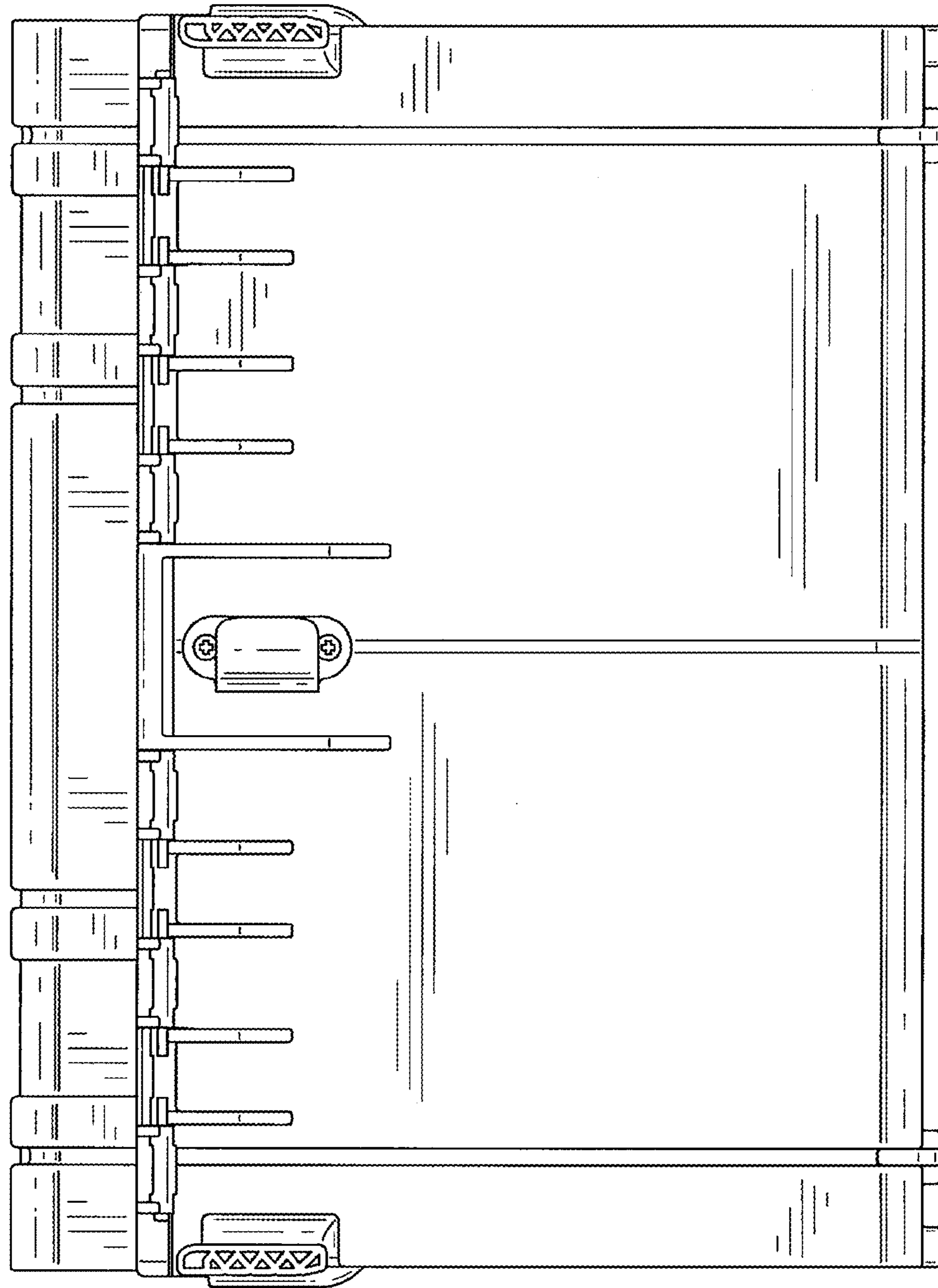


FIG. 10

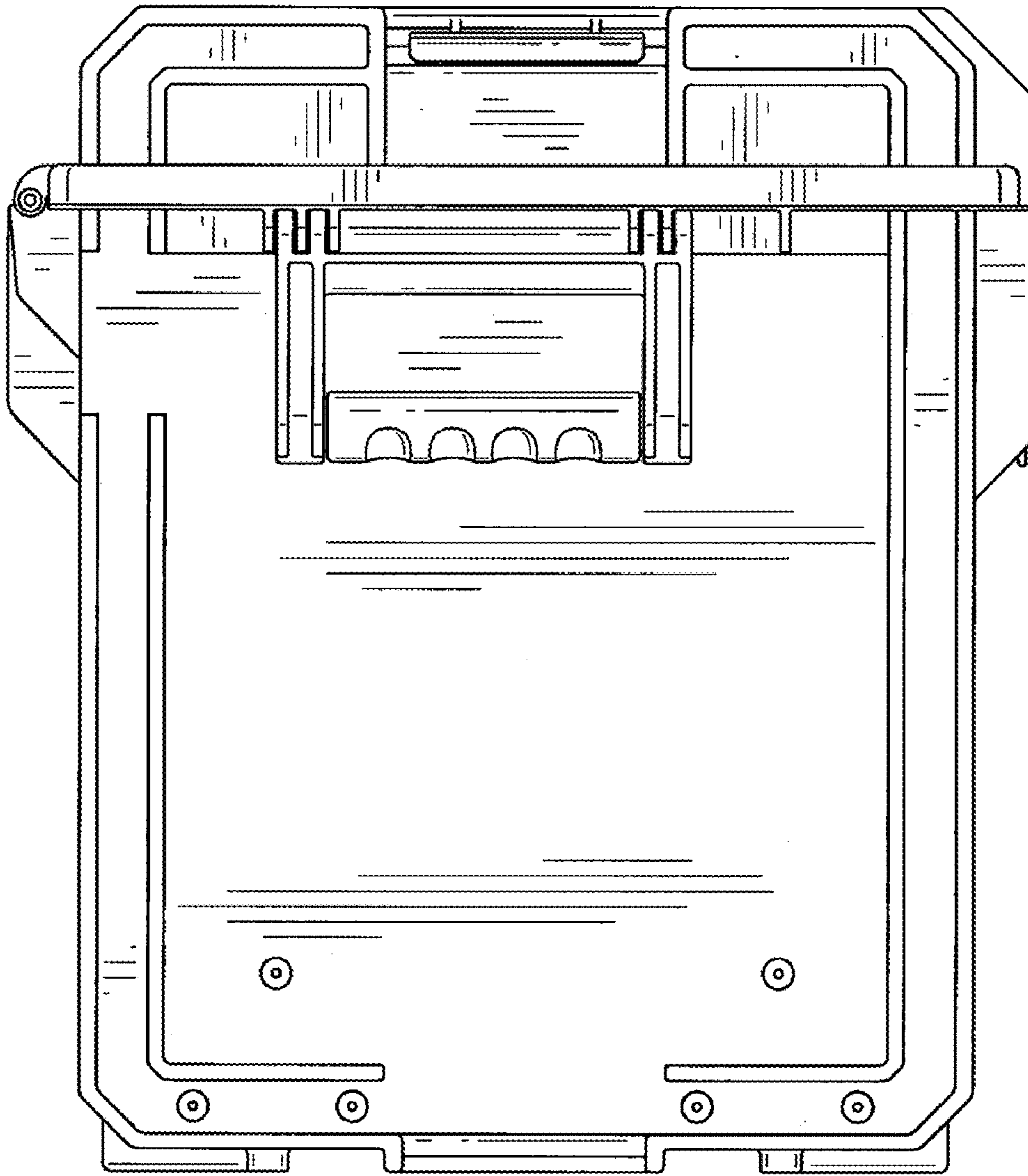


FIG. 11

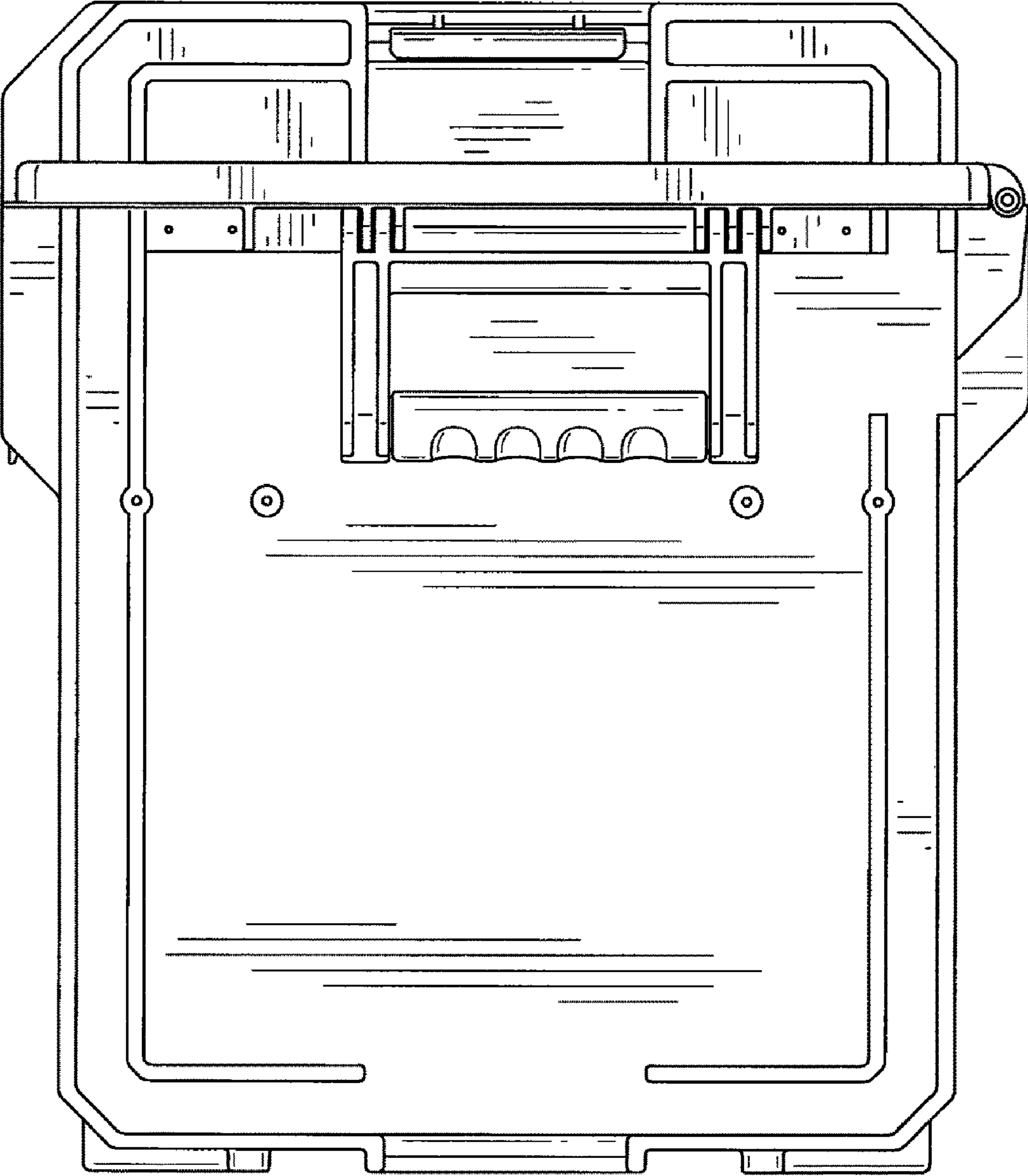


FIG. 12

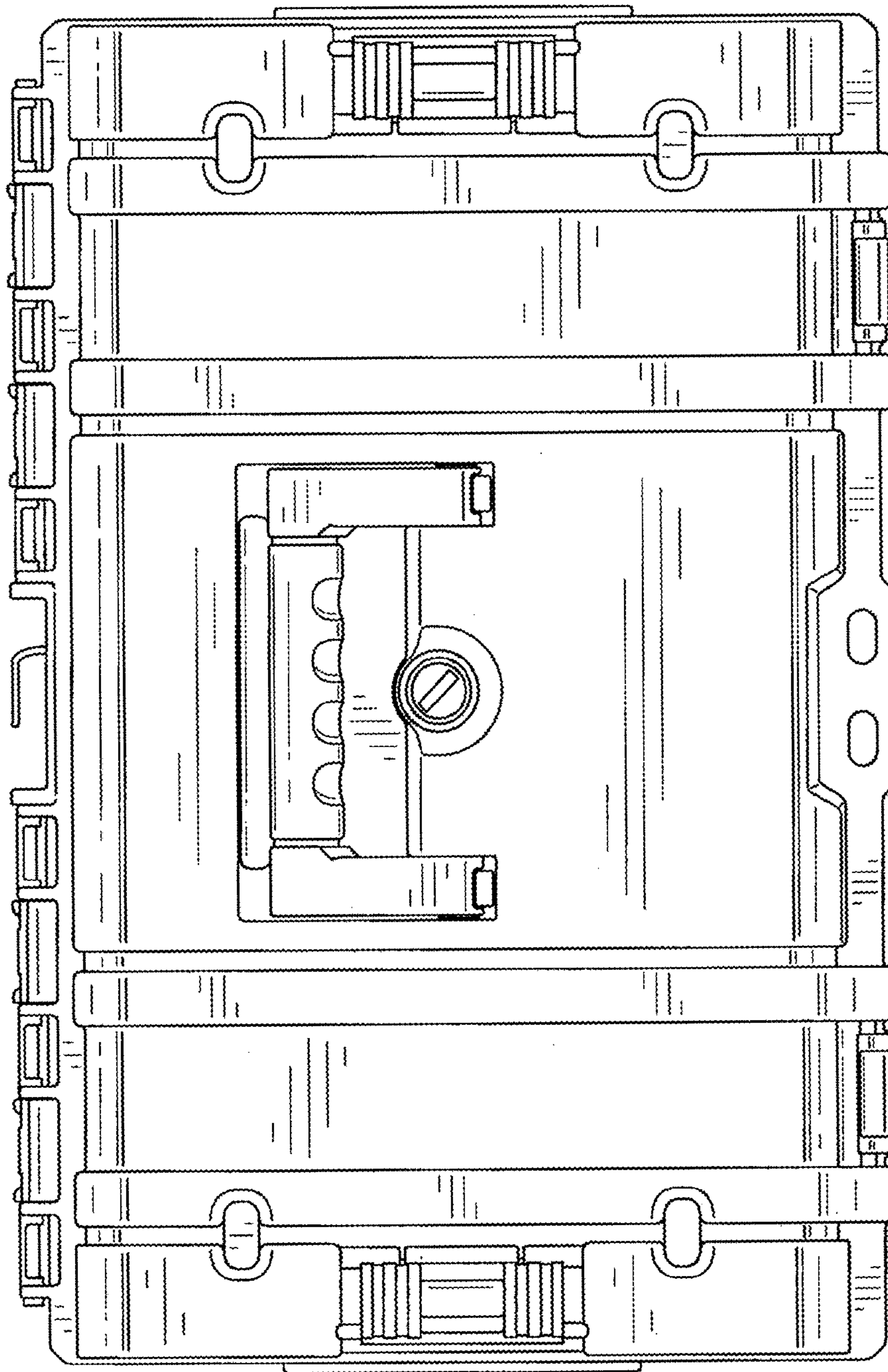


FIG. 13

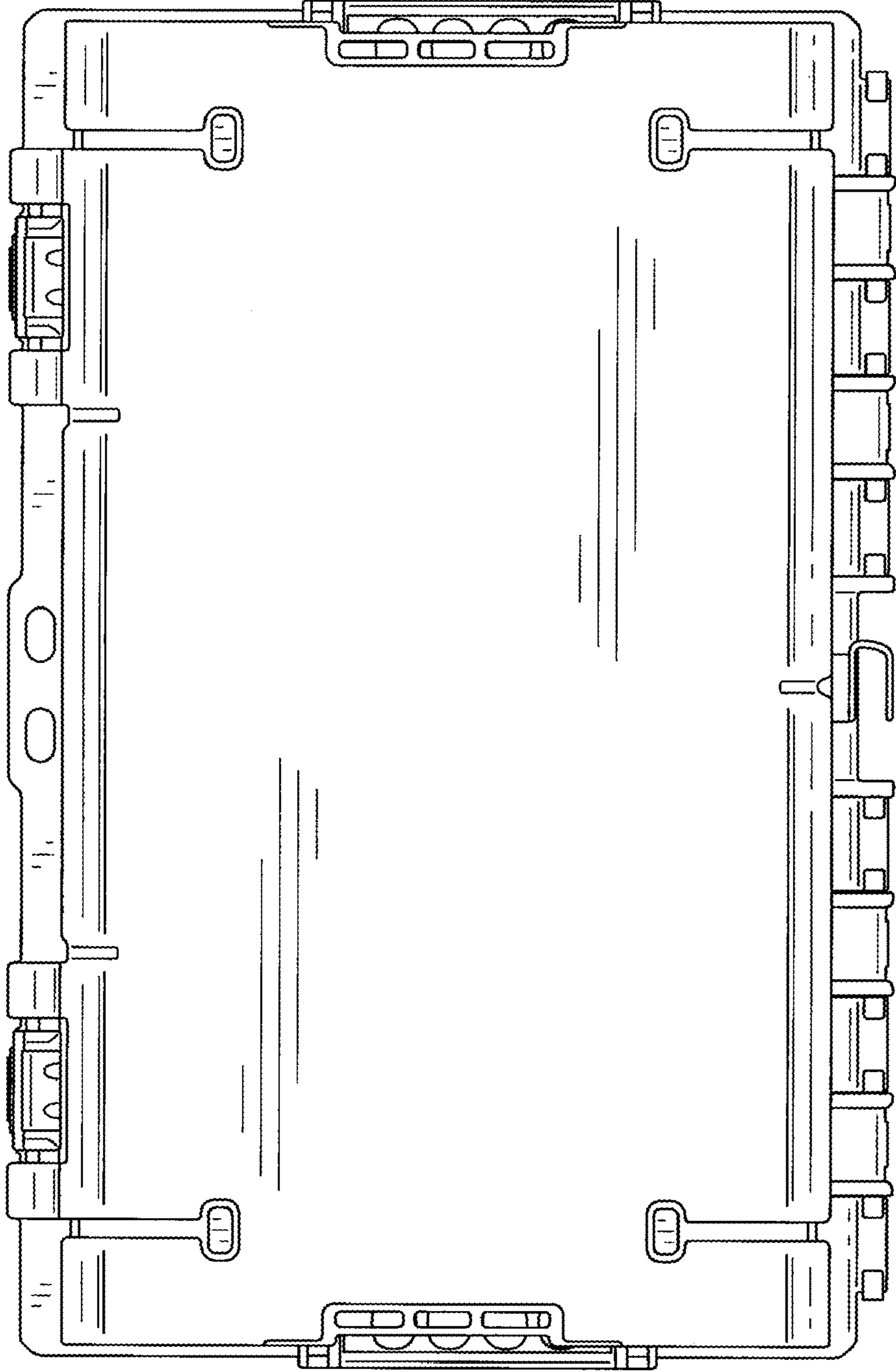


FIG. 14