



US00D668047S

(12) **United States Design Patent**
Cenzano et al.

(10) **Patent No.:** **US D668,047 S**

(45) **Date of Patent:** **** Oct. 2, 2012**

(54) **STORAGE BOX**

(75) Inventors: **Lauren Cenzano**, East Northport, NY (US); **Doug Mudd**, O'Fallon, MO (US)

(73) Assignee: **Esselte Corporation**, Melville, NY (US)

(**) Term: **14 Years**

(21) Appl. No.: **29/384,490**

(22) Filed: **Jan. 31, 2011**

(51) **LOC (9) Cl.** **03-01**

(52) **U.S. Cl.** **D3/272; D3/294; D99/28**

(58) **Field of Classification Search** **D3/272, D3/273, 292, 294-297, 900, 276, 318, 321, D3/322, 323; 190/19, 23, 37, 40, 900; D99/28**
See application file for complete search history.

(56) **References Cited**

U.S. PATENT DOCUMENTS

D67,730 S * 6/1925 Wheary D3/272
(Continued)

Primary Examiner — Jennifer Rivard

(74) *Attorney, Agent, or Firm* — Dorsey & Whitney LLP

(57) **CLAIM**

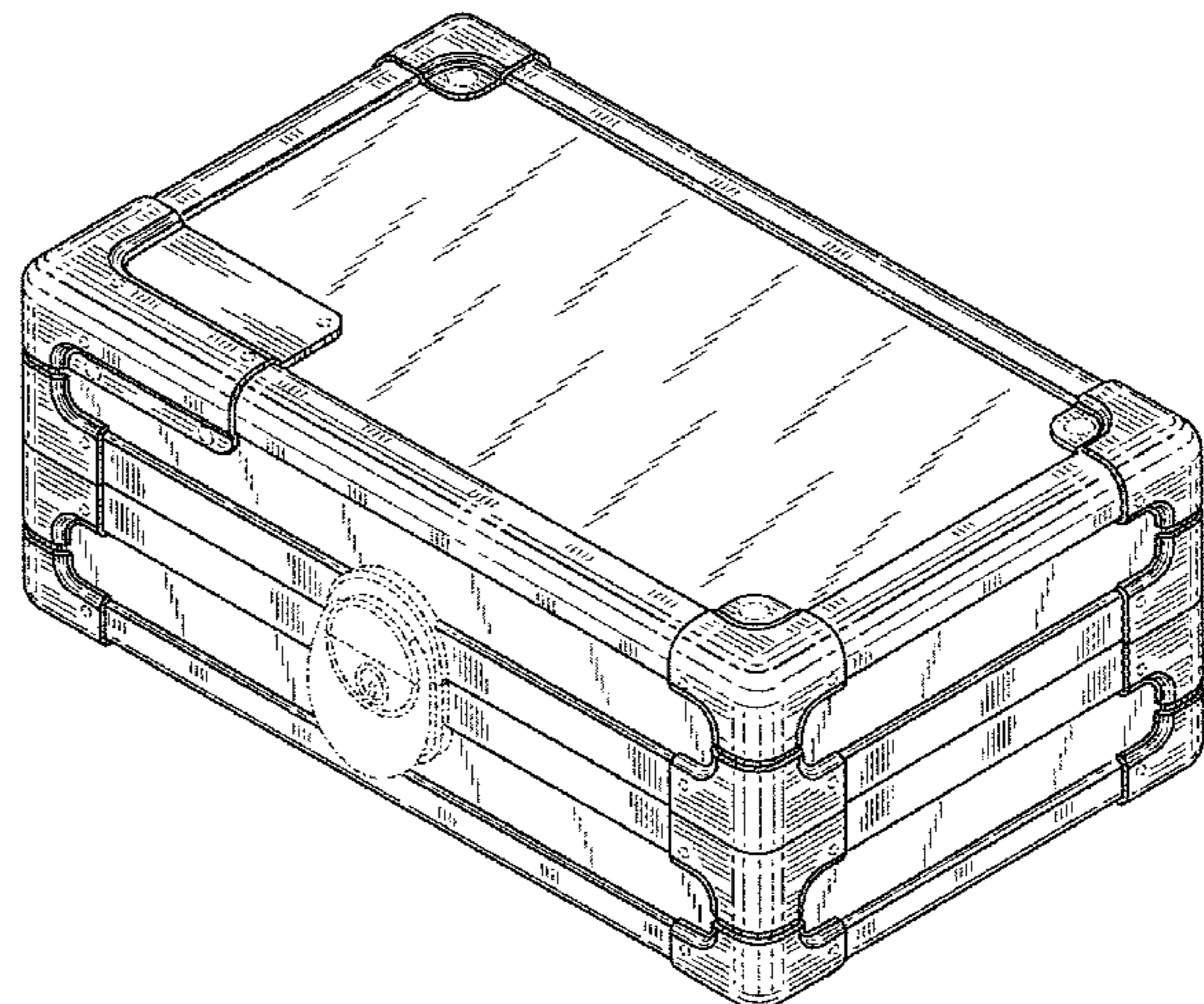
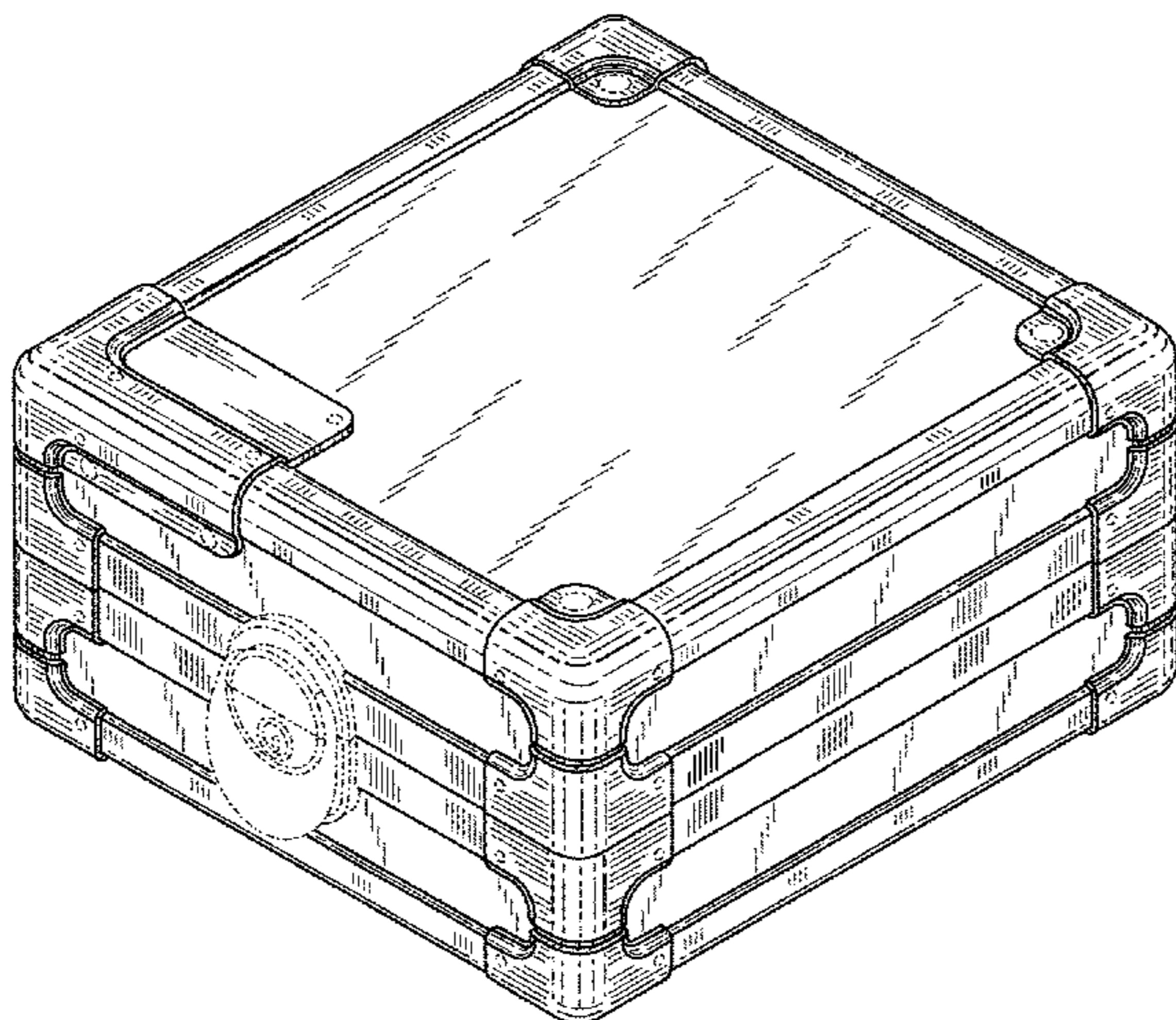
The ornamental design for a storage box, as shown and described.

DESCRIPTION

FIG. 1 is a perspective view of an exemplary embodiment of a storage box;

FIG. 2 is a front view of the storage box shown in FIG. 1; FIG. 3 is a back view of the storage box shown in FIG. 1; FIG. 4 is a top view of the storage box shown in FIG. 1; FIG. 5 is a bottom view of the storage box shown in FIG. 1; FIG. 6 is a right side view of the storage box shown in FIG. 1; FIG. 7 is a left side view of the storage box shown in FIG. 1; FIG. 8 is a perspective view of another exemplary embodiment of a storage box; FIG. 9 is a front view of the storage box shown in FIG. 8; FIG. 10 is a back view of the storage box shown in FIG. 8; FIG. 11 is a top view of the storage box shown in FIG. 8; FIG. 12 is a bottom view of the storage box shown in FIG. 8; FIG. 13 is a right side view of the storage box shown in FIG. 8; FIG. 14 is a left side view of the storage box shown in FIG. 8; FIG. 15 is a perspective view of another exemplary embodiment of a storage box; FIG. 16 is a front view of the storage box shown in FIG. 15; FIG. 17 is a back view of the storage box shown in FIG. 15; FIG. 18 is a top view of the storage box shown in FIG. 15; FIG. 19 is a bottom view of the storage box shown in FIG. 15; FIG. 20 is a right side view of the storage box shown in FIG. 15; FIG. 21 is a left side view of the storage box shown in FIG. 15; FIG. 22 is a perspective view of another exemplary embodiment of a storage box; FIG. 23 is a front view of the storage box shown in FIG. 22; FIG. 24 is a back view of the storage box shown in FIG. 22; FIG. 25 is a top view of the storage box shown in FIG. 22; FIG. 26 is a bottom view of the storage box shown in FIG. 22; FIG. 27 is a right side view of the storage box shown in FIG. 22; and, FIG. 28 is a left side view of the storage box shown in FIG. 22. The broken lines illustrate portions of the article and form no part of the claimed design.

1 Claim, 28 Drawing Sheets



US D668,047 S

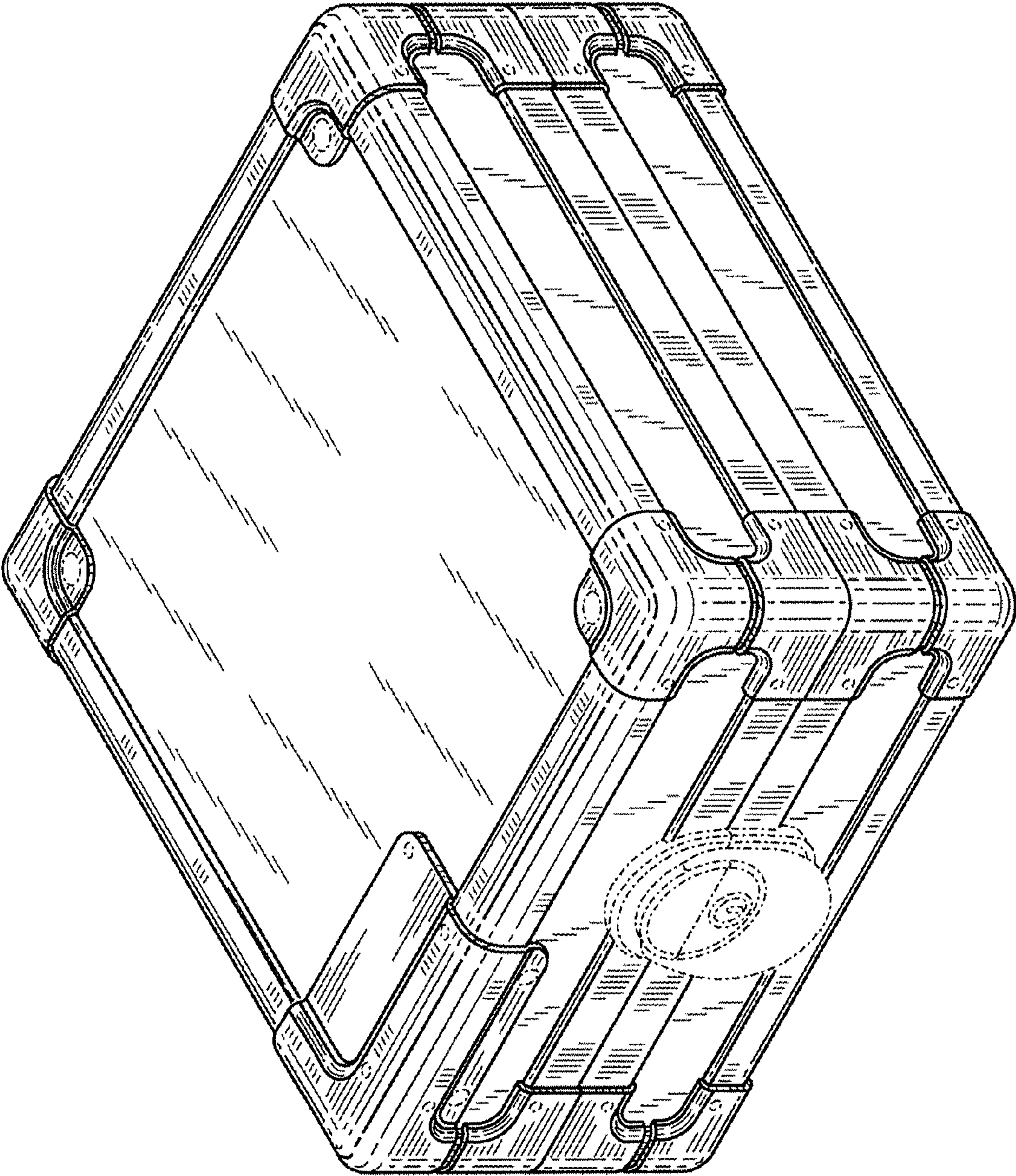
Page 2

U.S. PATENT DOCUMENTS

2,626,025	A *	1/1953	Sherman	190/37	D503,503	S *	3/2005	Perella et al.	D99/28
D247,993	S *	5/1978	Calzone, III	D3/204	D509,357	S *	9/2005	Perella et al.	D3/267
D288,863	S *	3/1987	Vuitton	D3/289	D511,035	S *	10/2005	Perella et al.	D99/28
4,744,445	A *	5/1988	Anderson et al.	190/37	D529,287	S *	10/2006	Perella et al.	D3/294
4,813,542	A *	3/1989	Thompson et al.	206/504	D562,048	S *	2/2008	Perella et al.	D3/272
D415,614	S *	10/1999	Akaike et al.	D3/276	D574,655	S *	8/2008	Perella et al.	D3/294
D419,766	S *	2/2000	Rekuc	D3/272	D578,819	S *	10/2008	Perella et al.	D6/632
D493,936	S *	8/2004	Perella et al.	D99/28	D579,174	S *	10/2008	Decarlo et al.	D99/28
D496,791	S *	10/2004	Perella et al.	D3/267	D596,399	S *	7/2009	Decarlo et al.	D3/291
D498,049	S *	11/2004	Perella et al.	D3/273	D619,810	S *	7/2010	Huang	D3/276
D499,883	S *	12/2004	Perella et al.	D3/276	D625,517	S *	10/2010	Rossi et al.	D3/272
D500,922	S *	1/2005	Perella et al.	D3/273	D643,213	S *	8/2011	Hsiao et al.	D3/272
D501,083	S *	1/2005	Perella et al.	D3/276	D643,623	S *	8/2011	Chin et al.	D3/272
D501,720	S *	2/2005	Hussaini et al.	D3/273	2004/0188205	A1 *	9/2004	Badaan	190/124
D503,024	S *	3/2005	Perella et al.	D99/28					

* cited by examiner

FIG. 1



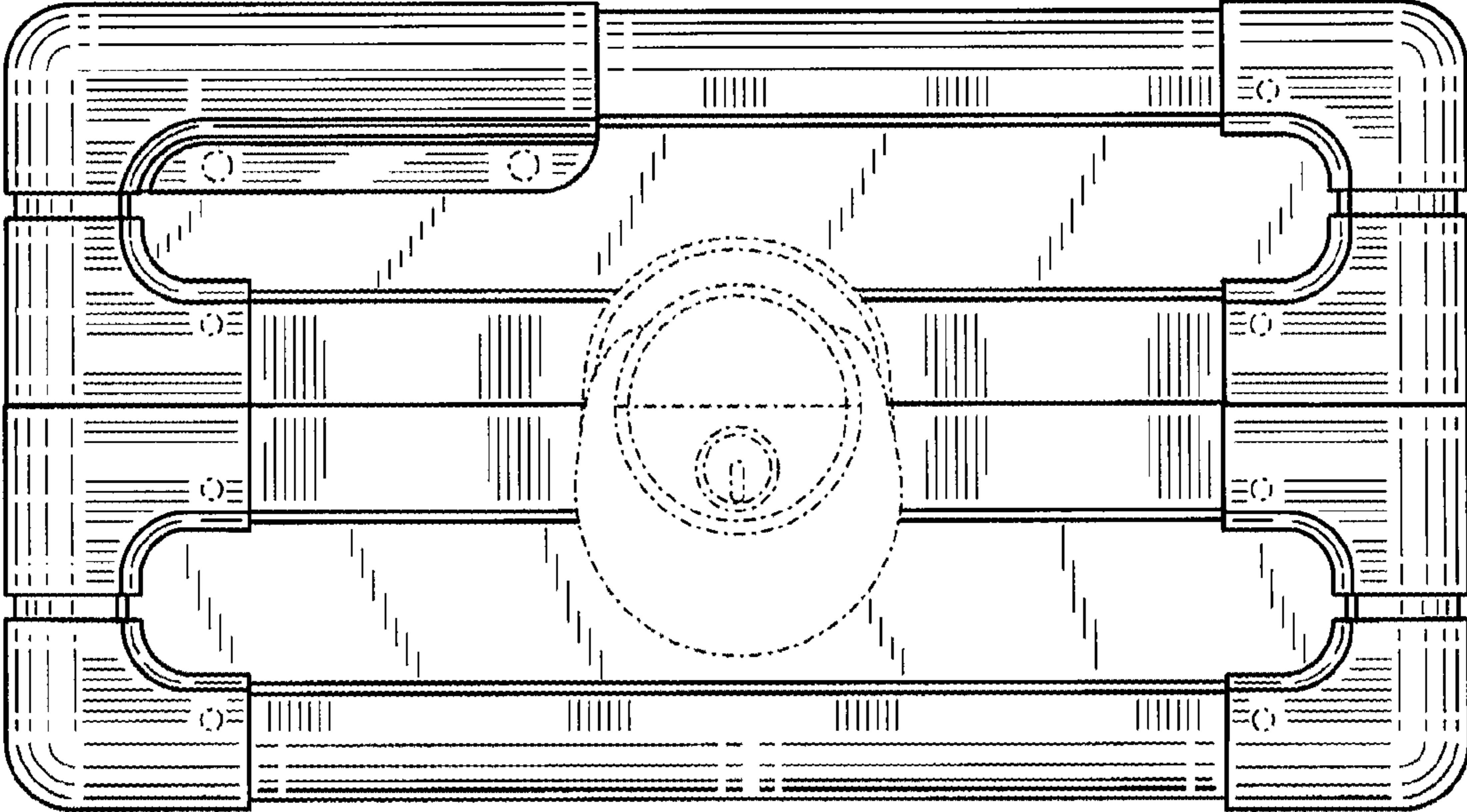


FIG. 2

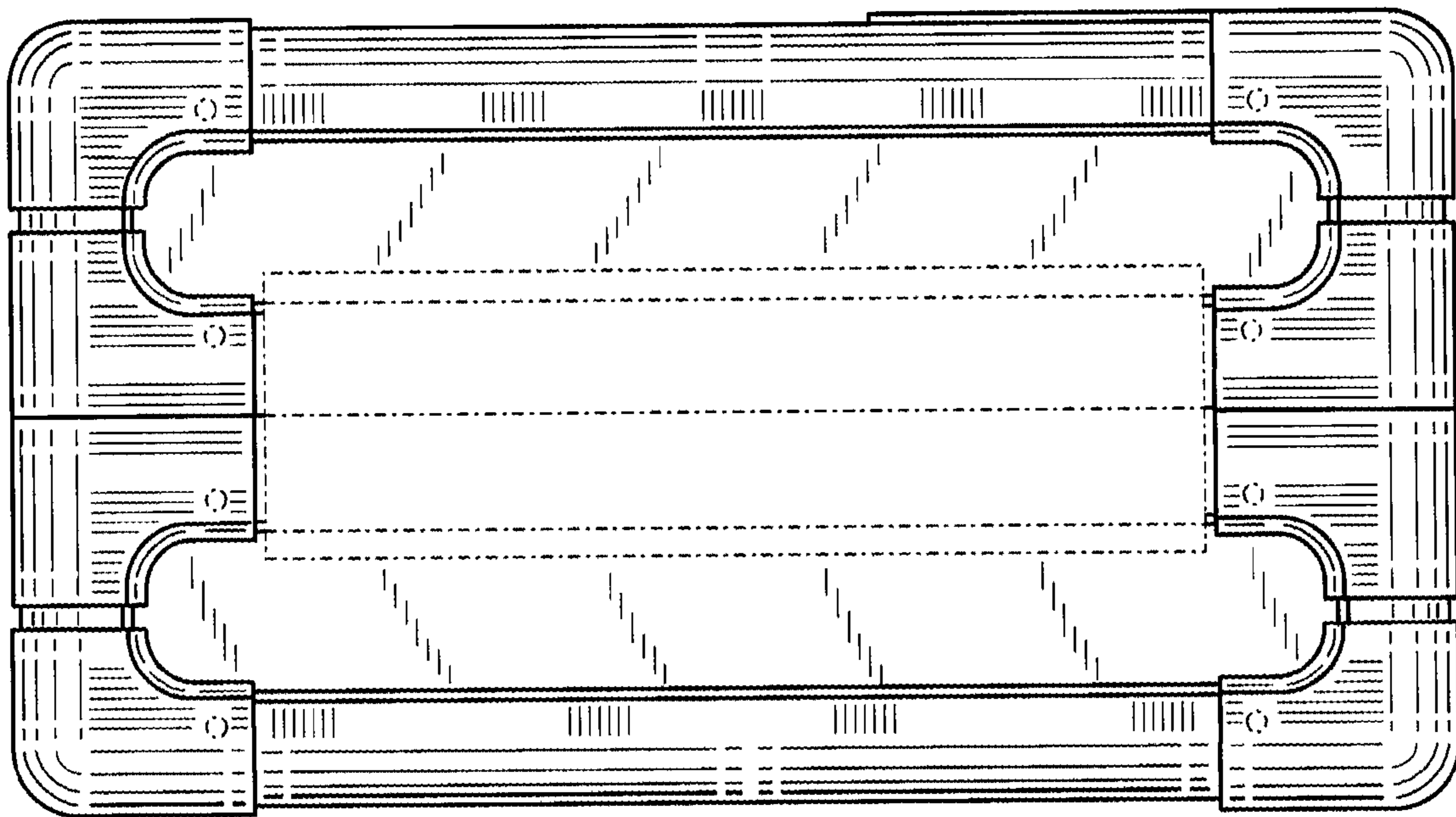


FIG. 3

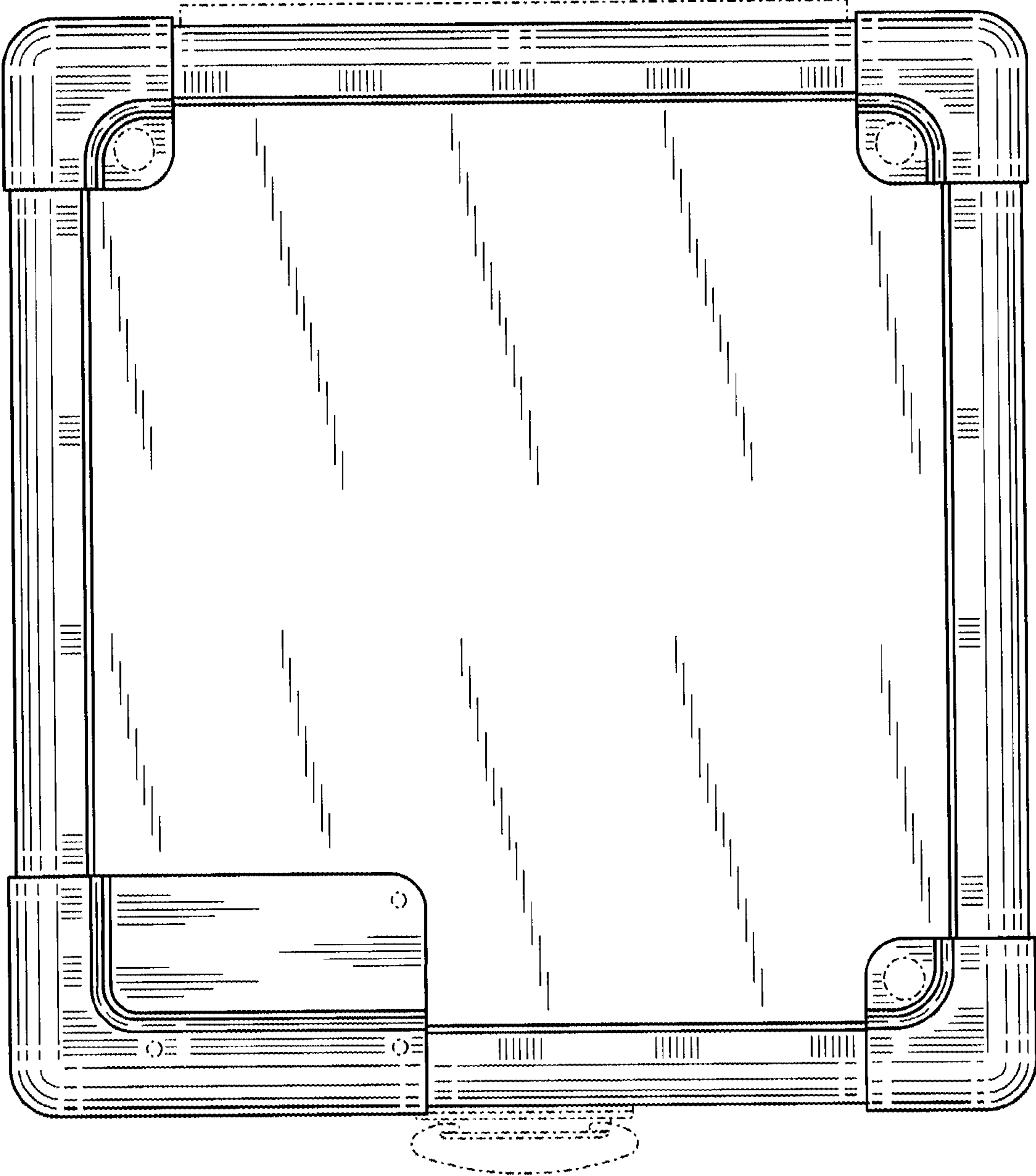


FIG. 4

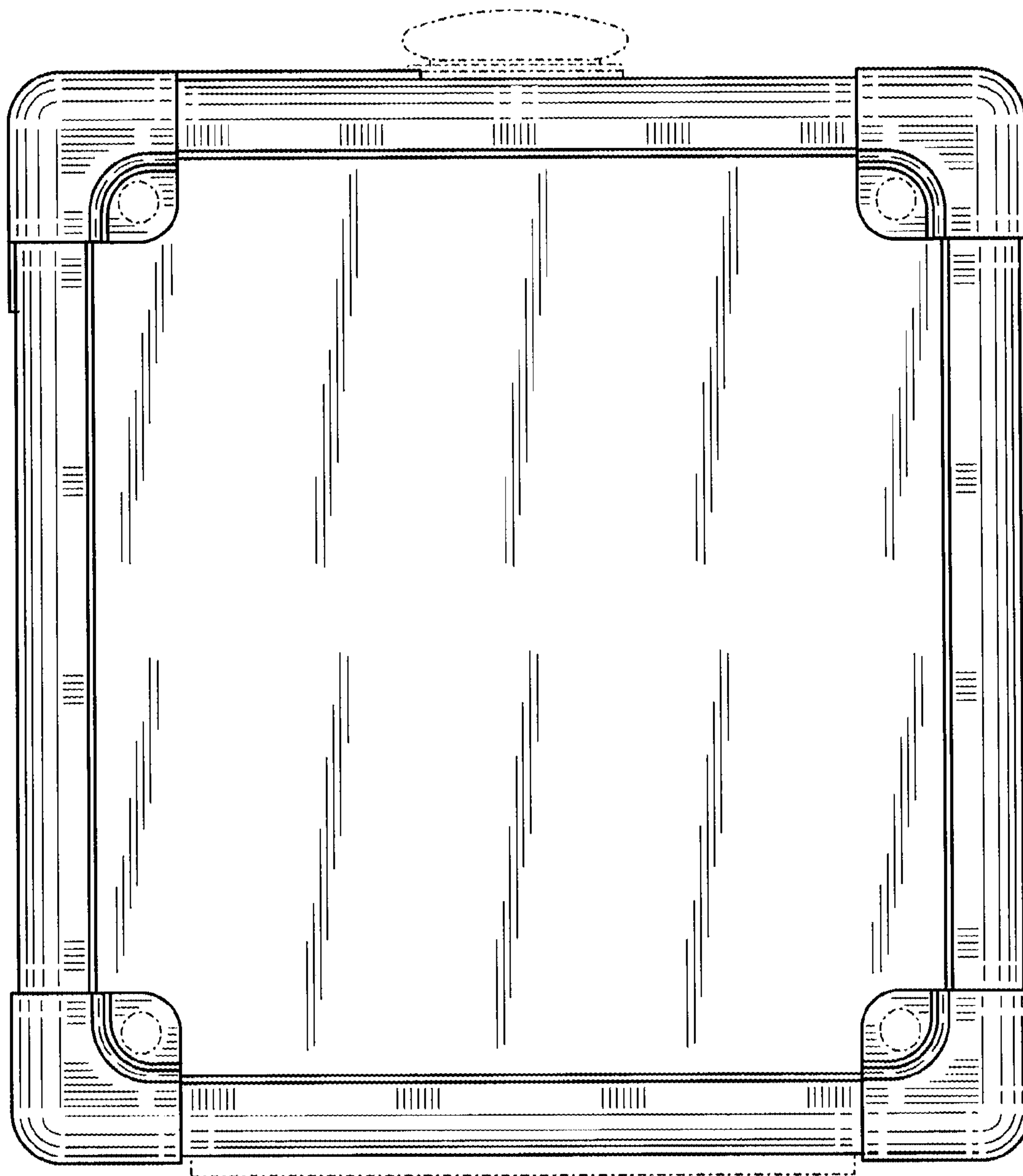


FIG. 5

FIG. 6

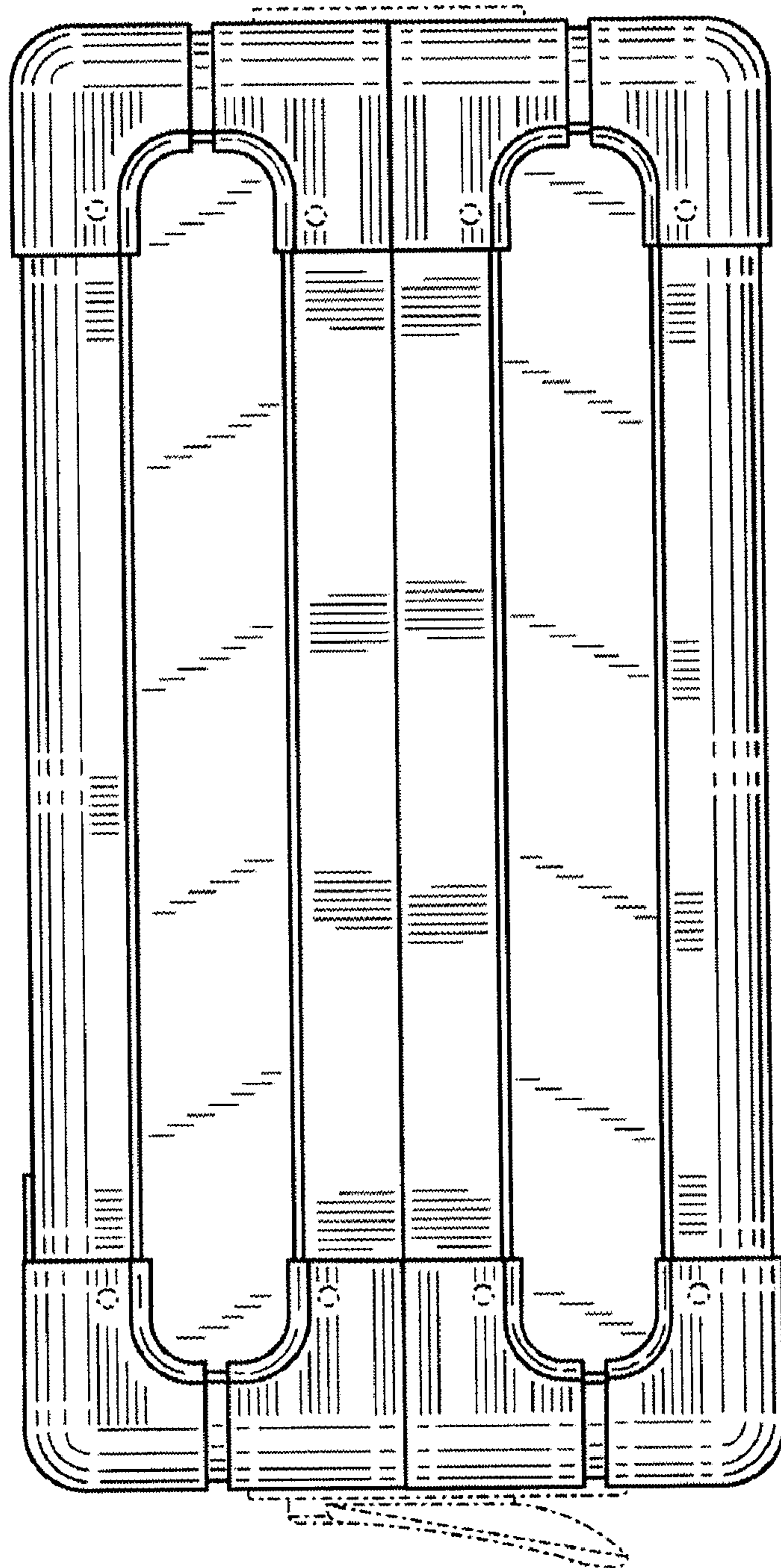


FIG. 7

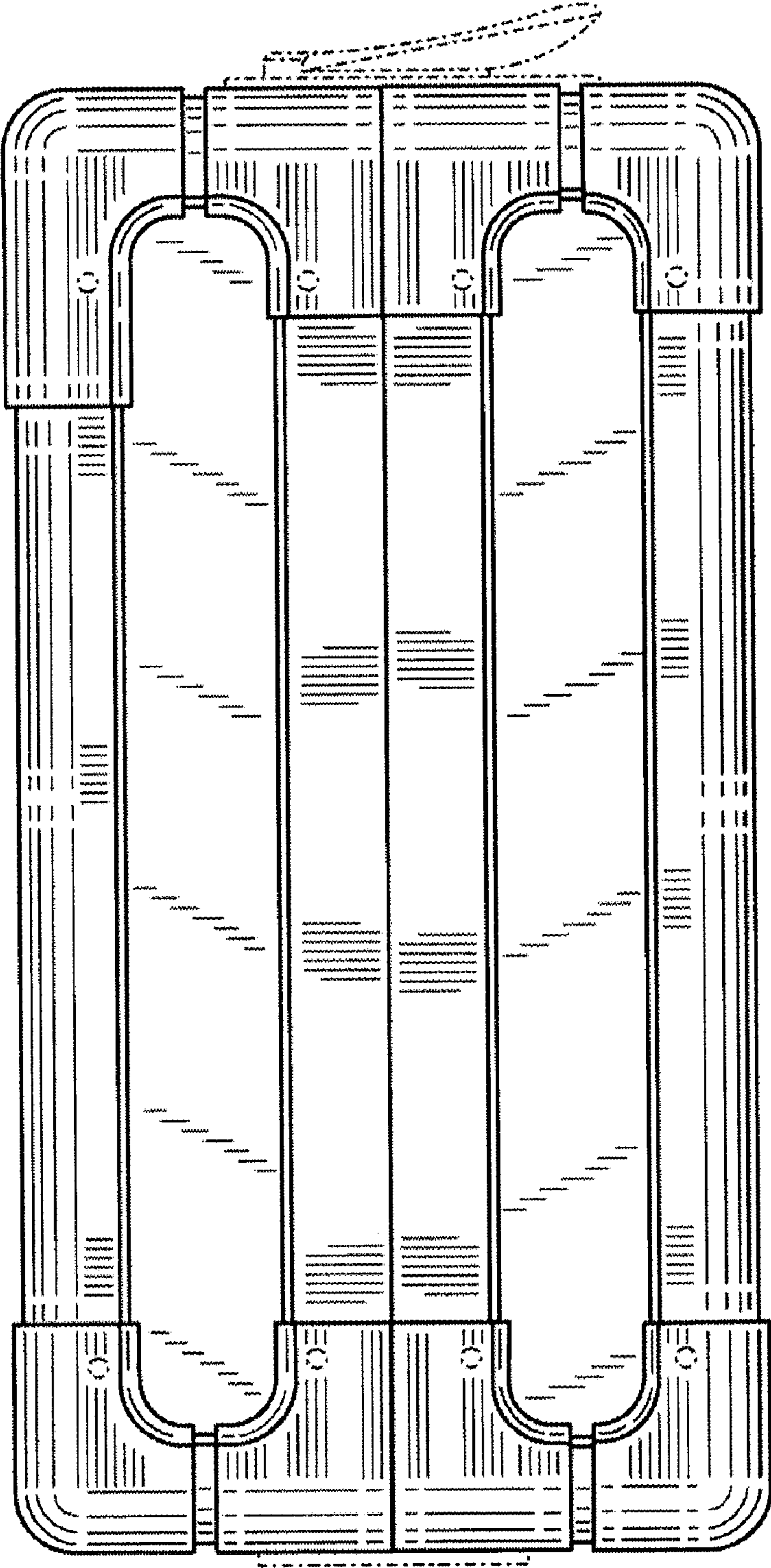
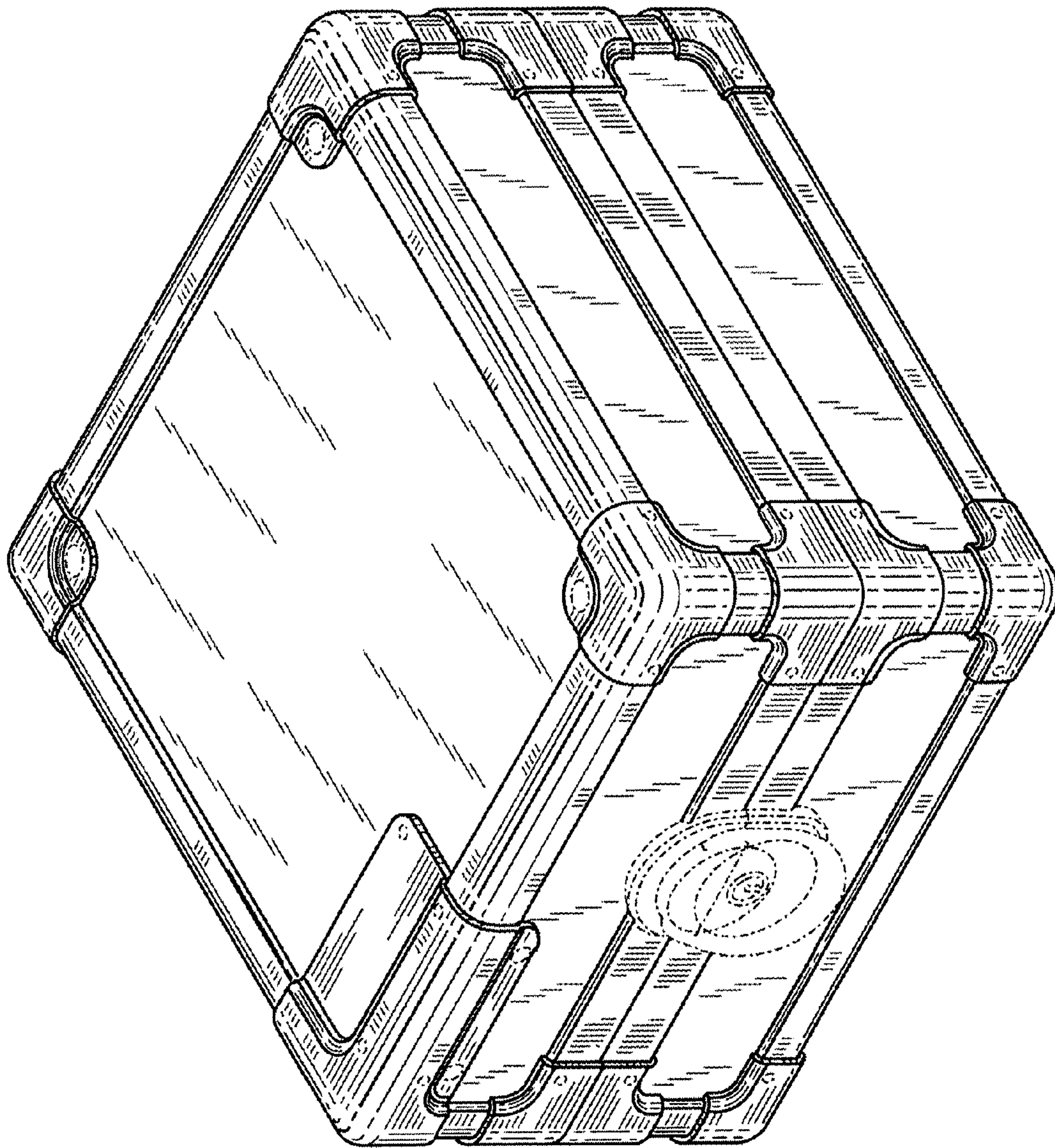


FIG. 8



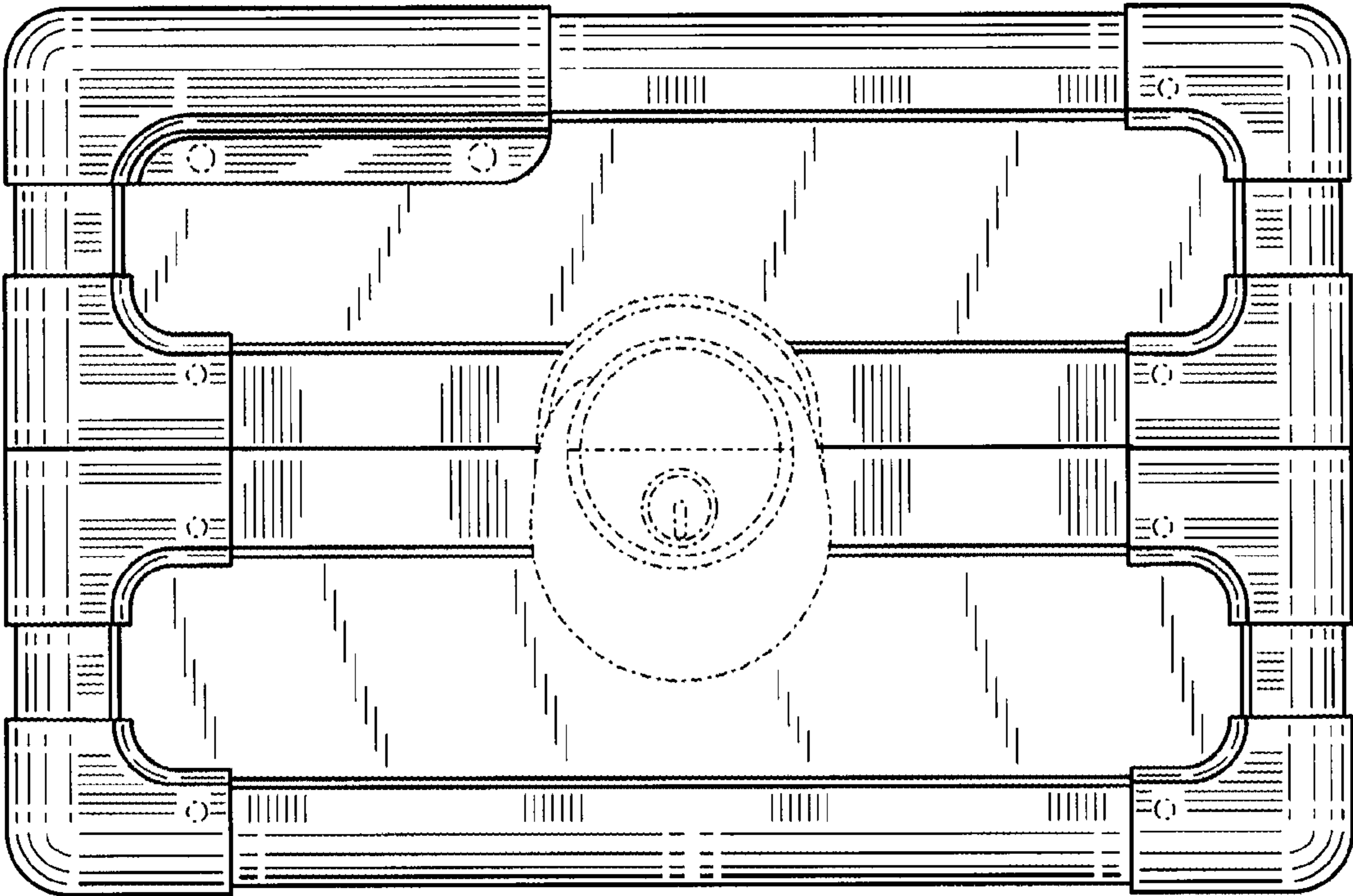


FIG. 9

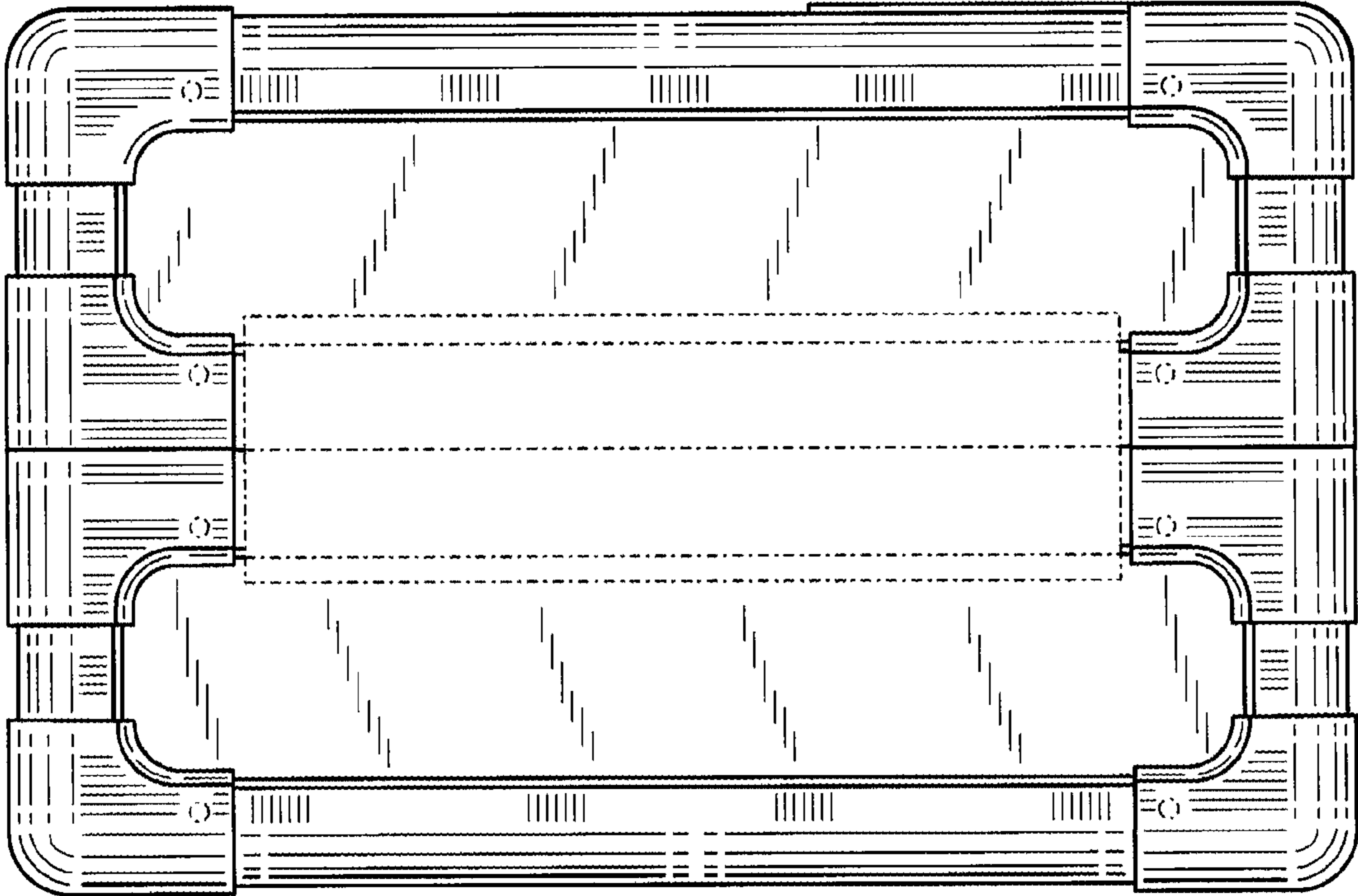


FIG. 10

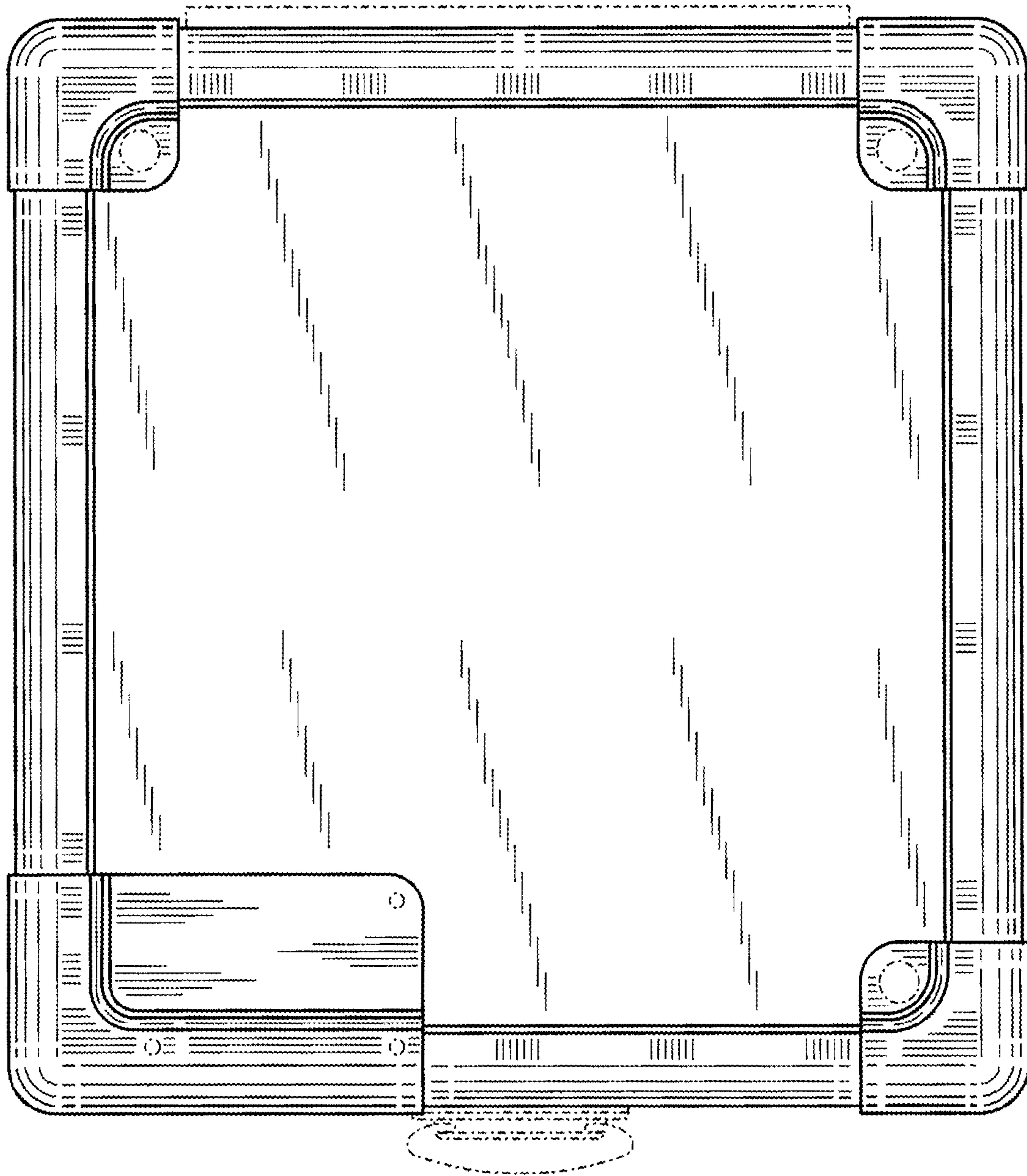


FIG. 11

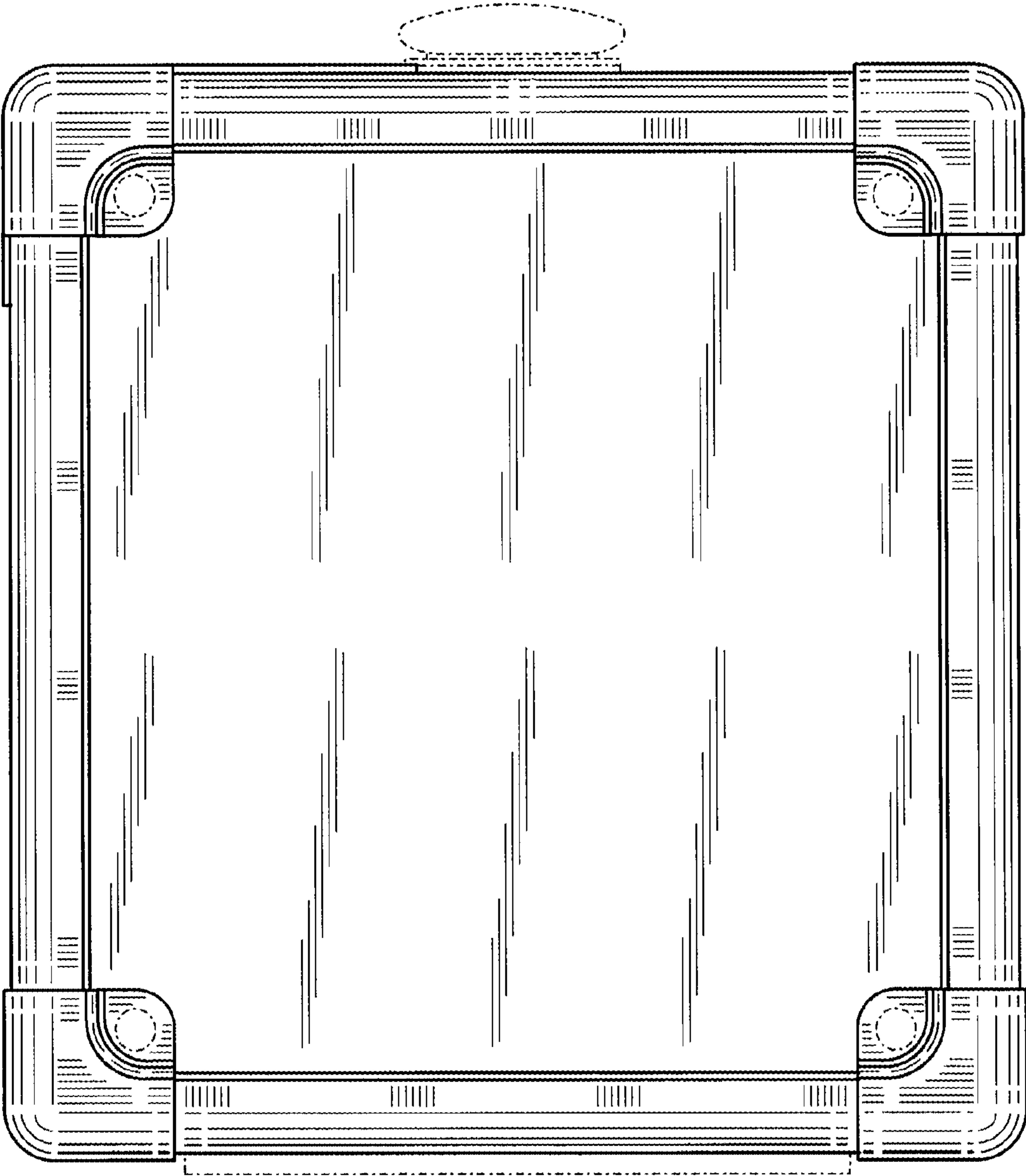


FIG. 12

FIG. 13

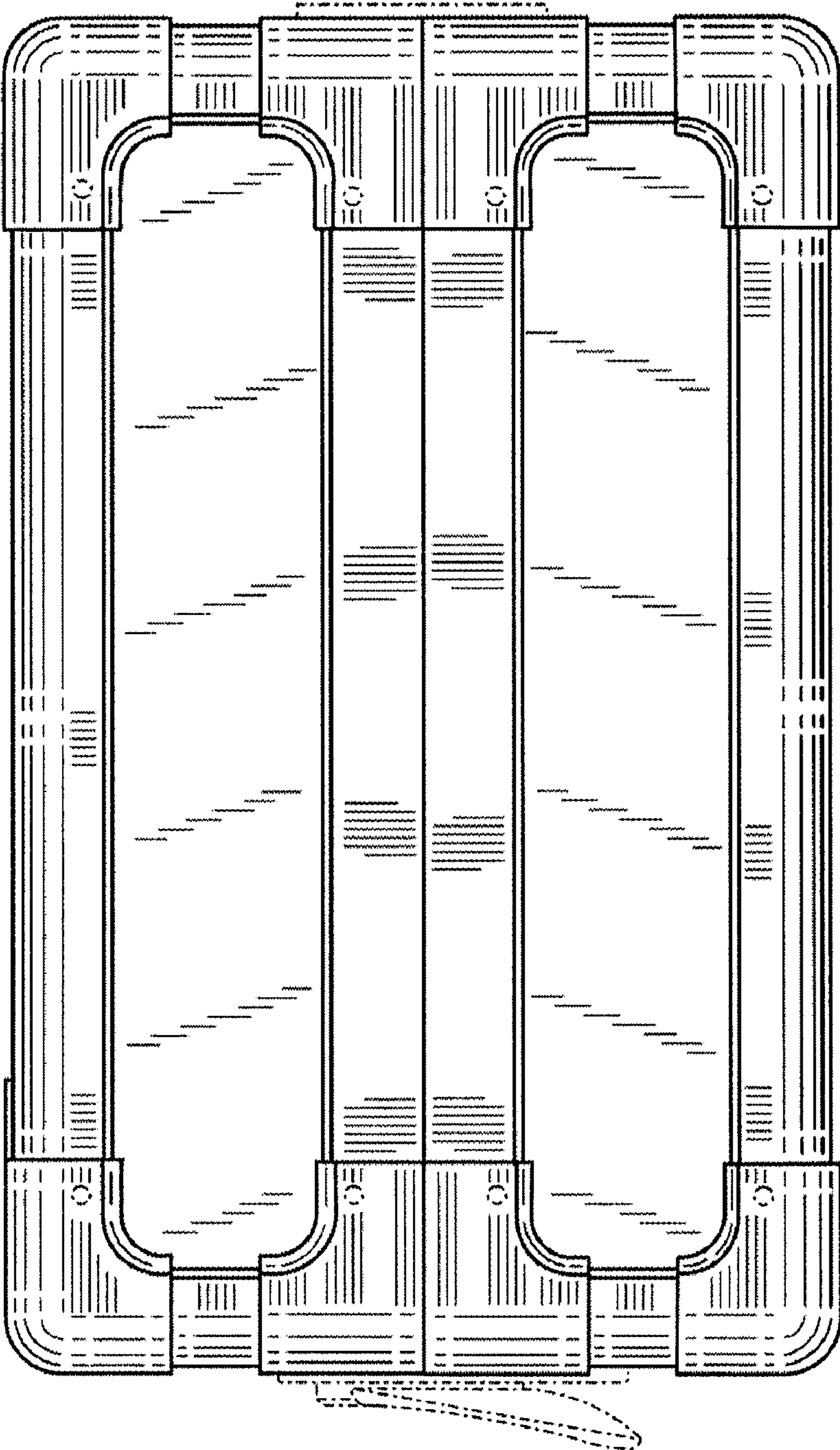


FIG. 14

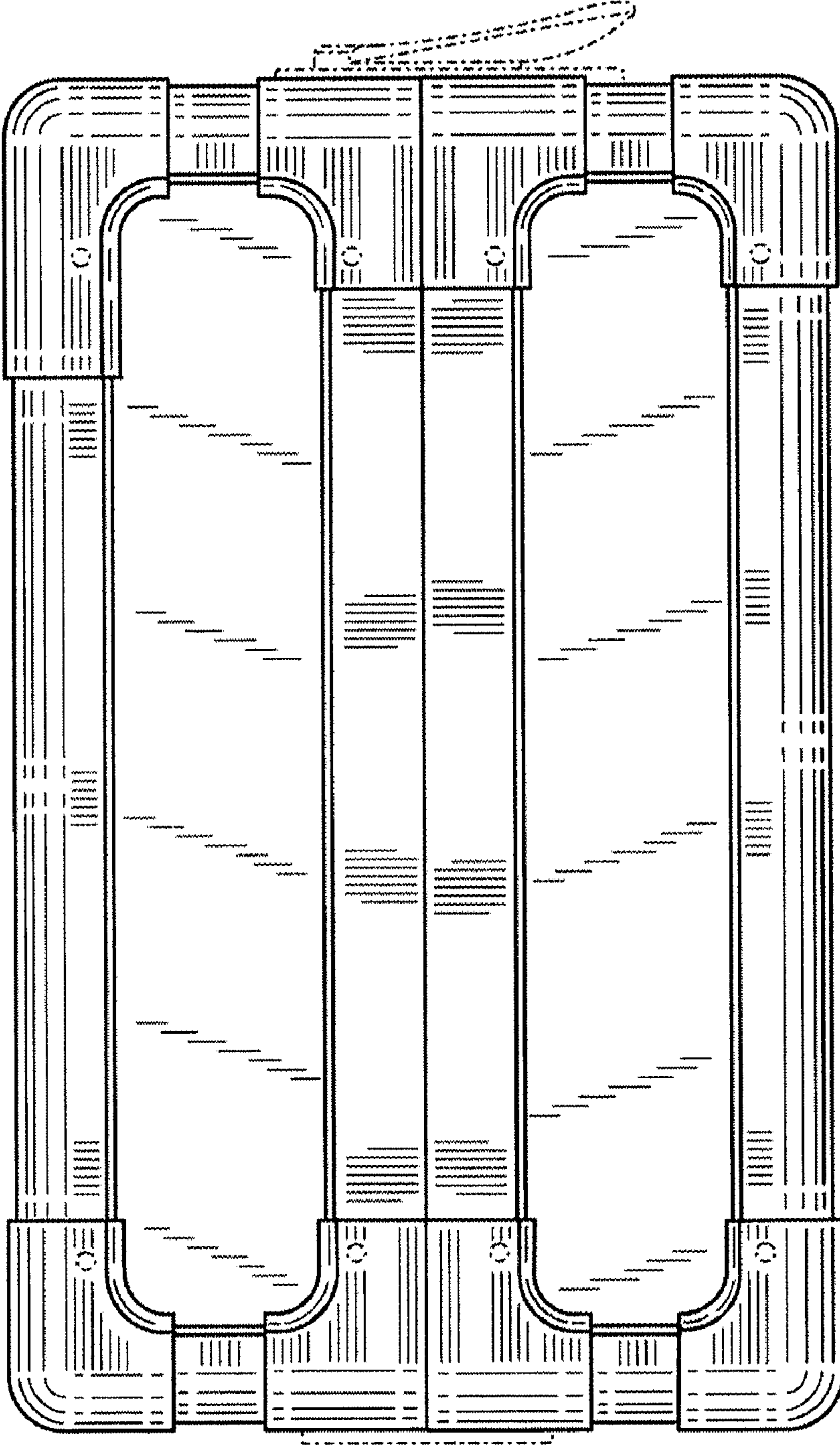
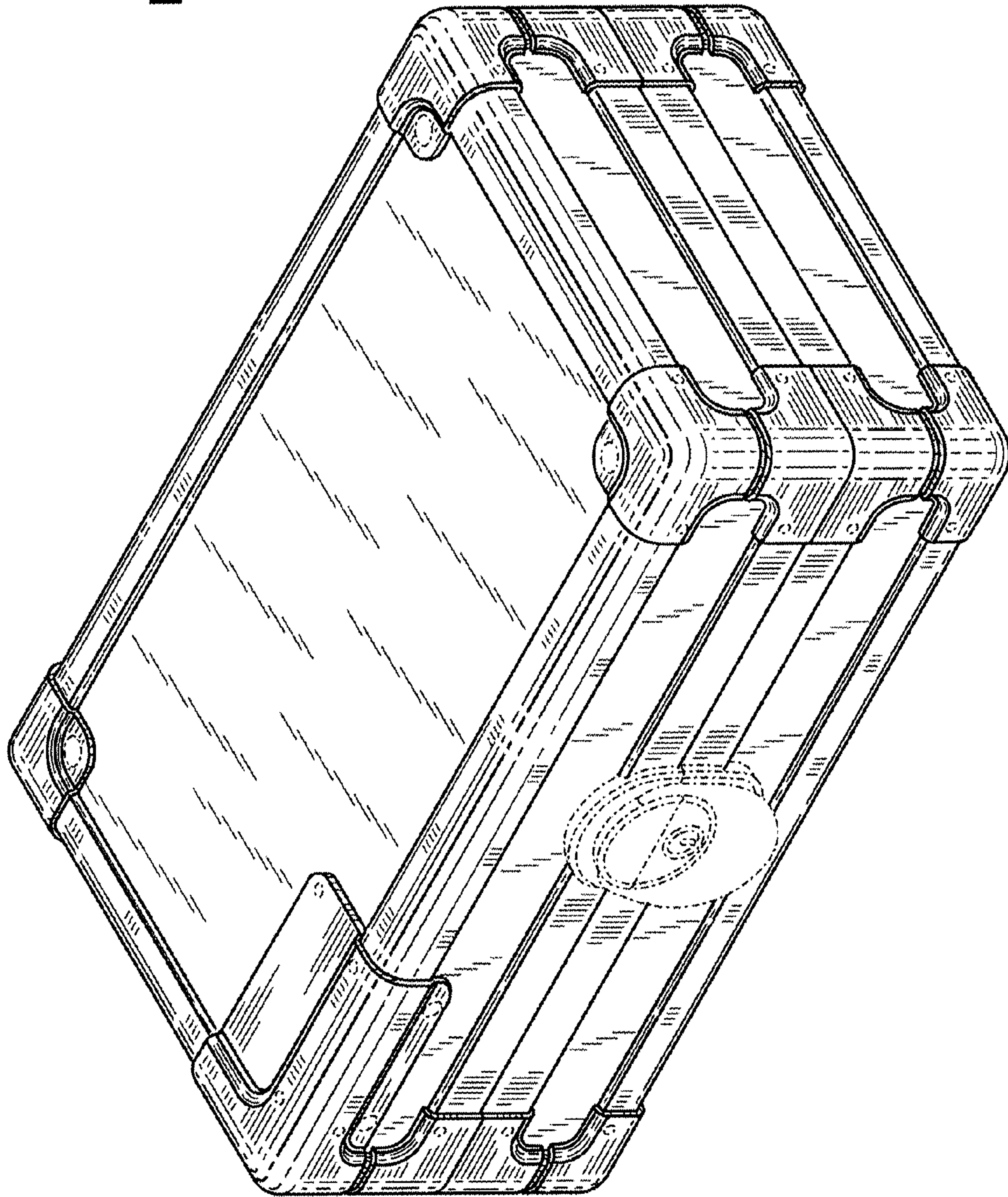


FIG. 15



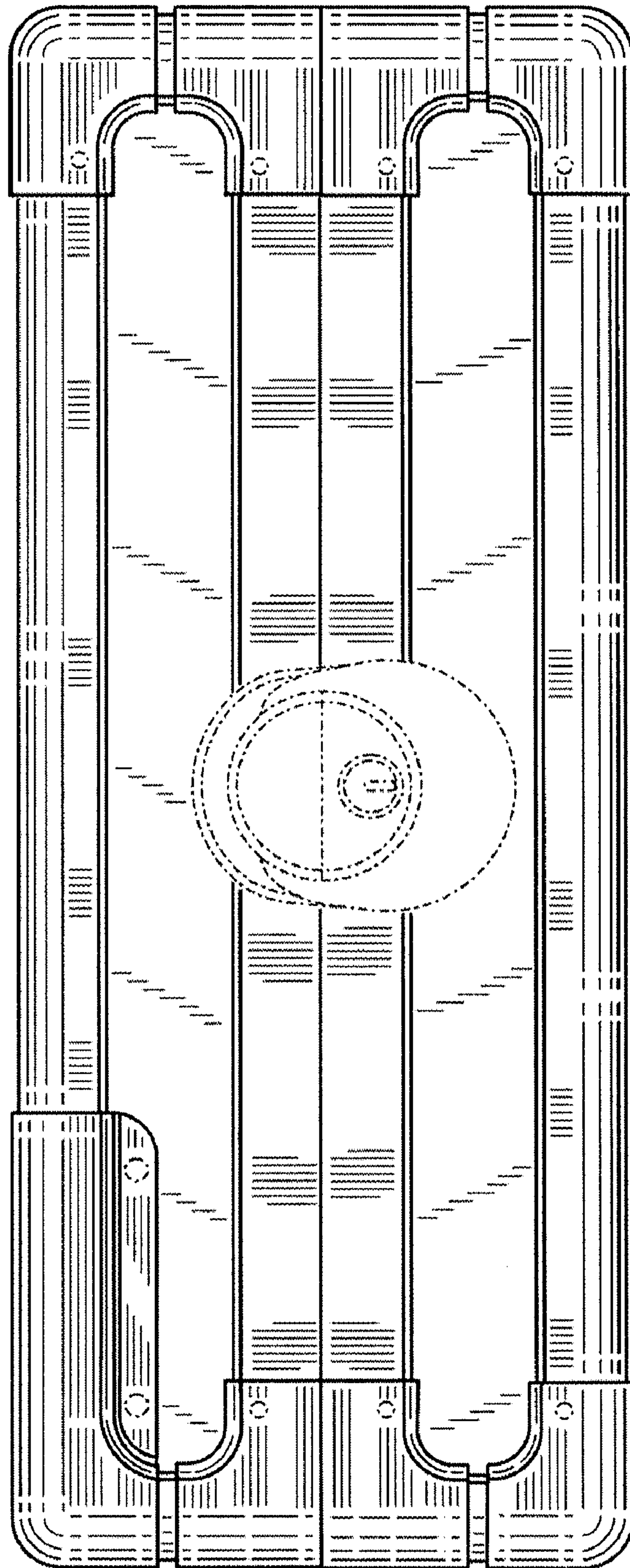


FIG. 16

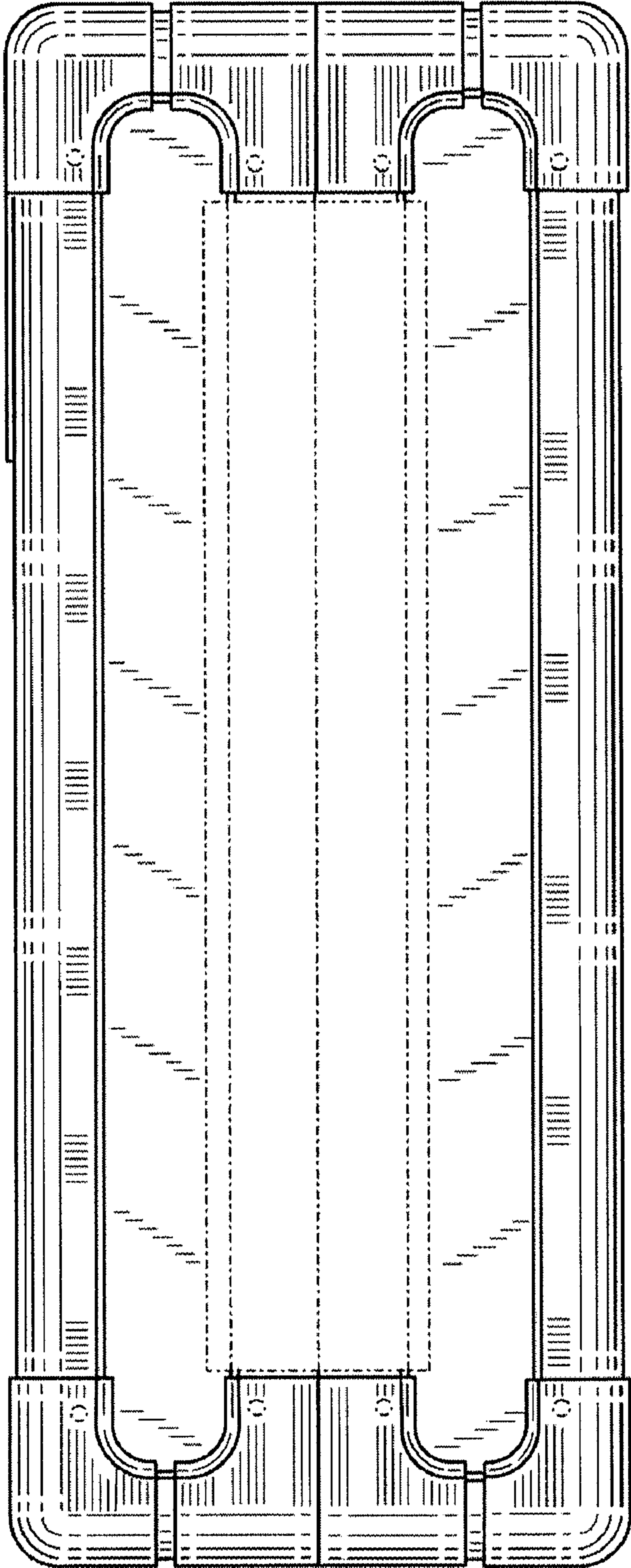


FIG. 17

FIG. 18

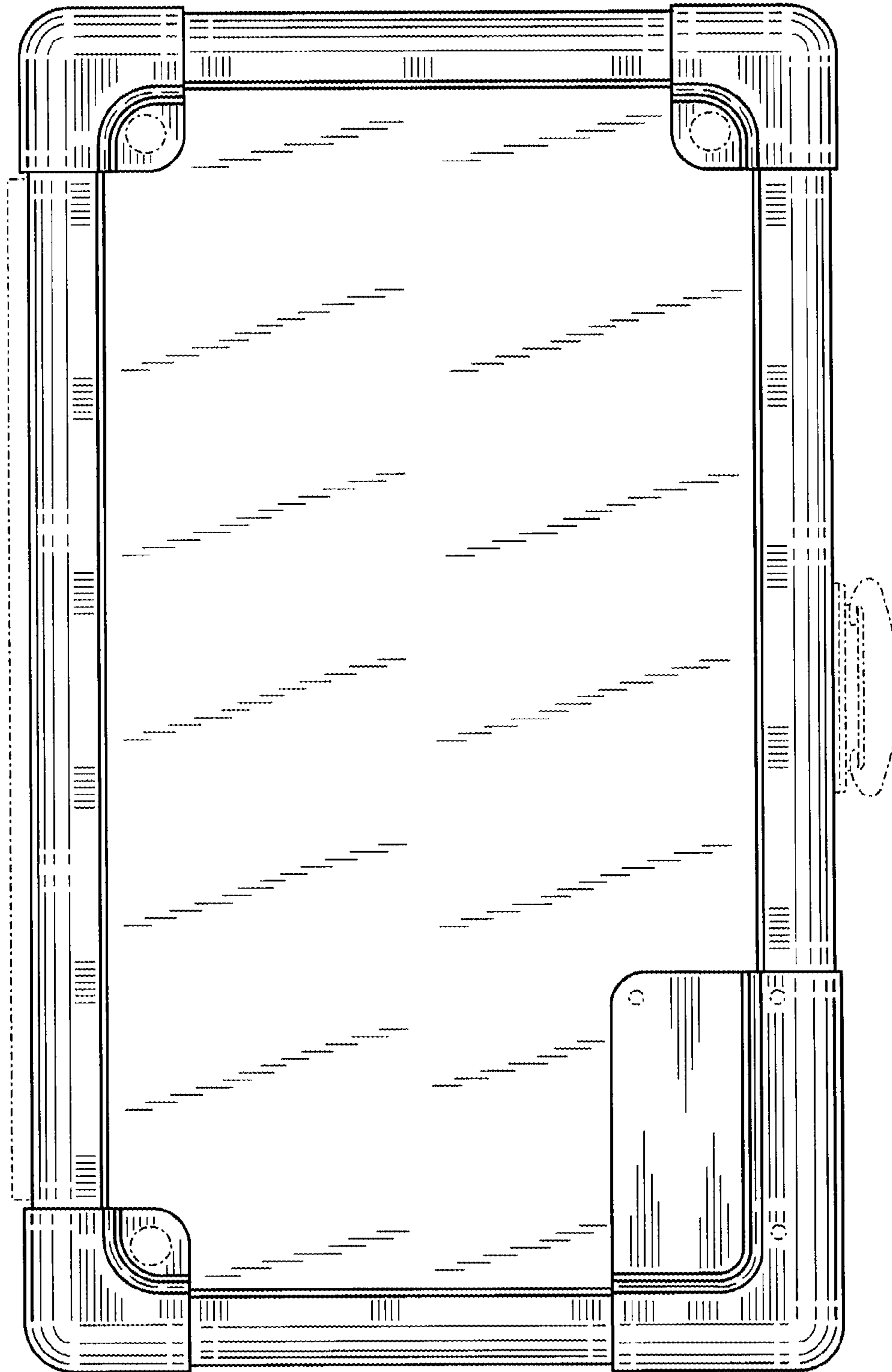
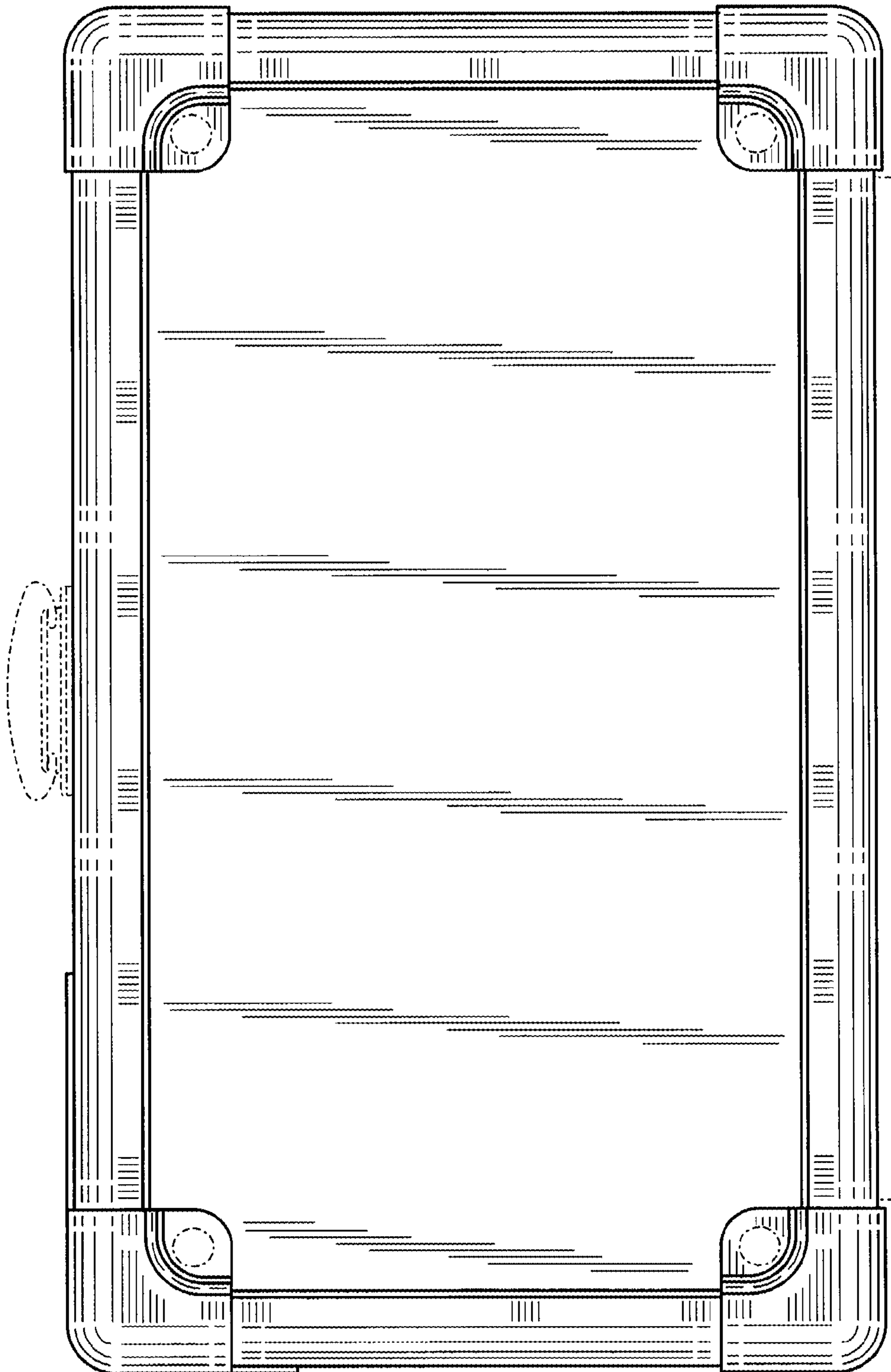


FIG. 19



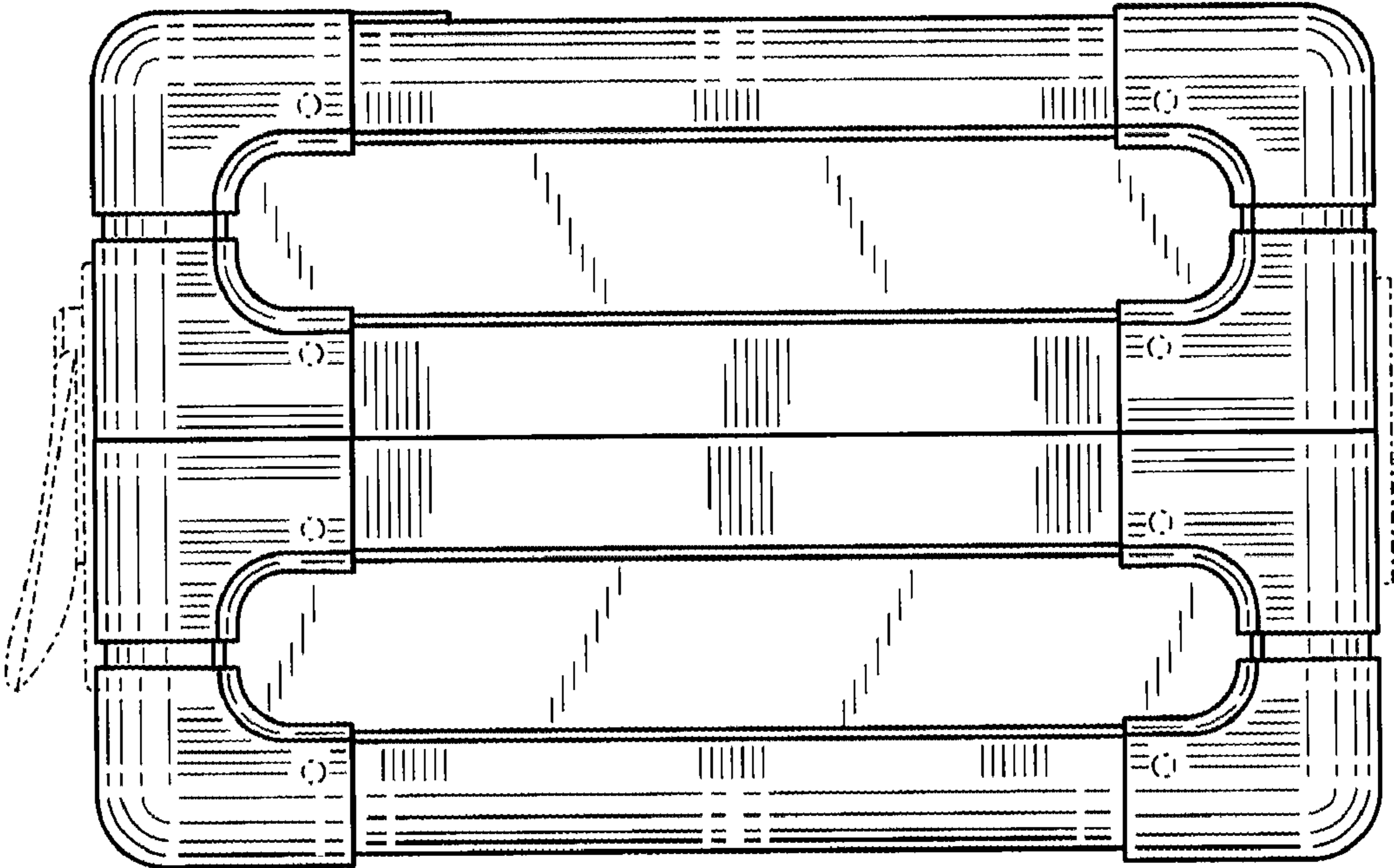


FIG. 20

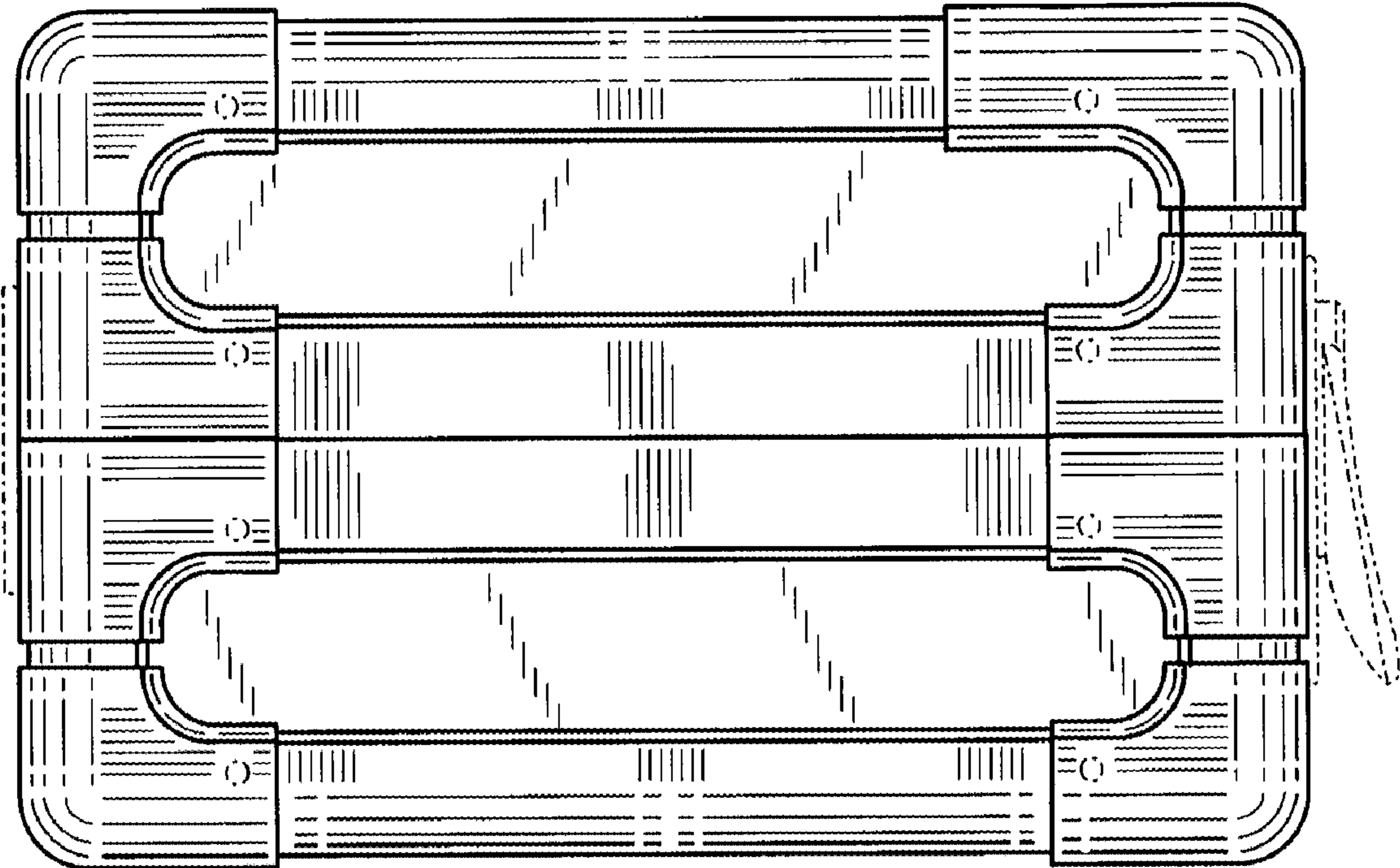
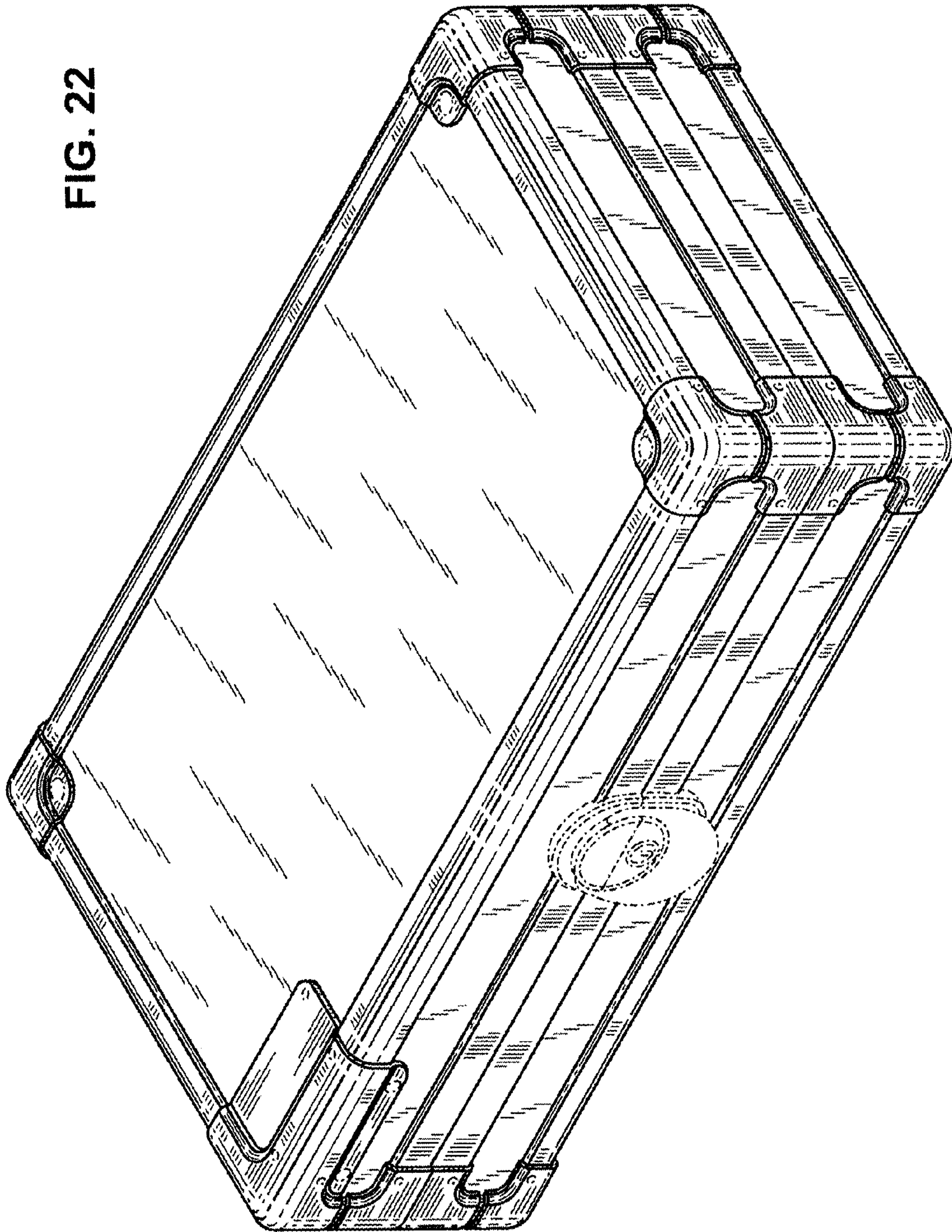


FIG. 21

FIG. 22



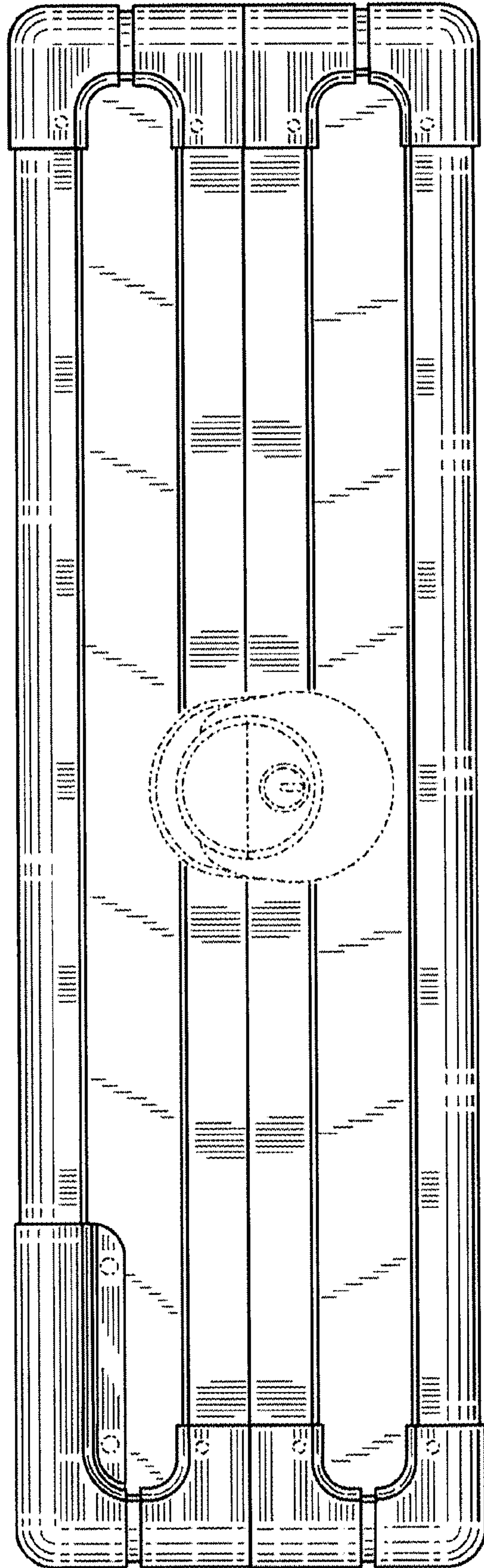


FIG. 23

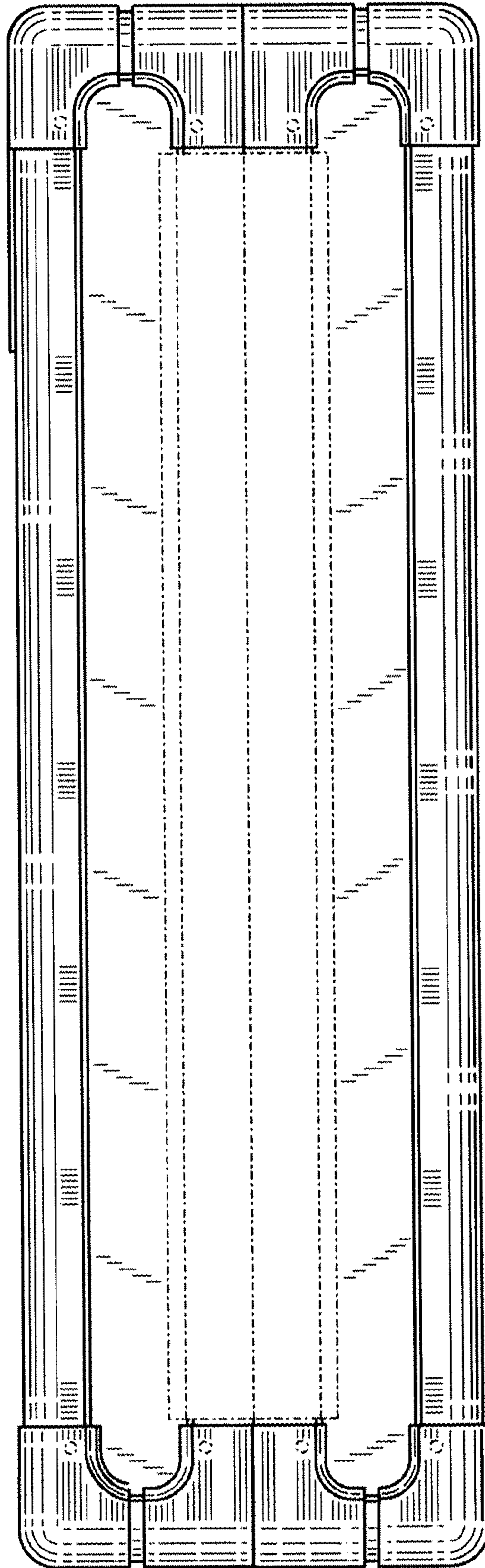


FIG. 24

FIG. 25

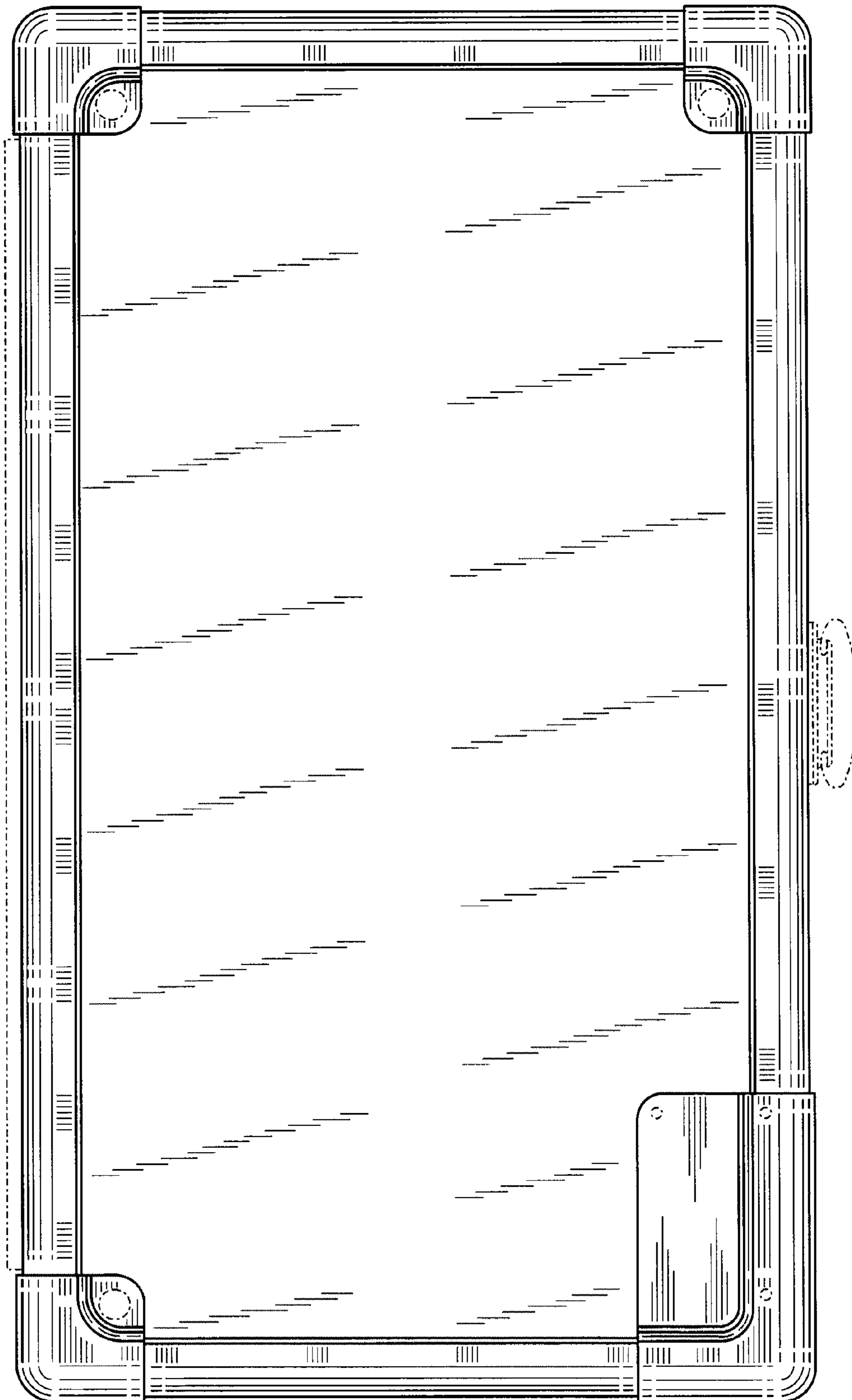
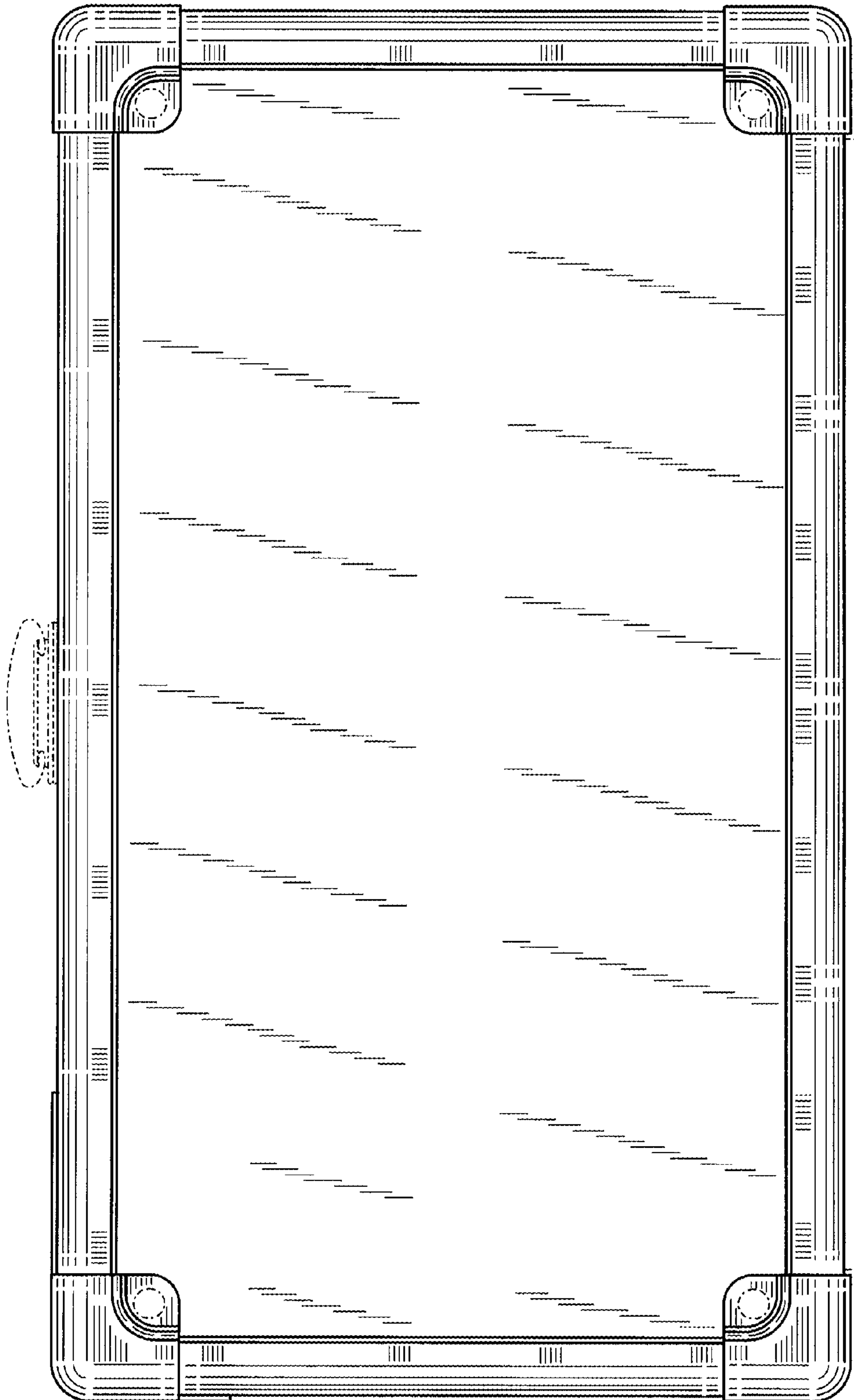


FIG. 26



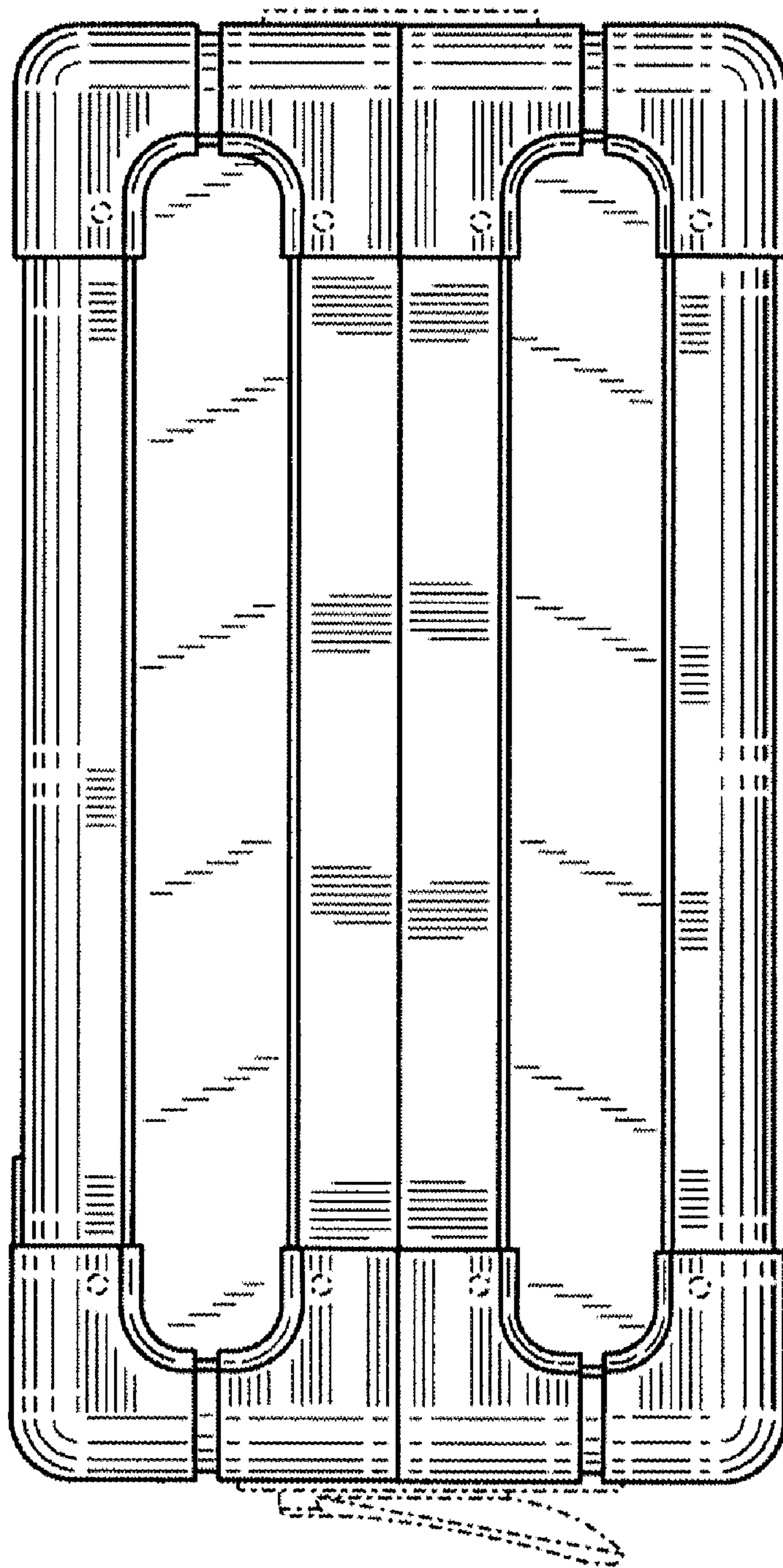


FIG. 27

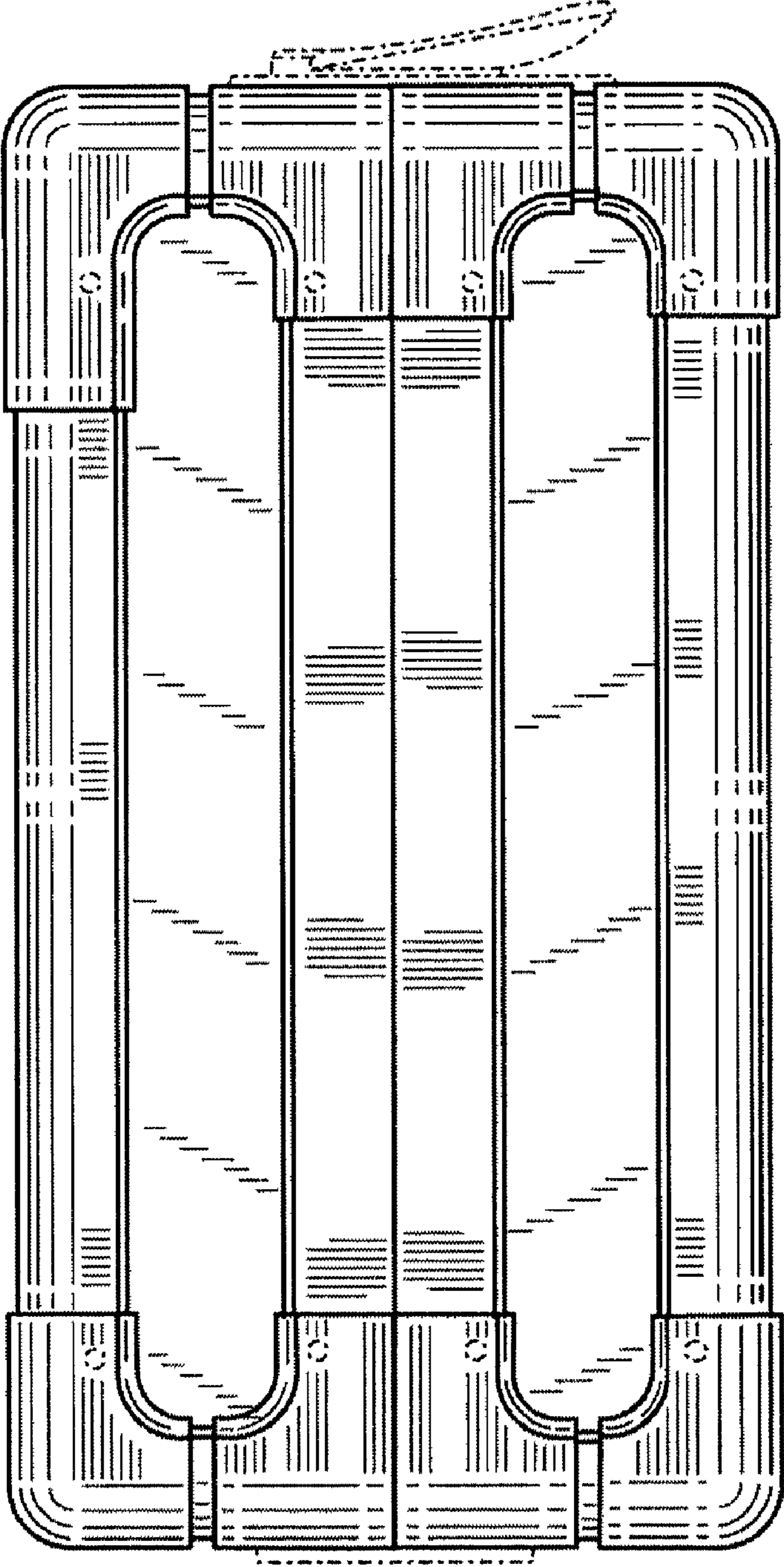


FIG. 28