



US00D668045S

(12) **United States Design Patent**
Robbins et al.

(10) **Patent No.:** **US D668,045 S**

(45) **Date of Patent:** **** Oct. 2, 2012**

(54) **WALLET FOR ELECTRONIC DEVICES**

(76) Inventors: **David G. Robbins**, East Islip, NY (US);
Susan Robbins, East Islip, NY (US)

(**) Term: **14 Years**

(21) Appl. No.: **29/361,472**

(22) Filed: **May 11, 2010**

(51) **LOC (9) Cl.** **03-01**

(52) **U.S. Cl.** **D3/269**

(58) **Field of Classification Search** D3/201,
D3/215, 218, 269, 273, 294, 300, 303, 287,
D3/283, 289, 274; D14/217, 432, 250; 206/320,
206/576, 214; 455/575.8; 190/109, 110,
190/111, 900, 902

See application file for complete search history.

(56) **References Cited**

U.S. PATENT DOCUMENTS

D341,250 S *	11/1993	Boune	D3/252
D345,647 S *	4/1994	Luxon	D3/218
6,568,576 B1	5/2003	Godshaw		
D506,066 S *	6/2005	Nieves	D3/299
D541,042 S *	4/2007	Andre et al.	D3/218
D561,463 S *	2/2008	Malhotra	D3/218
D566,383 S *	4/2008	Harris et al.	D3/218
D568,605 S *	5/2008	Harris et al.	D3/218
D590,392 S *	4/2009	Wang	D14/356
D592,660 S *	5/2009	Wang	D14/356
D593,749 S	6/2009	Holzner et al.		
D606,302 S *	12/2009	Fahrendorff et al.	D3/218
D606,740 S	12/2009	Fahrendorff et al.		
D607,198 S *	1/2010	Andre et al.	D3/218

(Continued)

OTHER PUBLICATIONS

Photo image of a product with accompanying packaging identifying the product as a Cell Phone Wallet. The image was taken at a vendor

in a shopping center on Long Island, New York on or about Oct. 16, 2010. Subsequent to the taking of the photo image, the product could not be relocated and no further information is available.

Primary Examiner — Barbara Fox

(74) *Attorney, Agent, or Firm* — Harold G. Furlow

(57) **CLAIM**

The ornamental design for a wallet for electronic devices, as shown and described.

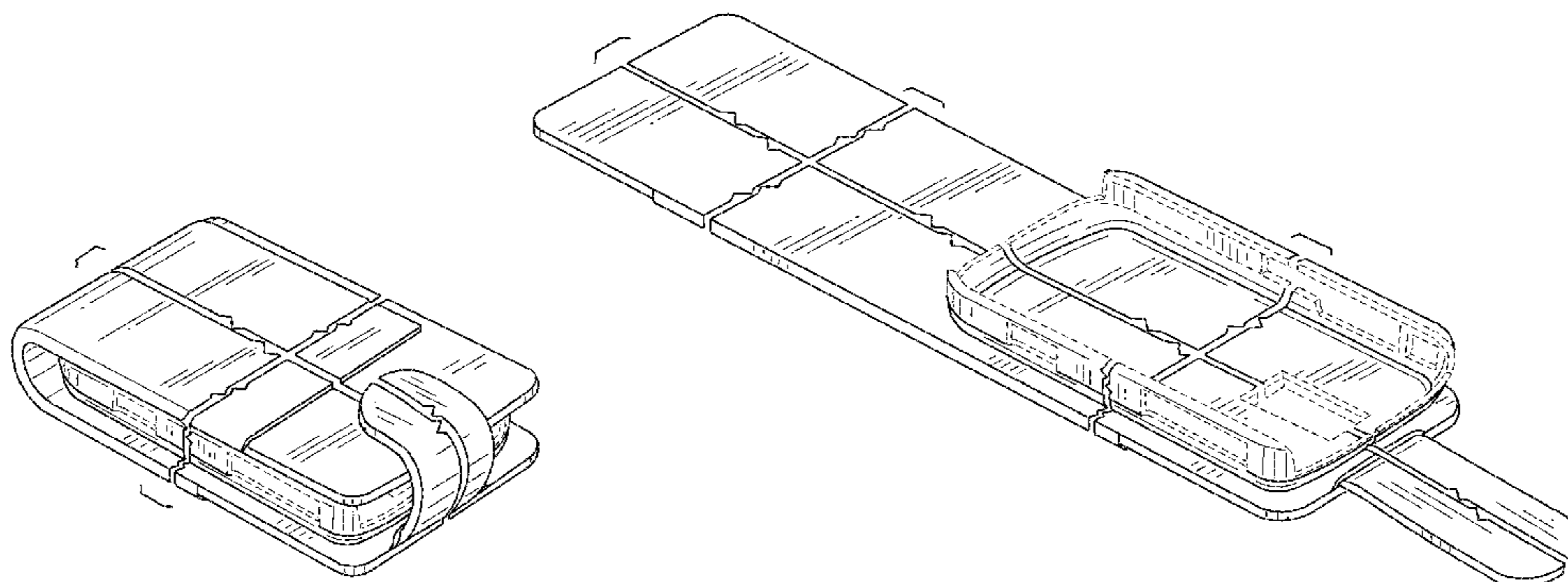
DESCRIPTION

FIG. 1 is a front, right side and first end top perspective view of a wallet for electronic devices in a first position;
FIG. 2 is a front, right side and first end perspective view of the wallet of FIG. 1 in an open second position;
FIG. 3 is a bottom, left side and second end perspective view of the back of the wallet of FIG. 1 in the second position;
FIG. 4 is a frontal view of the wallet of FIG. 1 in the first position;
FIG. 5 is a bottom view of the wallet of FIG. 1 in the first position;
FIG. 6 is a left side elevation view of the wallet of FIG. 1 in the first position;
FIG. 7 is a right side elevation view of the wallet of FIG. 1 in the first position;
FIG. 8 is a first end view of the wallet of FIG. 1 in the first position; and,
FIG. 9 is a second end view of the wallet of FIG. 1 in the first position.

The broken lines in the drawings are for the purpose of illustrating unclaimed portions of the wallet for electronic device and form no part of the claimed design.

The wallet for electronic devices is shown broken away for ease of illustration, the precise length and width of the wallet for electronic devices is not claimed.

1 Claim, 6 Drawing Sheets



US D668,045 S

Page 2

U.S. PATENT DOCUMENTS							
D608,092	S	1/2010	Holzner et al.	2001/0035444	A1	11/2001	Alis
D609,462	S	2/2010	Bullen	2002/0100782	A1	8/2002	Marvin
D609,463	S	2/2010	Bullen	2003/0000984	A1	1/2003	Vick, III
D609,464	S	2/2010	Bullen	2004/0079776	A1	4/2004	Bauer
D611,701	S *	3/2010	Fahrendorff et al.	2006/0052064	A1	3/2006	Goradesky
7,735,644	B2 *	6/2010	Sirichai et al.	2007/0101479	A1	5/2007	Turner
D623,404	S *	9/2010	Andre et al.	2007/0235492	A1	10/2007	Sirichai et al.
D628,375	S *	12/2010	Andre et al.	2009/0305001	A1	12/2009	Hsu et al.
D635,354	S *	4/2011	Uchida	2011/0034221	A1 *	2/2011	Hung et al. 455/575.8

* cited by examiner

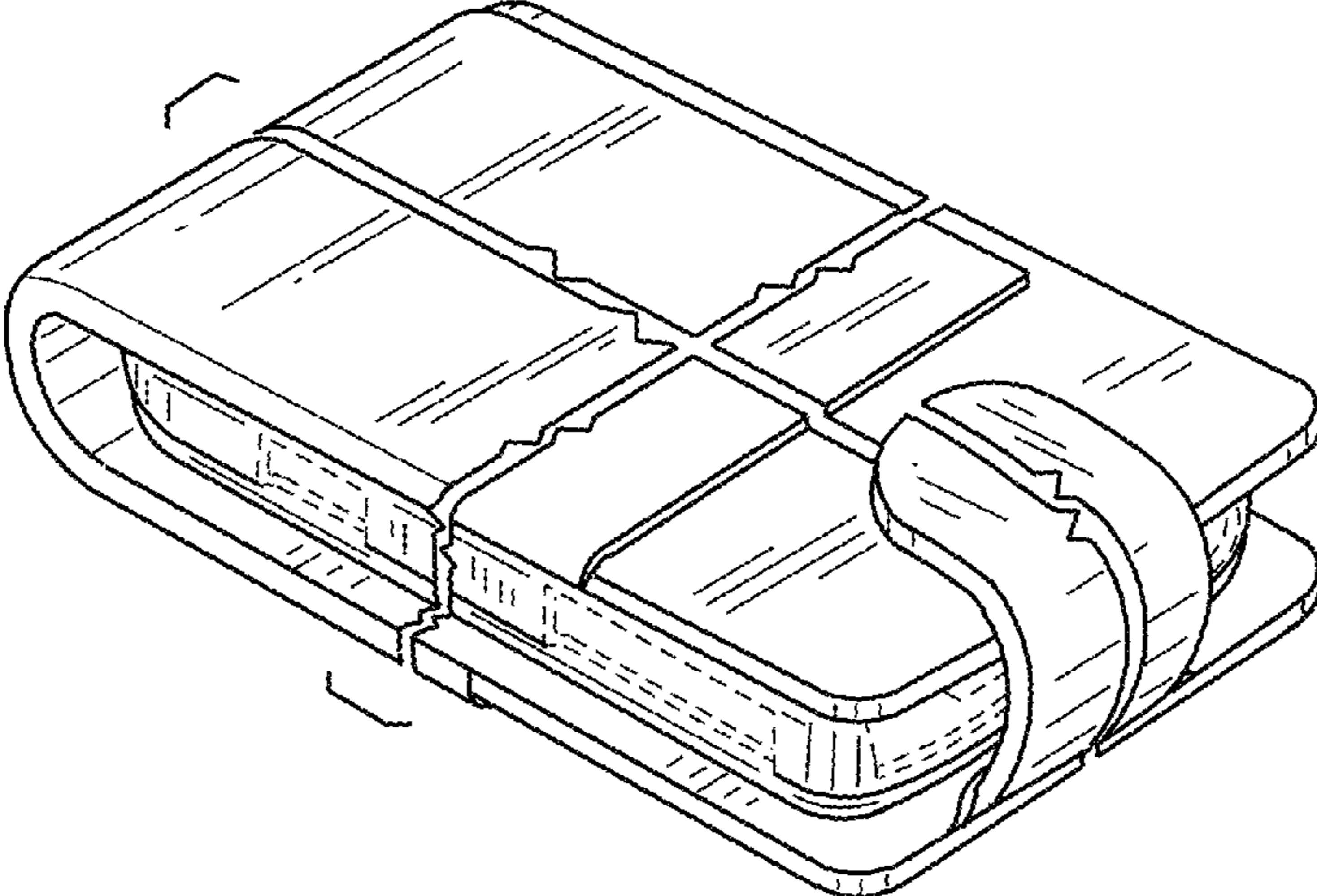


FIG. 1

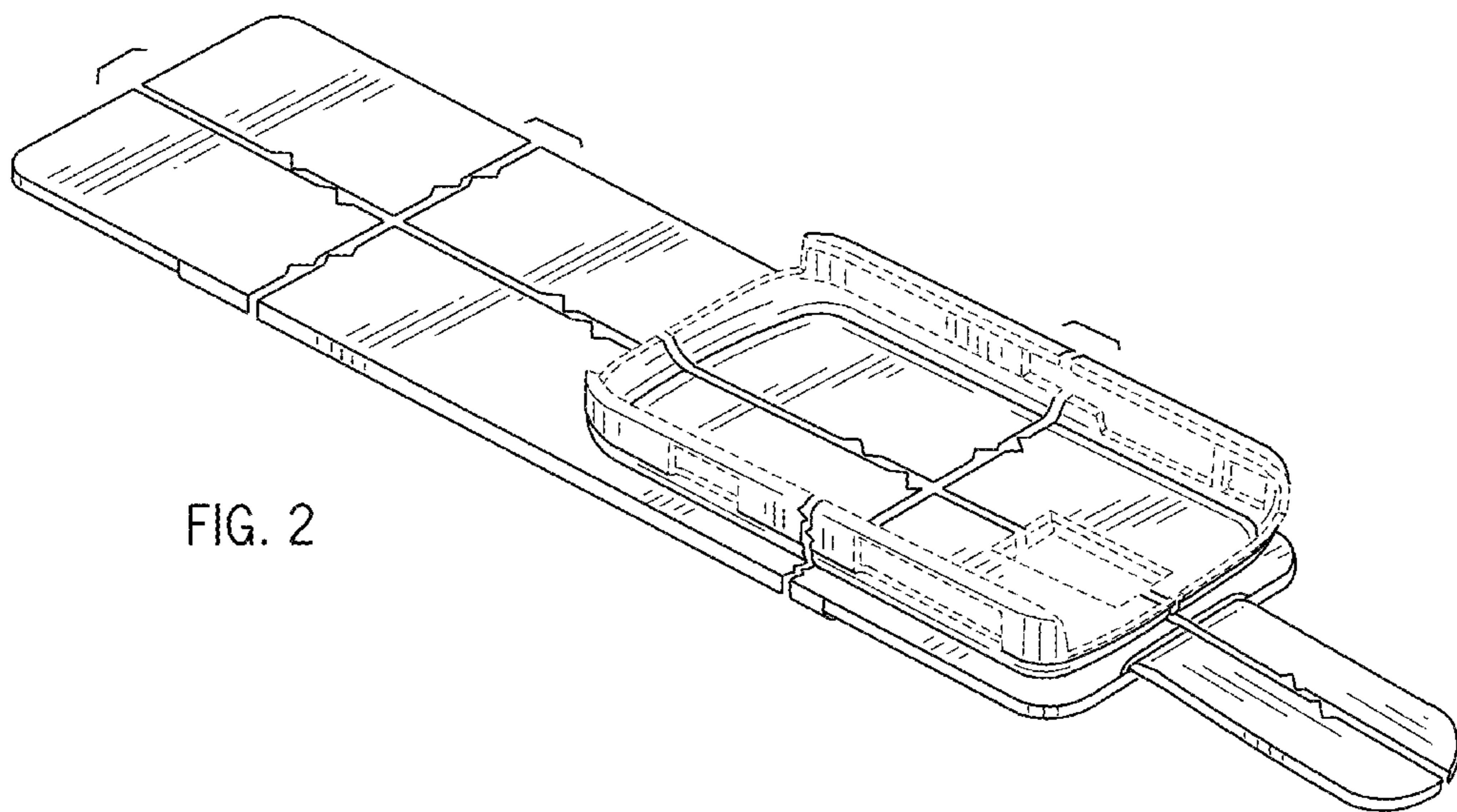


FIG. 2

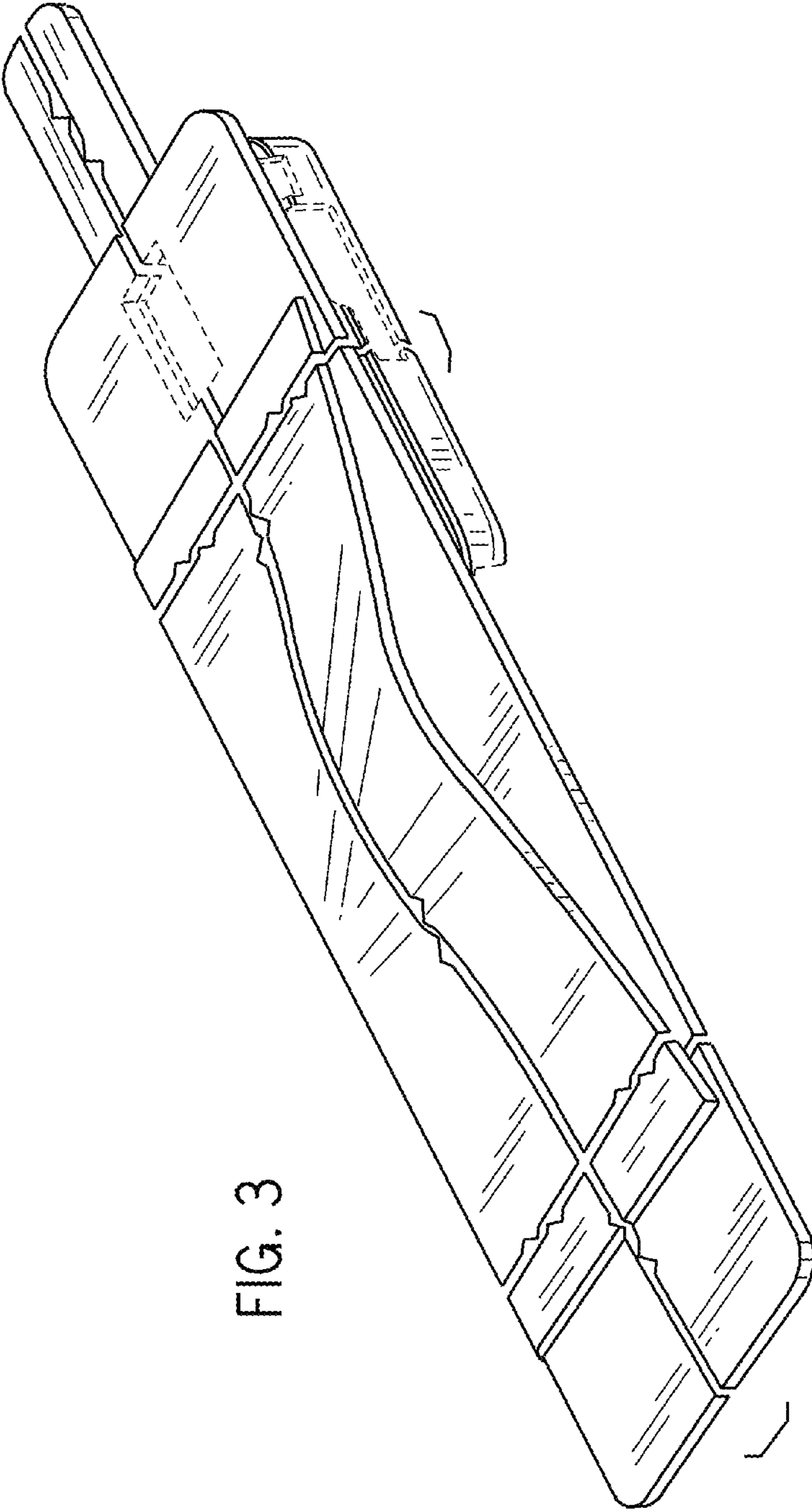


FIG. 3

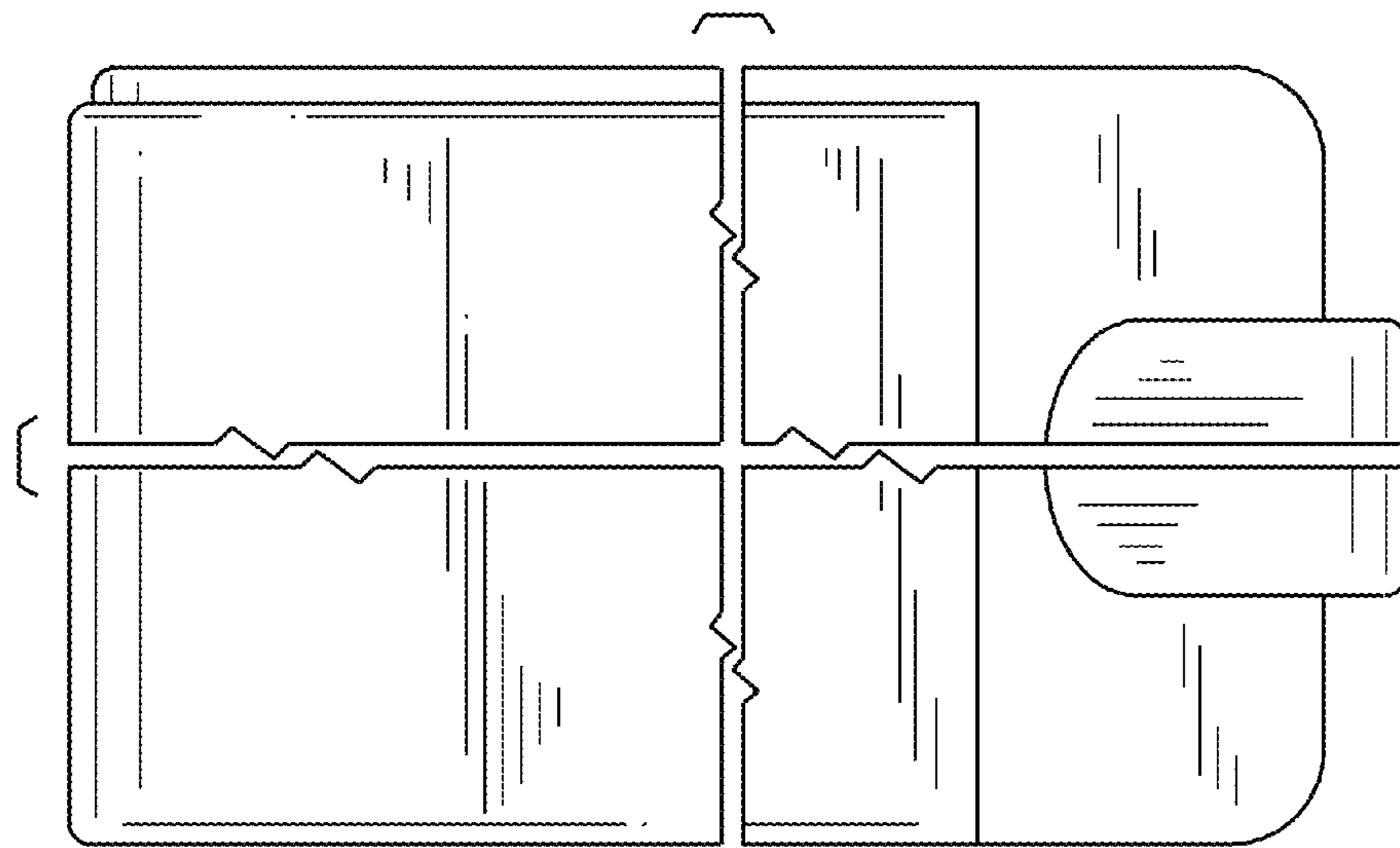


FIG. 4

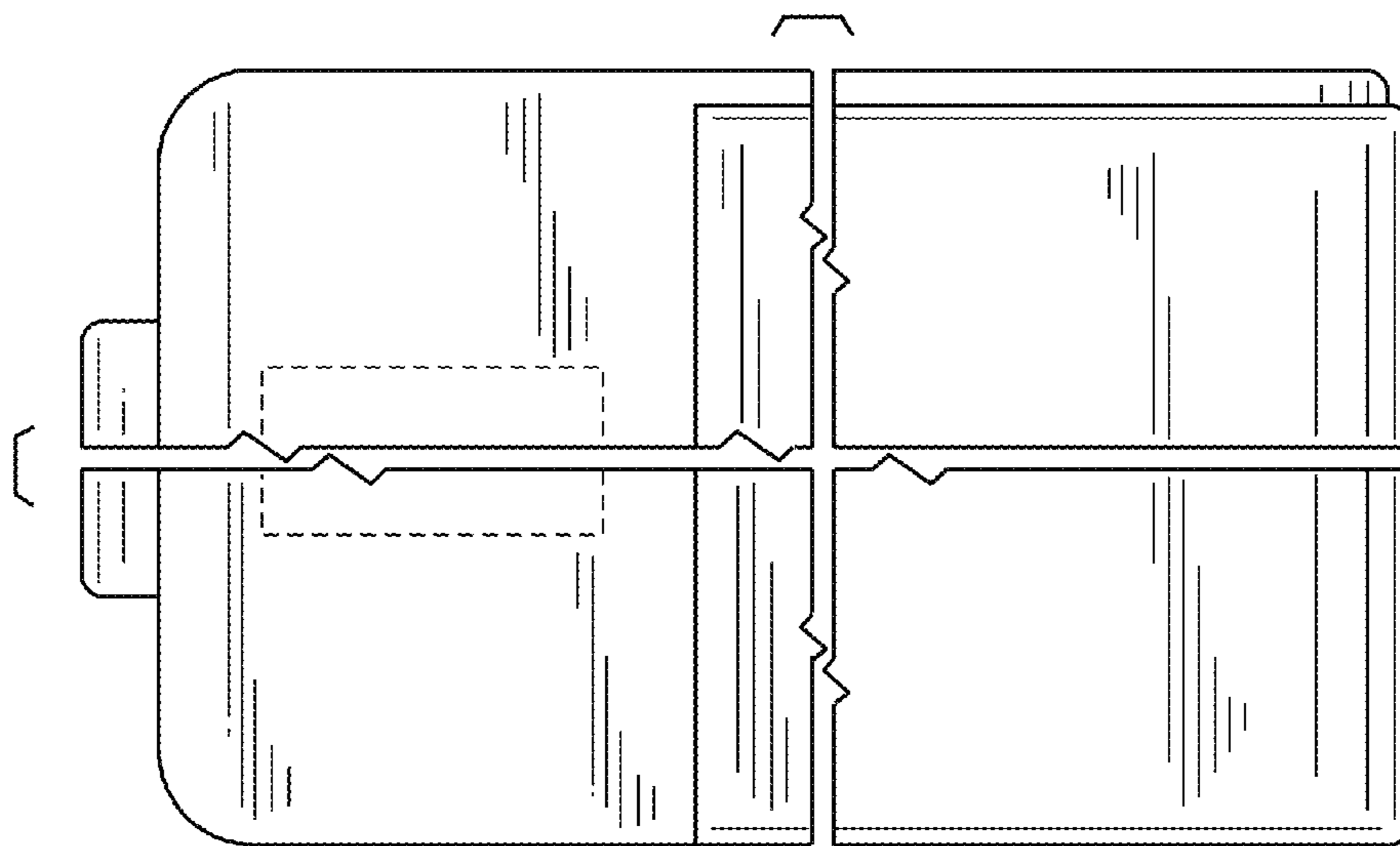


FIG. 5

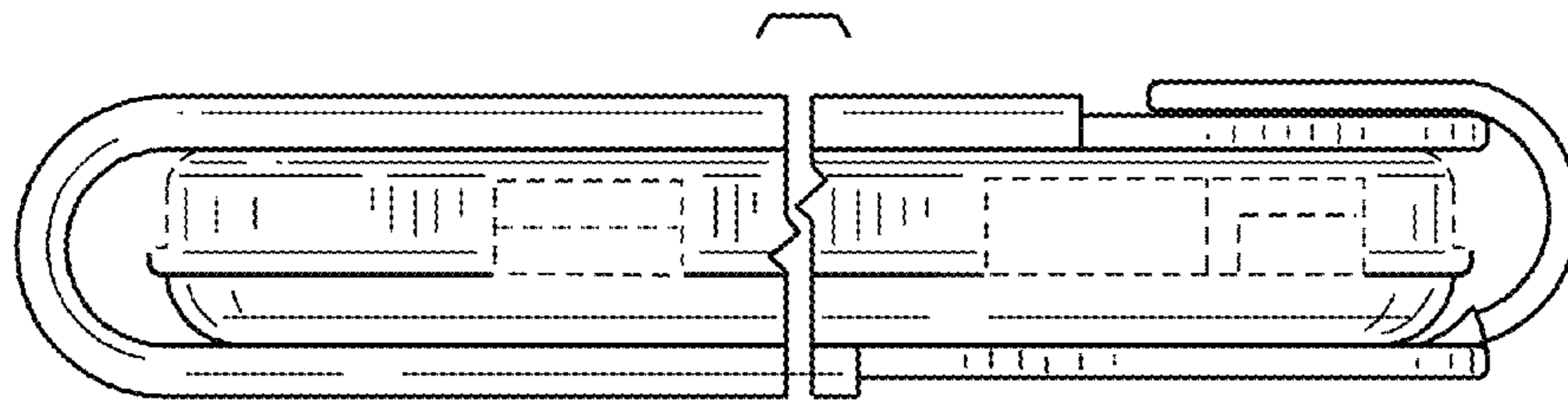


FIG. 6

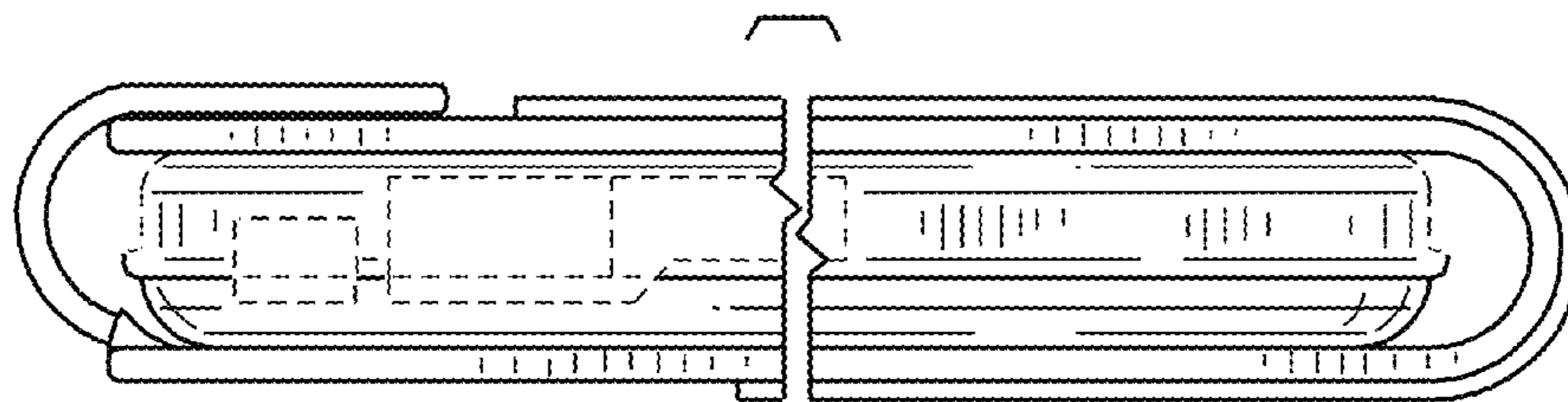


FIG. 7

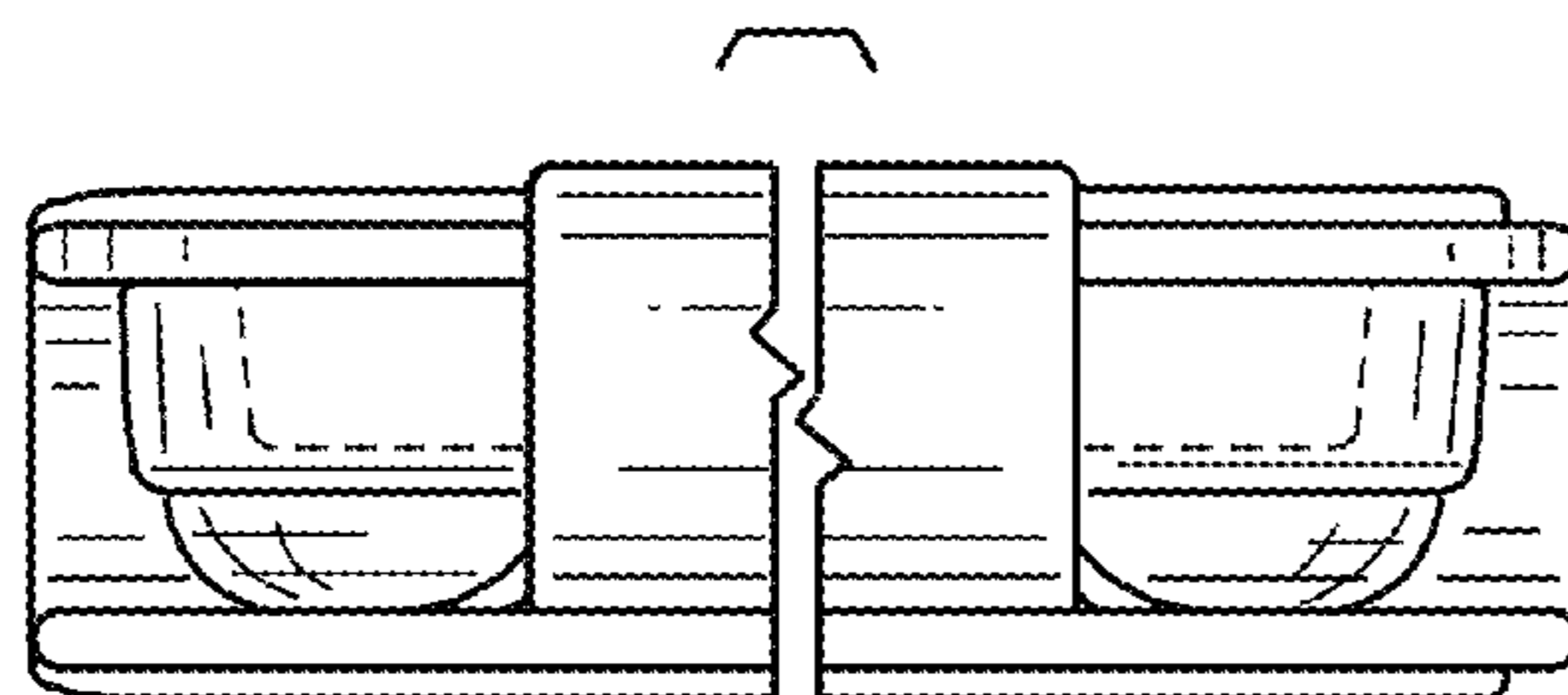


FIG. 8

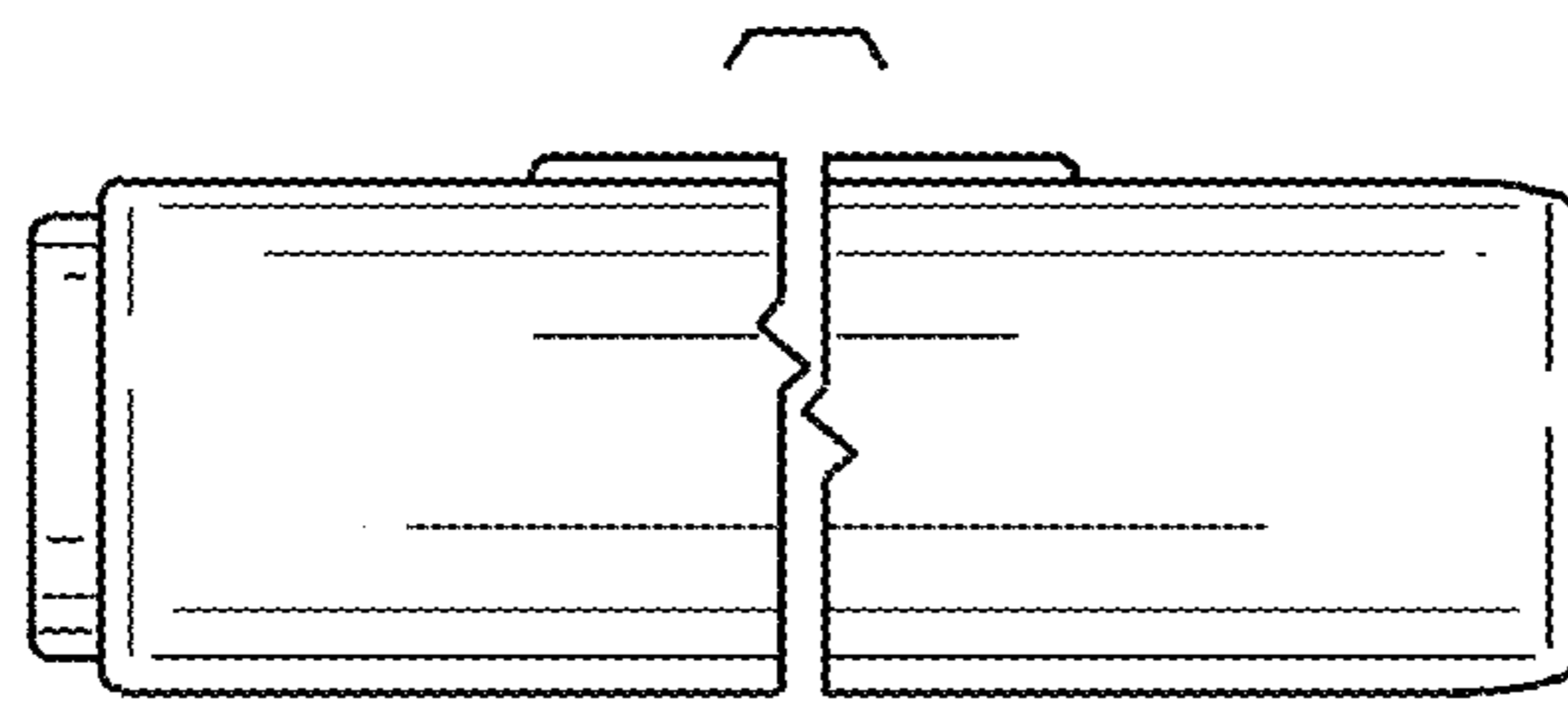


FIG. 9