



US00D668044S

(12) **United States Design Patent**
Quehl

(10) **Patent No.:** **US D668,044 S**

(45) **Date of Patent:** **** Oct. 2, 2012**

(54) **SLING BAG**

(75) Inventor: **Luis Quehl**, Santa Rosa, CA (US)

(73) Assignee: **Daymen Canada Acquisition ULC**,
Vancouver, British Columbia (CA)

(**) Term: **14 Years**

(21) Appl. No.: **29/342,100**

(22) Filed: **Aug. 18, 2009**

(51) **LOC (9) Cl.** **03-01**

(52) **U.S. Cl.** **D3/245; D3/233; D3/246**

(58) **Field of Classification Search** D3/244,
D3/232, 246, 243, 233, 234, 235, 238, 239,
D3/303, 242, 245; D9/305; 150/127, 100,
150/110, 112, 114, 118

See application file for complete search history.

(56) **References Cited**

U.S. PATENT DOCUMENTS

3,814,288	A	*	6/1974	Westrich	222/129
D246,680	S	*	12/1977	Sabol	D3/243
D418,675	S	*	1/2000	du Sartel	D3/243
D436,250	S	*	1/2001	Guyon	D3/243
6,394,157	B2	*	5/2002	Luna	150/113
D462,167	S	*	9/2002	Guyon	D3/246
6,793,112	B2	*	9/2004	Ammerman	224/607
D508,770	S	*	8/2005	Hayes	D3/246
D523,241	S	*	6/2006	Gonzalez	D3/243
D527,177	S	*	8/2006	Pillet	D3/246
D530,511	S	*	10/2006	Guyon	D3/246
D535,098	S	*	1/2007	Maier	D3/246

D541,526	S	*	5/2007	Liljedahl et al.	D3/232
D550,452	S	*	9/2007	Miller et al.	D3/244
D551,451	S	*	9/2007	Nathanson	D3/271.1
D588,358	S	*	3/2009	Gonzalez	D3/243
D609,469	S	*	2/2010	Giannini	D3/245
D627,613	S	*	11/2010	Swartz et al.	D7/709

* cited by examiner

Primary Examiner — John Windmuller

(74) *Attorney, Agent, or Firm* — Medler Ferro PLLC

(57) **CLAIM**

The ornamental design for a sling bag, as shown and described.

DESCRIPTION

FIG. 1 is a perspective view of a sling bag showing my new design with the zipper open;

FIG. 2 is a front view thereof with the zipper open;

FIG. 3 is a left side view thereof;

FIG. 4 is a right side view thereof with the zipper open;

FIG. 5 is a rear view thereof with the zipper open;

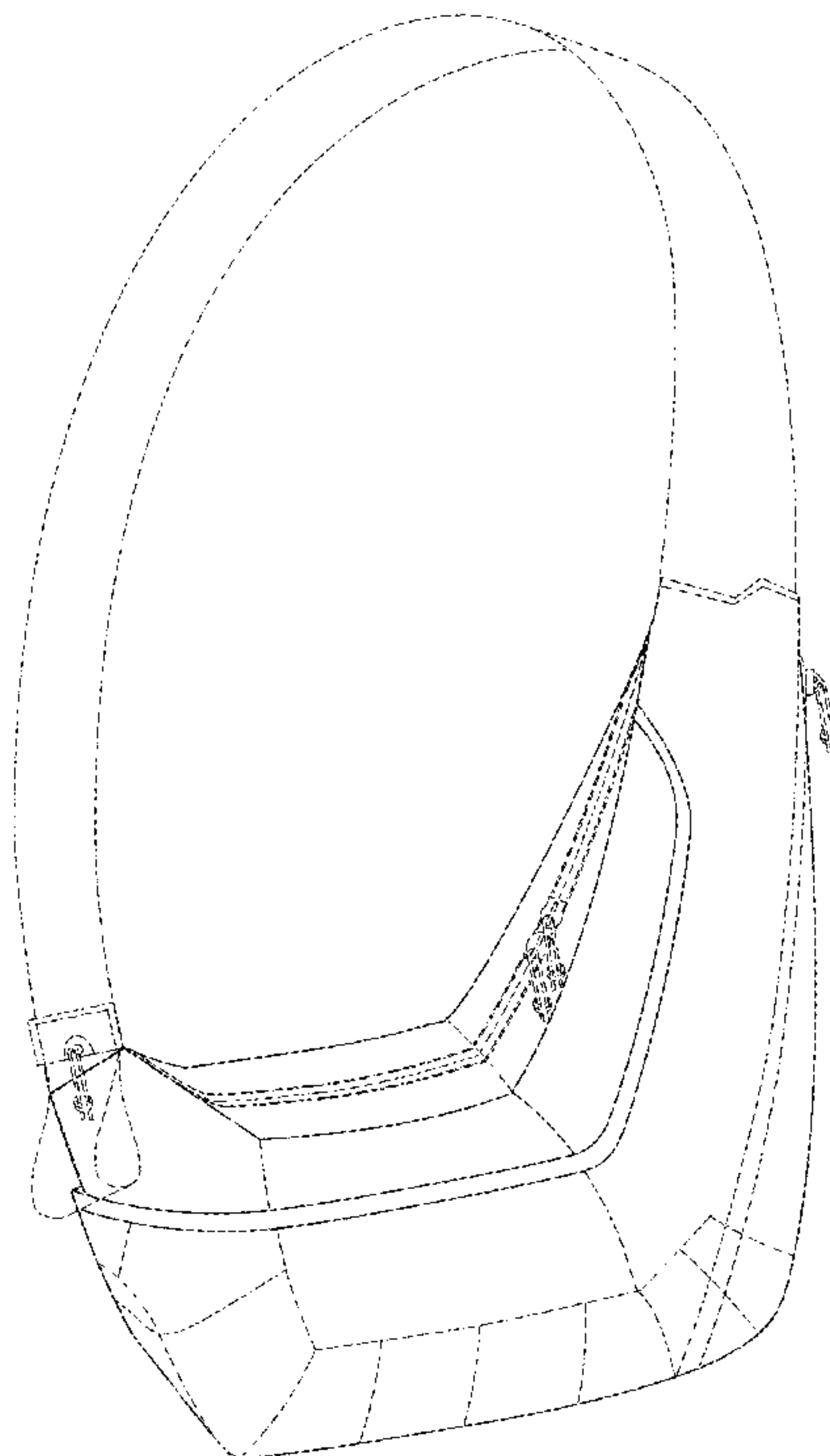
FIG. 6 is a rear view thereof with the zipper closed;

FIG. 7 is a bottom view thereof with the zipper open; and,

FIG. 8 is a bottom view thereof with the zipper closed.

The broken lines showing straps, zippers, and stitching are included for the purpose of illustrating the embodiment of the invention as it would be in use, and form no part of the claimed design.

1 Claim, 7 Drawing Sheets



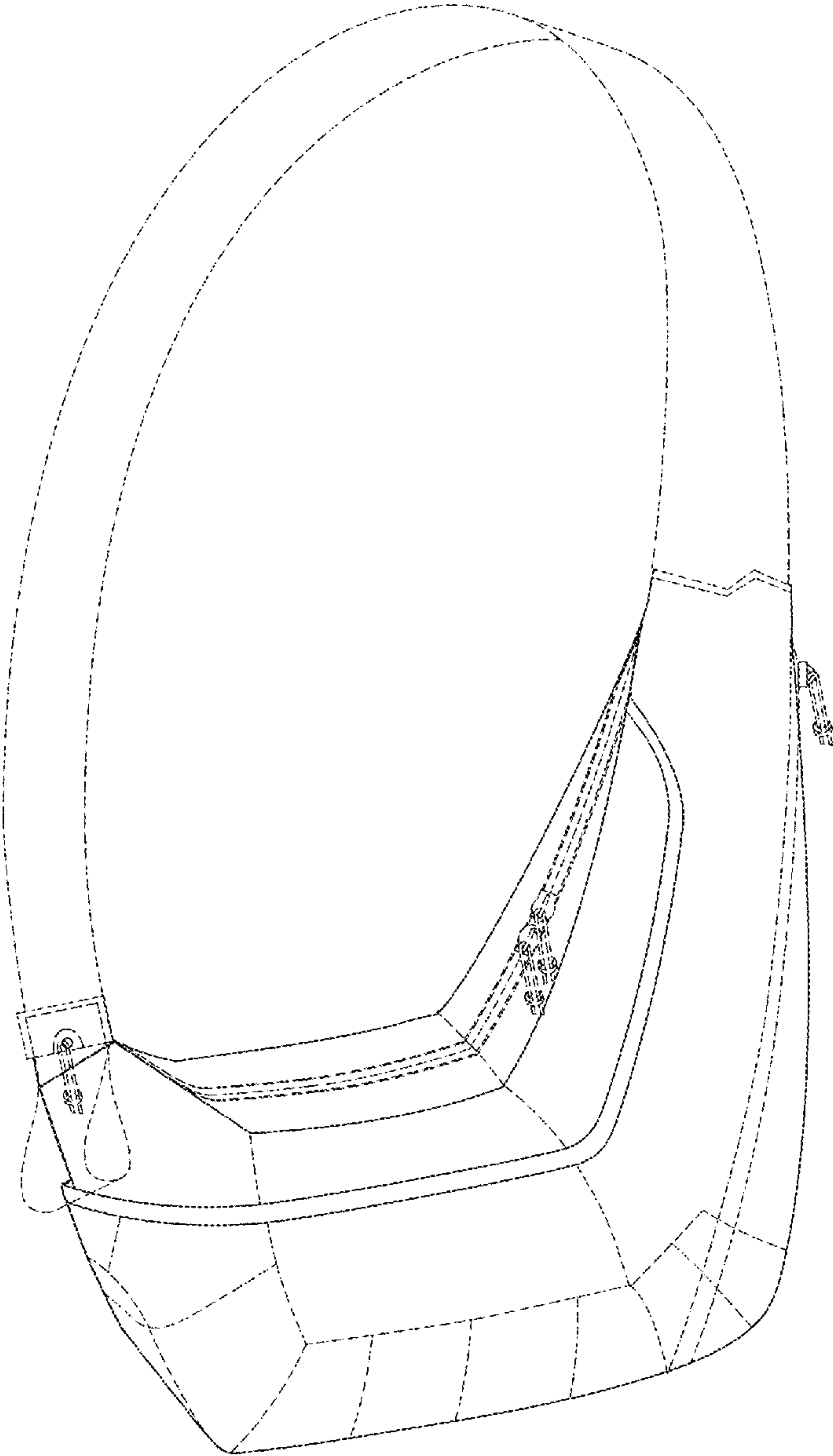


FIG. 1

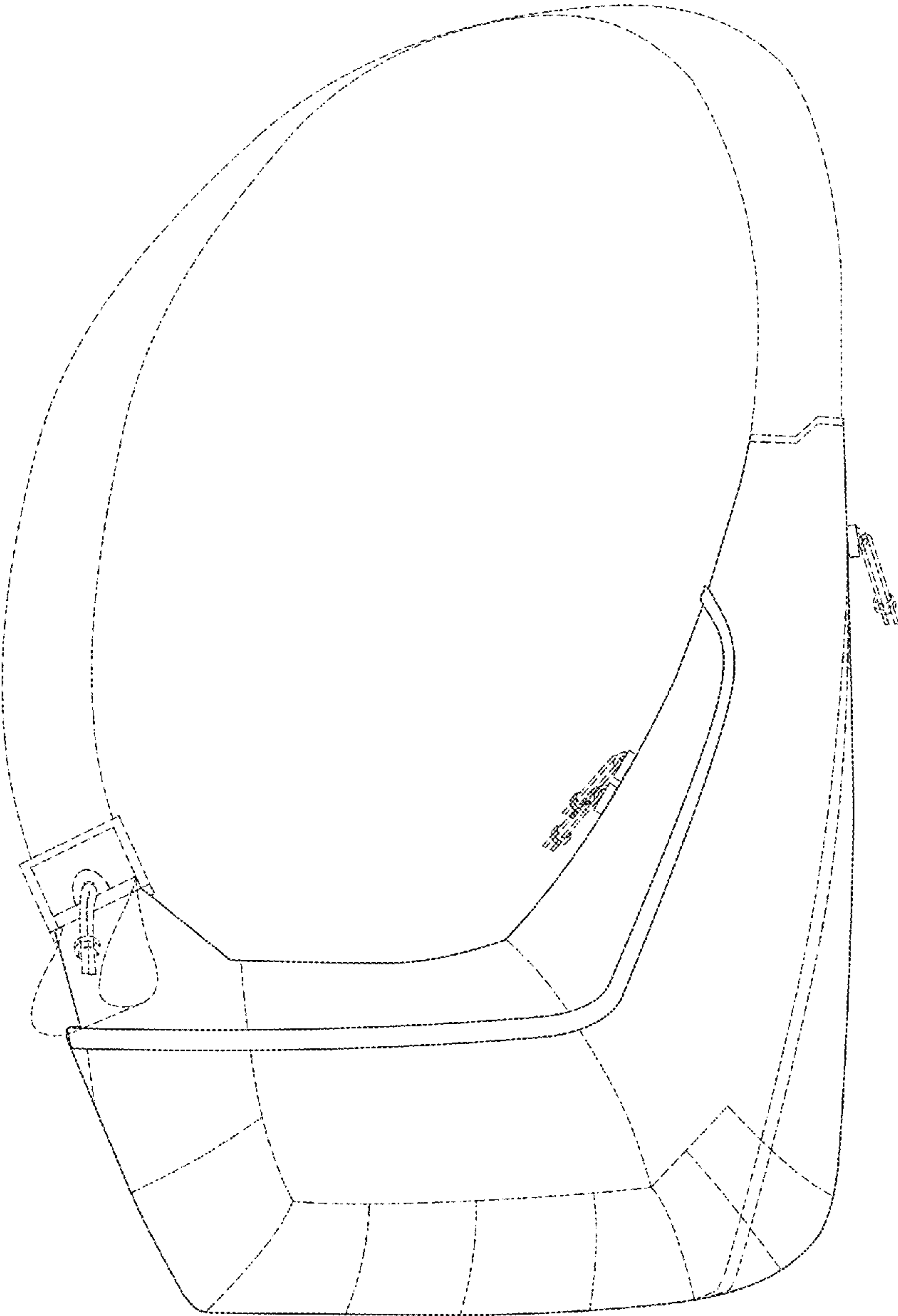


FIG. 2

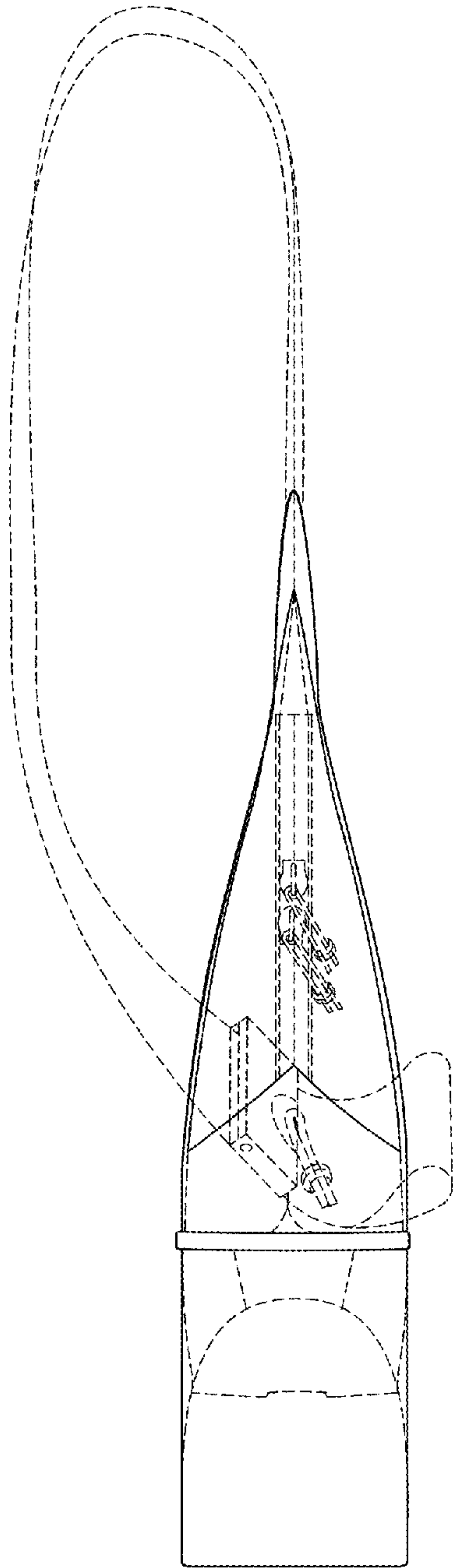


FIG. 3

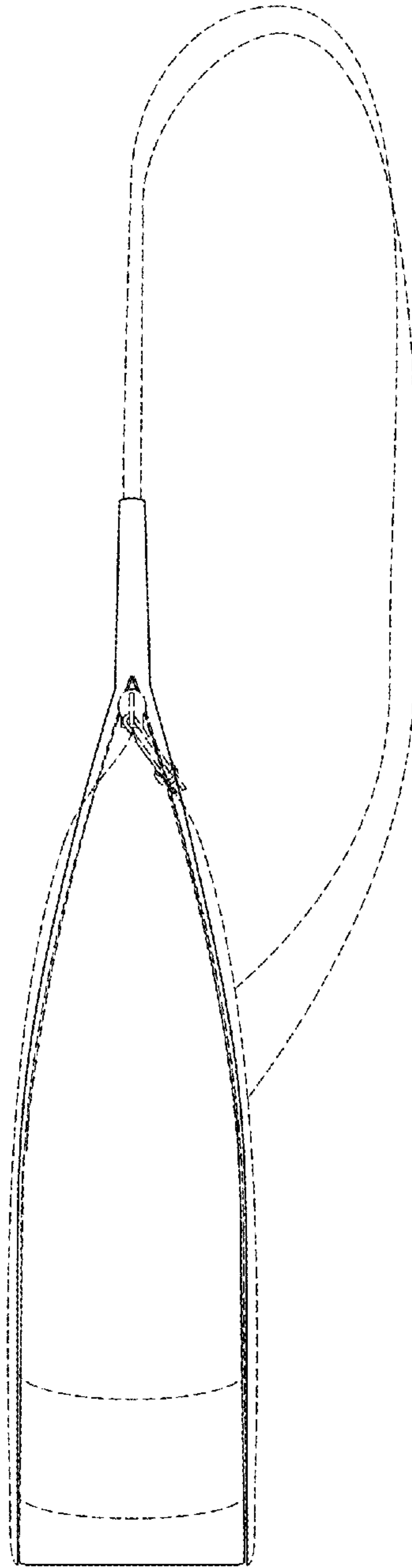


FIG.4

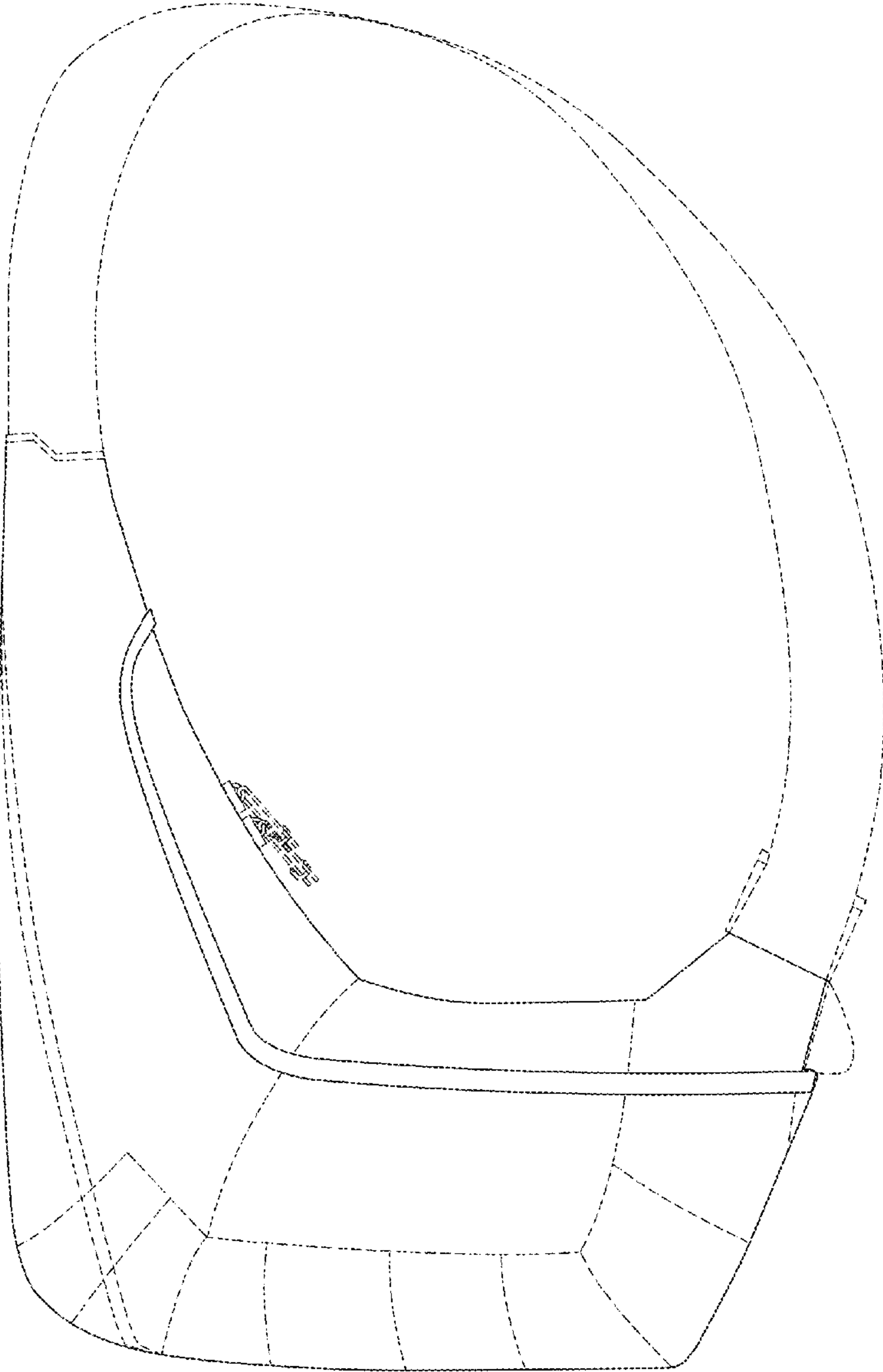


FIG. 5

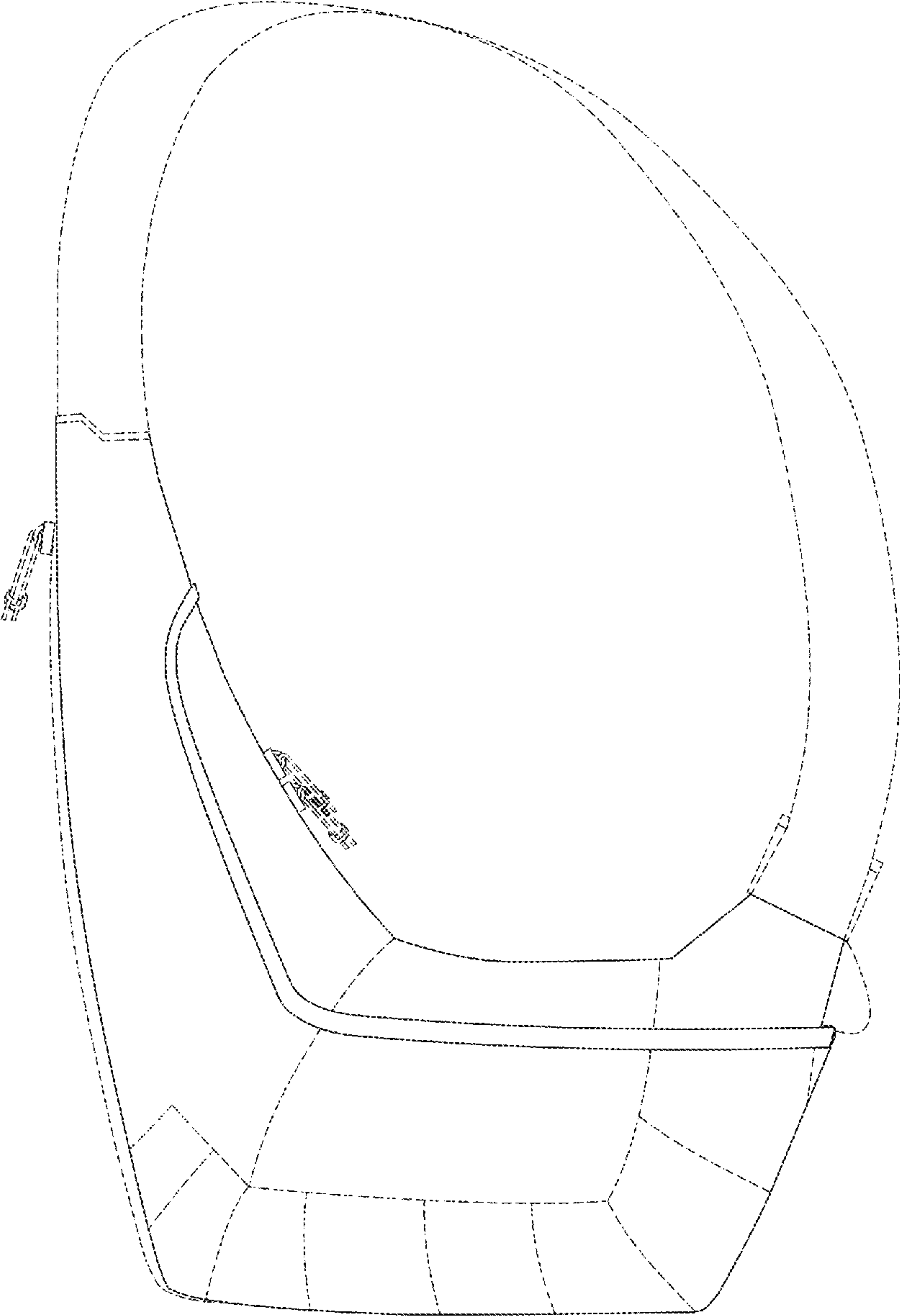


FIG. 6

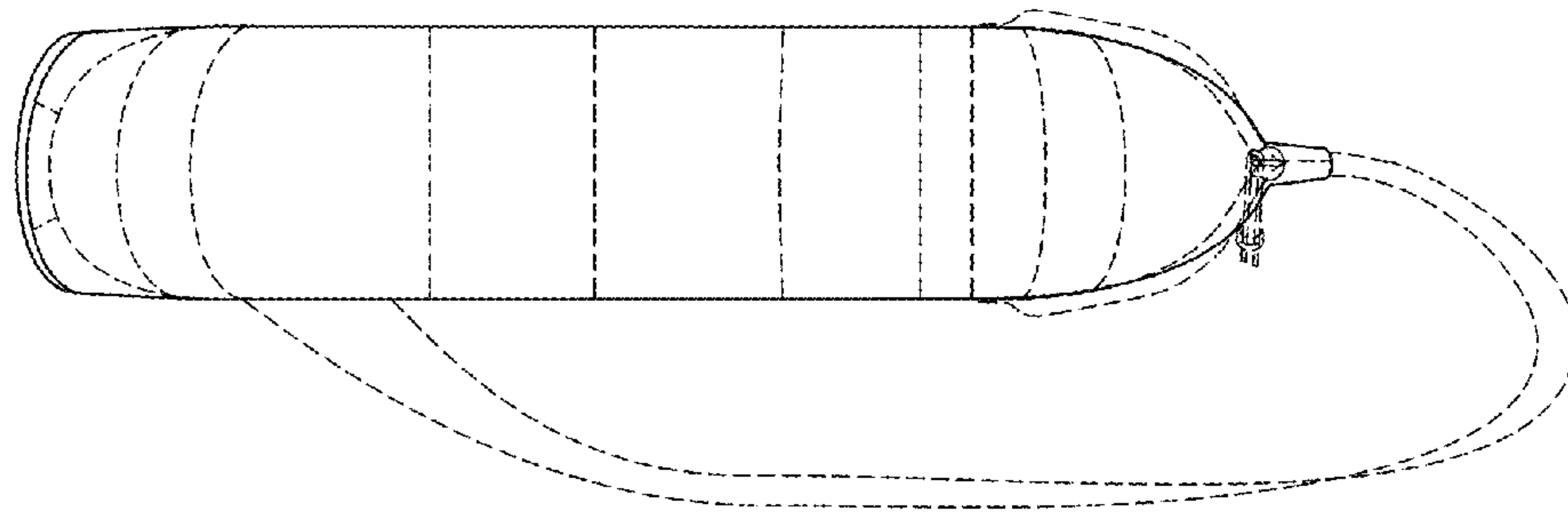


FIG. 7

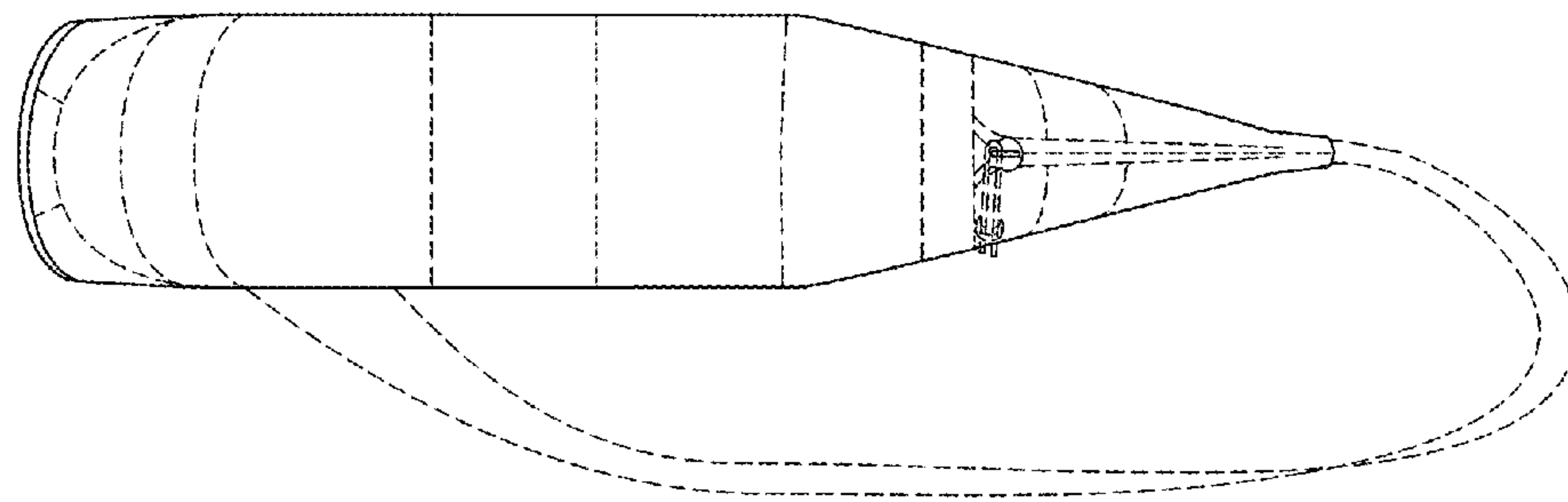


FIG. 8