



US00D668043S

(12) **United States Design Patent**
Quehl

(10) **Patent No.:** **US D668,043 S**

(45) **Date of Patent:** **** Oct. 2, 2012**

(54) **SLING BAG**

(75) Inventor: **Luis Quehl**, Santa Rosa, CA (US)

(73) Assignee: **Daymen Canada Acquisition ULC**,
Vancouver, British Columbia (CA)

(**) Term: **14 Years**

(21) Appl. No.: **29/342,099**

(22) Filed: **Aug. 18, 2009**

(51) **LOC (9) Cl.** **03-01**

(52) **U.S. Cl.** **D3/245; D3/233; D3/246**

(58) **Field of Classification Search** D3/244,
D3/232, 246, 243, 233, 234, 235, 238, 239,
D3/303, 242, 245; D9/305; 150/127, 100,
150/110, 112, 114, 118

See application file for complete search history.

(56) **References Cited**

U.S. PATENT DOCUMENTS

| | | | | | |
|-----------|------|---------|-----------|-------|---------|
| 3,814,288 | A * | 6/1974 | Westrich | | 222/129 |
| D246,680 | S * | 12/1977 | Sabol | | D3/243 |
| D418,675 | S * | 1/2000 | du Sartel | | D3/243 |
| D436,250 | S * | 1/2001 | Guyon | | D3/243 |
| 6,394,157 | B2 * | 5/2002 | Luna | | 150/113 |
| D462,167 | S * | 9/2002 | Guyon | | D3/246 |
| 6,793,112 | B2 * | 9/2004 | Ammerman | | 224/607 |
| D508,770 | S * | 8/2005 | Hayes | | D3/246 |
| D523,241 | S * | 6/2006 | Gonzalez | | D3/243 |

| | | | | | |
|----------|-----|---------|---------------|-------|----------|
| D527,177 | S * | 8/2006 | Pillet | | D3/246 |
| D530,511 | S * | 10/2006 | Guyon | | D3/246 |
| D535,098 | S * | 1/2007 | Maier | | D3/246 |
| D541,526 | S * | 5/2007 | Liljedahl | | D3/232 |
| D550,452 | S * | 9/2007 | Miller et al. | | D3/244 |
| D551,451 | S * | 9/2007 | Nathanson | | D3/271.1 |
| D588,358 | S * | 3/2009 | Gonzalez | | D3/243 |
| D609,469 | S * | 2/2010 | Giannini | | D3/245 |
| D627,613 | S * | 11/2010 | Swartz et al. | | D7/709 |

* cited by examiner

Primary Examiner — John Windmuller

(74) *Attorney, Agent, or Firm* — Medler Ferro PLLC

(57) **CLAIM**

The ornamental design for a sling bag, as shown and described.

DESCRIPTION

FIG. 1 is a perspective view of a sling bag showing my new design with the zipper open;

FIG. 2 is a front view thereof with the zipper open;

FIG. 3 is a left side view thereof;

FIG. 4 is a right side view thereof with the zipper open;

FIG. 5 is a rear view thereof with the zipper open;

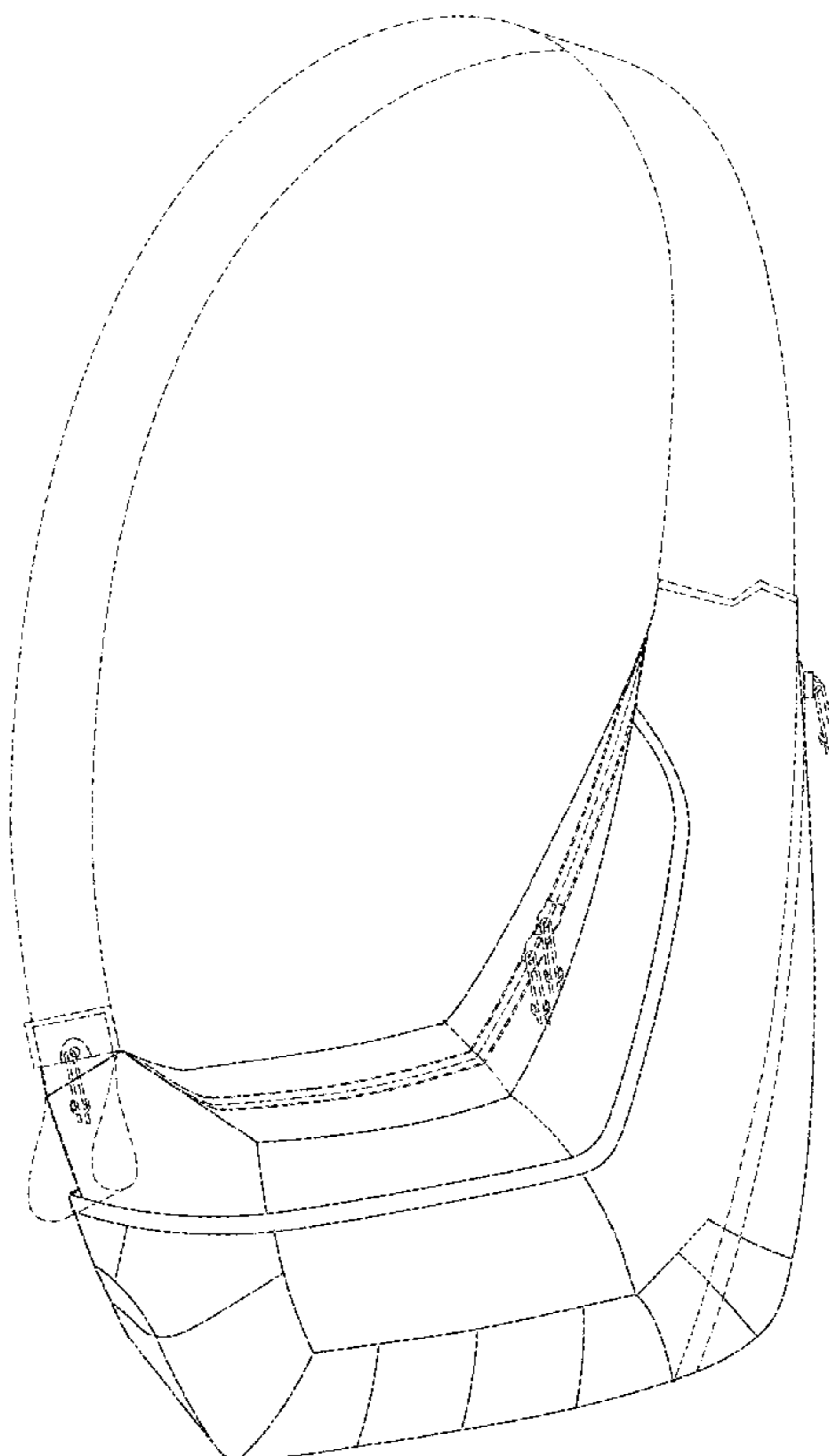
FIG. 6 is a rear view thereof with the zipper closed;

FIG. 7 is a bottom view thereof with the zipper open; and,

FIG. 8 is a bottom view thereof with the zipper closed.

The broken lines showing straps and zippers are included for the purpose of illustrating the embodiment of the invention as it would be in use, and form no part of the claimed design.

1 Claim, 7 Drawing Sheets



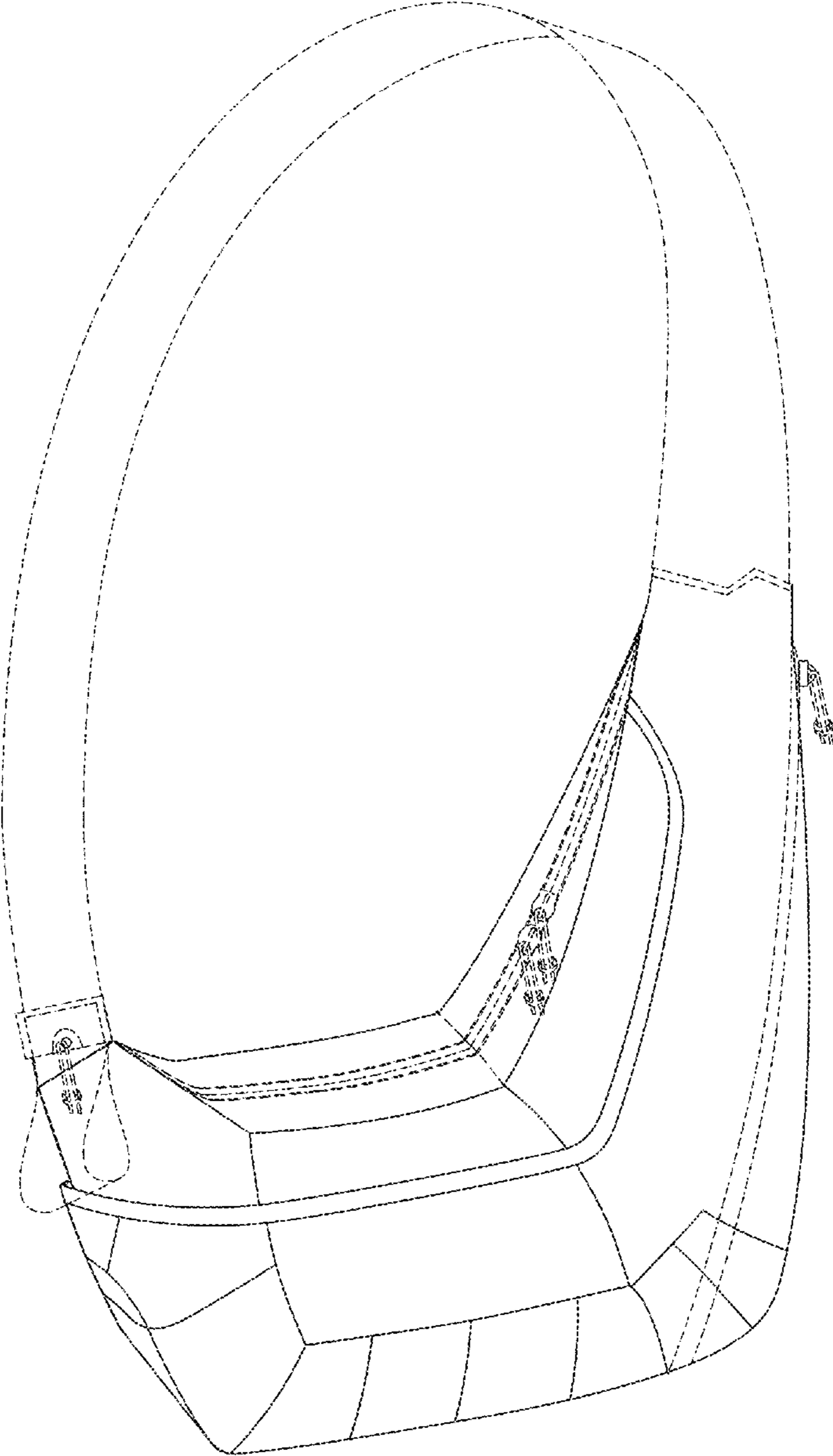


FIG. 1

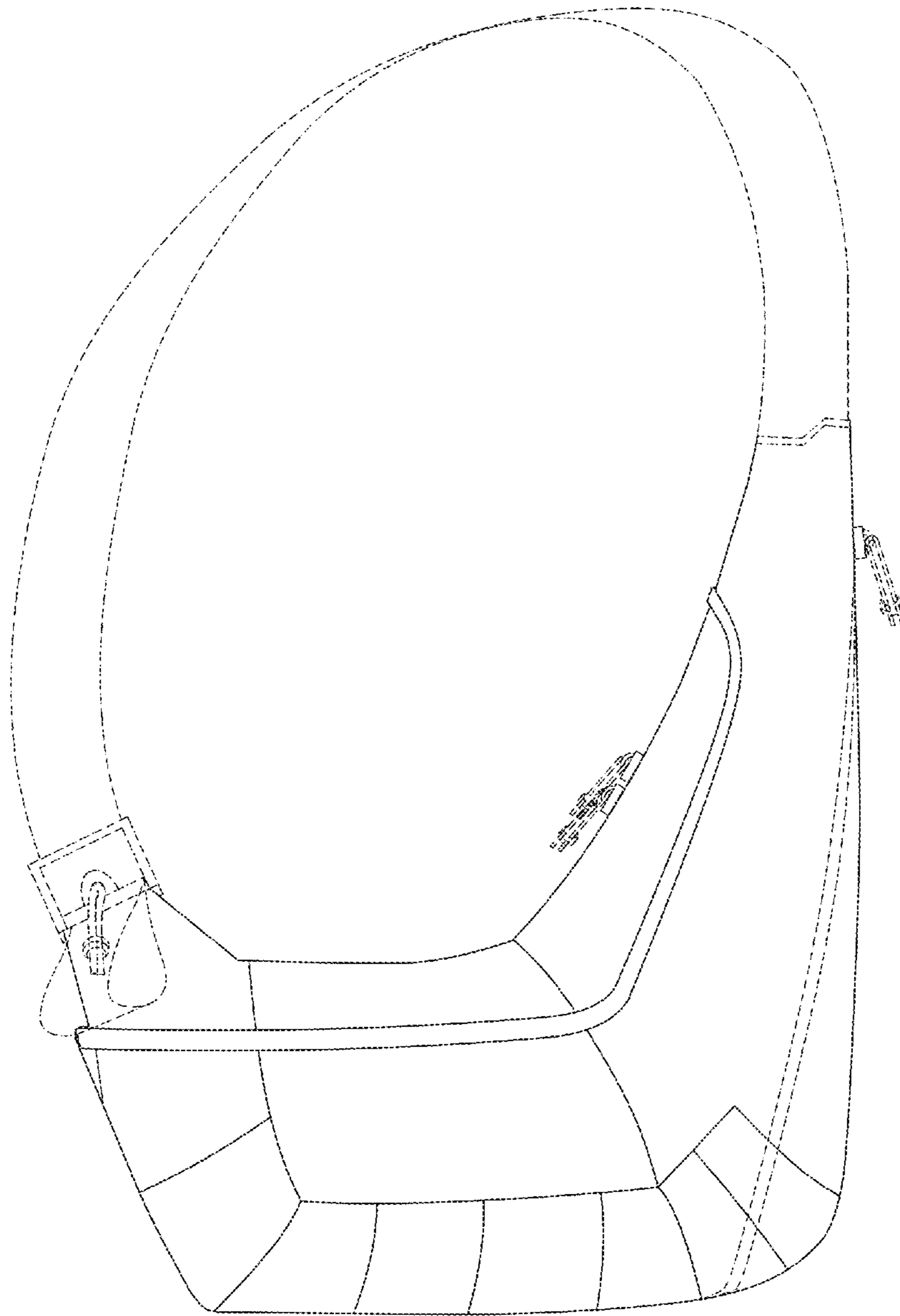


FIG. 2

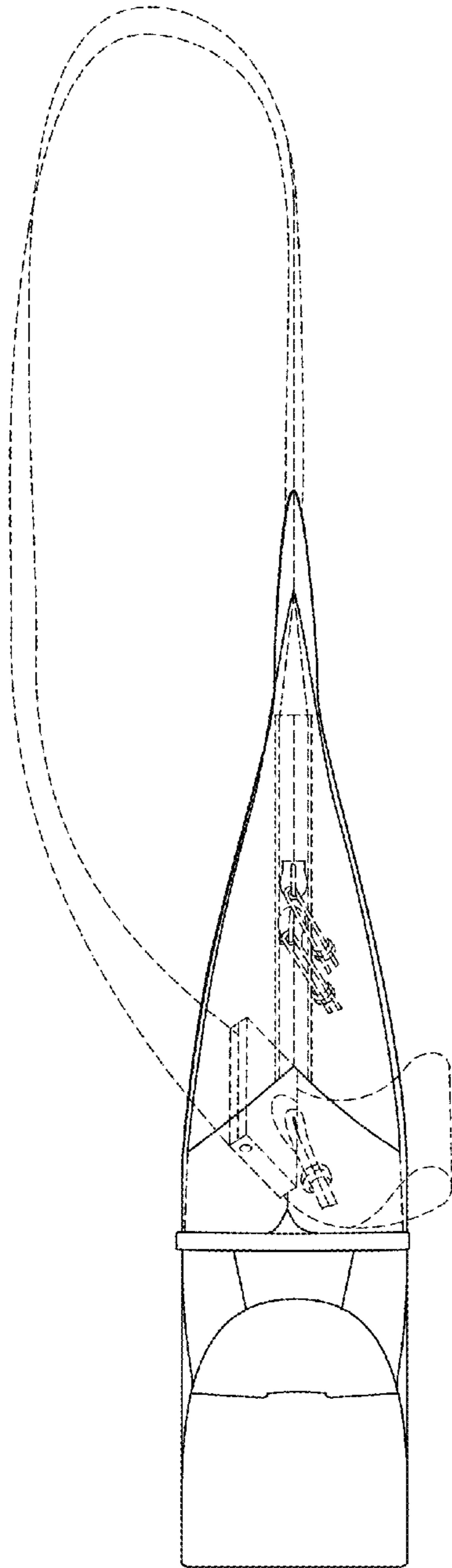


FIG. 3

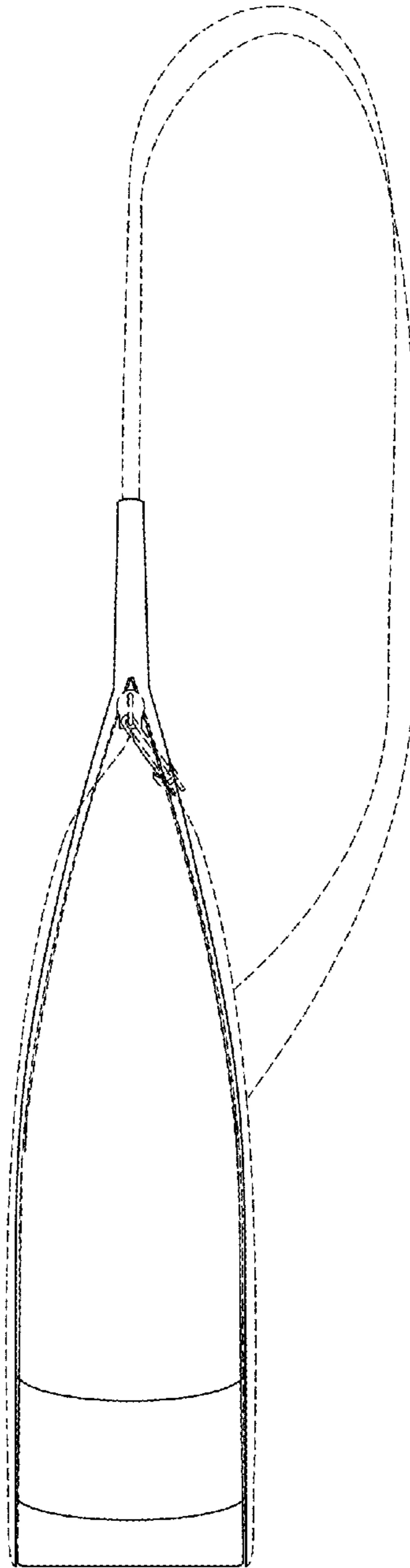


FIG.4

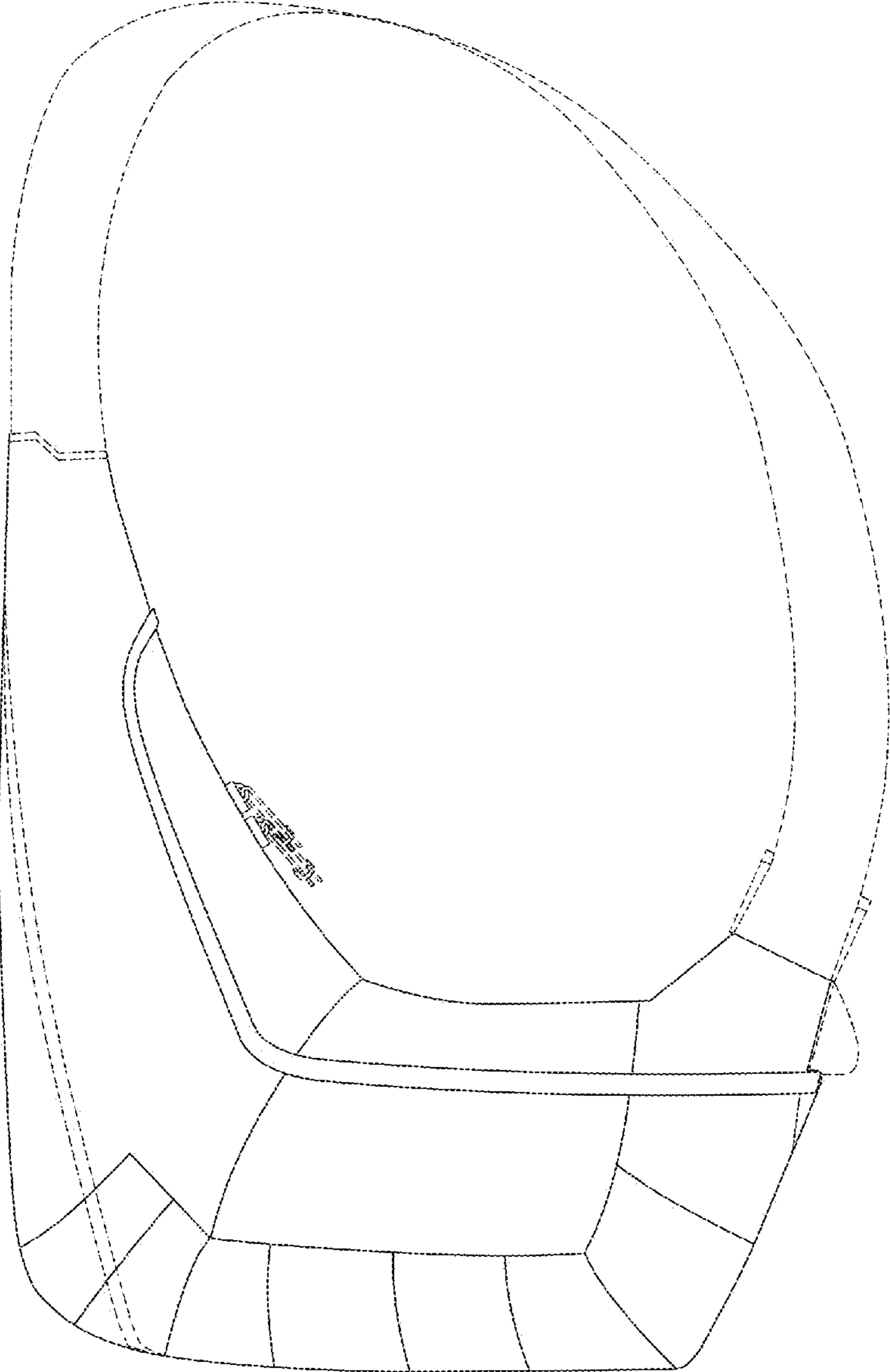


FIG. 5

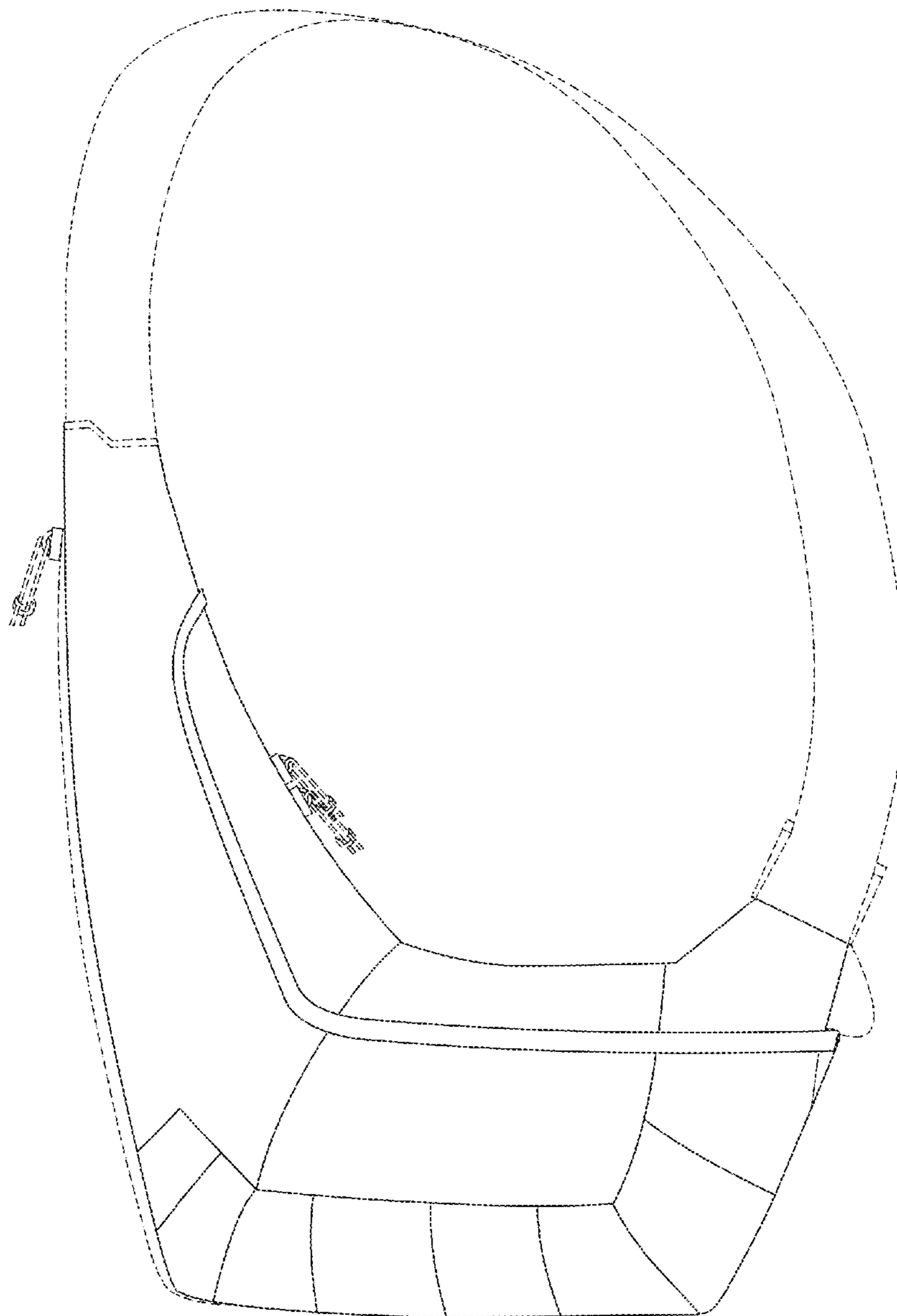


FIG. 6

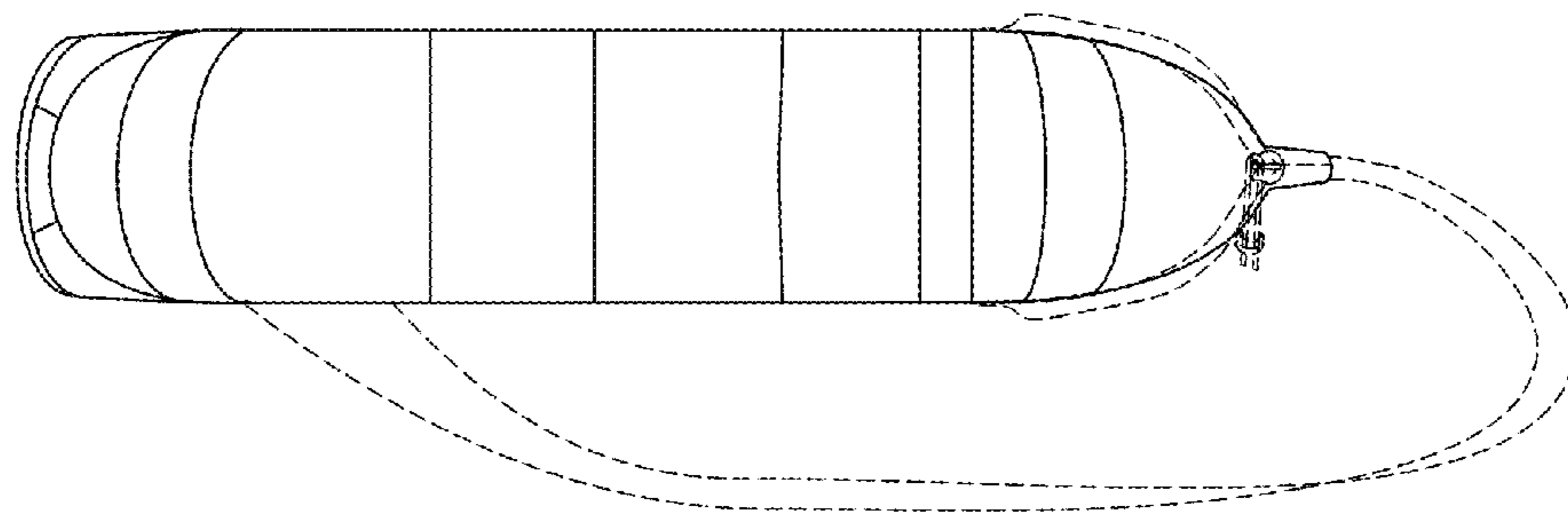


FIG. 7

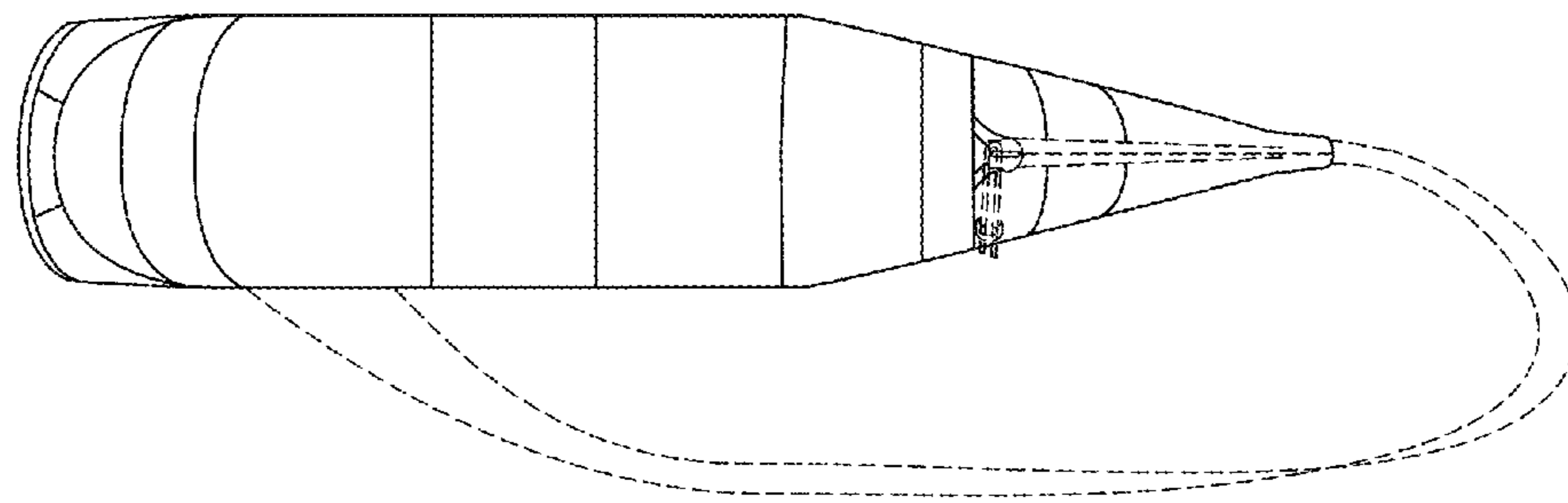


FIG. 8