

US00D668040S

(12) **United States Design Patent**  
**Chen et al.**

(10) **Patent No.:** **US D668,040 S**

(45) **Date of Patent:** **\*\* Oct. 2, 2012**

(54) **TOOL STORAGE BOX**

*Primary Examiner* — Catheri Oliver-Garcia

(76) Inventors: **Yi-Ying Chen**, Tai Ping (TW); **Shu-Fen Cheng**, Tai Ping (TW)

(57) **CLAIM**

(\*\*) Term: **14 Years**

The ornamental design for a tool storage box, as shown and described.

(21) Appl. No.: **29/410,003**

(22) Filed: **Jan. 2, 2012**

**DESCRIPTION**

(51) **LOC (9) Cl.** ..... **03-01**

FIG. 1 is a perspective view of a tool storage box showing my new design;

(52) **U.S. Cl.** ..... **D3/228**

FIG. 2 is a front back view thereof;

(58) **Field of Classification Search** ..... D3/228,

FIG. 3 is a rear back view thereof;

D3/201, 205, 215, 905, 273, 294, 225, 230;

FIG. 4 is a left side view thereof;

224/240-241, 250, 253, 667, 901, 904; 206/387

FIG. 5 is a right side view thereof;

See application file for complete search history.

FIG. 6 is a top plan view thereof; and

FIG. 7 is a bottom plan view thereof; and,

(56) **References Cited**

FIG. 8 is a perspective view with the clip shown in an alternate position.

**U.S. PATENT DOCUMENTS**

D385,107 S \* 10/1997 Hsueh ..... D3/228

The broken line showing of environment in the drawings is included for the purpose of illustrating only and forms no part of the claimed design.

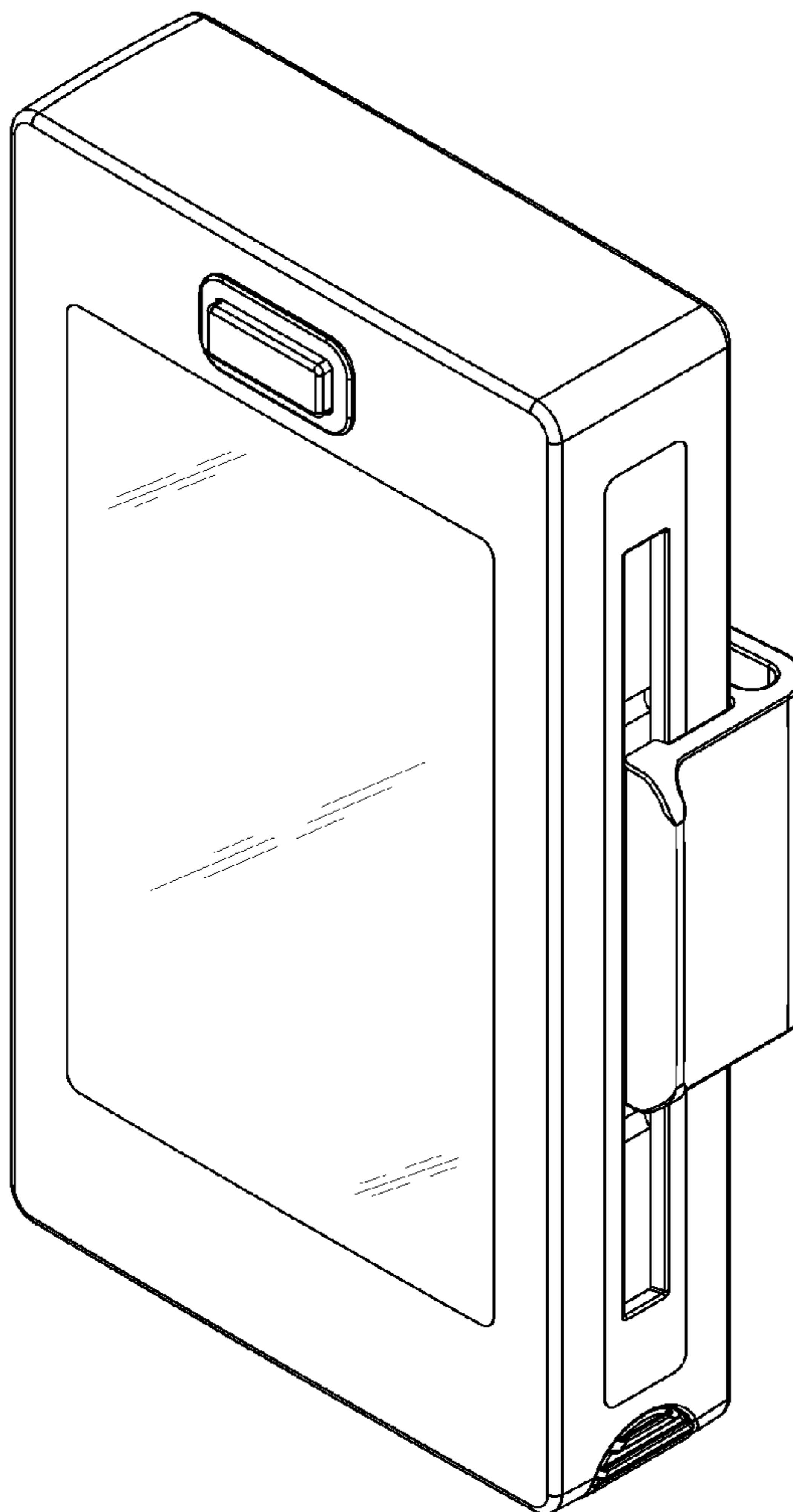
D387,898 S \* 12/1997 Ronzani ..... D3/215

D494,755 S \* 8/2004 Hansen ..... D3/228

D532,603 S \* 11/2006 Chen ..... D3/228

\* cited by examiner

**1 Claim, 5 Drawing Sheets**



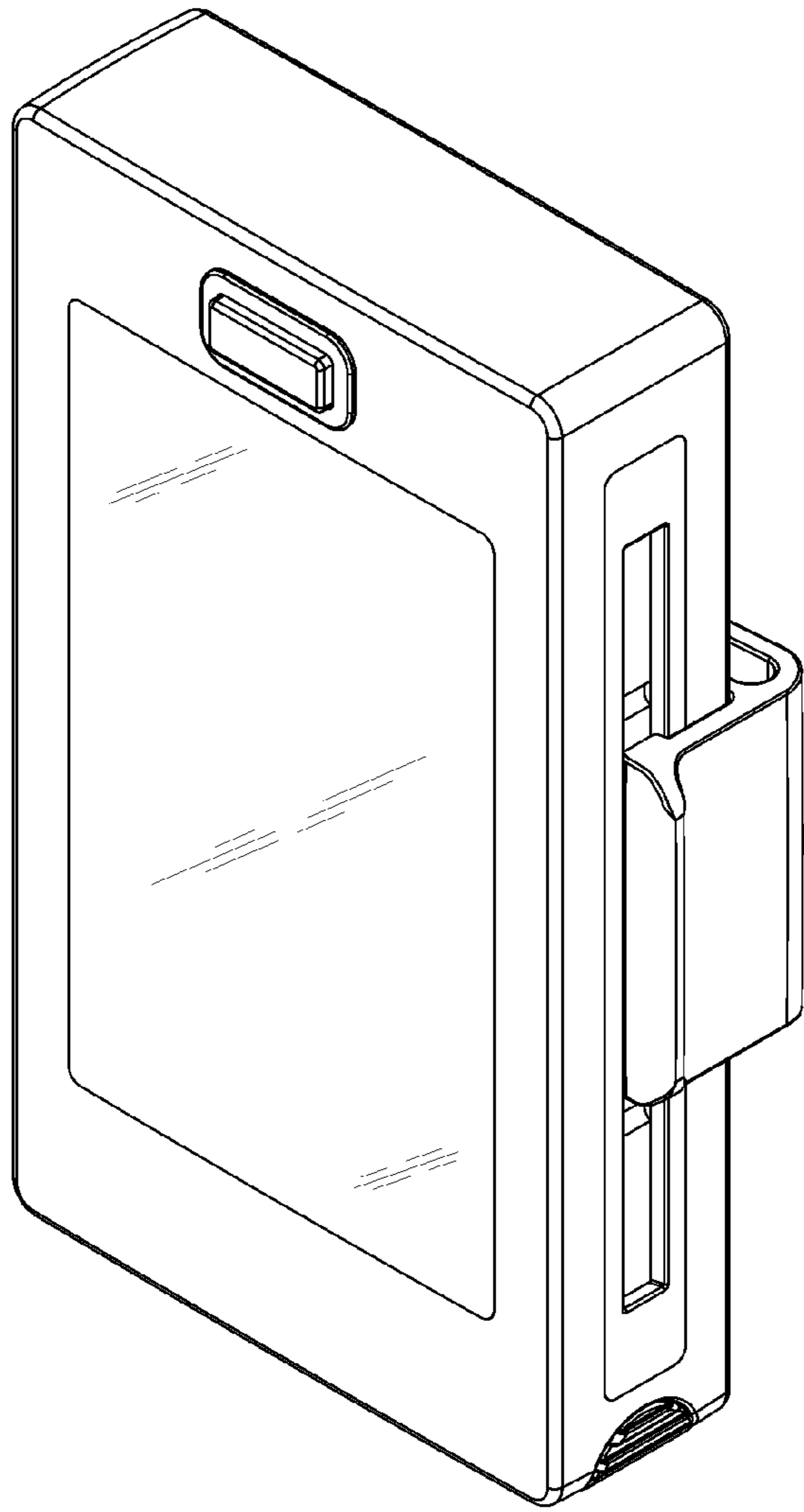


FIG. 1

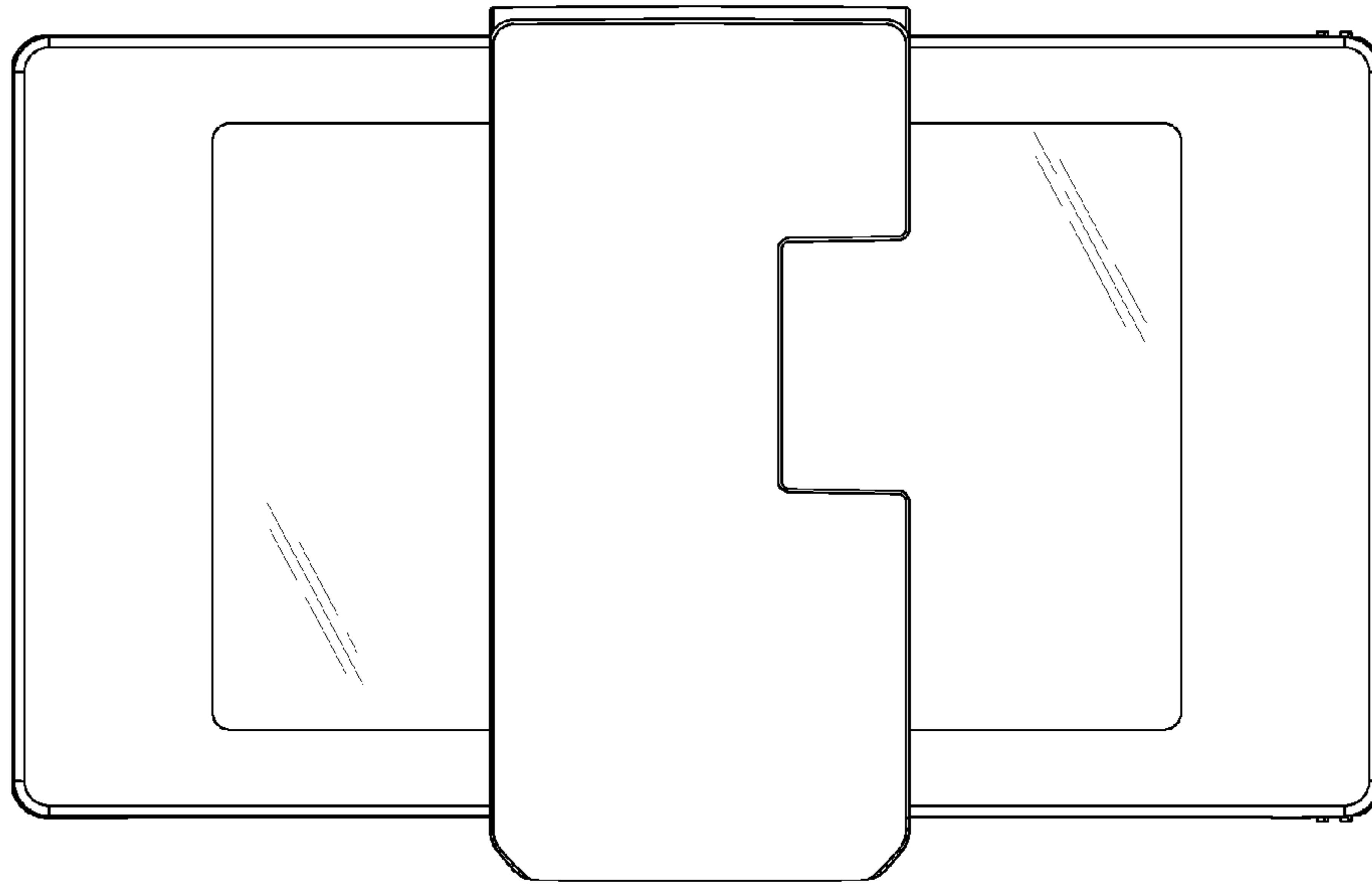


FIG. 3

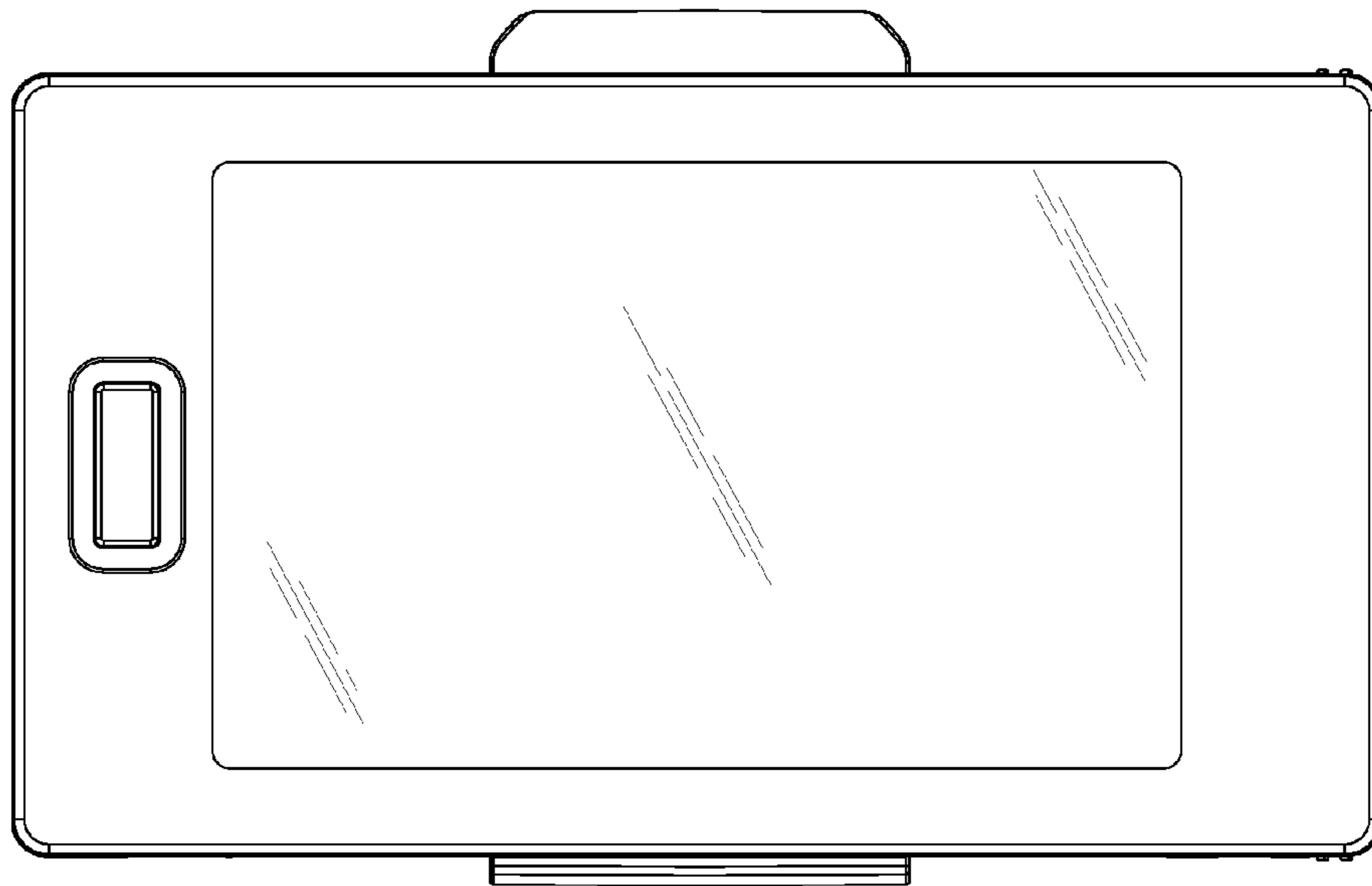


FIG. 2

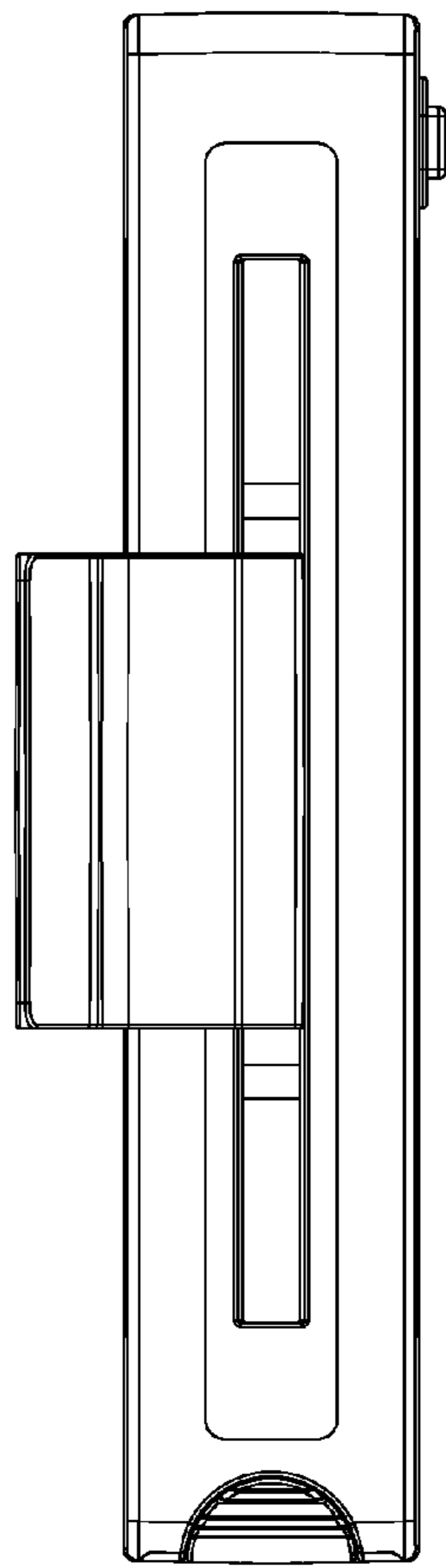


FIG. 4

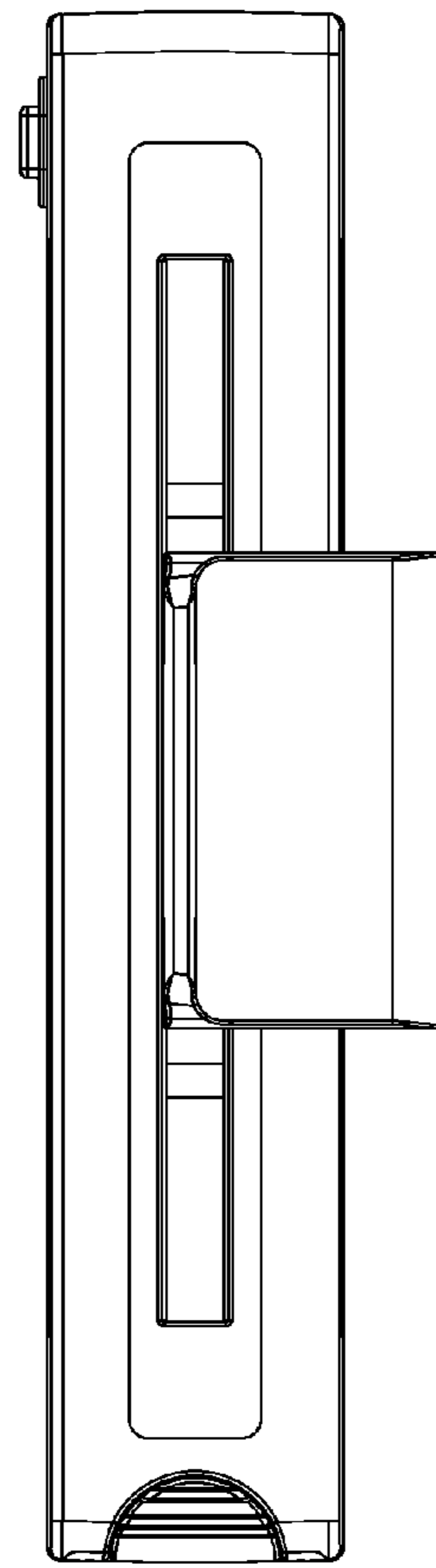


FIG. 5

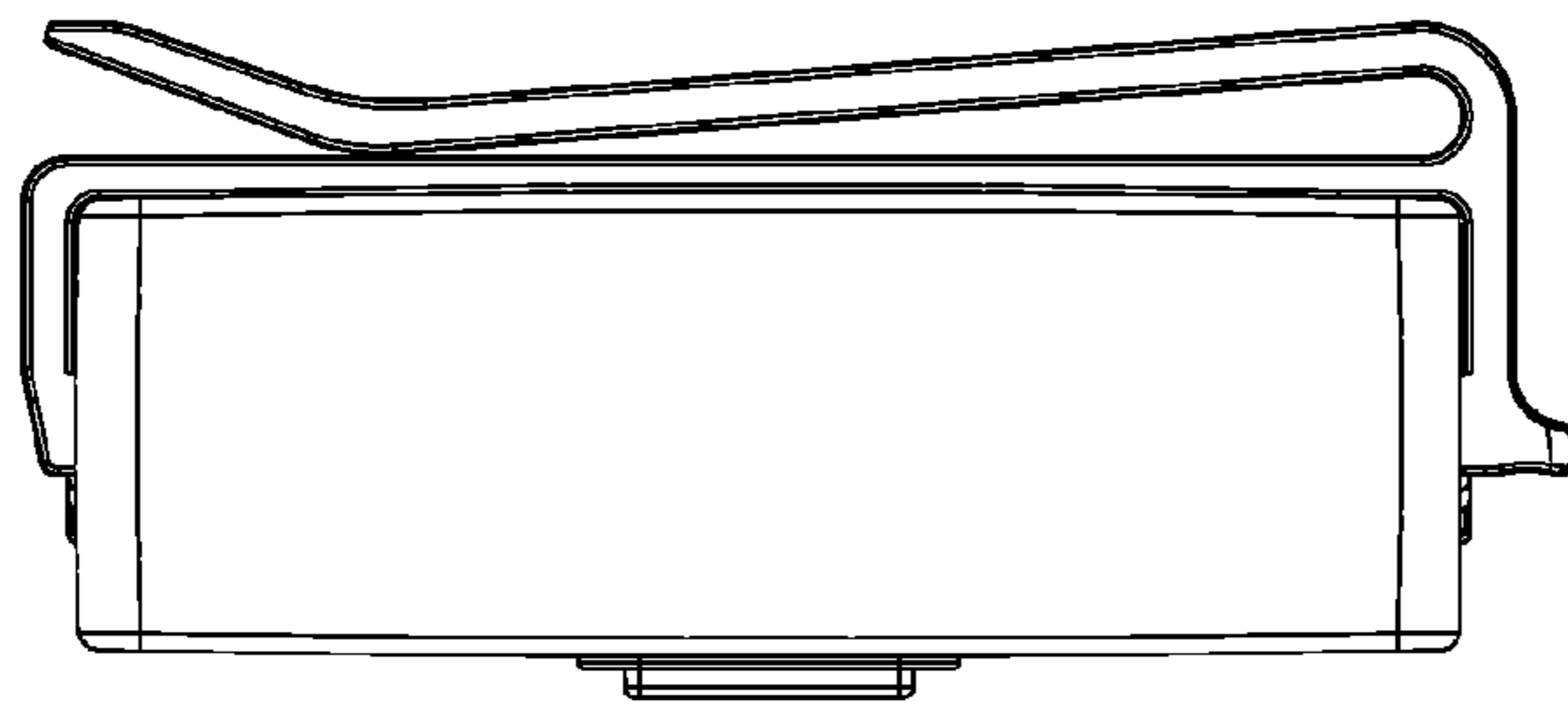


FIG. 6

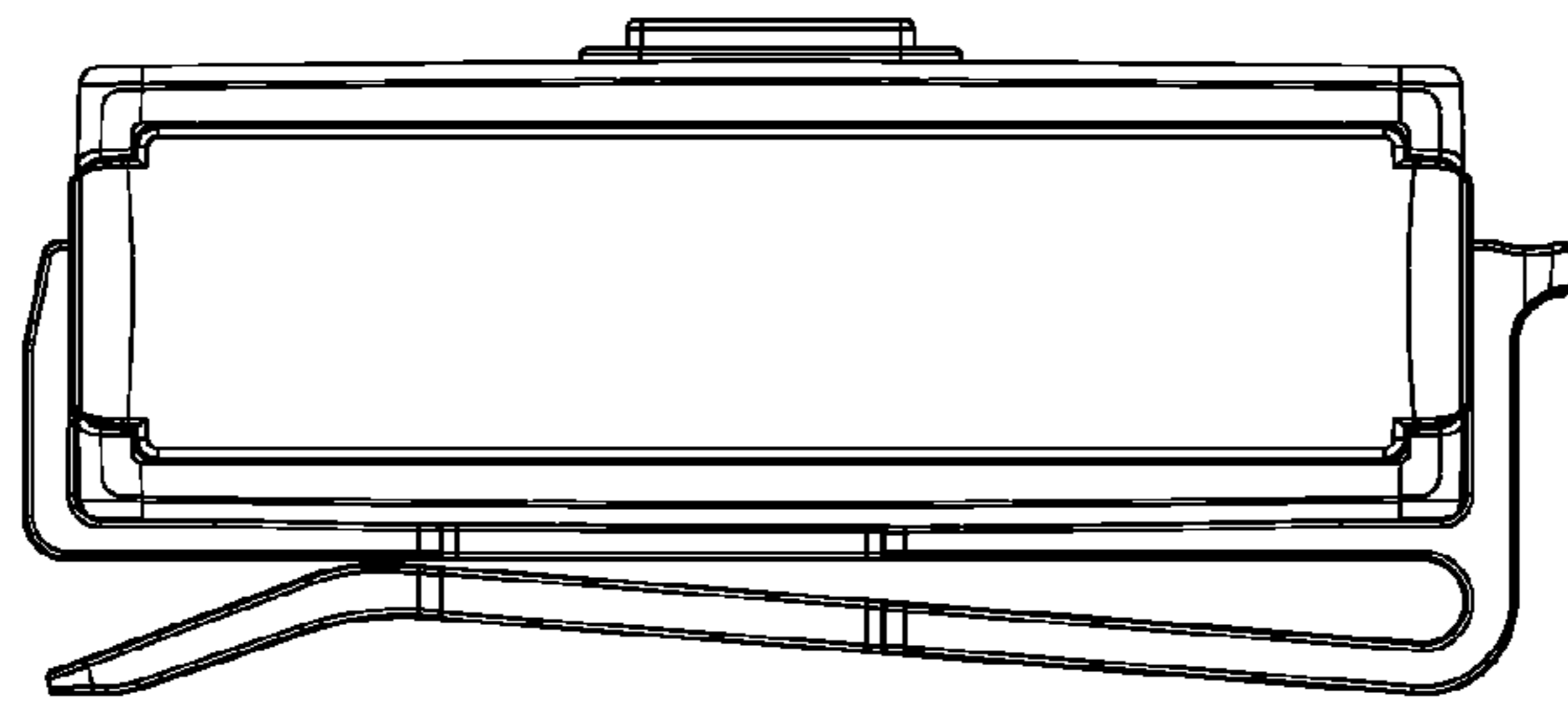


FIG. 7

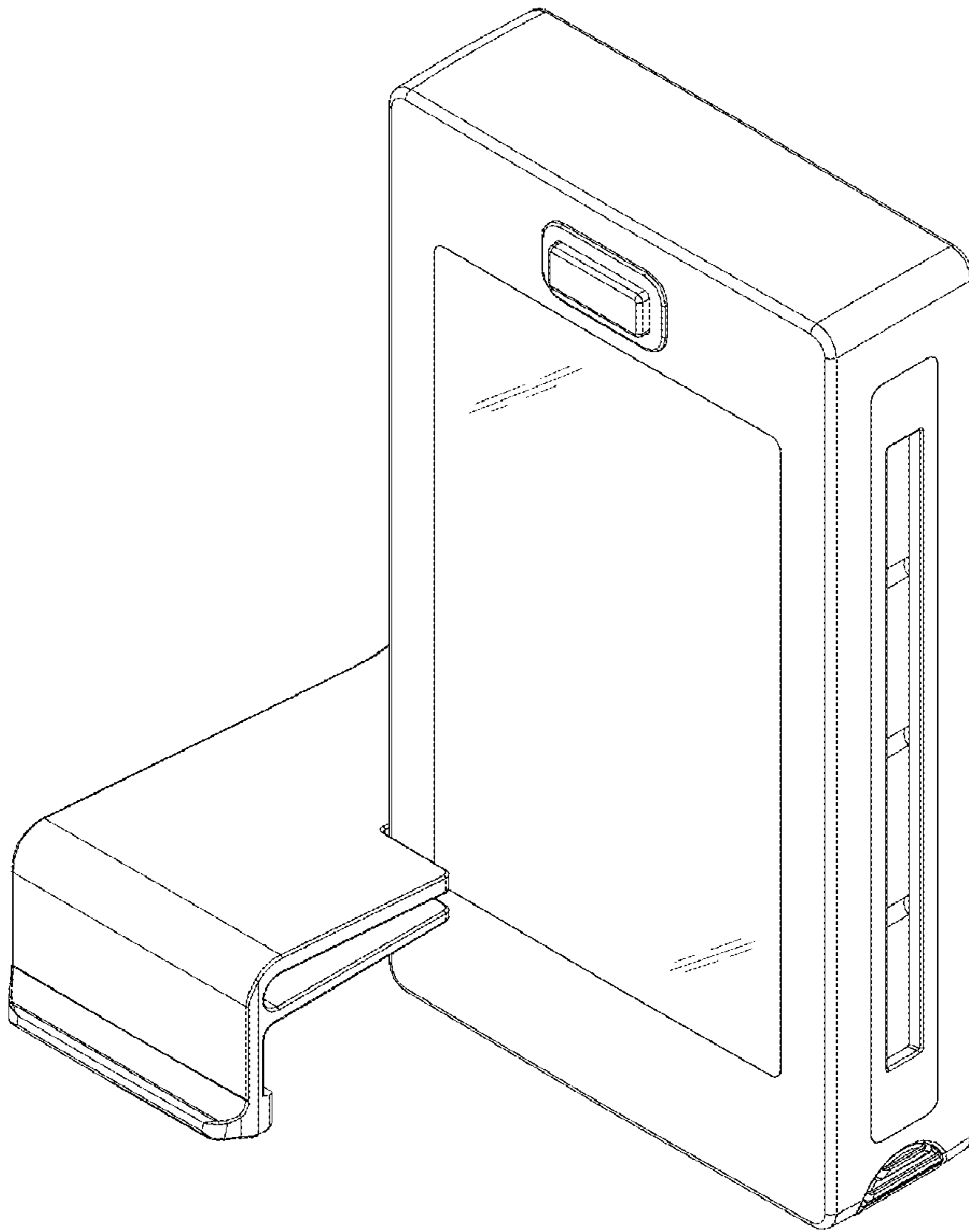


FIG. 8