

US00D668039S

(12) **United States Design Patent**
Graham et al.

(10) **Patent No.:** **US D668,039 S**

(45) **Date of Patent:** **** Oct. 2, 2012**

(54) **ATTACHABLE PORTABLE CARRYING CASE**

(76) Inventors: **Andrea Ledegang Graham**, Duluth, GA (US); **Karen Ledegang Mucciaccio**, Duluth, GA (US)

(**) Term: **14 Years**

(21) Appl. No.: **29/372,554**

(22) Filed: **Dec. 6, 2010**

(51) **LOC (9) Cl.** **03-01**

(52) **U.S. Cl.** **D3/226; D3/218**

(58) **Field of Classification Search** D3/215, D3/218, 224-226, 232-239, 219; 224/257-258, 224/600, 254-255, 250, 623, 682-683; 379/455-447, 449-455; 455/575.1-575.8

See application file for complete search history.

(56) **References Cited**

U.S. PATENT DOCUMENTS

D302,075 S * 7/1989 Burger D3/218
(Continued)

Primary Examiner — Catheri Oliver

(74) *Attorney, Agent, or Firm* — Sonya C. Harris; Invention Services

(57) **CLAIM**

The ornamental design for an attachable portable carrying case, as shown and described.

DESCRIPTION

FIG. 1 is a front elevational view of our design;
FIG. 2 is a left side elevational view of our design;
FIG. 3 is a right side elevational view of our design;
FIG. 4 is a rear elevational view of our design;
FIG. 5 is a front elevational view of our design in an opened configuration with the zipper unfastened;
FIG. 6 is a front elevational view of our design in an opened configuration with the zipper unfastened;

FIG. 7 is a front, top, left perspective view of our design, the broken lines depicting exemplary headphones, extending through cord ports of our design, as environmental structure are for illustrative purposes only and form no part of the claimed design;

FIG. 8 is a rear, top, right perspective view of our design, the broken lines depicting exemplary headphones, extending through cord ports of our design as environmental structure, are for illustrative purposes only and form no part of the claimed design;

FIG. 9 is a top perspective view of our design in an unzipped and opened configuration of our design, the broken lines, depicting an exemplary container strapped within our design as environmental structure, are for illustrative purposes only and form no part of the claimed design;

FIG. 10 is a front elevational view of our design with an arm band attaching means threaded through the rear slots thereof; FIG. 11 is a rear elevational view of our design as shown in FIG. 10;

FIG. 12 is a front elevational view of our design with a leg band attaching means threaded through the rear slots thereof; FIG. 13 is a rear elevational view of our design as shown in FIG. 12;

FIG. 14 is a left side elevational view of our design with a clip attaching means extending through a rear slot thereof;

FIG. 15 is a rear elevational view of FIG. 14;

FIG. 16 is a left side view of the clip of FIG. 14;

FIG. 17 is a front elevational view of the clip of FIG. 14;

FIG. 18 is a rear elevational view of our design with an adhesive patch as attaching means adhered to the rear thereof;

FIG. 19 is a rear elevational view of our design of FIG. 18 with the adhesive patch partially removed;

FIG. 20 is a front elevational view of the adhesive patch of FIG. 18;

FIG. 21 is front top right exploded perspective view of the removable layers of the adhesive patch of 18;

FIG. 22 is a rear elevational view of our design with a long strap as attaching means threaded through the rear slots thereof;

FIG. 23 is a rear elevational view of another embodiment of our design with a long strap attached thereto;

FIG. 24 is a front elevational perspective view of another embodiment of our design with a short strap attached thereto and showing alternate indicia; and,

FIG. 25 is a rear elevational perspective view of FIG. 24.

The broken line showing of environment in the drawings is for illustrative purposes only and forms no part of the claimed design.

1 Claim, 9 Drawing Sheets



US D668,039 S

Page 2

U.S. PATENT DOCUMENTS

5,398,855	A	*	3/1995	Schaiewitz	224/257	D616,197	S	*	5/2010	Fuccella	D3/218
6,123,240	A	*	9/2000	Fowles et al.	224/600	D629,192	S	*	12/2010	Pueblo	D3/218
D536,868	S	*	2/2007	Jackson	D3/218	D631,650	S	*	2/2011	Li	D3/218
D585,640	S	*	2/2009	Case	D3/218						

* cited by examiner

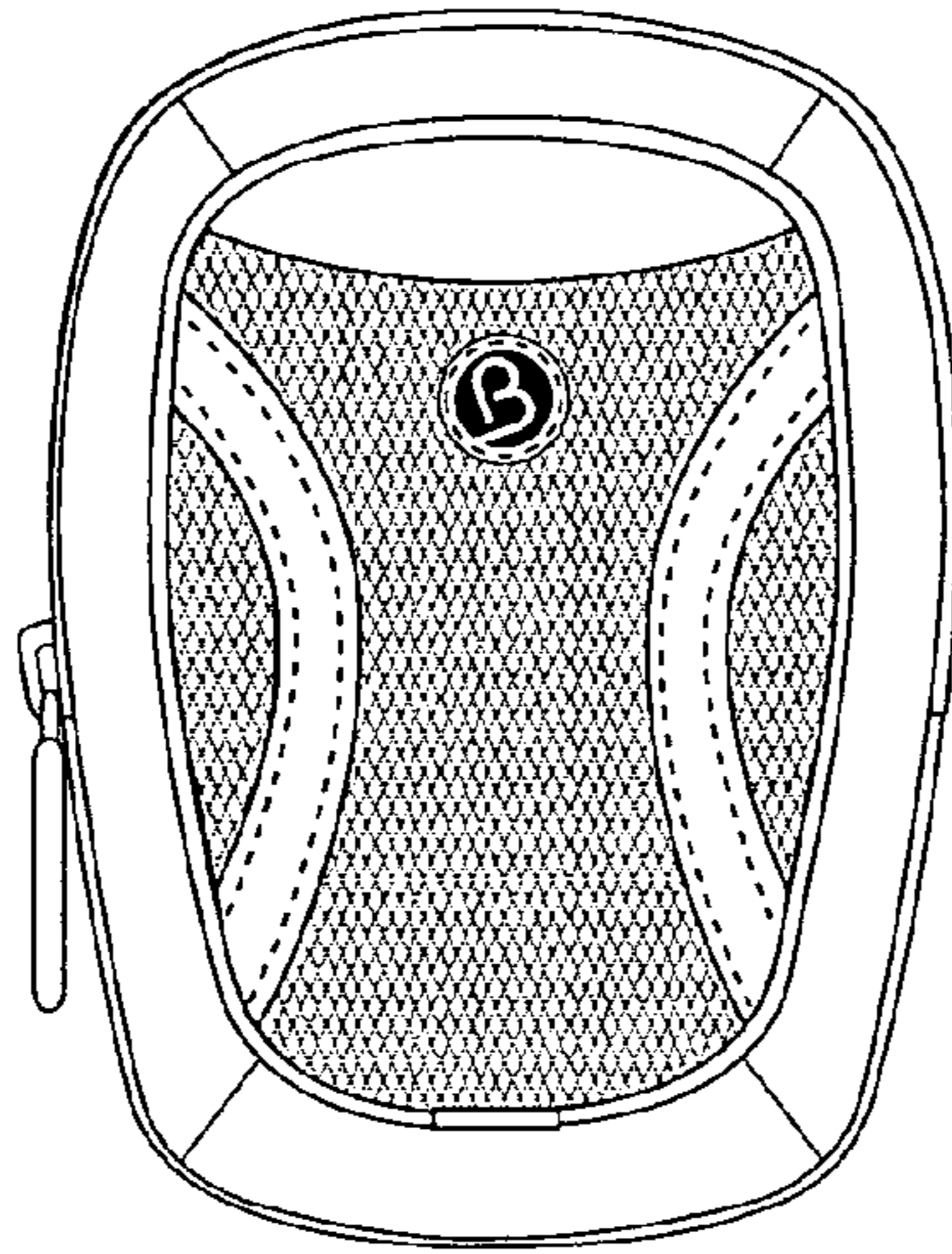


FIG. 1

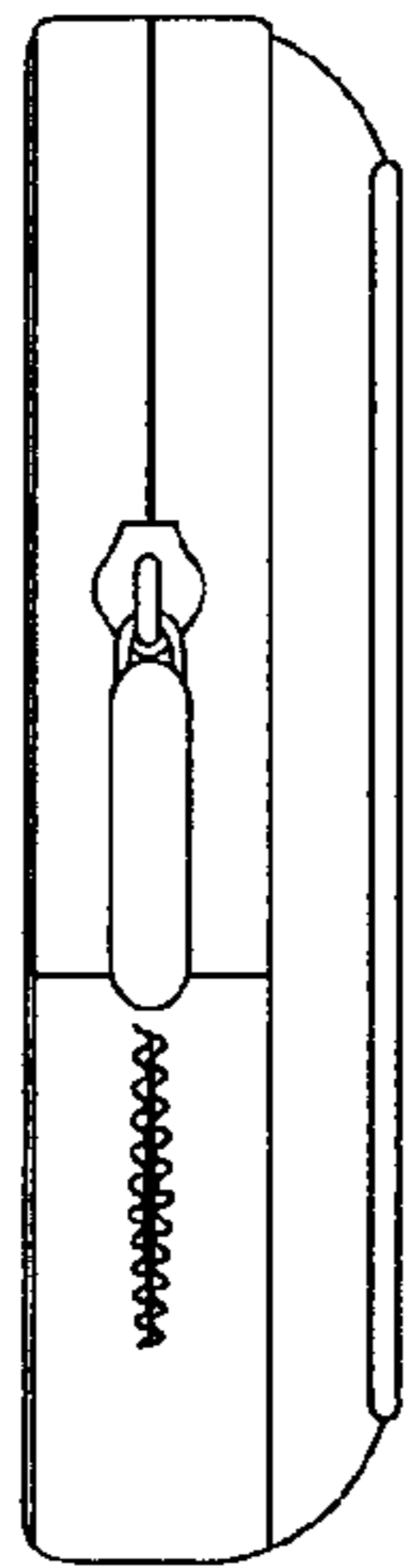


FIG. 2

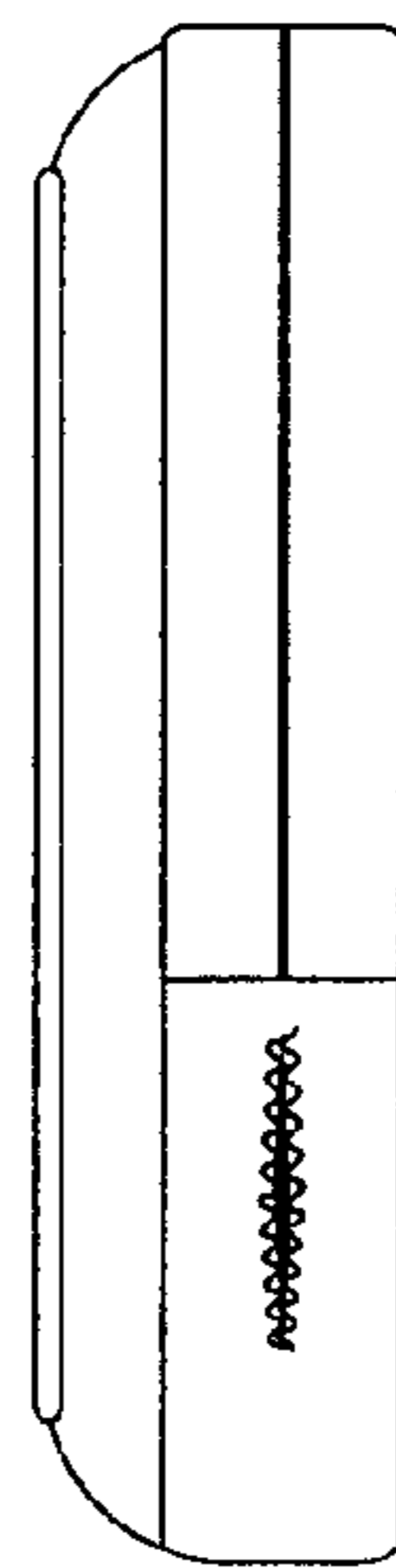


FIG. 3

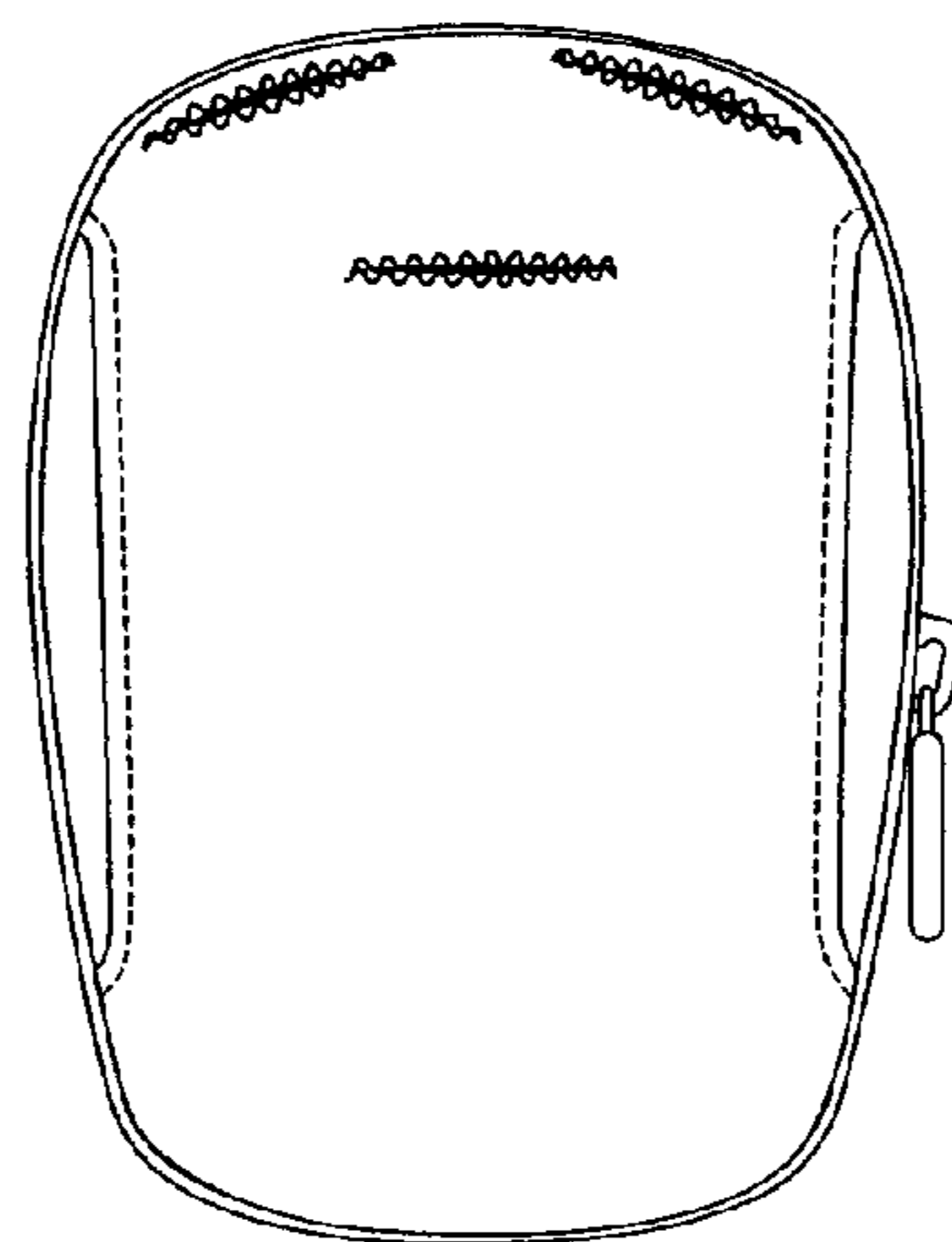


FIG. 4

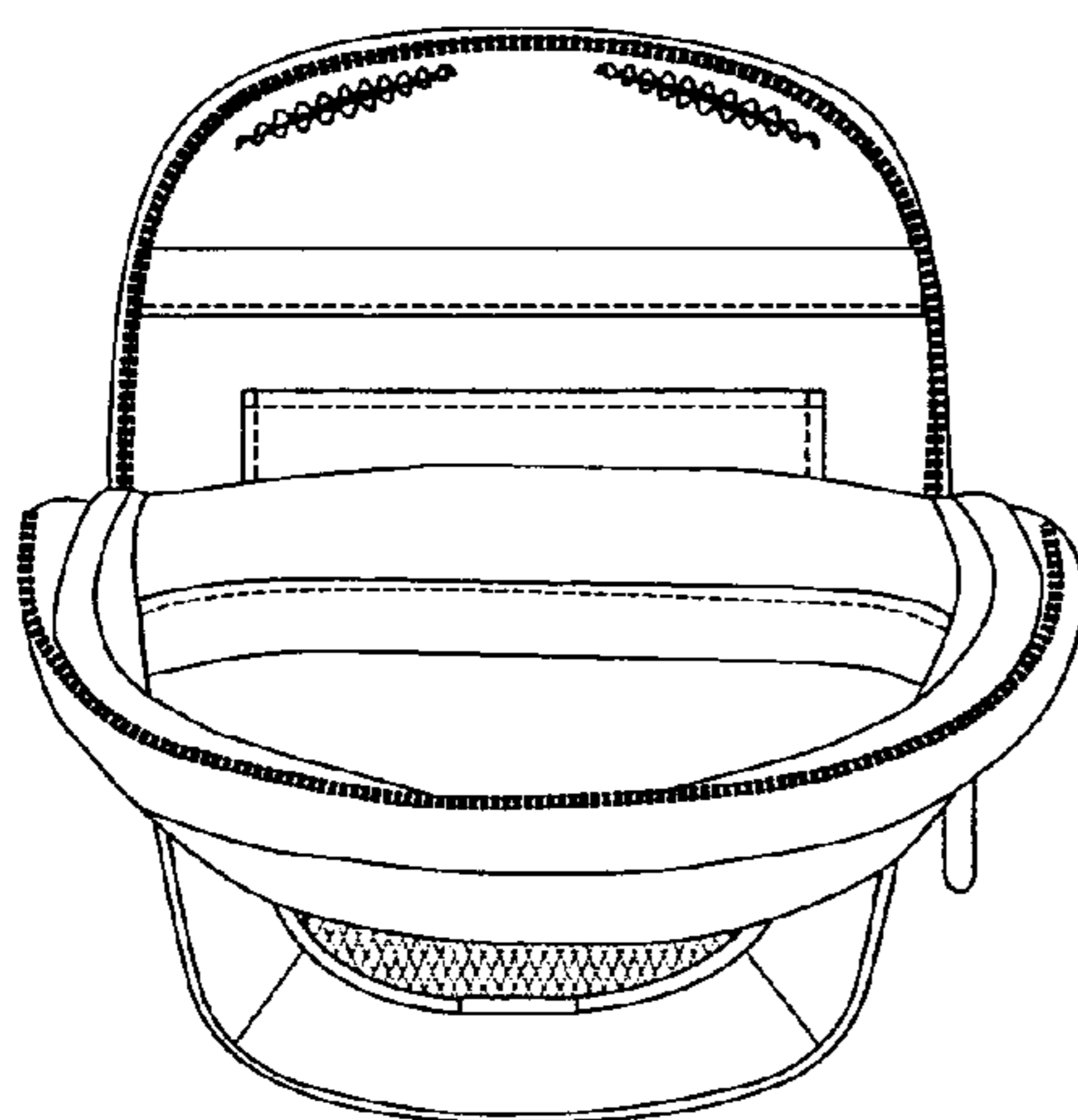


FIG. 5

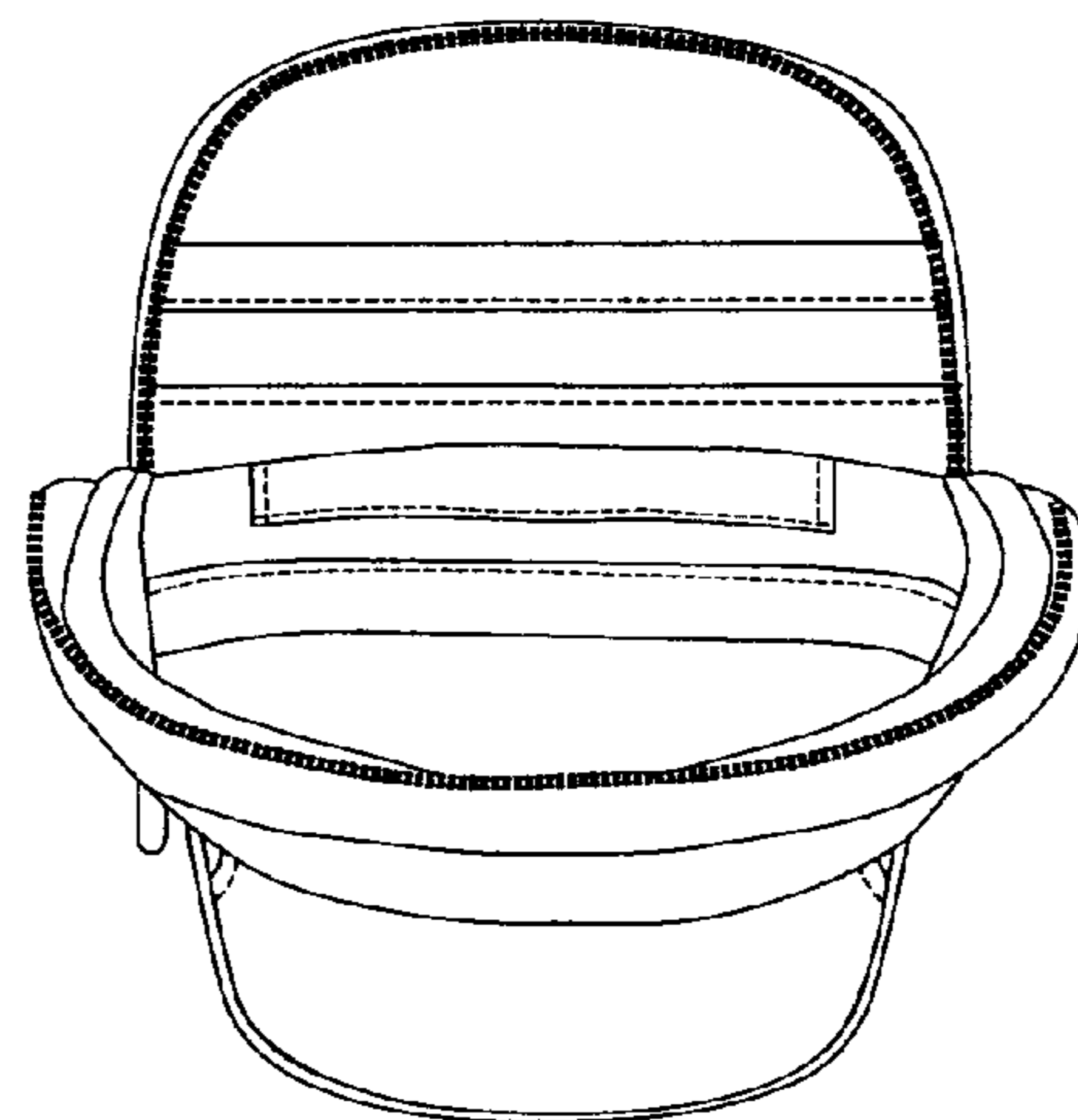


FIG. 6

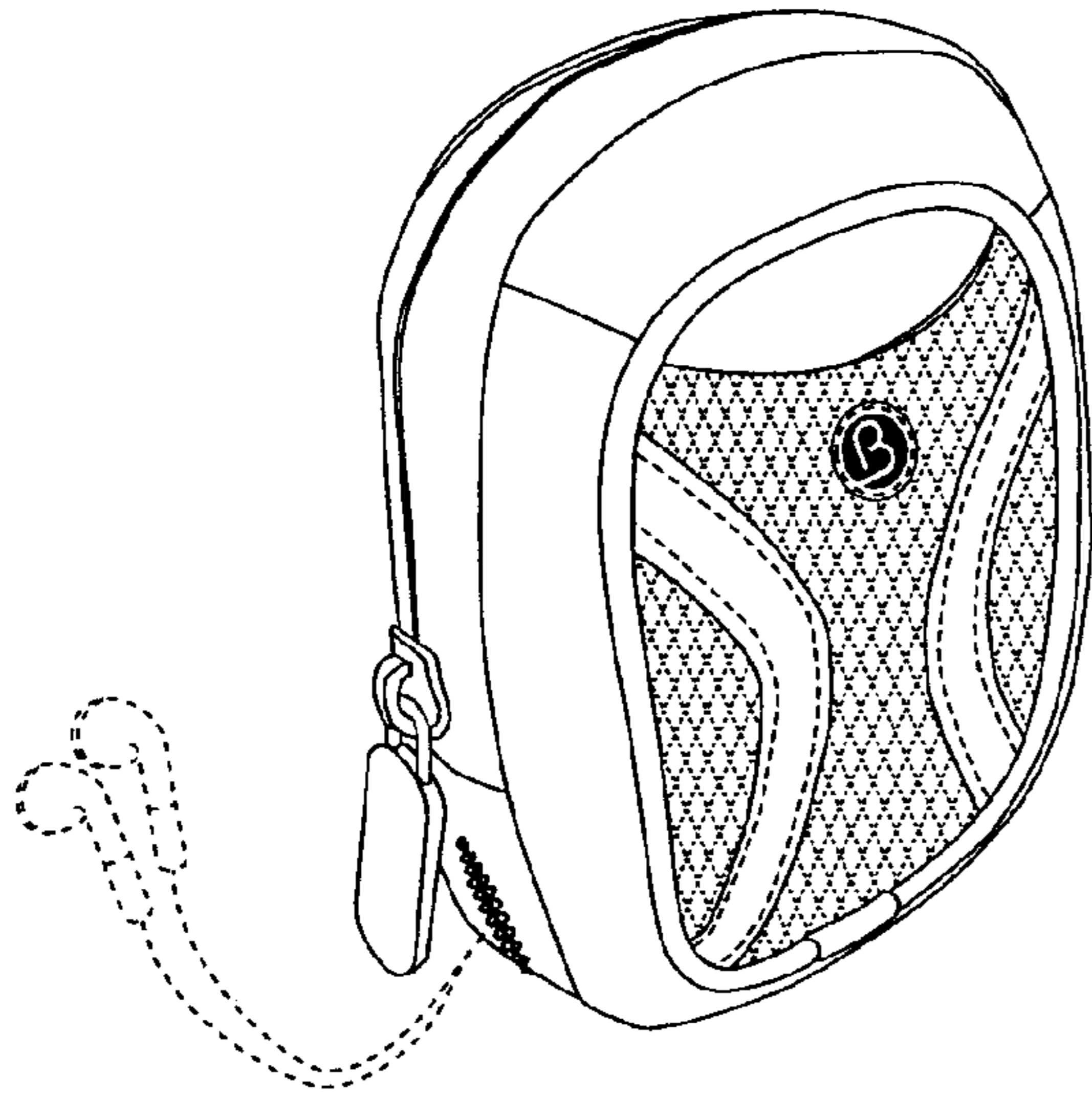


FIG. 7

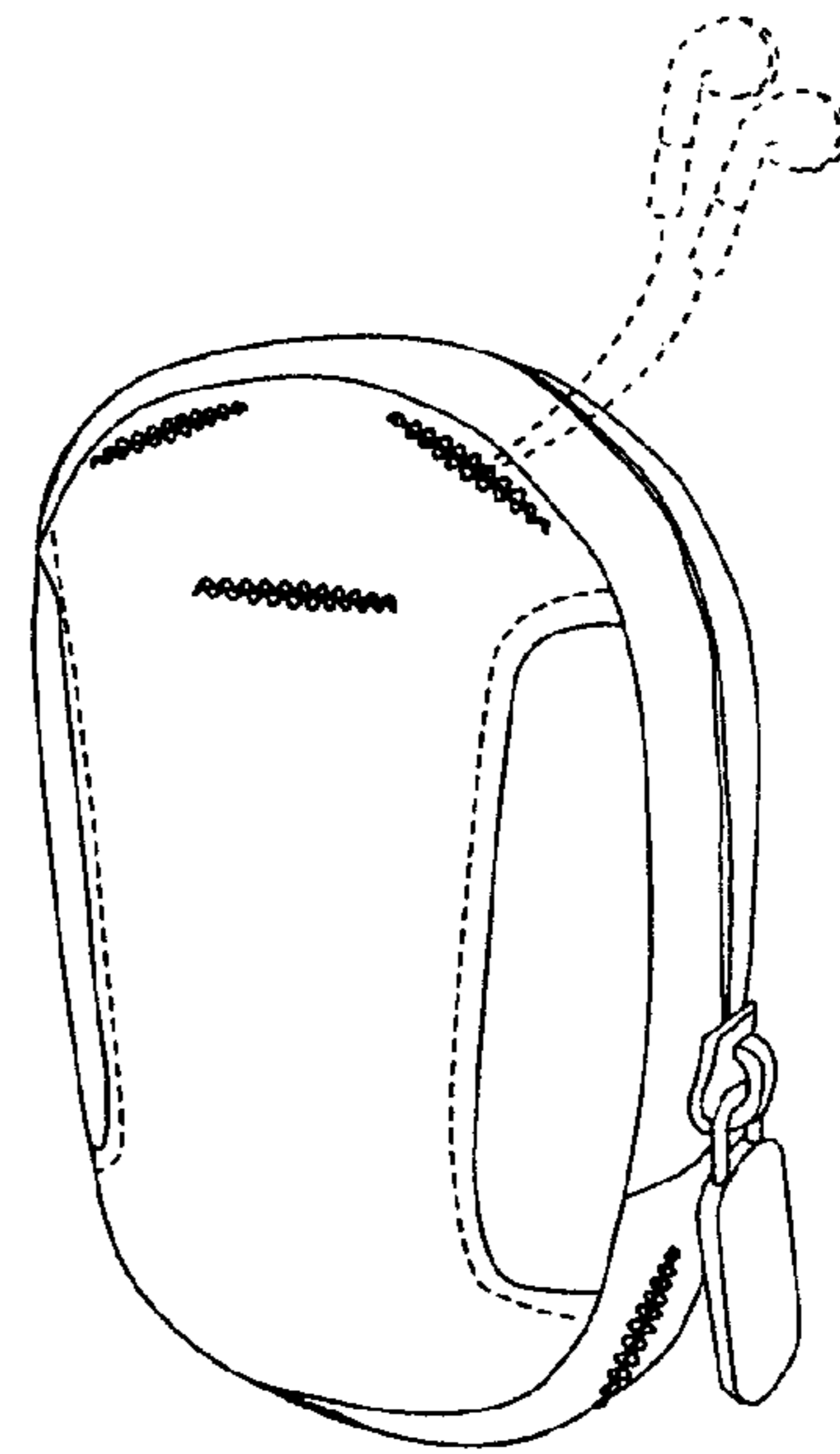


FIG. 8

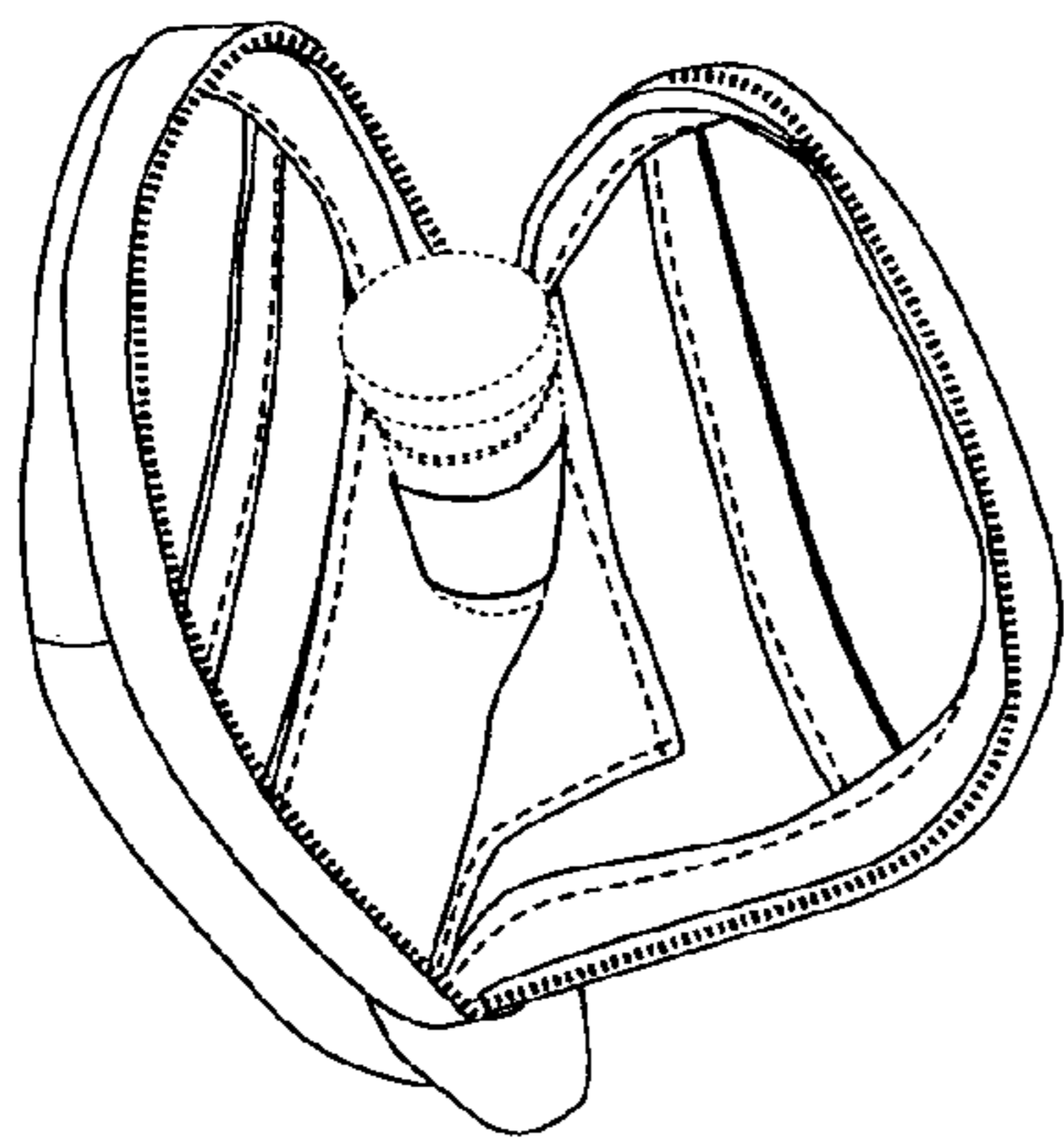


FIG. 9

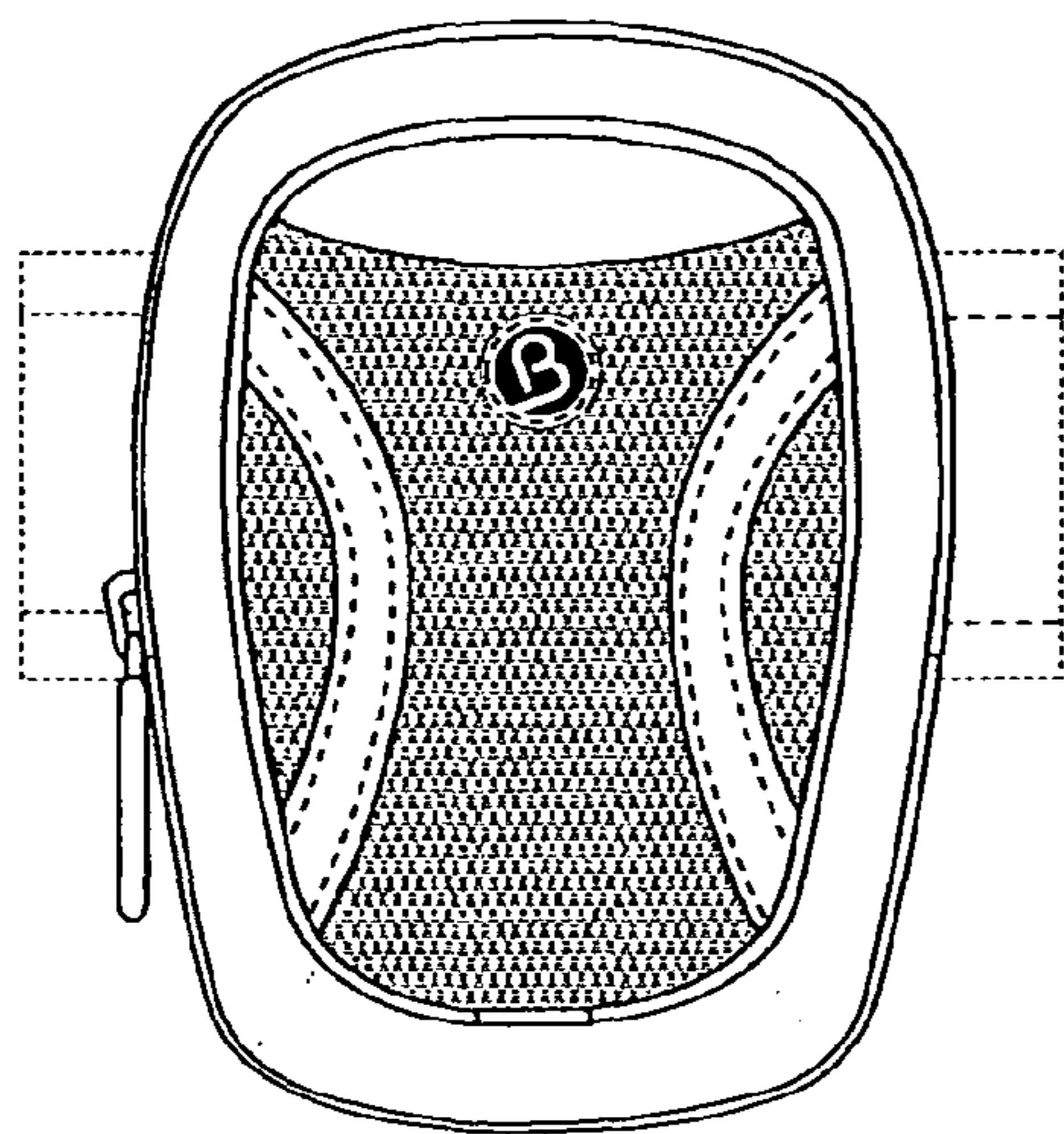


FIG. 10

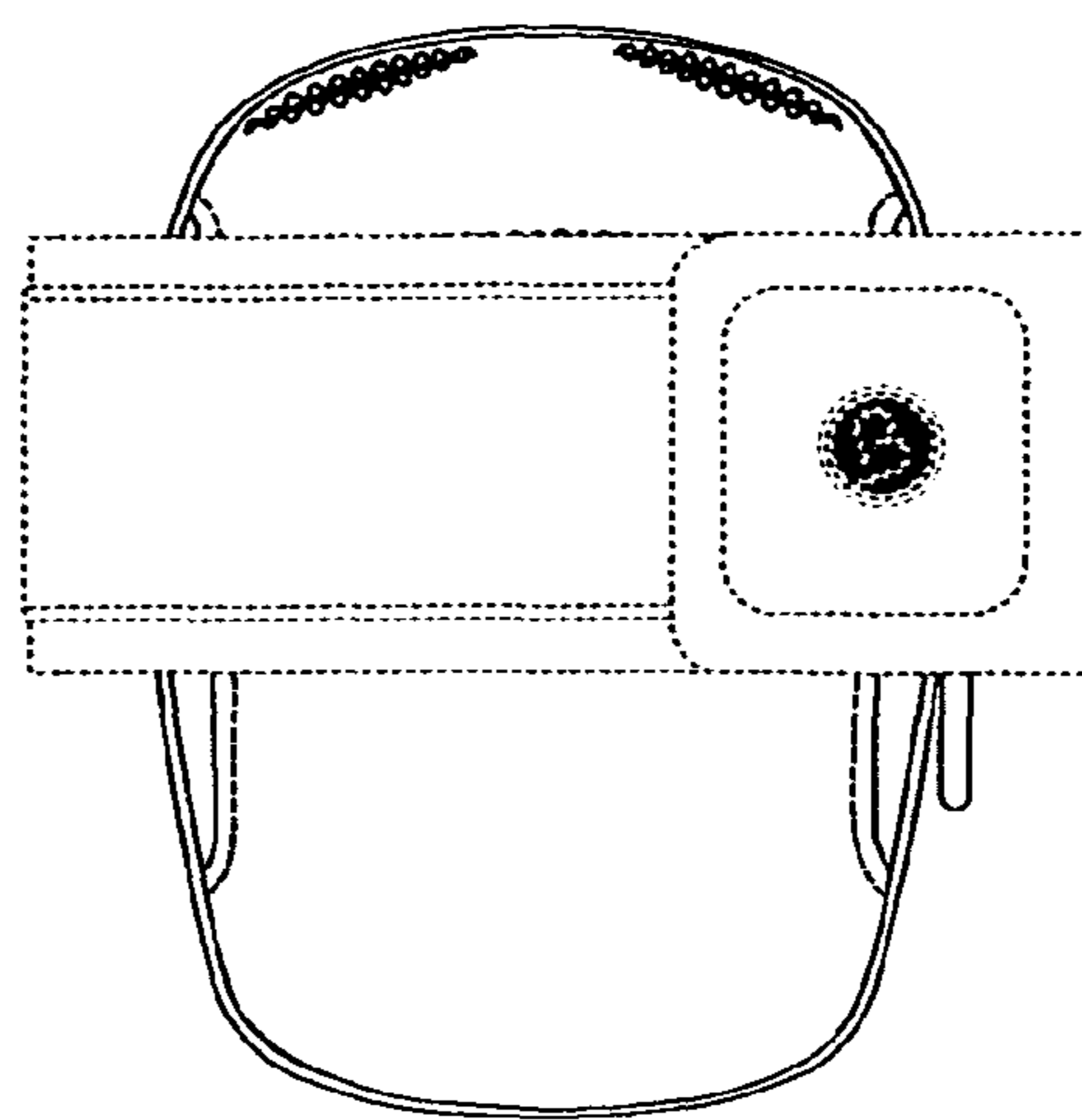


FIG. 11

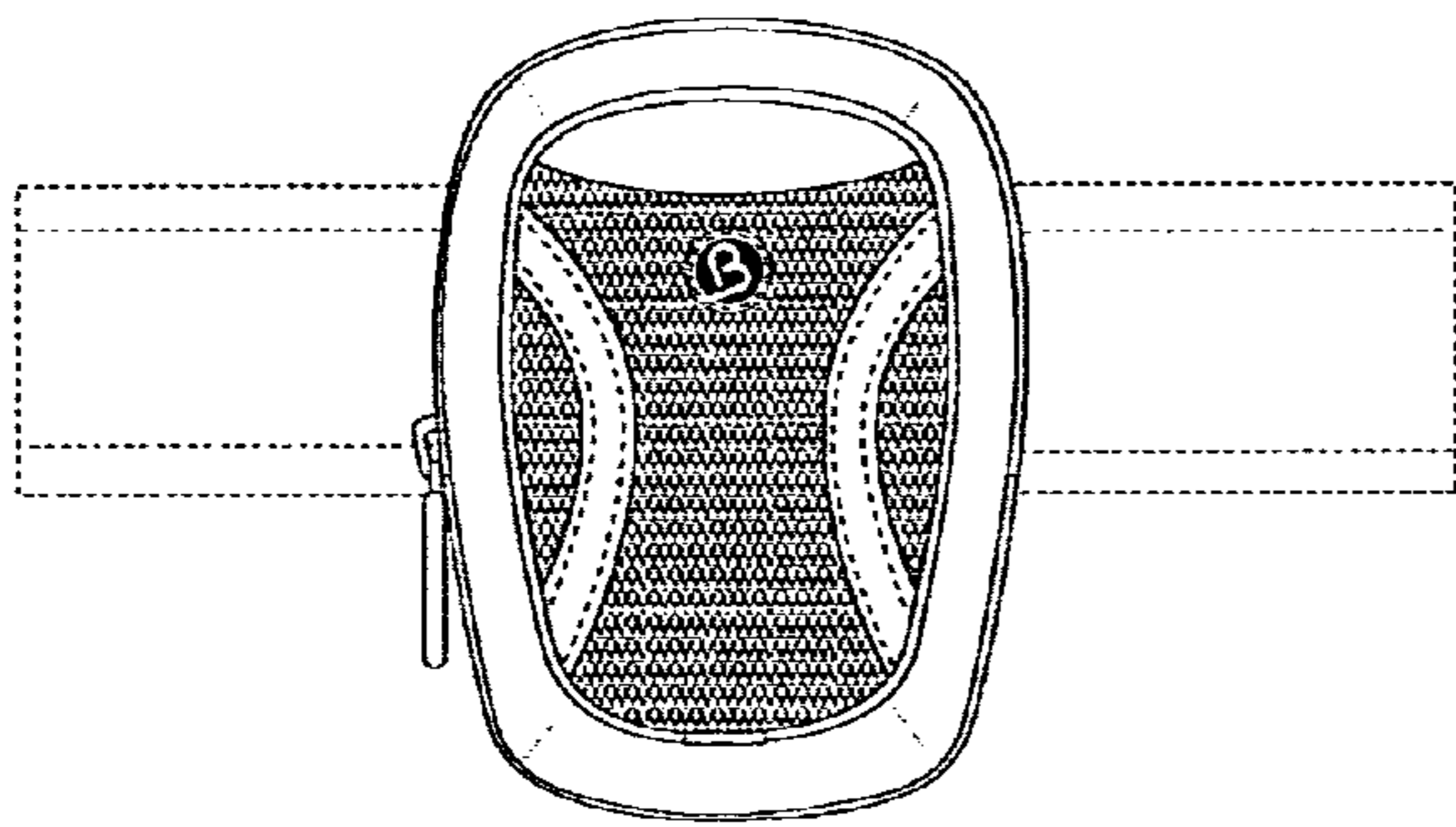


FIG. 12

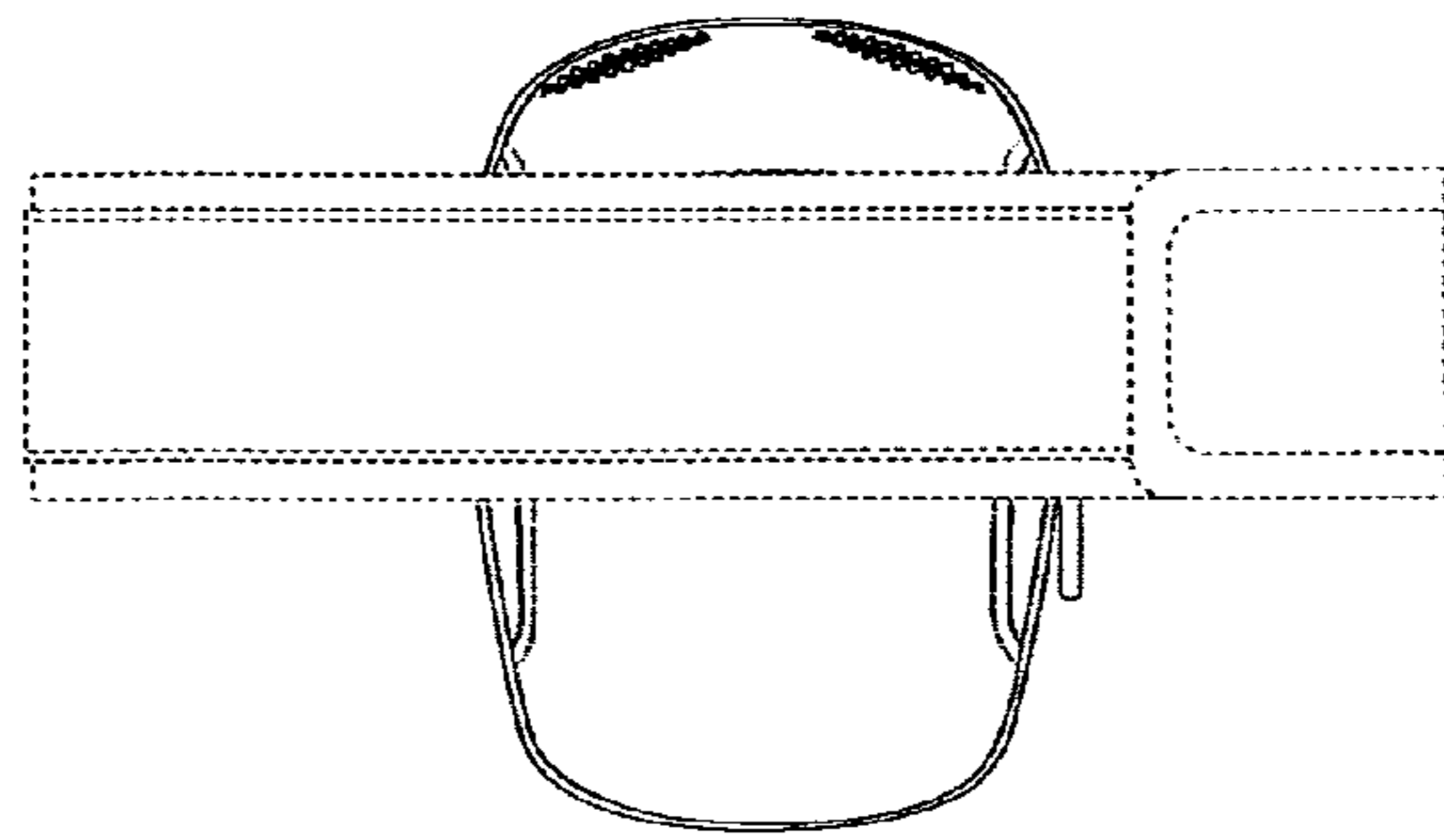


FIG. 13

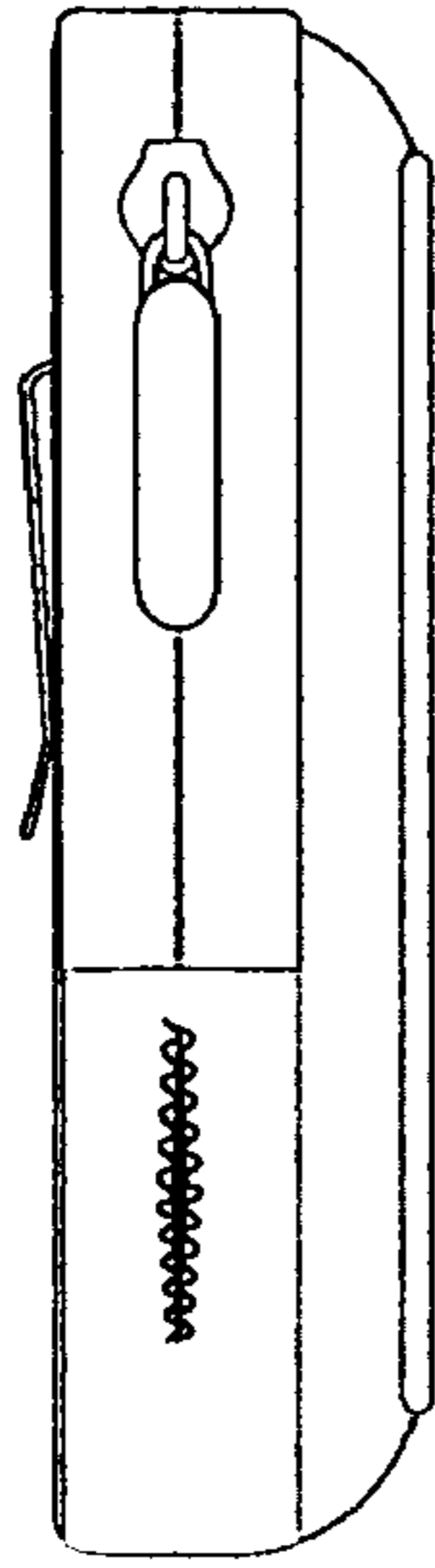


FIG. 14

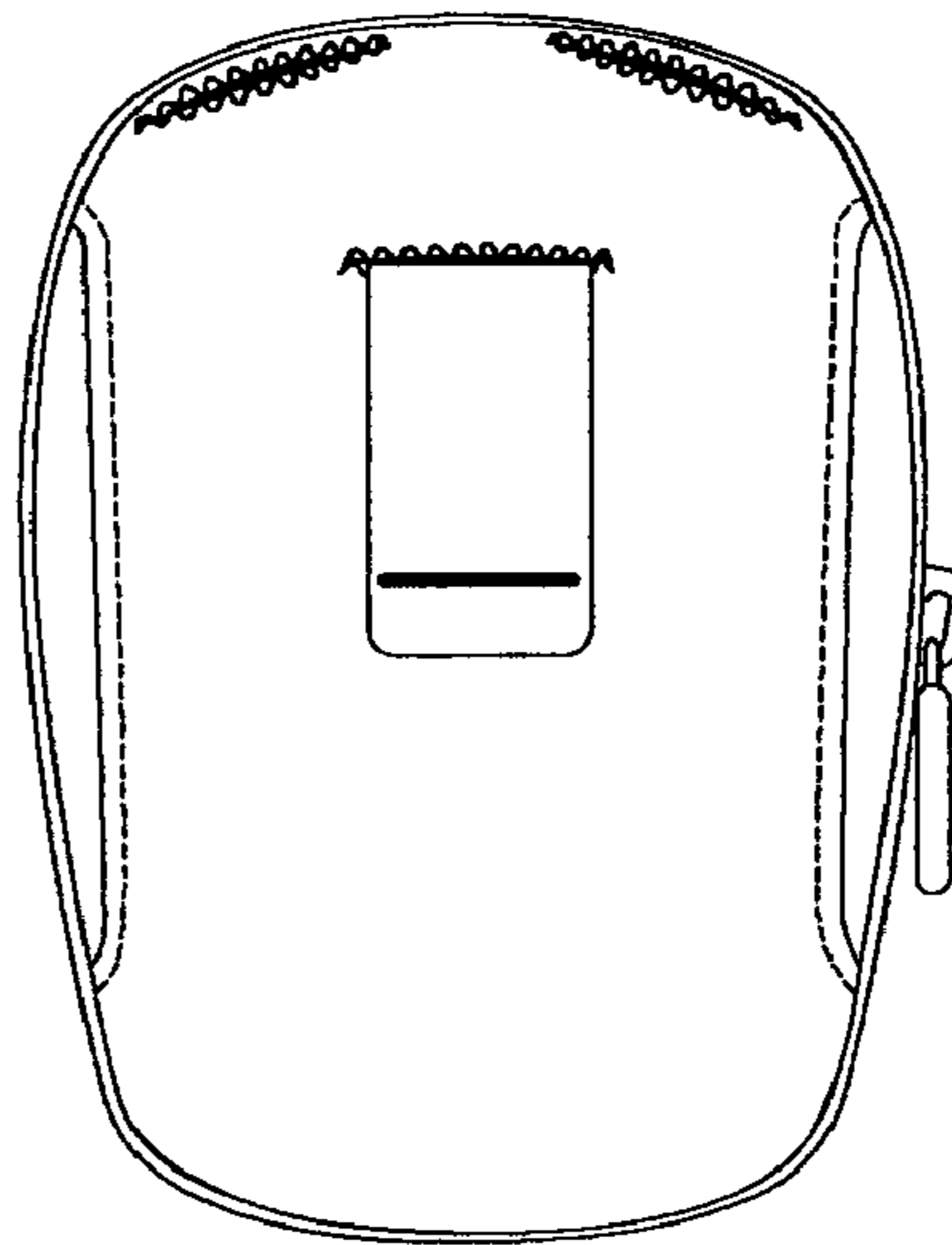


FIG. 15



FIG. 16

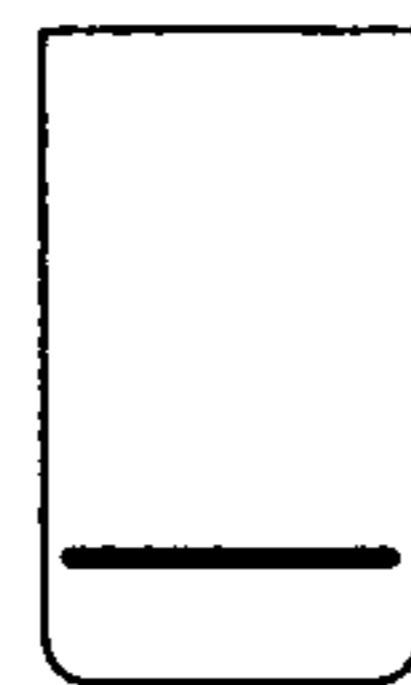


FIG. 17

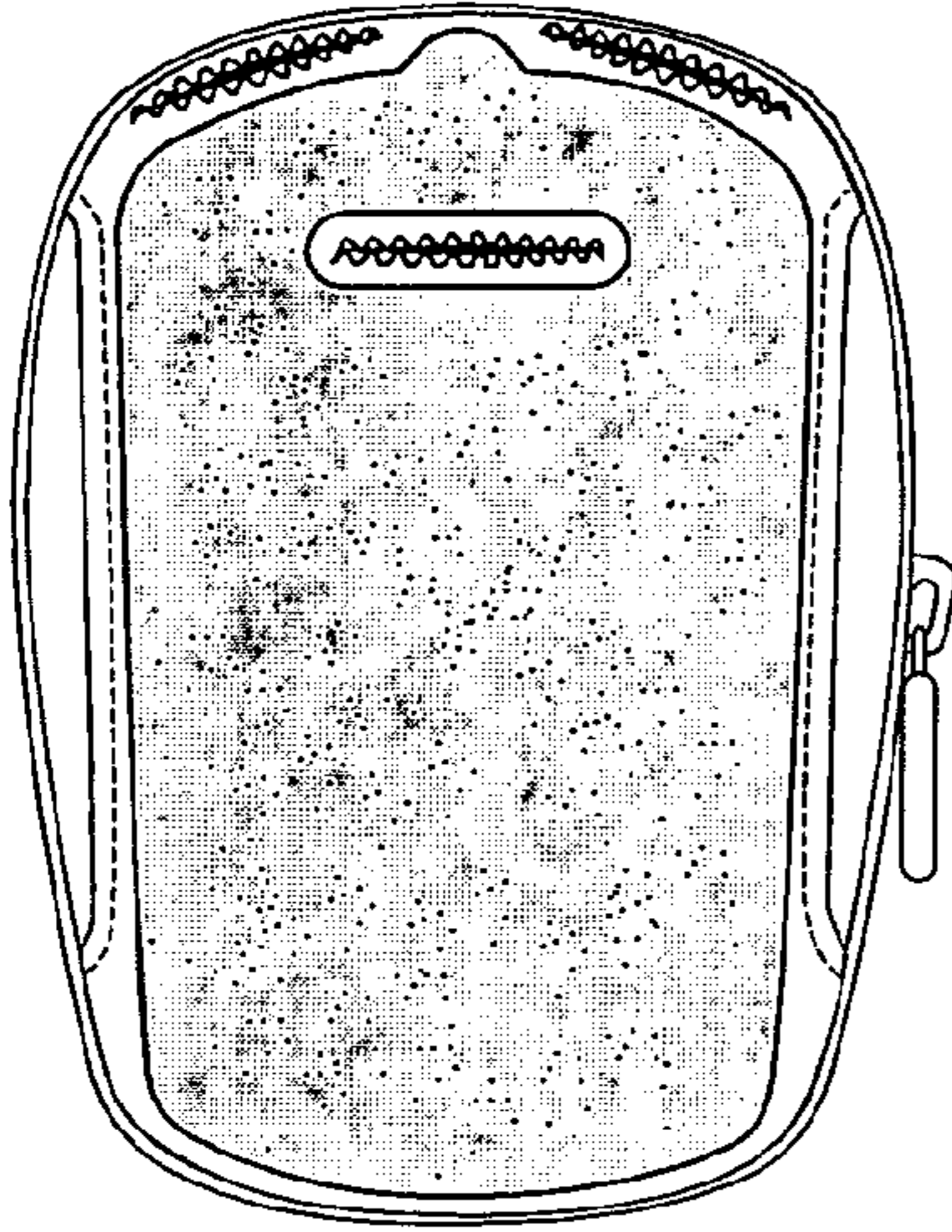


FIG. 18

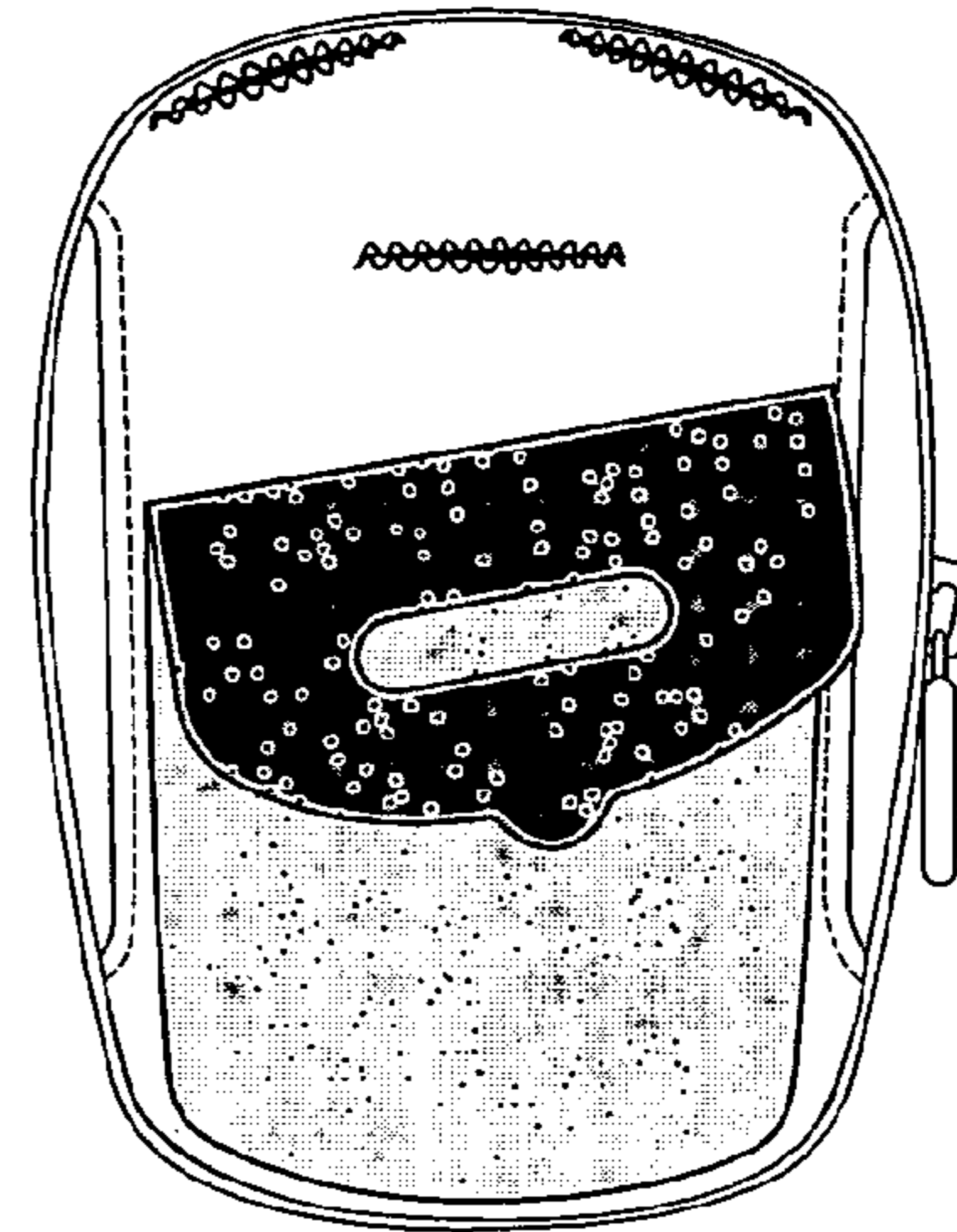


FIG. 19

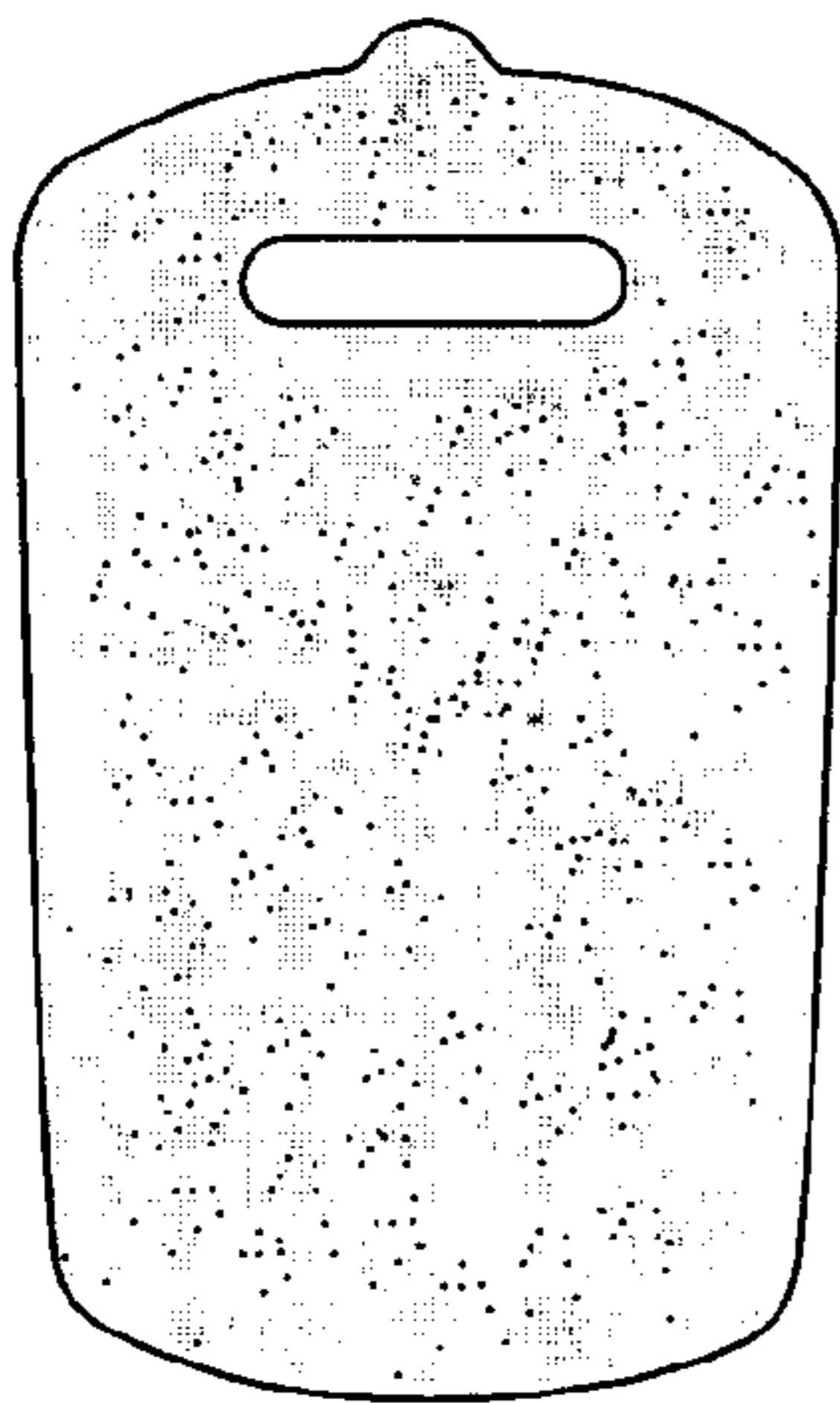


FIG. 20

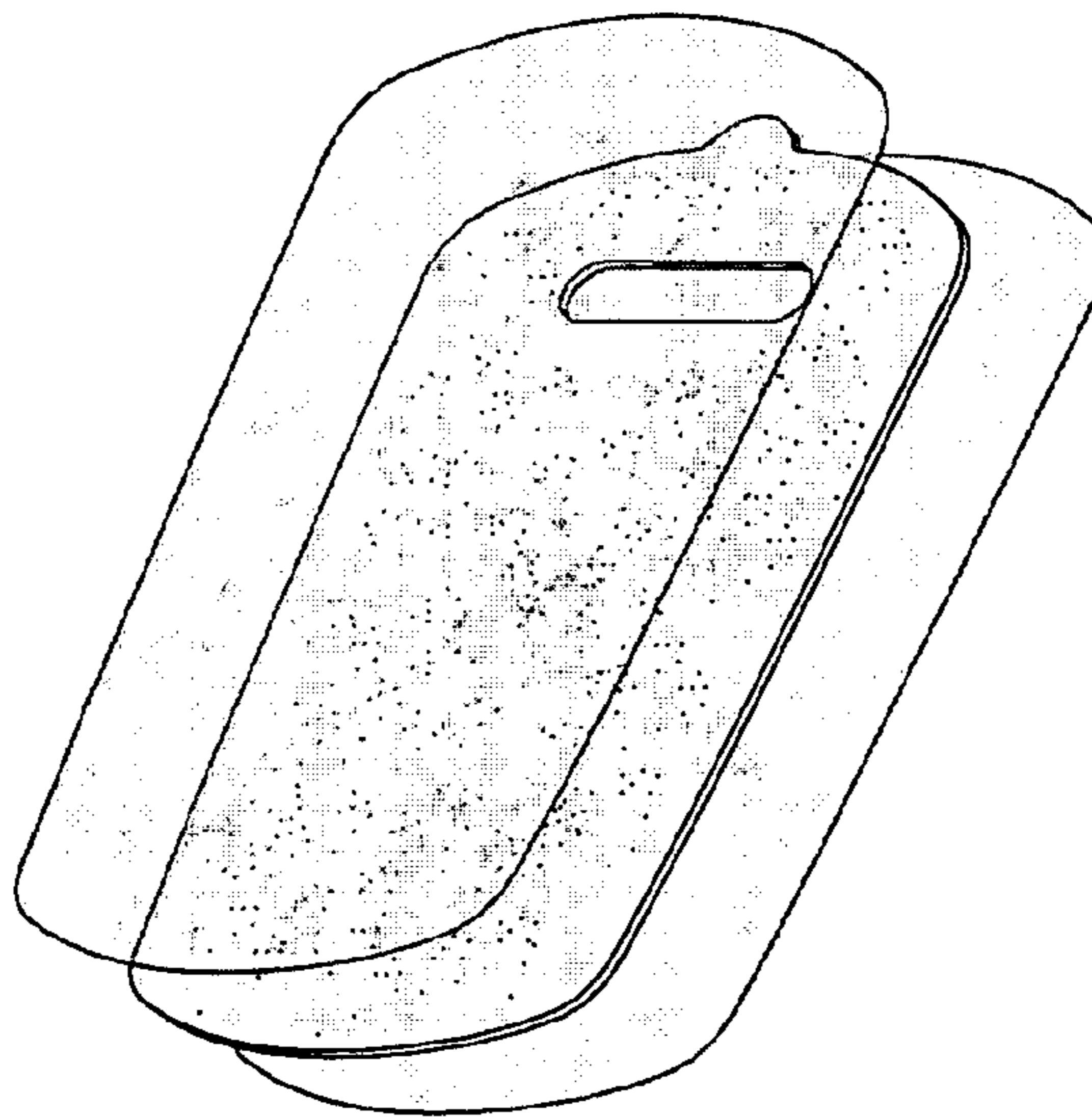


FIG. 21

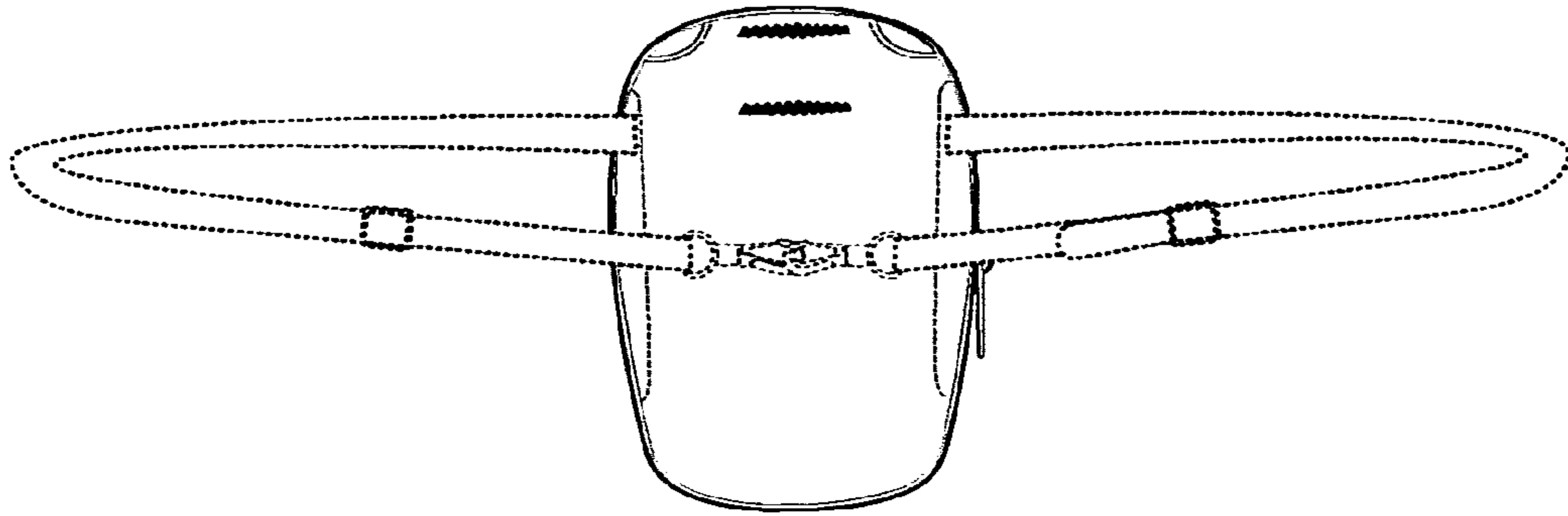


FIG. 22

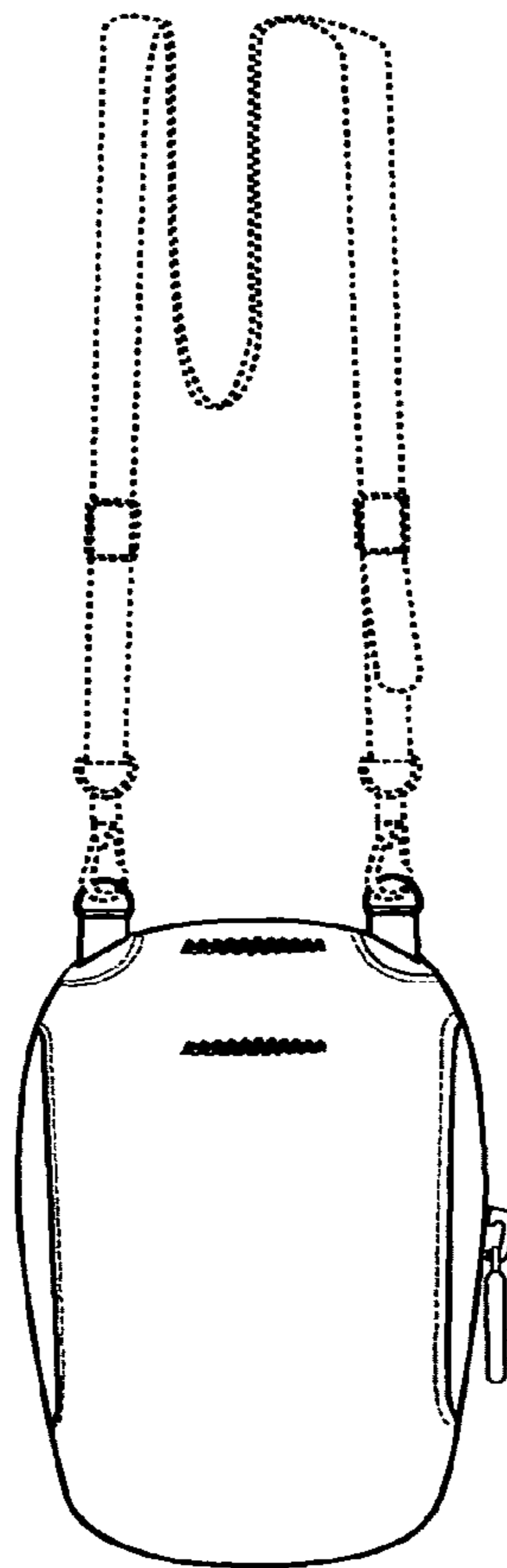


FIG. 23



FIG. 24

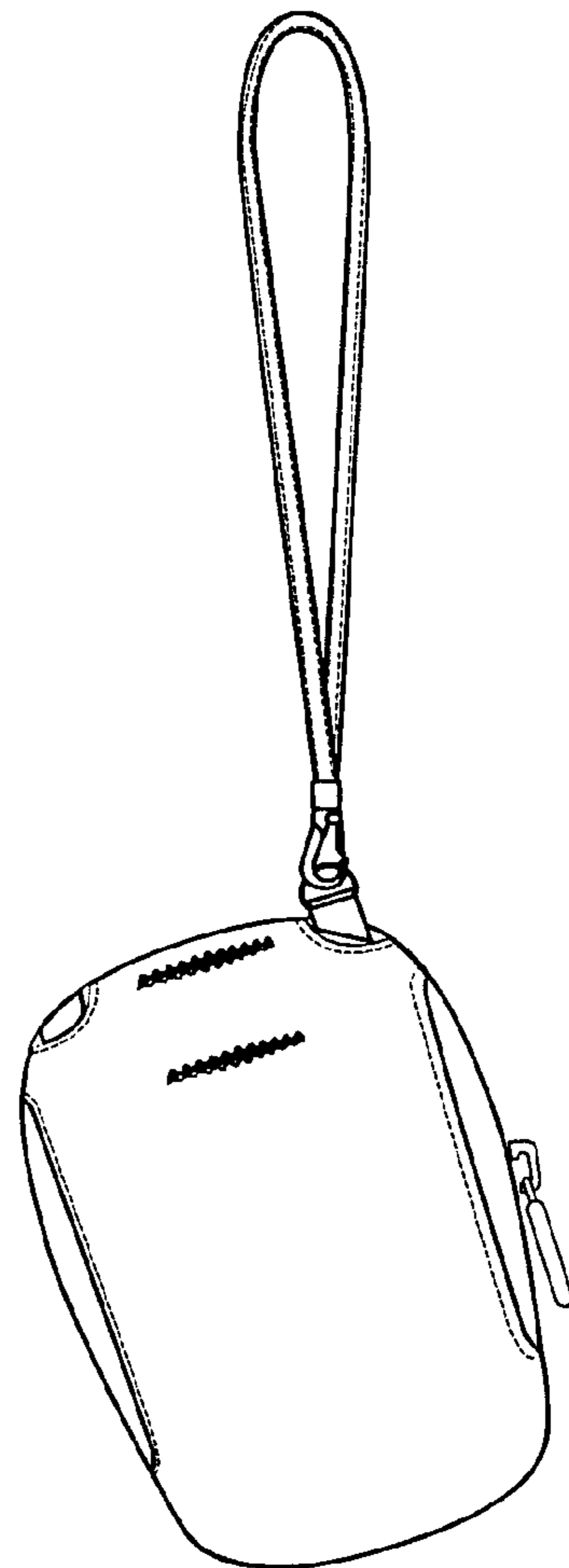


FIG. 25