



US00D668038S

(12) **United States Design Patent**  
**Danforth, Jr. et al.**

(10) **Patent No.:** **US D668,038 S**  
(45) **Date of Patent:** **\*\* Oct. 2, 2012**

(54) **CONNECTION DEVICE FOR HOLDING AN OBJECT, SUCH AS A KEY OR DOG TAG**

(75) Inventors: **Douglas D. Danforth, Jr.**, Prairie Village, KS (US); **Warren V. Moore**, Lenexa, KS (US); **David R. Peck**, Olathe, KS (US); **Dale W. Sass**, Gardner, KS (US)

(73) Assignee: **AHA LLC**, Lenexa, KS (US)

(\*\*) Term: **14 Years**

(21) Appl. No.: **29/407,871**

(22) Filed: **Dec. 2, 2011**

(51) **LOC (9) Cl.** ..... **03-01**

(52) **U.S. Cl.** ..... **D3/208**

(58) **Field of Classification Search** ..... D11/48, D11/49, 53, 54, 55, 99, 100–102; 63/26–28, 63/32; D3/207–212; D8/16, 38, 347, 348; 70/456 B, 457, 458; 206/37.1; D21/576, D21/593, 594, 606, 609, 610, 611, 659, 660  
See application file for complete search history.

(56) **References Cited**

**U.S. PATENT DOCUMENTS**

2,232,668	A	2/1941	Schupbach	
2,457,195	A	12/1948	Bagnall	
2,503,211	A	4/1950	Ormsbee	
3,513,675	A	5/1970	Ryder, Jr. et al.	
3,516,272	A *	6/1970	Modrey	70/459
4,077,243	A	3/1978	Tyson	
5,367,896	A	11/1994	Sundberg	
D383,599	S	9/1997	Song	
D383,600	S	9/1997	Song	
D395,355	S *	6/1998	von Freiberg	D3/208
6,763,692	B1	7/2004	Huang	
6,848,287	B1	2/2005	Huang	
D539,029	S *	3/2007	Rich	D3/207
2009/0320770	A1	12/2009	Rolain et al.	
2010/0031476	A1	2/2010	Coldiron	

**FOREIGN PATENT DOCUMENTS**

JP 2000262311 A 9/2000

**OTHER PUBLICATIONS**

Printout from Aspen Pet Brand website (www.aspenpet.com) of “Tagnabbit” tag ring (printed Jul. 30, 2010).  
Product Packaging for “Tagabiner” pet tag holder (Publicly available at least as early as Apr. 6, 2010).

\* cited by examiner

*Primary Examiner* — Ralf Seifert

(74) *Attorney, Agent, or Firm* — Hovey Williams LLP

(57) **CLAIM**

The ornamental design for a connection device for holding an object, such as a key or dog tag, as shown and described.

**DESCRIPTION**

FIG. 1 is a top perspective view of a connection device for holding an object, such as a key or dog tag embodying our design;

FIG. 2 is a bottom perspective view of the connection device as shown in FIG. 1;

FIG. 3 is a plan view of the connection device as shown in FIGS. 1 and 2;

FIG. 4 is a bottom elevation view of the connection device as shown in FIGS. 1-3;

FIG. 5 is a side elevation view of the connection device as shown in FIGS. 1-4, with the opposite side elevation view being a mirror image thereof;

FIG. 6 is an end elevation view of the connection device as shown in FIGS. 1-5;

FIG. 7 is an end elevation view of the connection device opposite that shown in FIG. 6;

FIG. 8 is a top perspective view of the connection device similar to FIG. 1, but with the ring and a number of features of the body being shown in broken lines for illustrative purposes only and forming no part of the claimed design;

FIG. 9 is a bottom perspective view of the connection device as shown in FIG. 8;

FIG. 10 is a plan view of the connection device as shown in FIGS. 8 and 9;

FIG. 11 is a bottom elevation view of the connection device as shown in FIGS. 8-10;

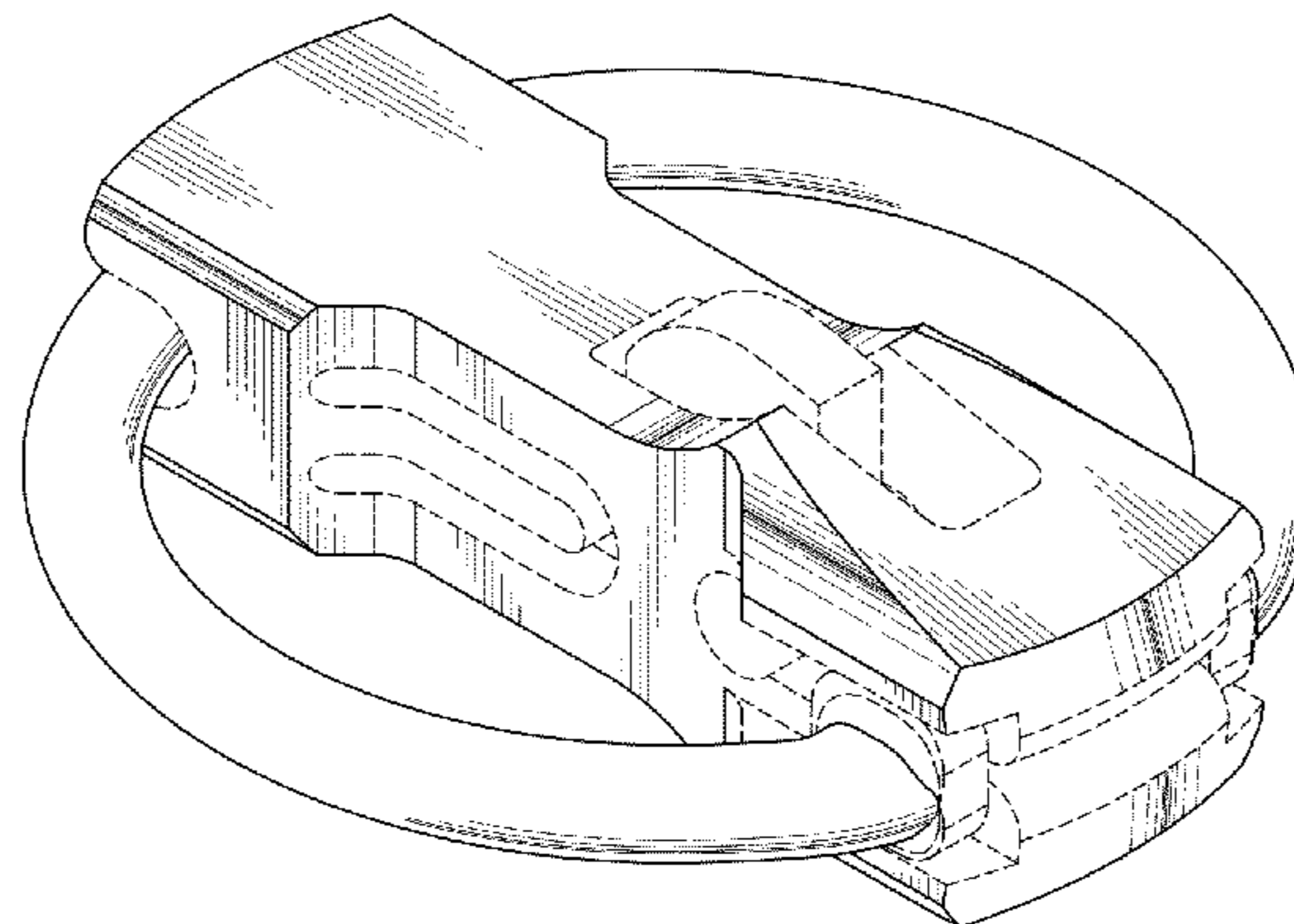


FIG. 12 is a side elevation view of the connection device as shown in FIGS. 8-11, with the opposite side elevation view being a mirror image thereof;

FIG. 13 is an end elevation view of the connection device as shown in FIGS. 8-12;

FIG. 14 is an end elevation view of the connection device opposite that shown in FIG. 13;

FIG. 15 is a top perspective view of the connection device similar to FIG. 1, but with the ring being shown in broken lines for illustrative purposes only and forming no part of the claimed design;

FIG. 16 is a bottom perspective view of the connection device as shown in FIG. 15;

FIG. 17 is a plan view of the connection device as shown in FIGS. 15 and 16;

FIG. 18 is a bottom elevation view of the connection device as shown in FIGS. 15-17;

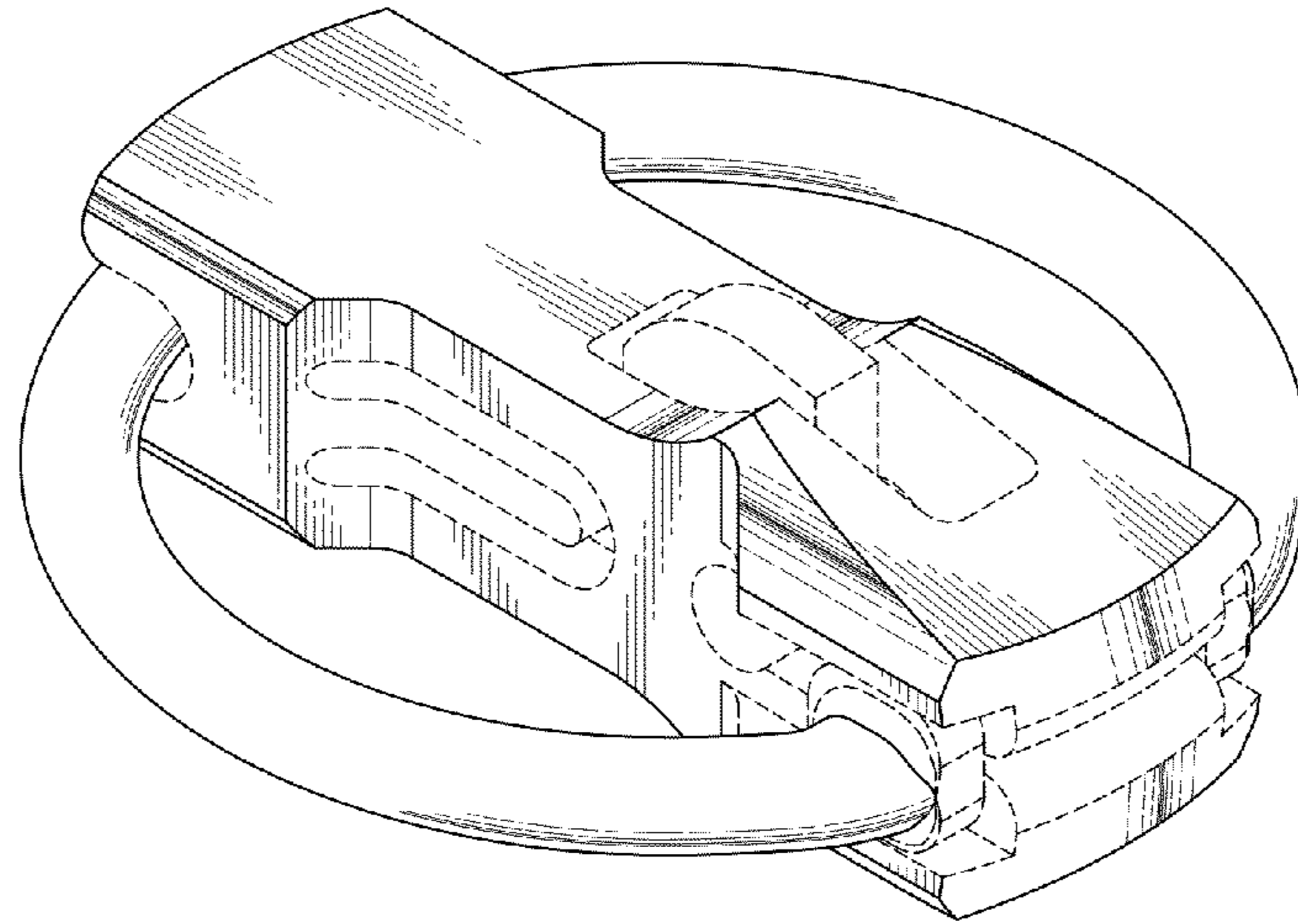
FIG. 19 is a side elevation view of the connection device as shown in FIGS. 15-18, with the opposite side elevation view being a mirror image thereof;

FIG. 20 is an end elevation view of the connection device as shown in FIGS. 15-19; and,

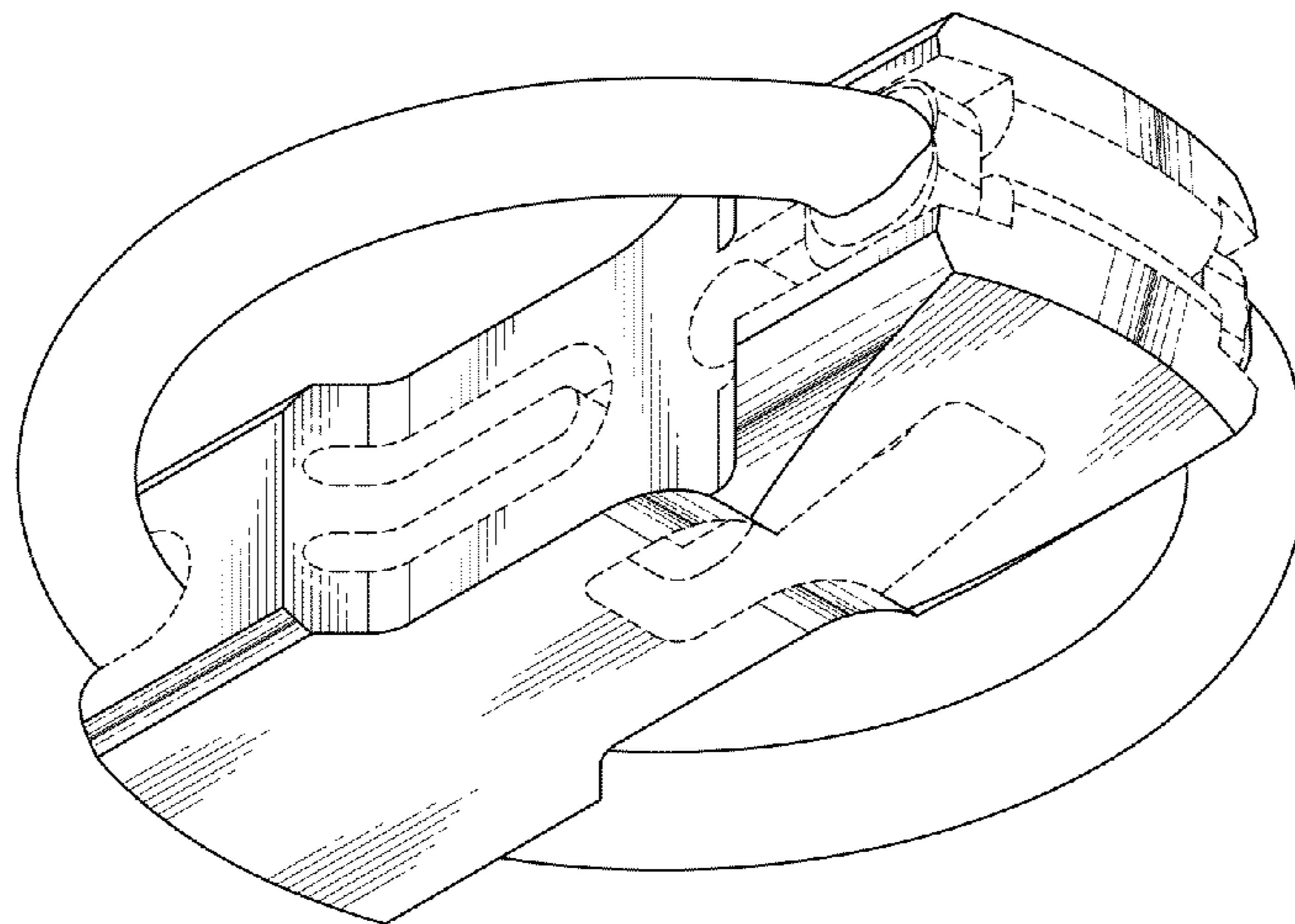
FIG. 21 is an end elevation view of the connection device opposite that shown in FIG. 20.

The broken lines are directed to environment and/or are for illustrative purposes only. None of the broken lines form part of the claimed design.

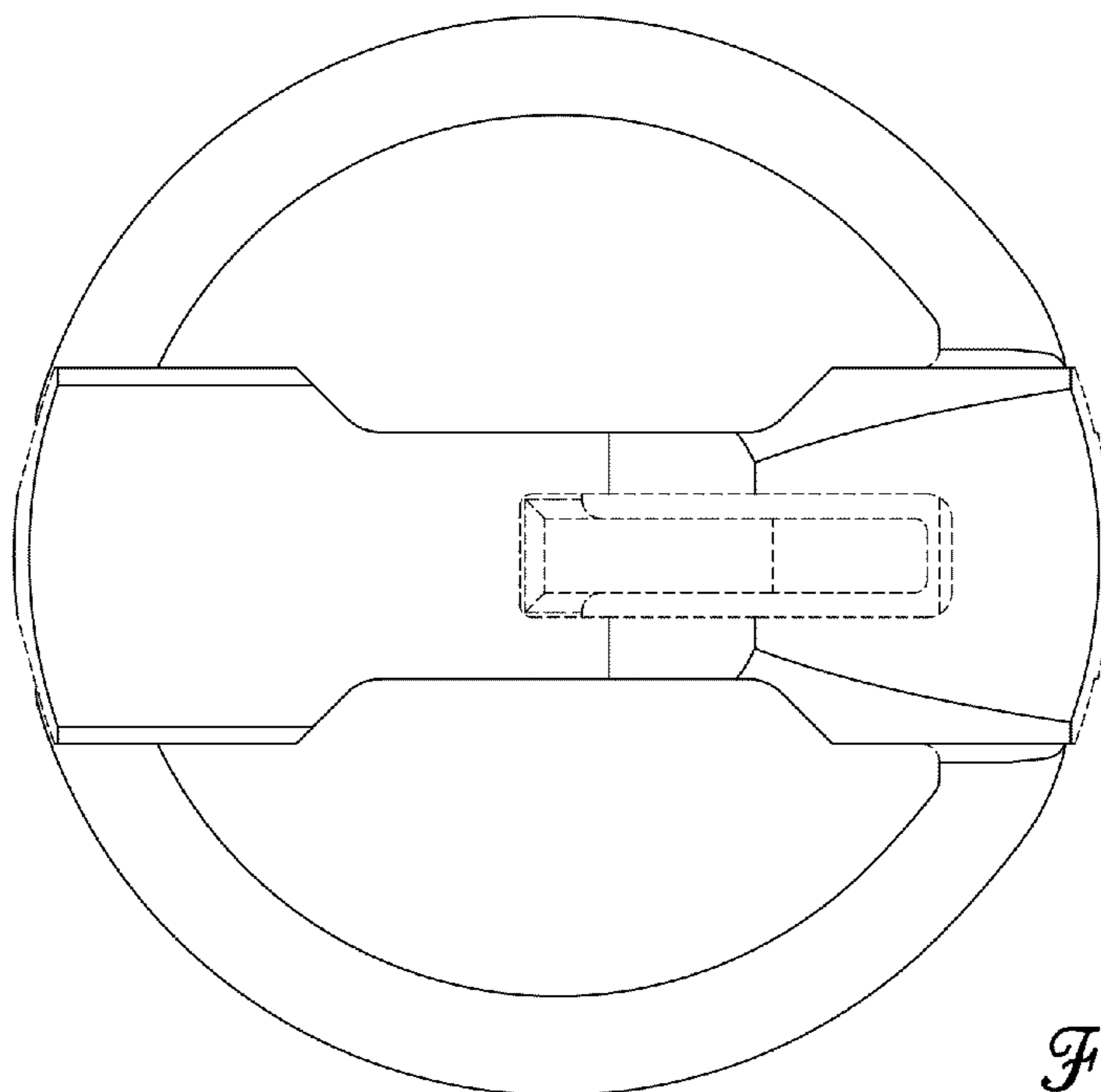
**1 Claim, 9 Drawing Sheets**



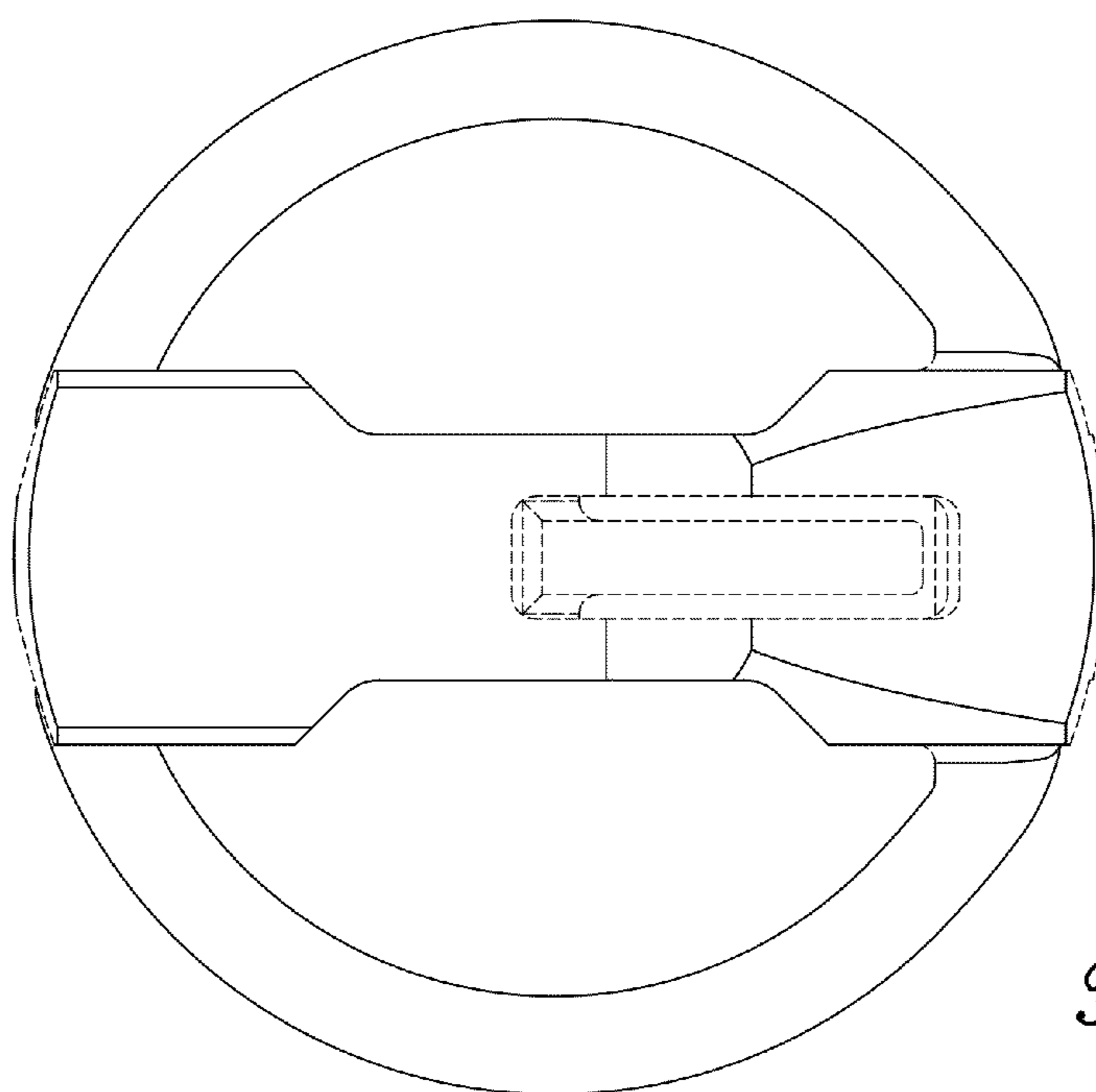
*Fig. 1.*



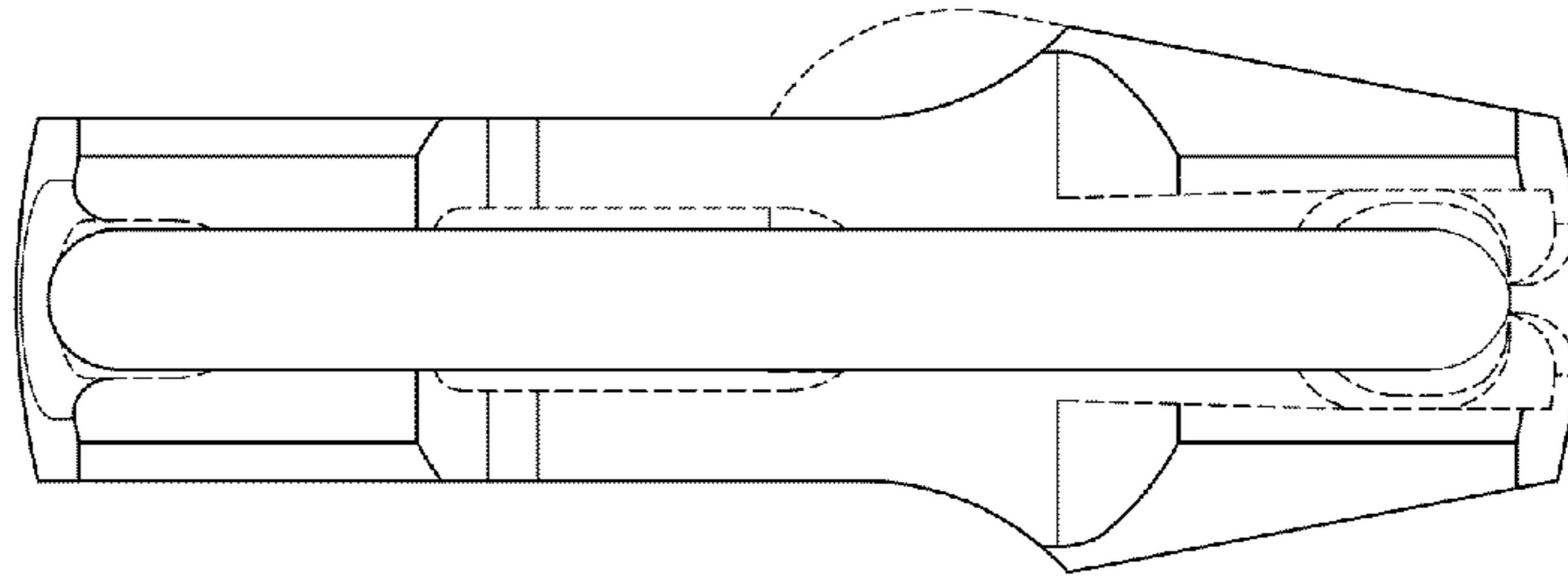
*Fig. 2.*



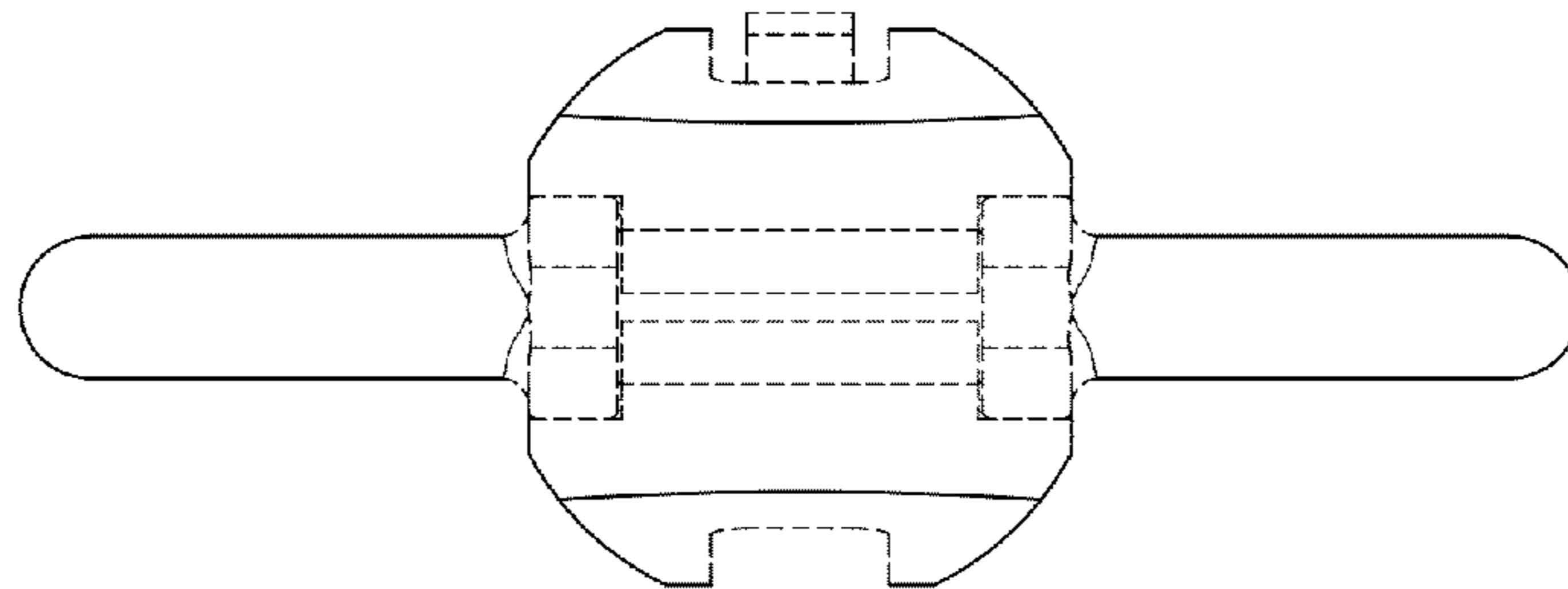
*Fig. 3.*



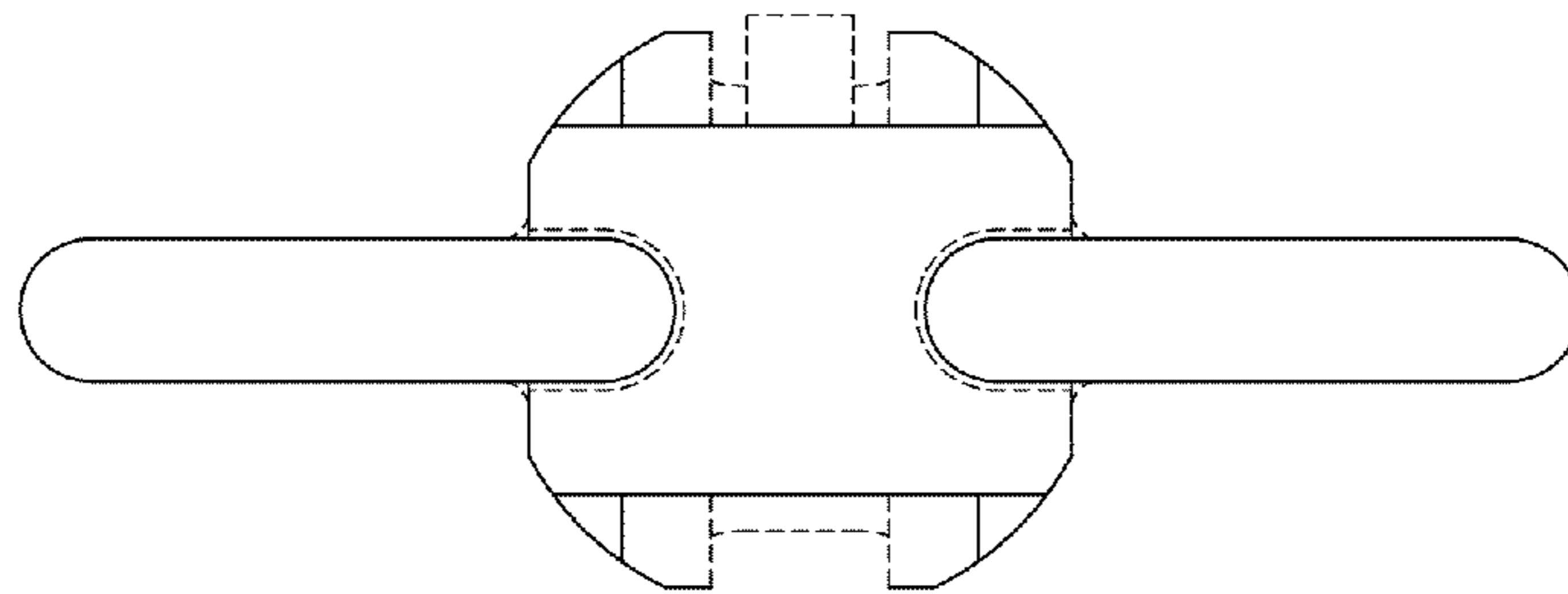
*Fig. 4.*



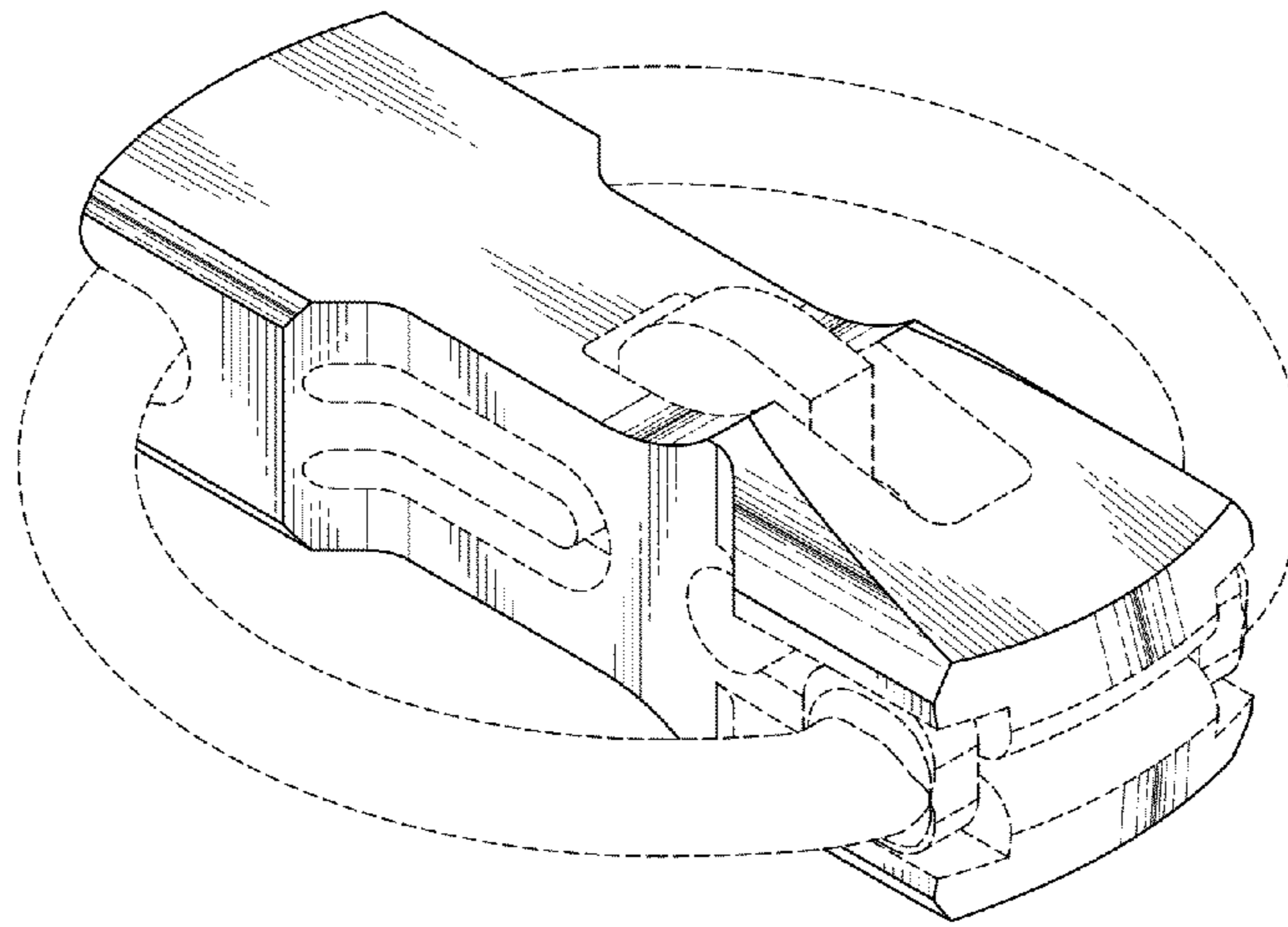
*Fig. 5.*



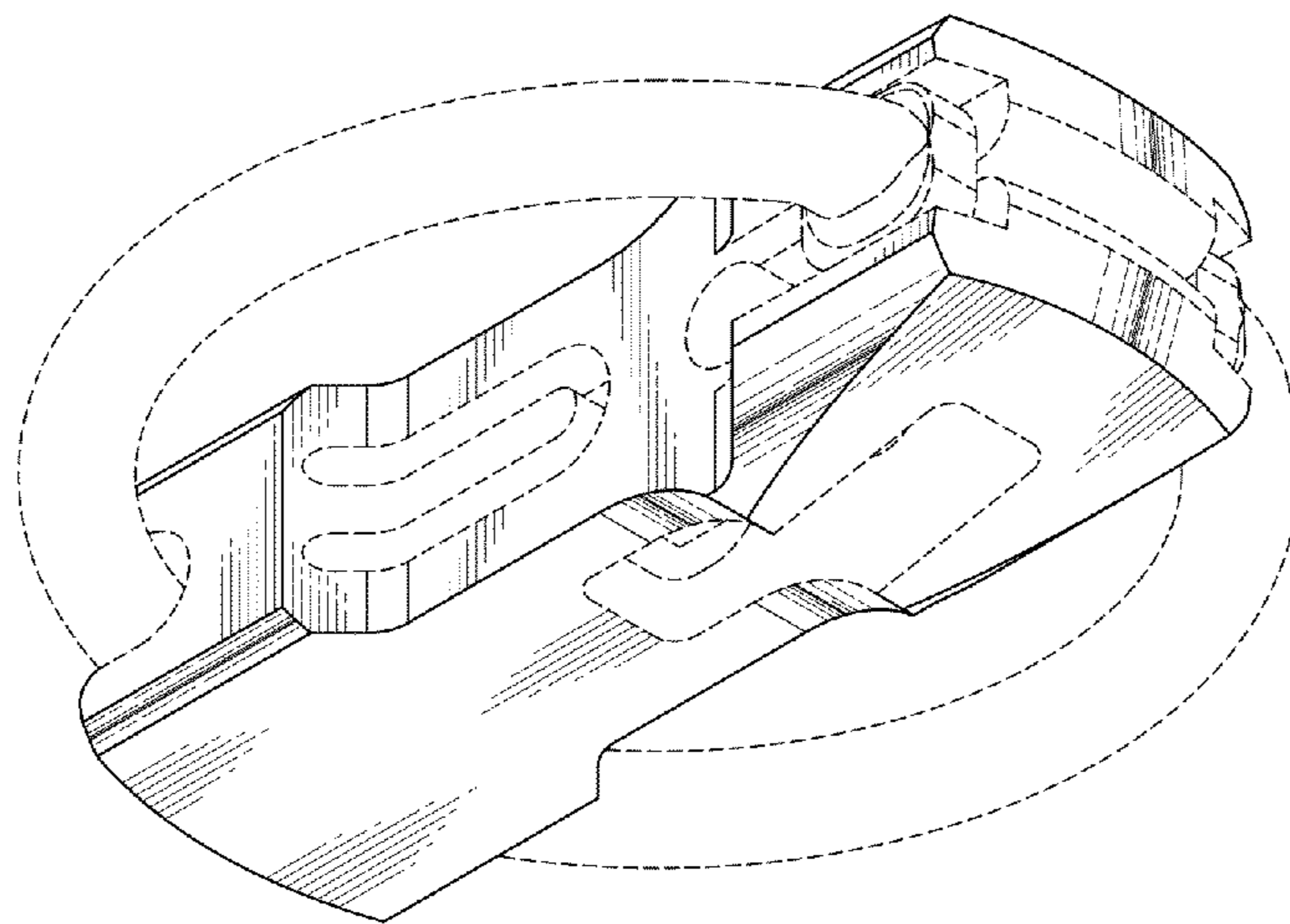
*Fig. 6.*



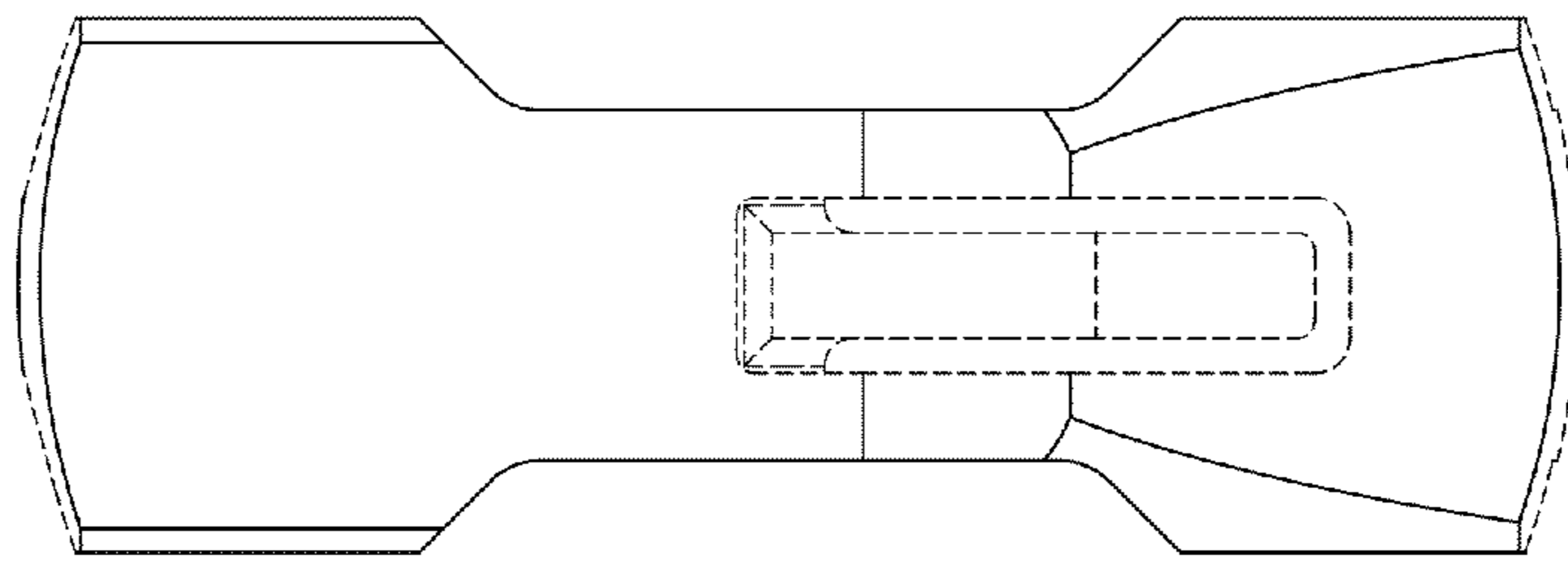
*Fig. 7.*



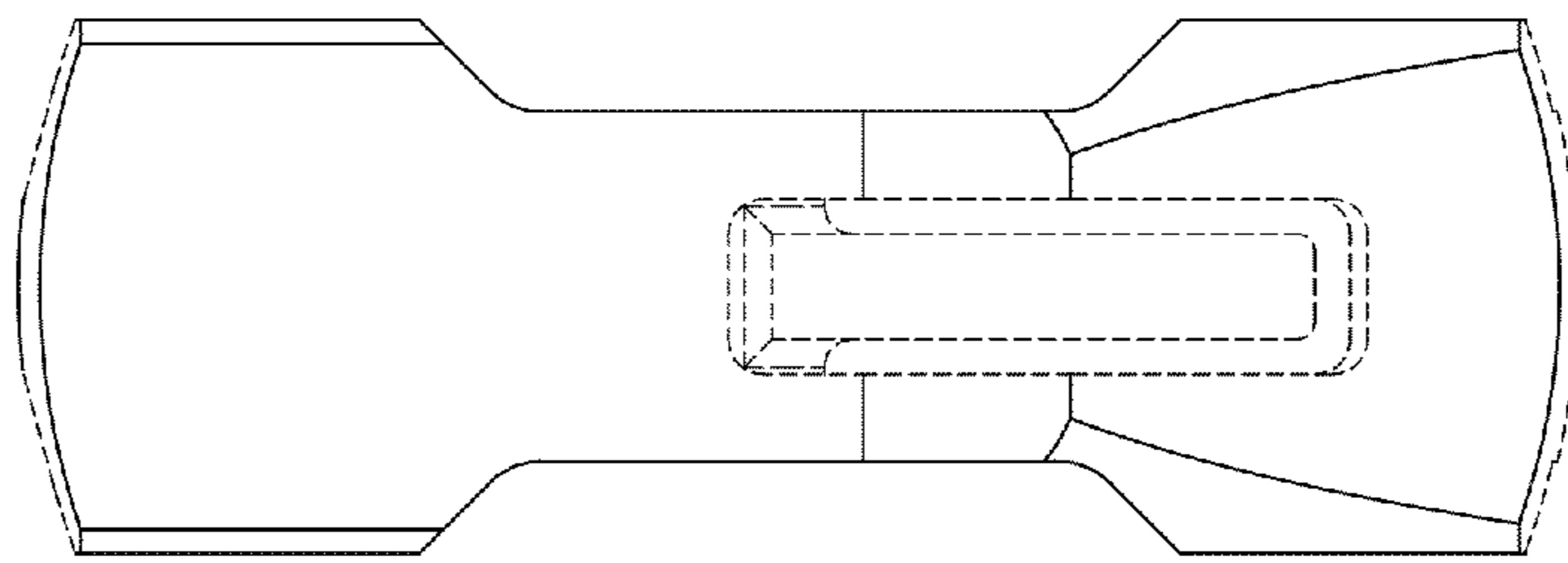
*Fig. 8.*



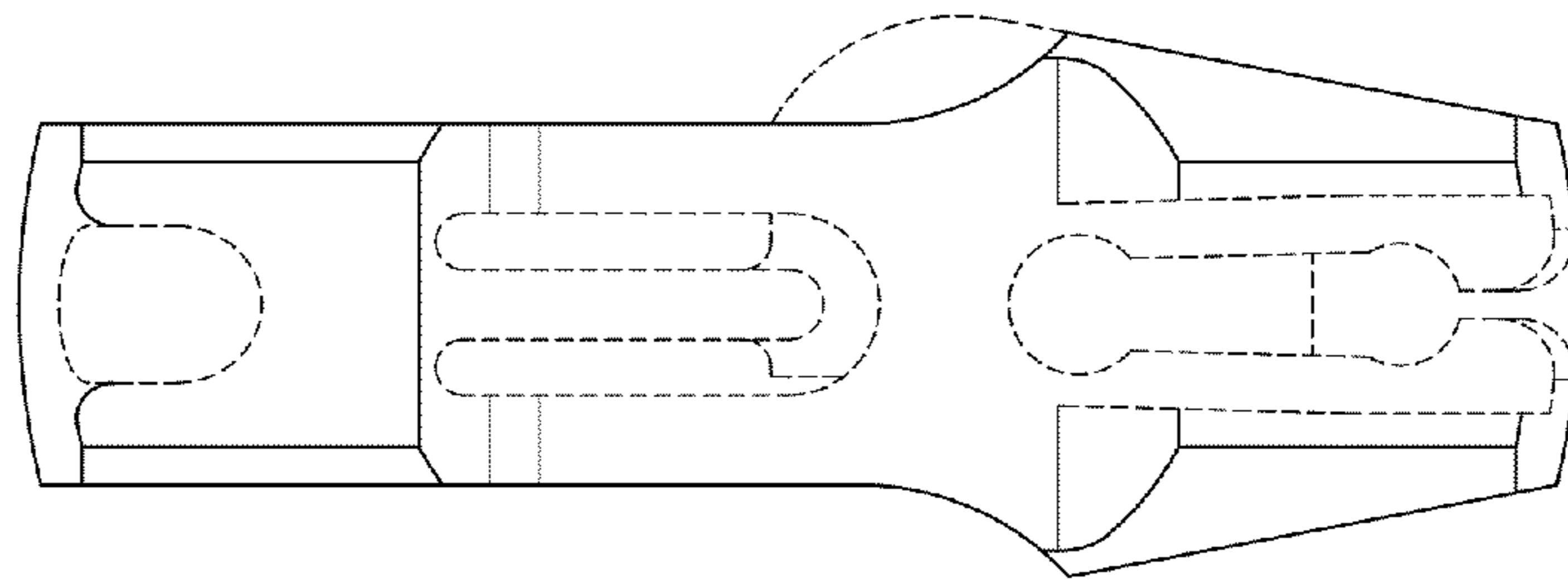
*Fig. 9.*



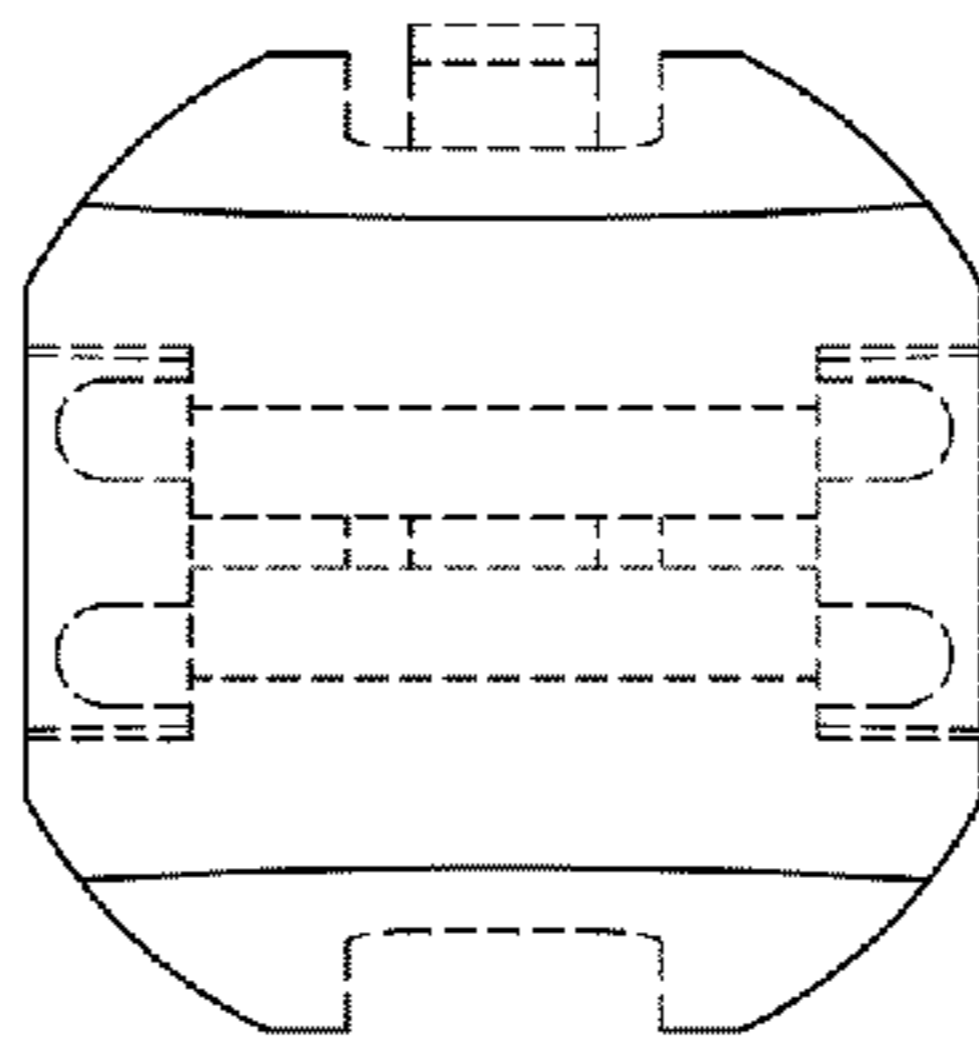
*Fig. 10.*



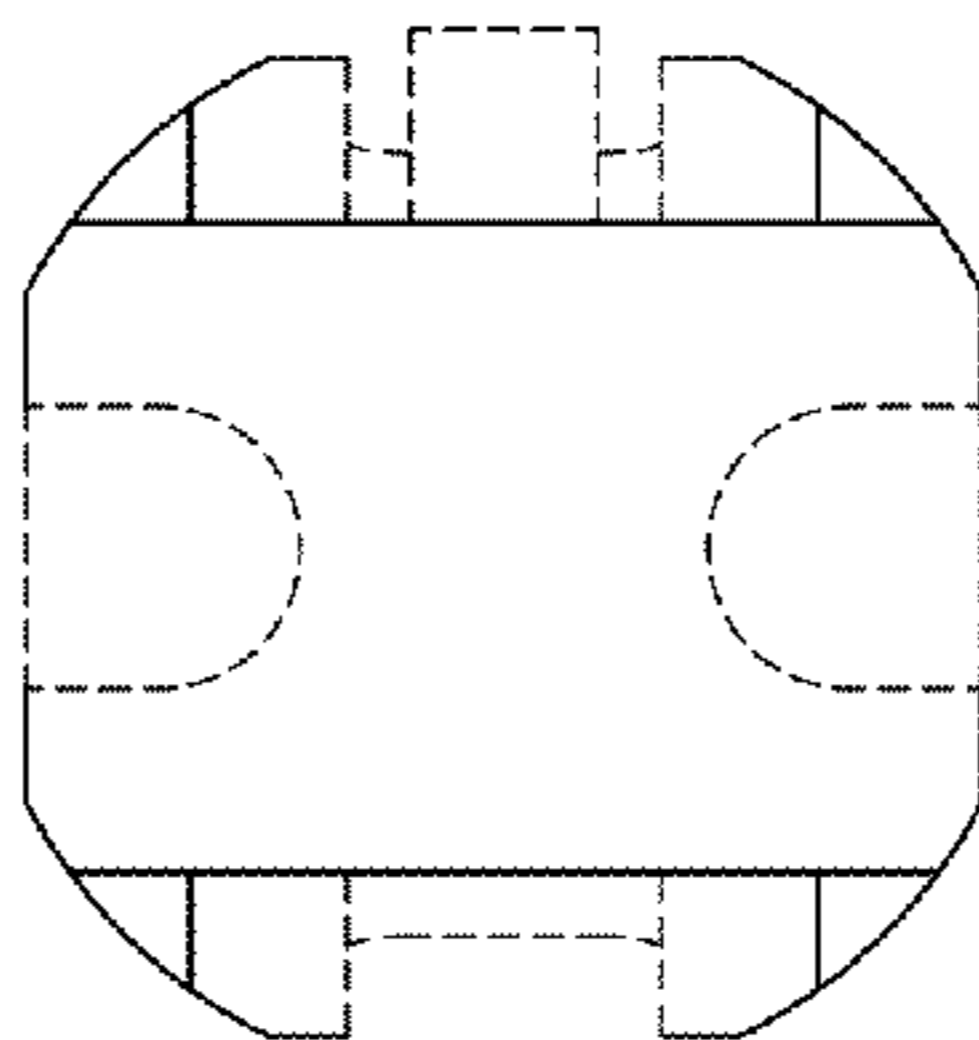
*Fig. 11.*



*Fig. 12.*

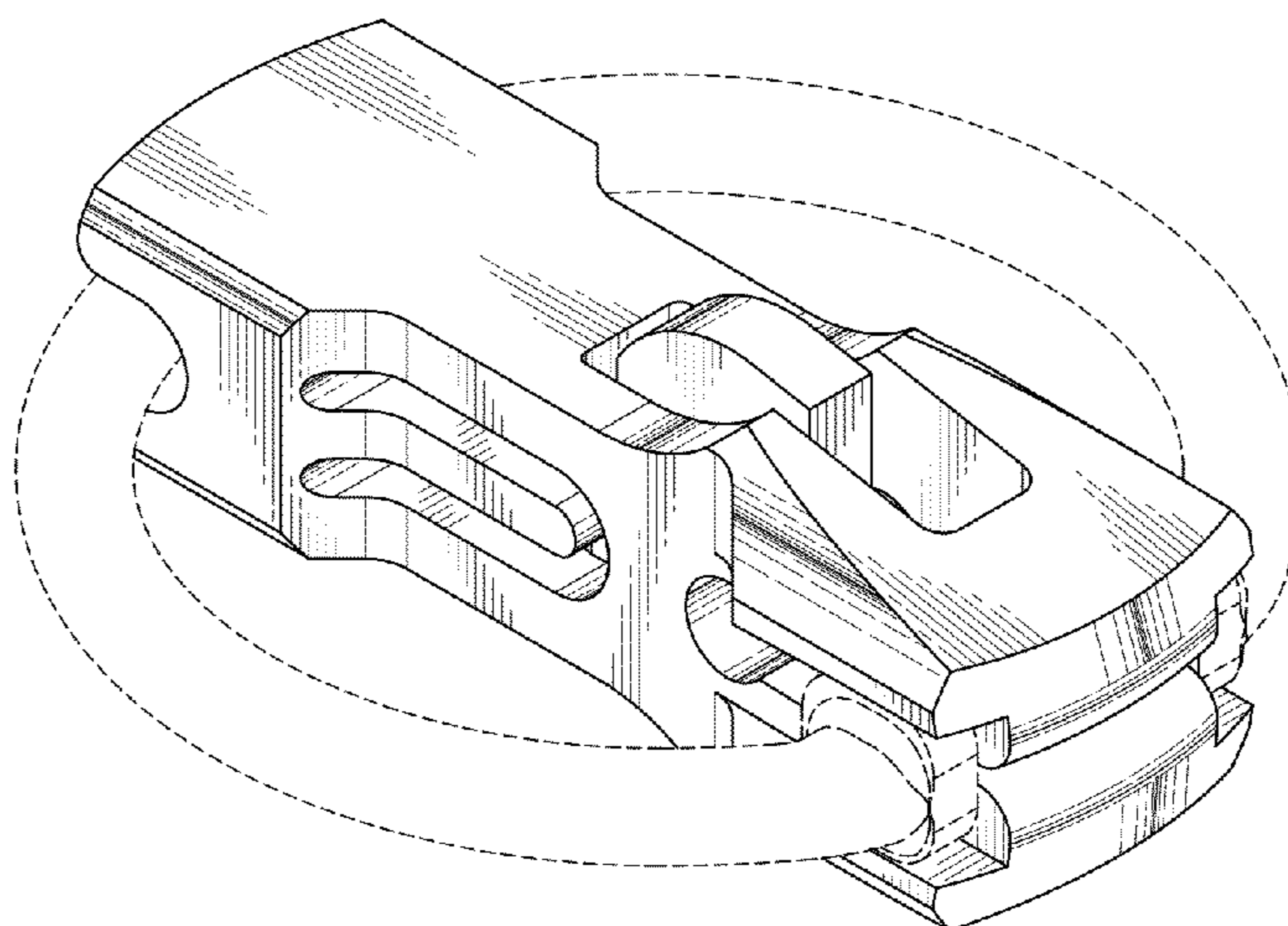


*Fig. 13.*

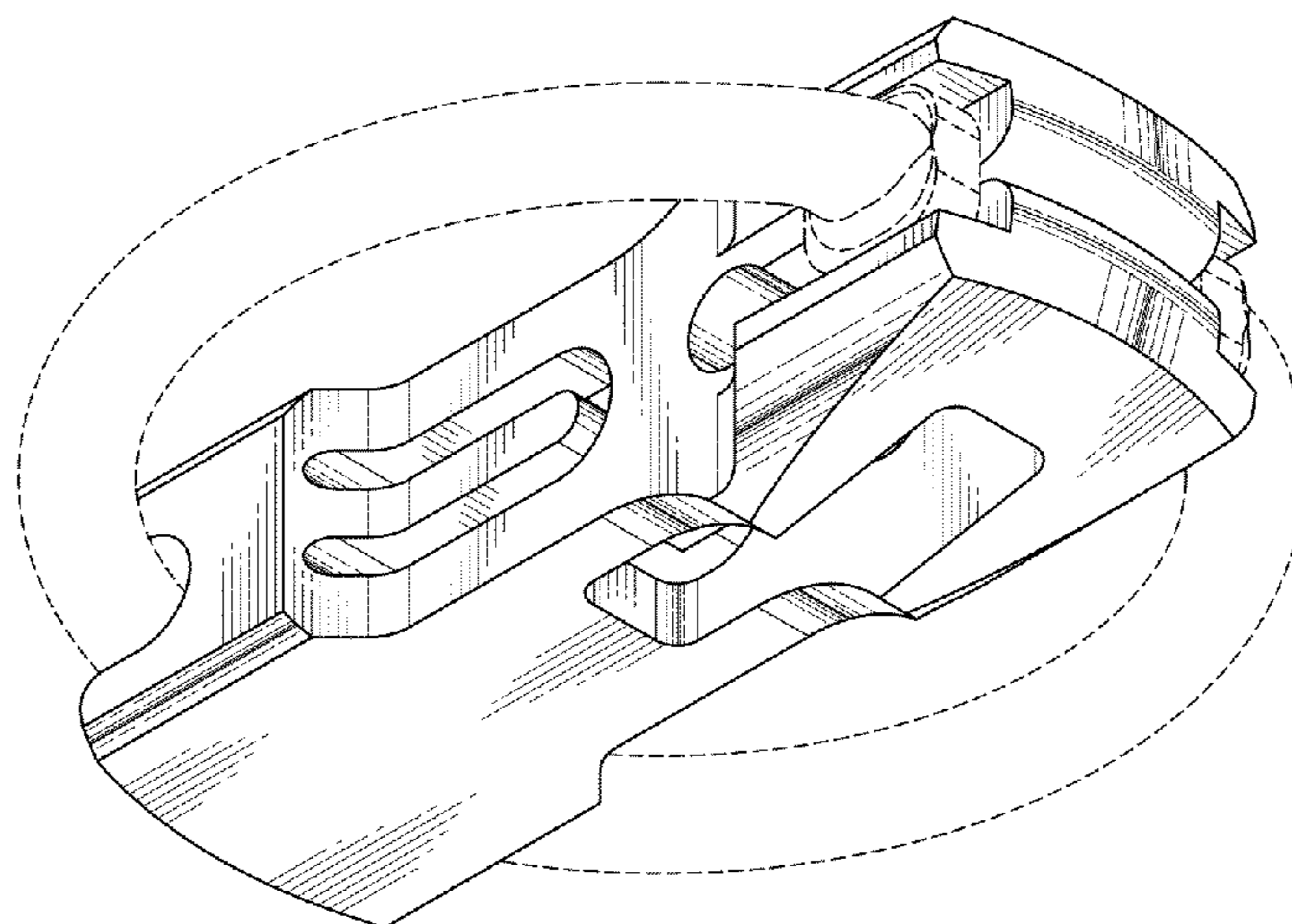


*Fig. 14.*

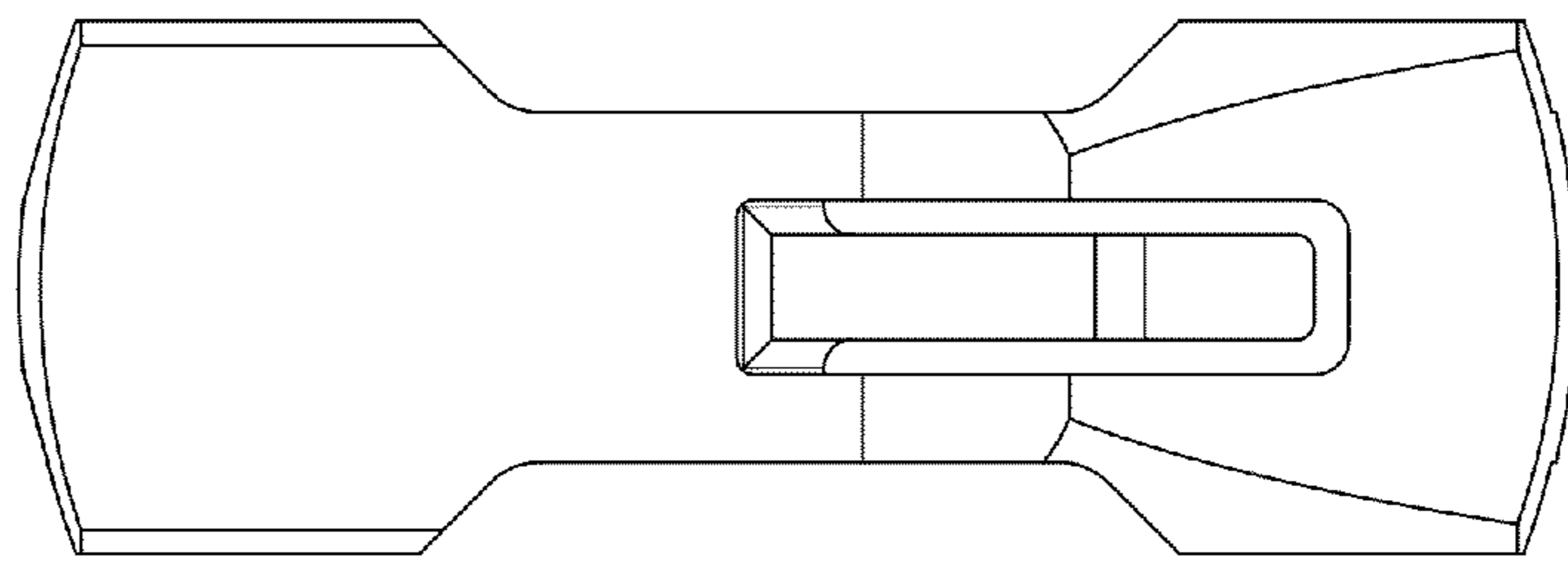




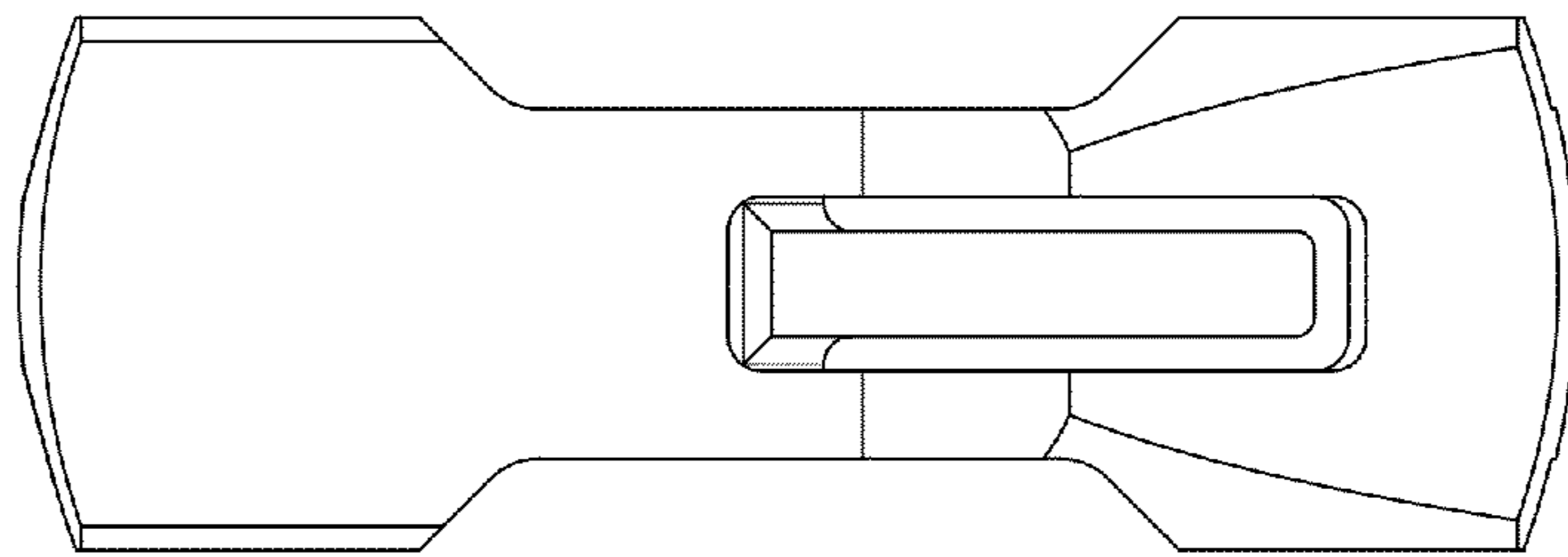
*Fig. 15.*



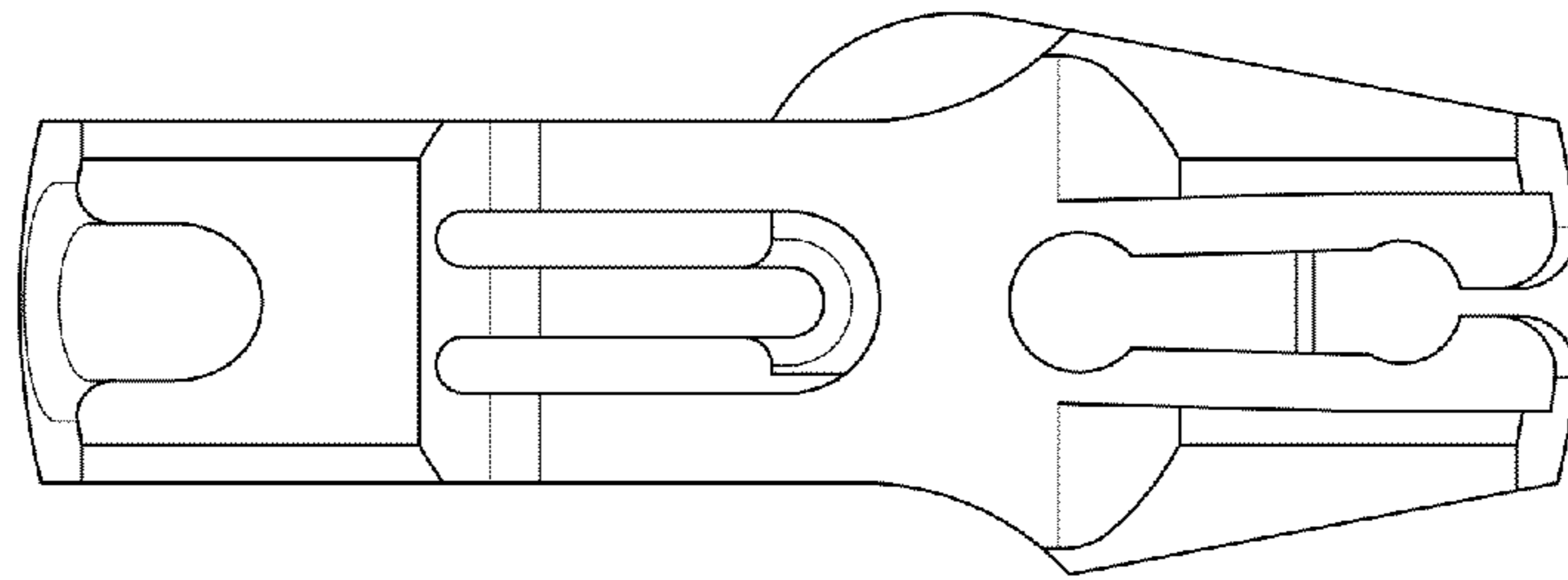
*Fig. 16.*



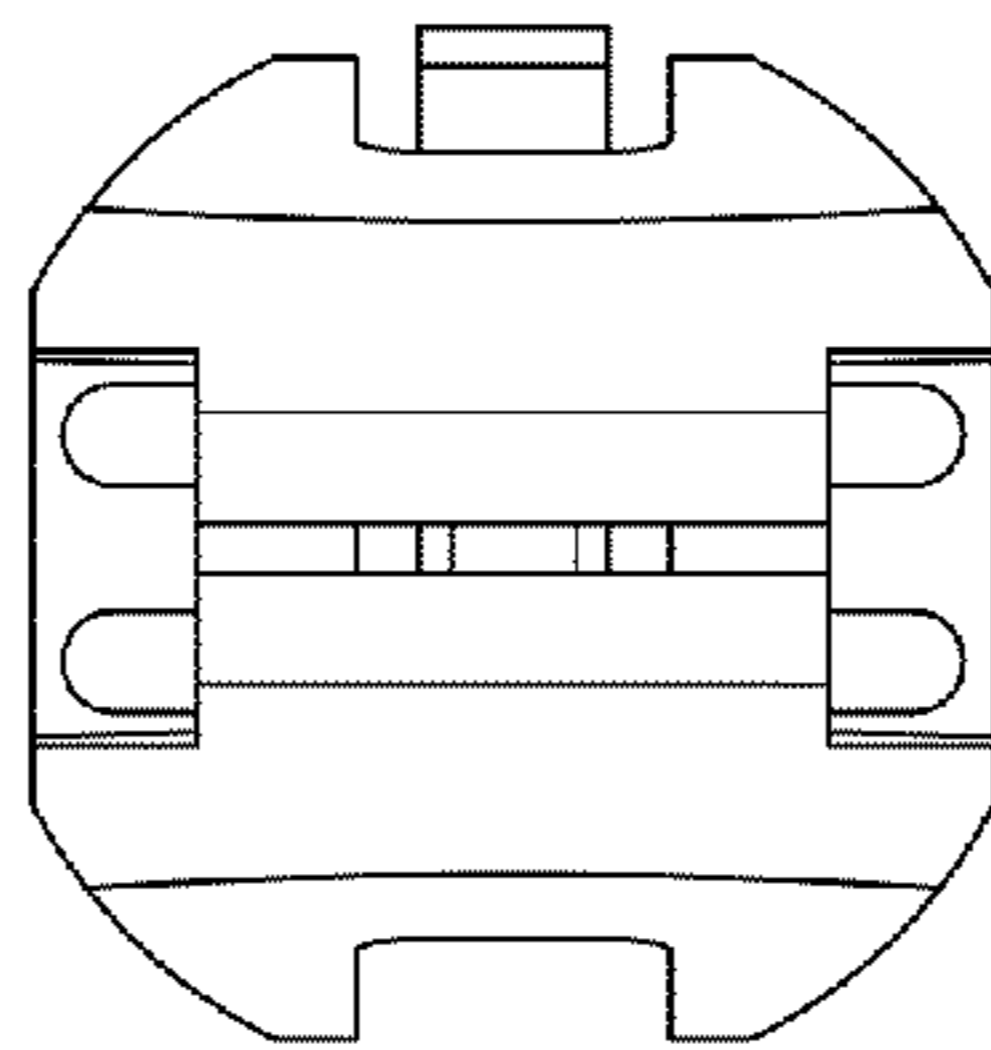
*Fig. 17.*



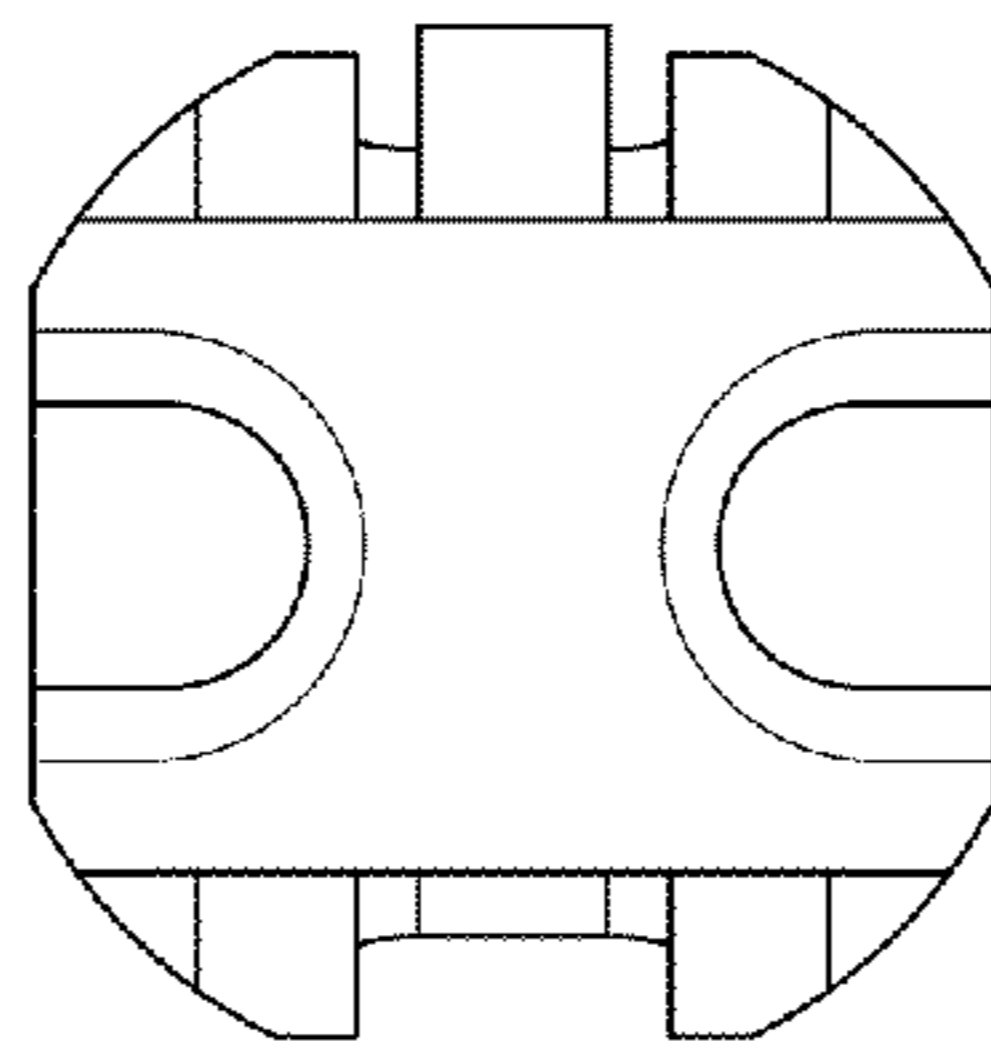
*Fig. 18.*



*Fig. 19.*



*Fig. 20.*



*Fig. 21.*