



US00D668037S

(12) **United States Design Patent**
London

(10) **Patent No.:** **US D668,037 S**

(45) **Date of Patent:** **** Oct. 2, 2012**

(54) **AUTOMATED EXTERNAL DEFIBRILLATOR
CARRY CASE**

6,422,669 B1 * 7/2002 Salvatori et al. 312/213
6,609,026 B2 * 8/2003 Salvatori et al. 607/5
D500,202 S 12/2004 Nova et al.
D643,618 S * 8/2011 Guichet D3/203.1

(75) Inventor: **Mitchell David London**, Mission Viejo,
CA (US)

* cited by examiner

(73) Assignee: **Cardiac Science Corporation**, Bothell,
WA (US)

Primary Examiner — Catheri Oliver

(74) *Attorney, Agent, or Firm* — Patterson Thuent
Christensen Pedersen, P.A.

(**) Term: **14 Years**

(21) Appl. No.: **29/408,119**

(57) **CLAIM**

I claim the ornamental design for an automated external
defibrillator carry case, as shown and described.

(22) Filed: **Dec. 7, 2011**

(51) **LOC (9) Cl.** **03-01**

(52) **U.S. Cl.** **D3/203.1**

(58) **Field of Classification Search** D3/203.1,
D3/203.6, 203.7, 203.8; 206/63.3, 363, 438,
206/320; 607/53; 312/213

See application file for complete search history.

DESCRIPTION

FIG. 1 is a front right perspective view of an automated
external defibrillator carry case according to my design;
FIG. 2 is a front elevational view thereof;
FIG. 3 is a rear elevational view thereof;
FIG. 4 is a right side elevational view thereof;
FIG. 5 is a left side elevational view thereof;
FIG. 6 is a top plan view thereof; and,
FIG. 7 is a bottom view thereof.

Items shown in broken lines are for illustrative purposes only
and form no part of the claimed invention.

(56) **References Cited**

U.S. PATENT DOCUMENTS

D288,601 S * 3/1987 MacPherson D24/168
D369,677 S * 5/1996 Bussmann et al. D3/282
D377,097 S 12/1996 Olson et al.
D455,492 S * 4/2002 Daynes et al. D24/167

1 Claim, 6 Drawing Sheets

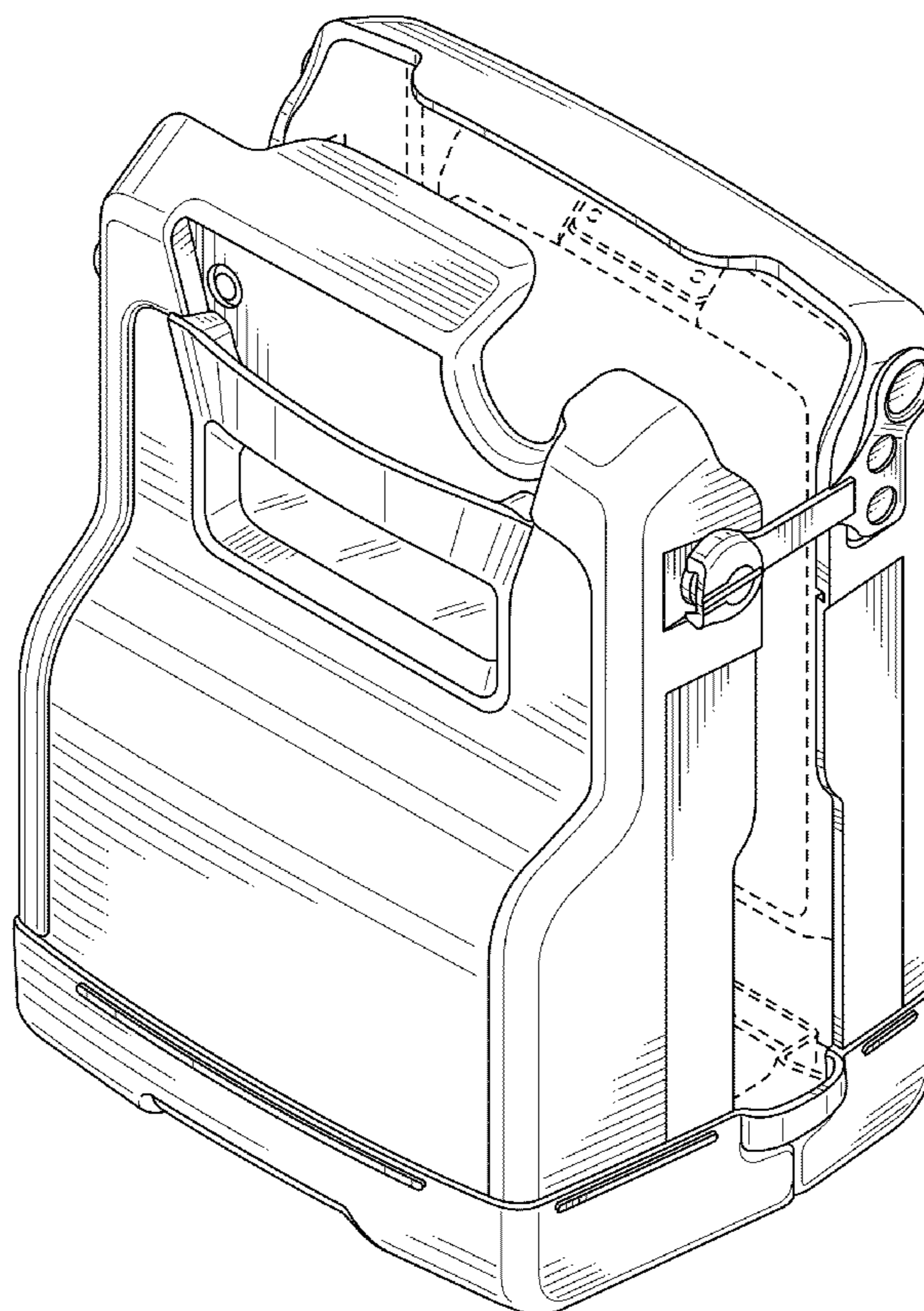


Fig. 1

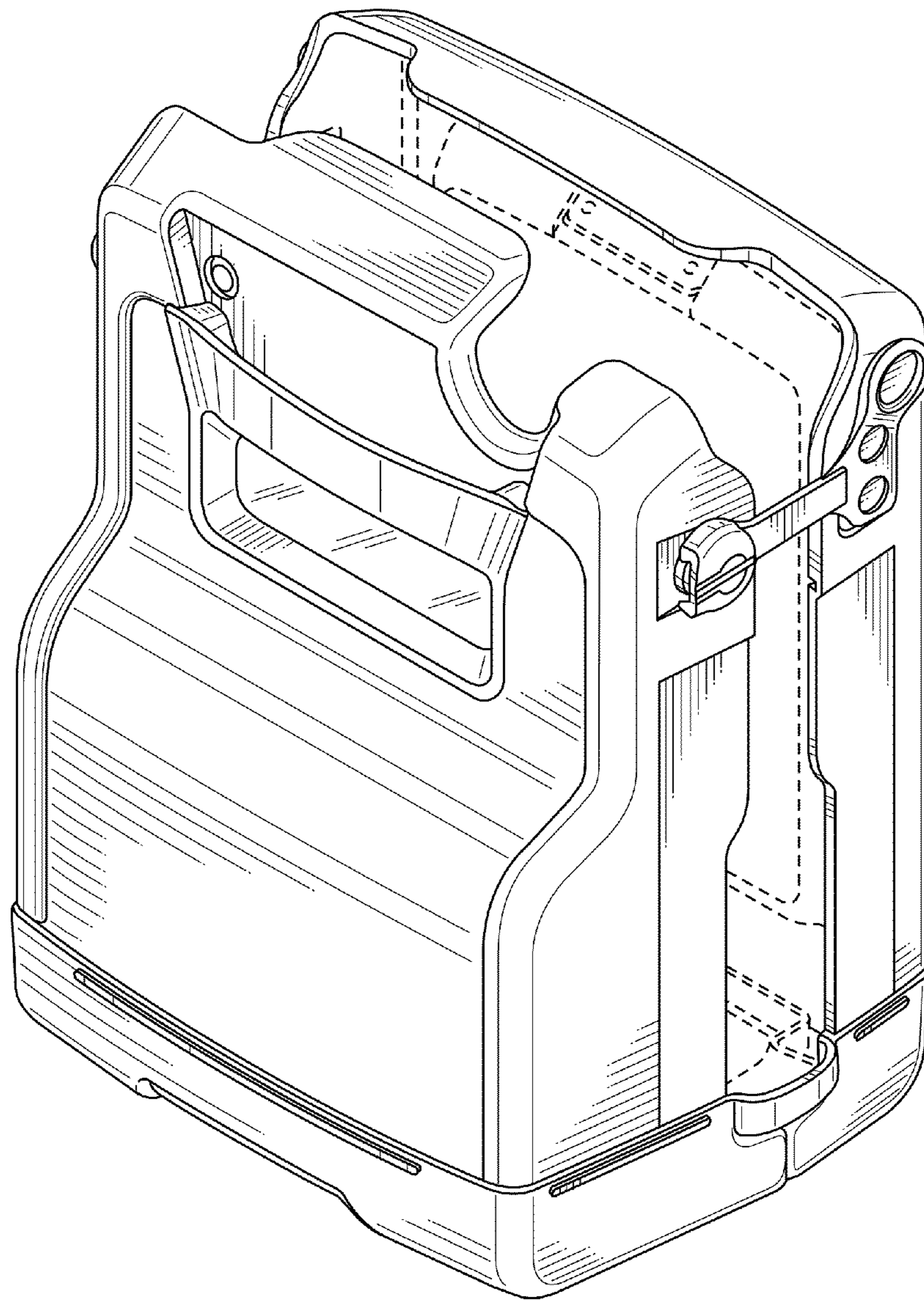


Fig. 2

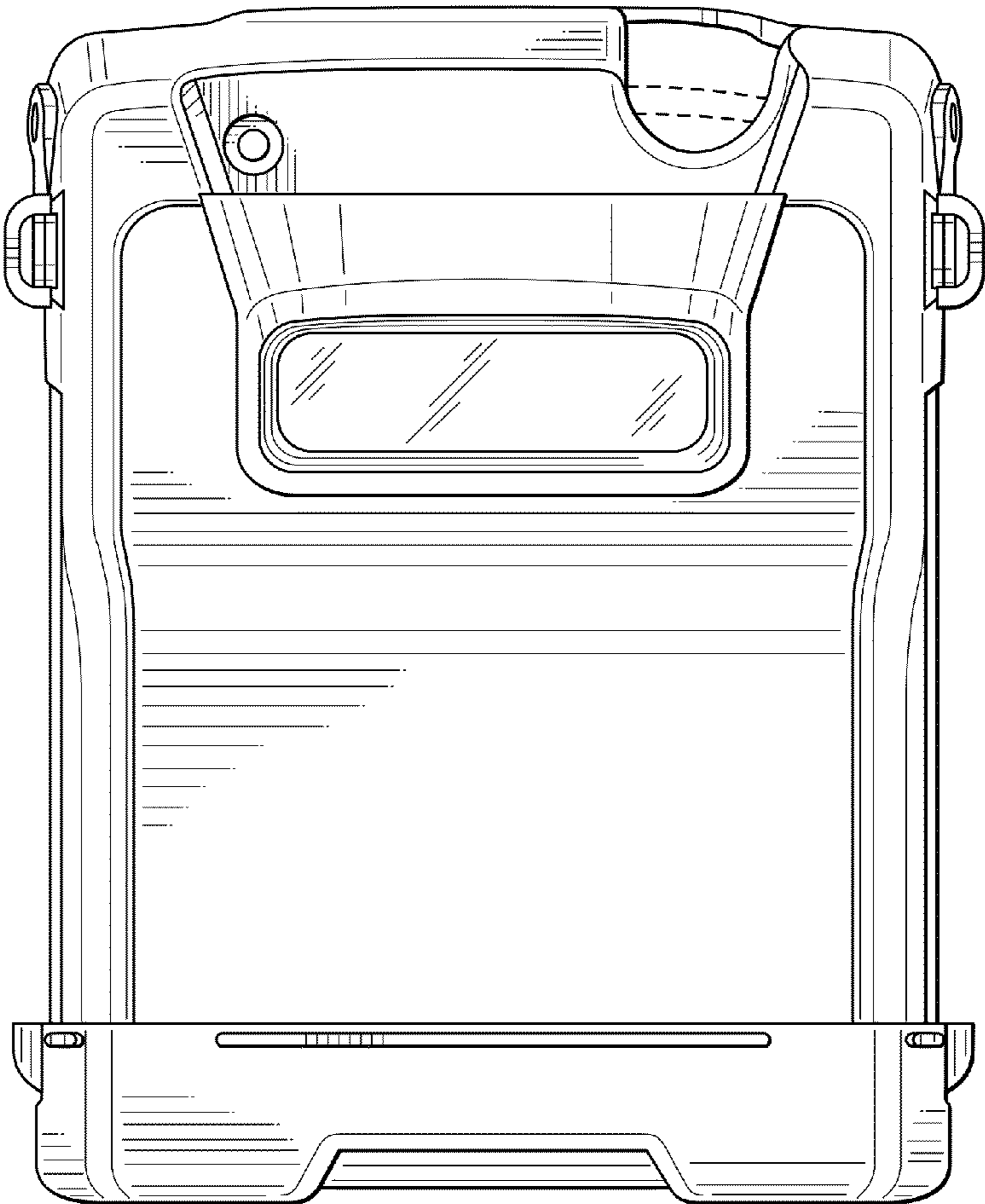


Fig. 3

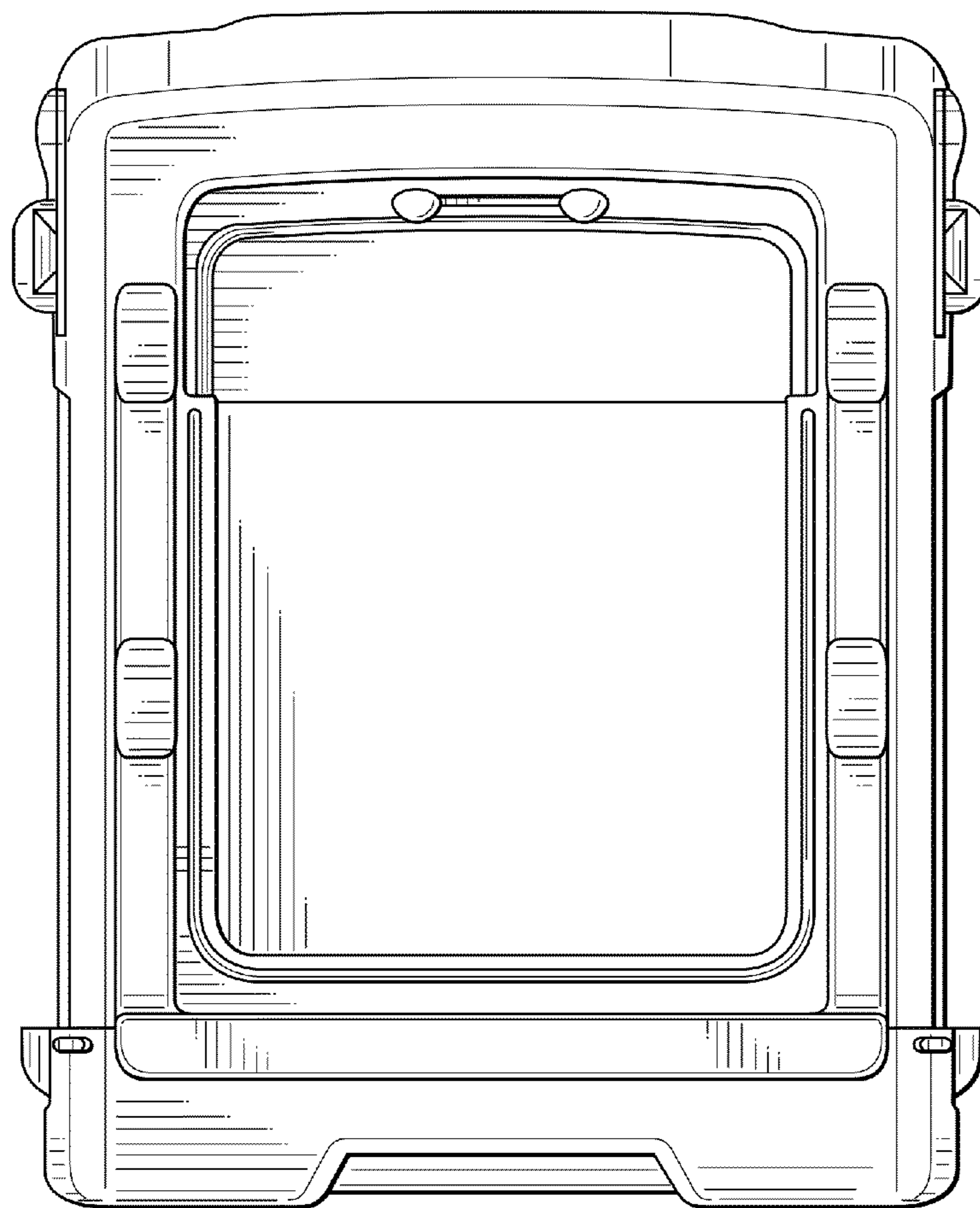


Fig. 4

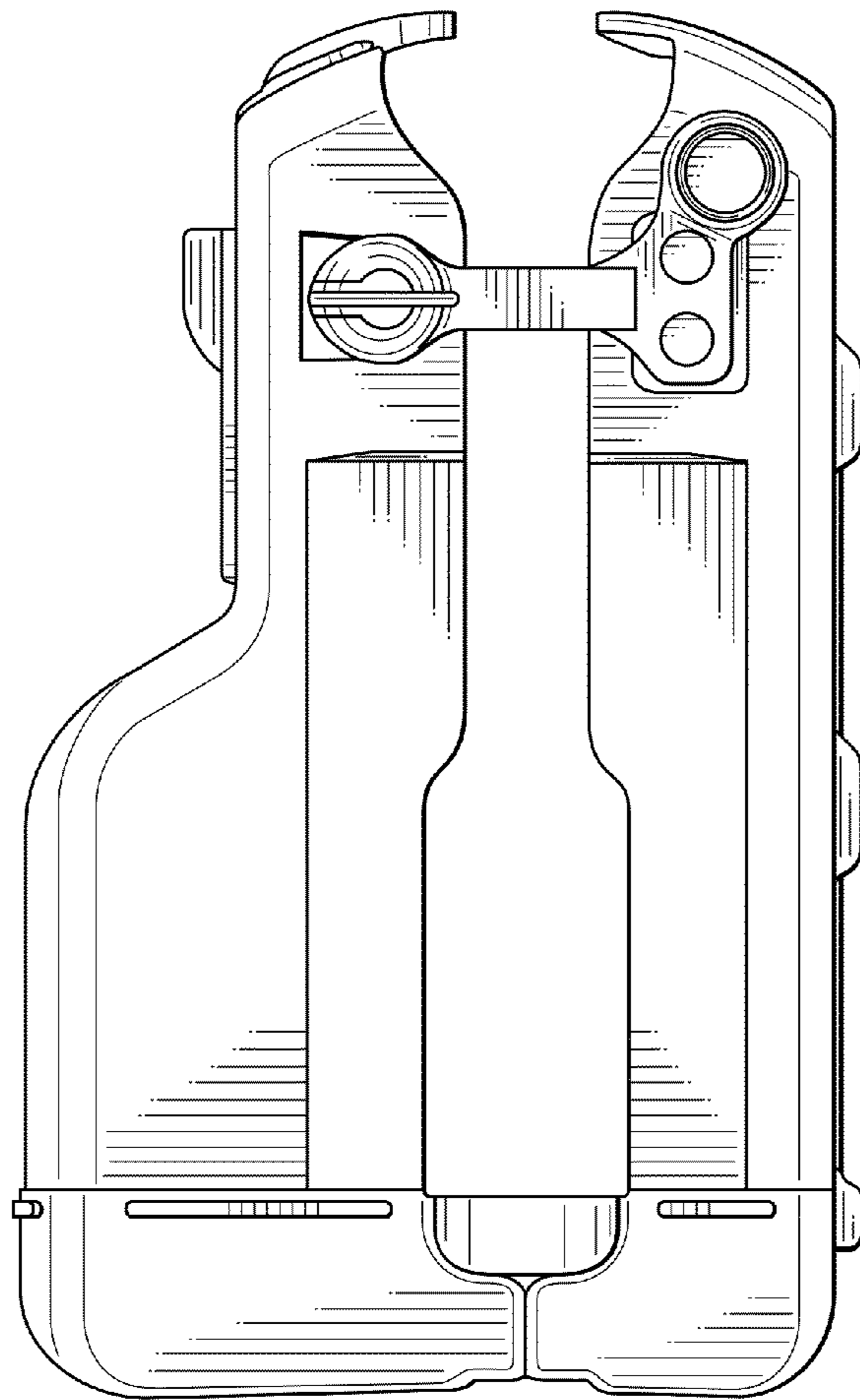


Fig. 5

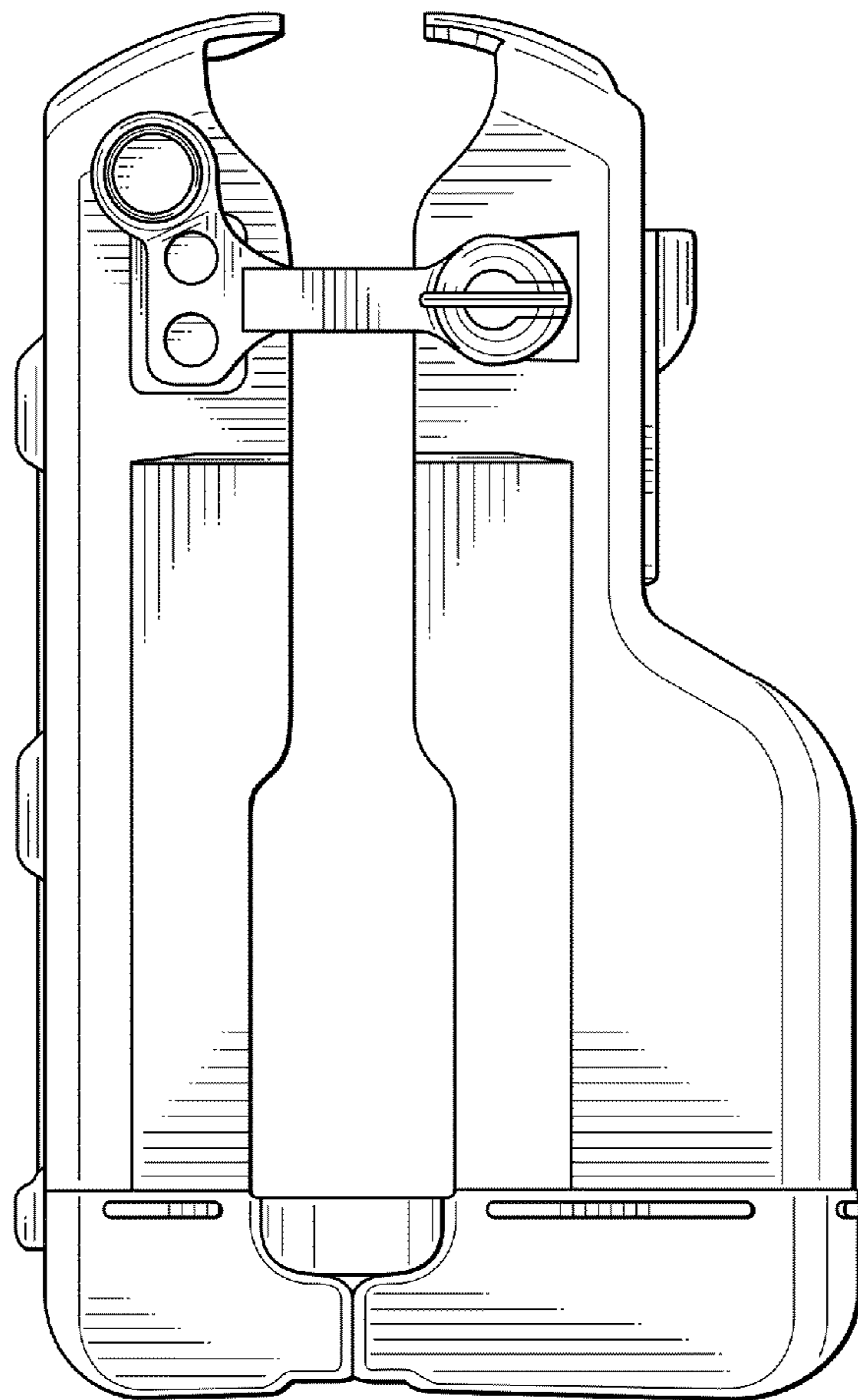


Fig. 6

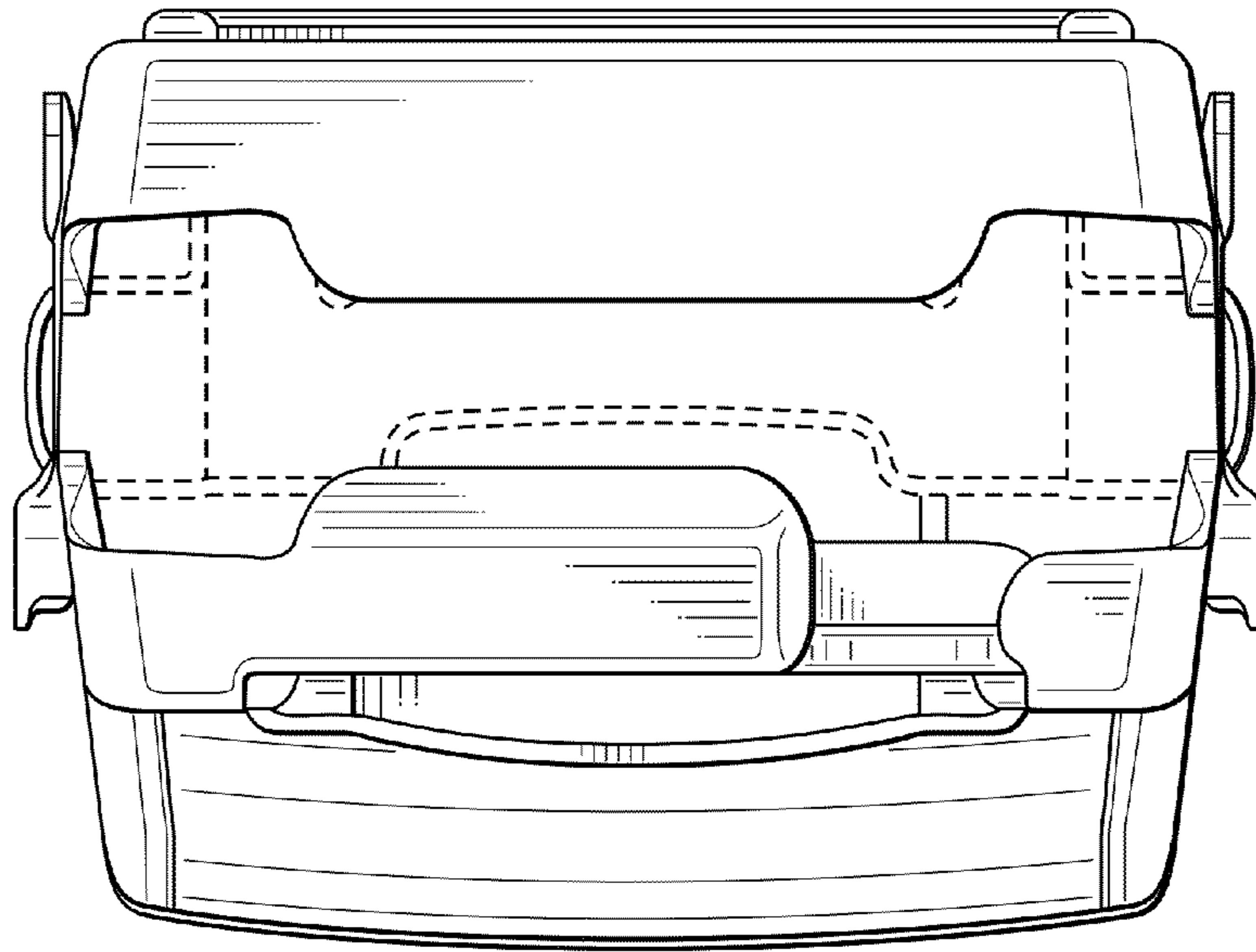


Fig. 7

