



US00D668016S

(12) **United States Design Patent**  
**Bottini**

(10) **Patent No.:** **US D668,016 S**  
(45) **Date of Patent:** **\*\* Oct. 2, 2012**

(54) **LOLLIPOP**

(75) Inventor: **Alessandro Bottini**, Lainate (IT)

(73) Assignee: **Perfetti van Melle S.p.A.**, Lainate (IT)

(\*\*) Term: **14 Years**

(21) Appl. No.: **29/388,973**

(22) Filed: **Apr. 5, 2011**

(30) **Foreign Application Priority Data**

Oct. 6, 2010 (IT) ..... MI2010O0164

(51) **LOC (9) Cl.** ..... **01-01**

(52) **U.S. Cl.** ..... **D1/102**

(58) **Field of Classification Search** ..... D1/100-199;  
D7/602, 672-677; D28/88, 8.1; D11/33,  
D11/63, 67, 70, 84, 108, 115, 103, 56, 49,  
D11/82, 134, 157, 158; D21/803, 386; D24/101,  
D24/104; D19/42; D30/160; 273/261; 426/76,  
426/87, 89, 90, 91, 92, 100, 101, 103, 104,  
426/105, 132, 134, 138, 139, 421, 515, 122,  
426/144, 660, 512, 393, 635, 805, 94-95,  
426/128, 293, 383, 438-439, 446, 450, 502-504,  
426/516, 543, 549-550, 556, 249, 250, 802  
See application file for complete search history.

(56) **References Cited**

**U.S. PATENT DOCUMENTS**

2,036,706 A \* 4/1936 Law ..... 426/85  
3,306,512 A \* 2/1967 Pagnini ..... 426/135

4,144,356 A \* 3/1979 McDaniel ..... 426/91  
D294,190 S \* 2/1988 Aquarius ..... D1/102  
5,834,044 A \* 11/1998 Schmitz et al. .... 426/73  
D402,892 S \* 12/1998 Hering ..... D9/454  
D480,531 S \* 10/2003 Colle et al. .... D1/102  
6,797,294 B2 \* 9/2004 Fullwood et al. .... 426/91  
D582,281 S \* 12/2008 Zanaletti ..... D9/519  
D595,476 S \* 7/2009 Zanaletti ..... D1/102  
D644,406 S \* 9/2011 Bottini ..... D1/102  
2005/0095949 A1 \* 5/2005 Fernandez ..... 446/236  
2006/0240175 A1 \* 10/2006 Weiss et al. .... 426/660  
2008/0233247 A1 \* 9/2008 Fernandez ..... 426/134

**FOREIGN PATENT DOCUMENTS**

WO DM/059998 \* 5/2002

\* cited by examiner

*Primary Examiner* — Barbara Fox

(74) *Attorney, Agent, or Firm* — Jacobson Holman PLLC

(57) **CLAIM**

The ornamental design for a lollipop, as shown and described.

**DESCRIPTION**

FIG. 1 is a perspective view of a lollipop showing my new design.

FIG. 2 is a front elevational view of the lollipop of FIG. 1.

FIG. 3 is a left elevational view of the lollipop of FIG. 1.

FIG. 4 is a rear elevational view of the lollipop of FIG. 1.

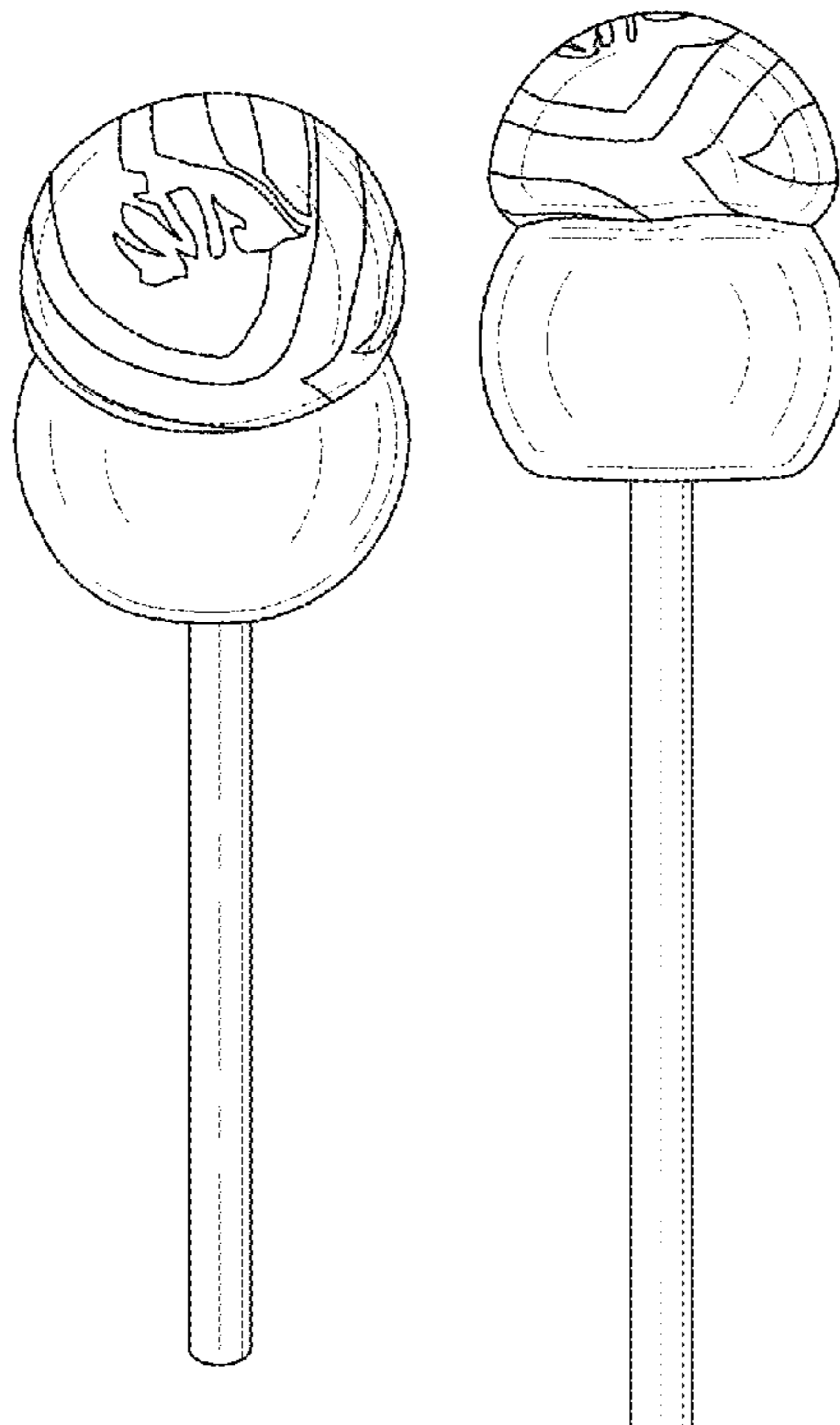
FIG. 5 is a right elevational view of the lollipop of FIG. 1.

FIG. 6 is a top plan view of the lollipop of FIG. 1; and,

FIG. 7 is a bottom plan view of the lollipop of FIG. 1.

The broken line(s) that define the bounds of the claimed design form no part thereof.

**1 Claim, 2 Drawing Sheets**



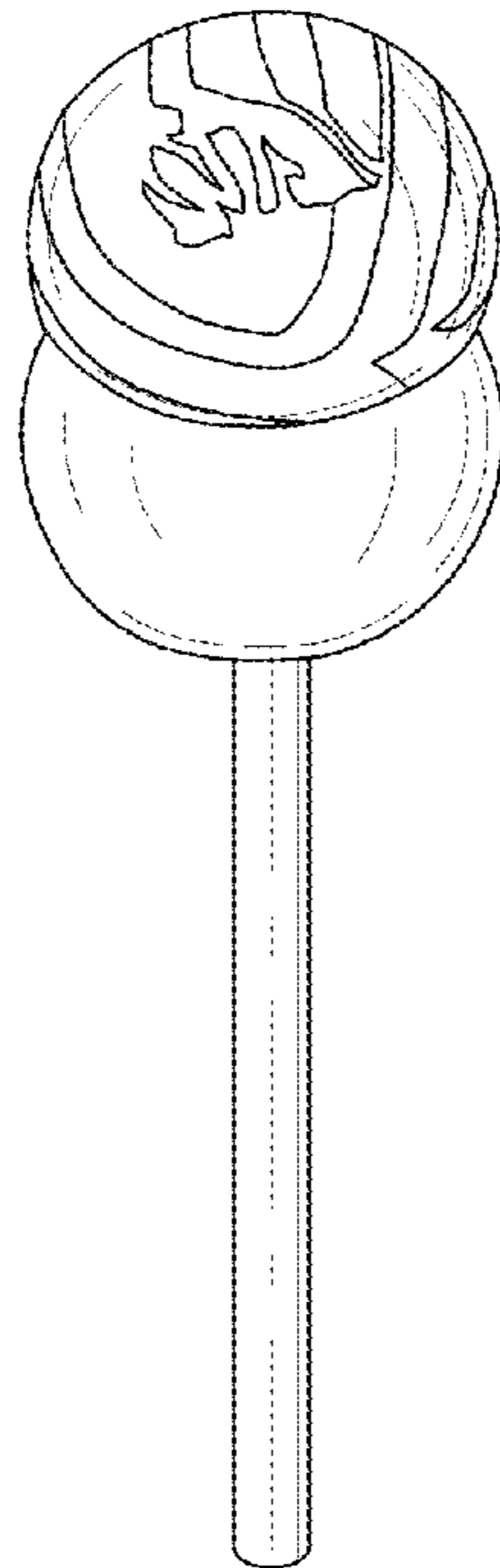


FIG. 1

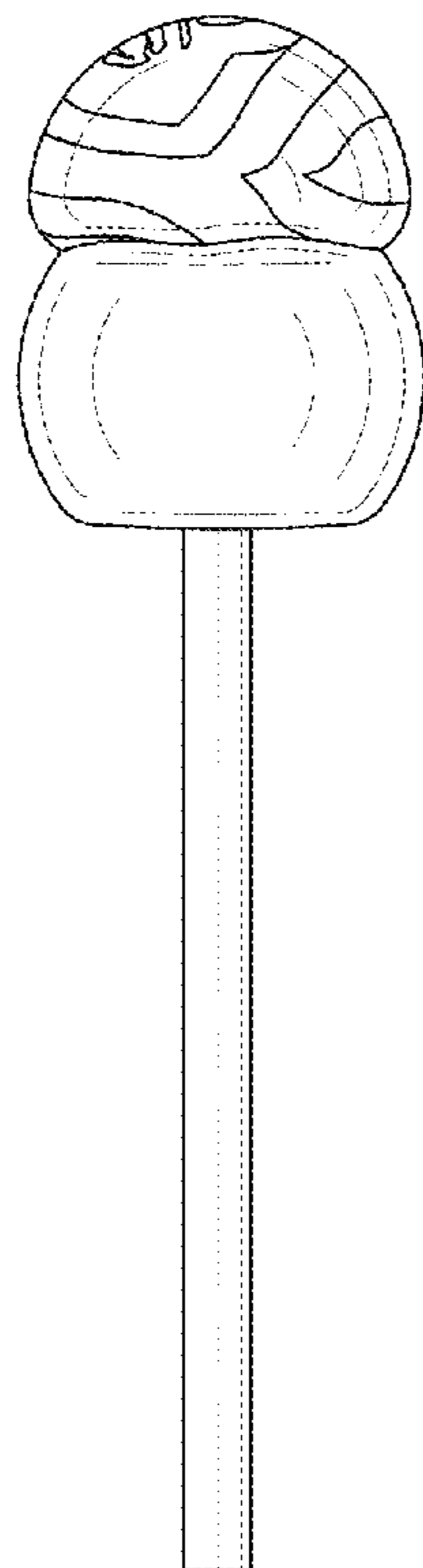


FIG. 2

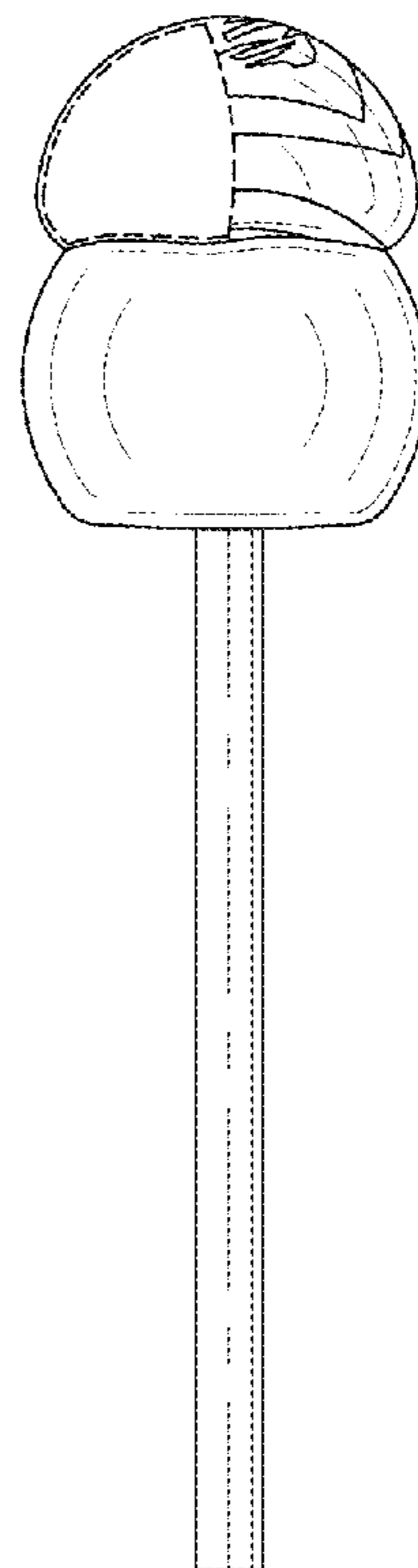


FIG. 3

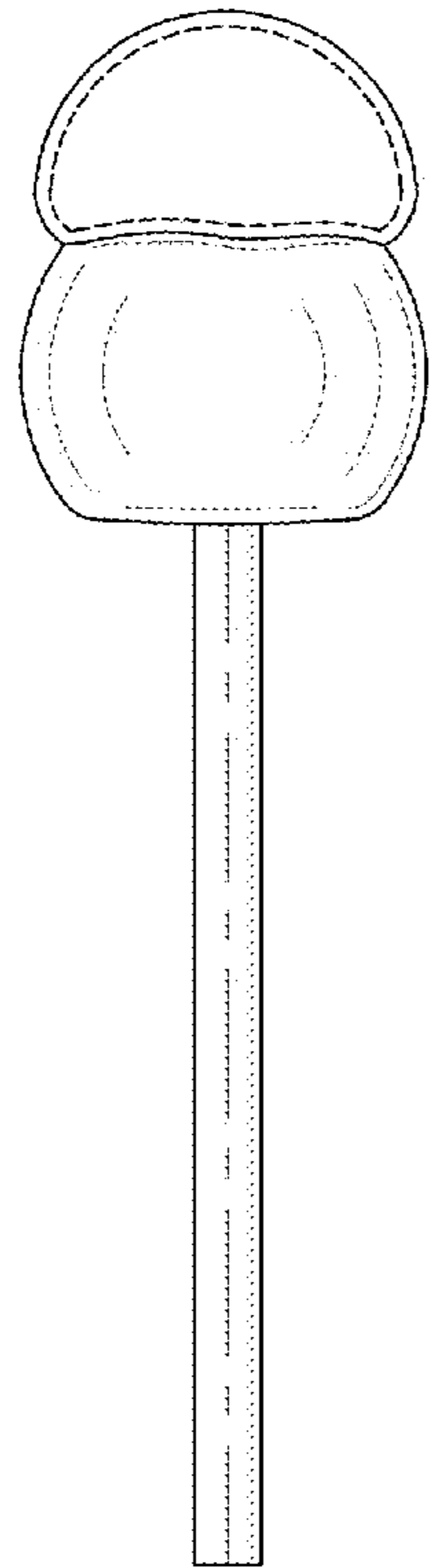


FIG. 4

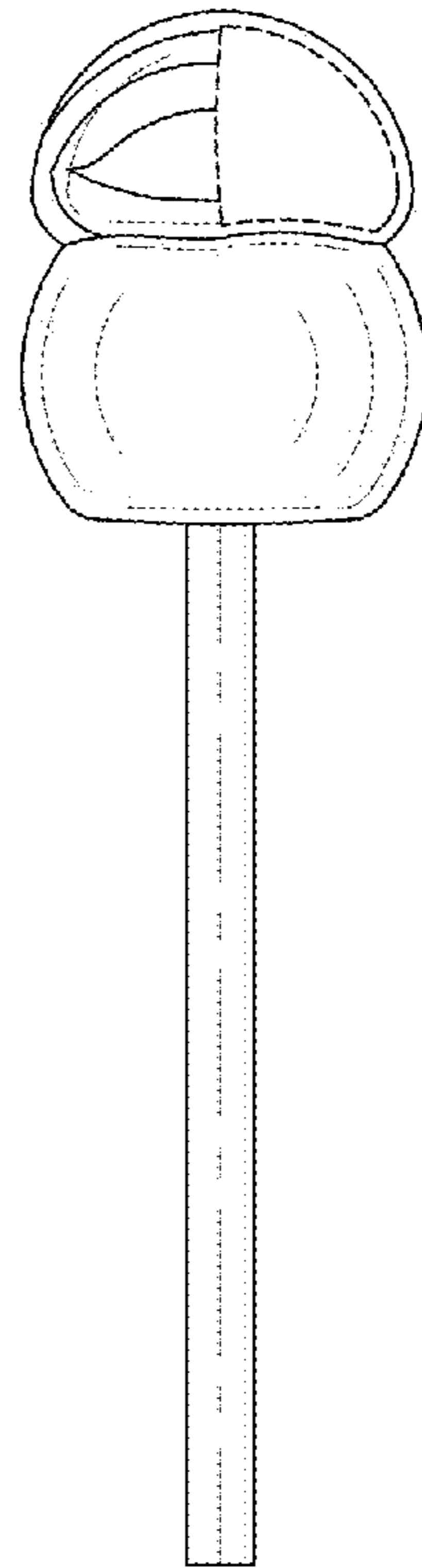


FIG. 5

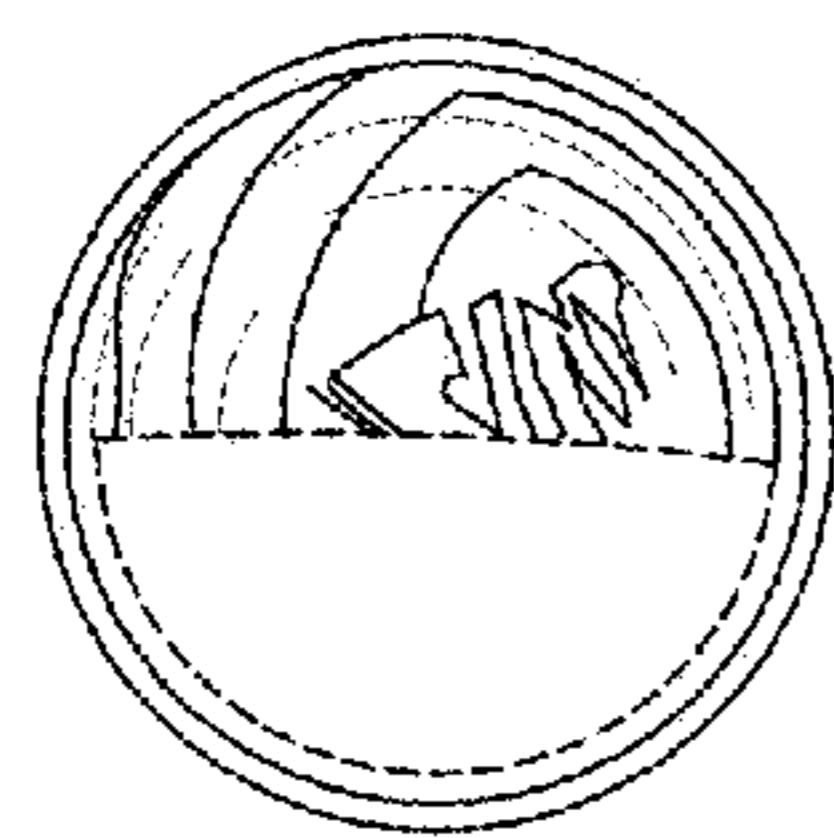


FIG. 6

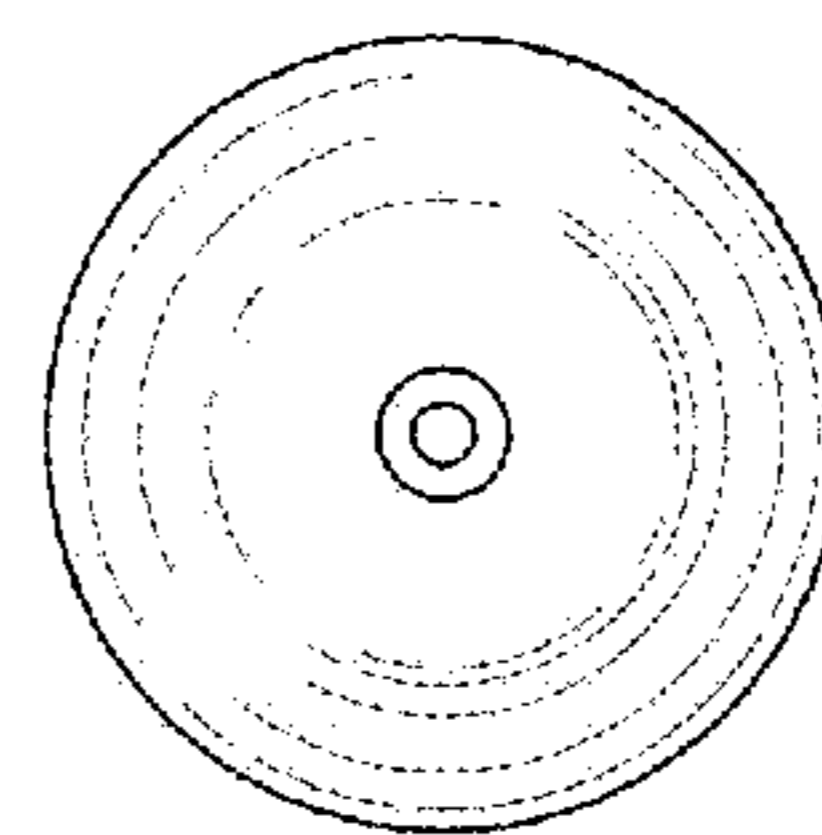


FIG. 7