

US00D668015S

(12) **United States Design Patent**
Lynch

(10) **Patent No.:** **US D668,015 S**

(45) **Date of Patent:** **** Sep. 25, 2012**

- (54) **MONEY COMPACT CASE**
- (76) Inventor: **Phyllis Lynch**, Bohemia, NY (US)
- (**) Term: **14 Years**
- (21) Appl. No.: **29/421,017**
- (22) Filed: **May 5, 2012**

- 5,055,079 A * 10/1991 Hobson et al. 446/8
- D338,316 S 8/1993 Nakau
- D338,761 S 8/1993 Hector
- D359,832 S * 6/1995 Woolrich D99/34
- D393,530 S * 4/1998 Perkitny D99/34
- 5,827,117 A * 10/1998 Naas 453/9
- D416,660 S * 11/1999 Lin D23/226

(Continued)

Related U.S. Application Data

- (63) Continuation-in-part of application No. 29/346,196, filed on Oct. 28, 2009, now abandoned.
 - (51) **LOC (9) Cl.** **99-00**
 - (52) **U.S. Cl.** **D99/34**
 - (58) **Field of Classification Search** D99/28, D99/34, 35, 36, 37, 99; D3/304, 310, 311, D3/312, 313, 20, 201, 203.3, 272, 314, 901, D7/903; D24/230; D18/3.1, 3.2, 3.3; D7/500, D7/501, 550.1, 553.1, 553.6, 553.7, 553.8, D7/555; 53/254, 212; 206/0.8, 0.81, 0.815, 206/0.82, 0.83, 0.84; 232/1 D, 4 R, 7, 9; 453/3, 61, 63
- See application file for complete search history.

Primary Examiner — Elizabeth J Oswecki
(74) *Attorney, Agent, or Firm* — Alfred M. Walker

(57) **CLAIM**
The ornamental design for a money compact case, as shown and described.

DESCRIPTION

FIG. 1 is a perspective view of a money compact case showing my new design;

FIG. 2 is a top plan view of the money compact case as in FIG. 1;

FIG. 3 is a bottom view of the money compact case as in FIG. 1;

FIG. 4 is a front elevation view of the money compact case as in FIG. 1;

FIG. 5 is a right side elevation view of the money compact case as in FIG. 1;

FIG. 6 is a rear elevation view of the money compact case as in FIG. 1;

FIG. 7 is a left side elevation view of the money compact case as in FIG. 1; and,

FIG. 8 is a perspective view of the money compact case as in FIG. 1, shown in a used condition with one of the coin compartments opened upon lifting of the door cover therefrom, as well as the lower paper currency compartment opened upon pivoting of the door cover therefrom.

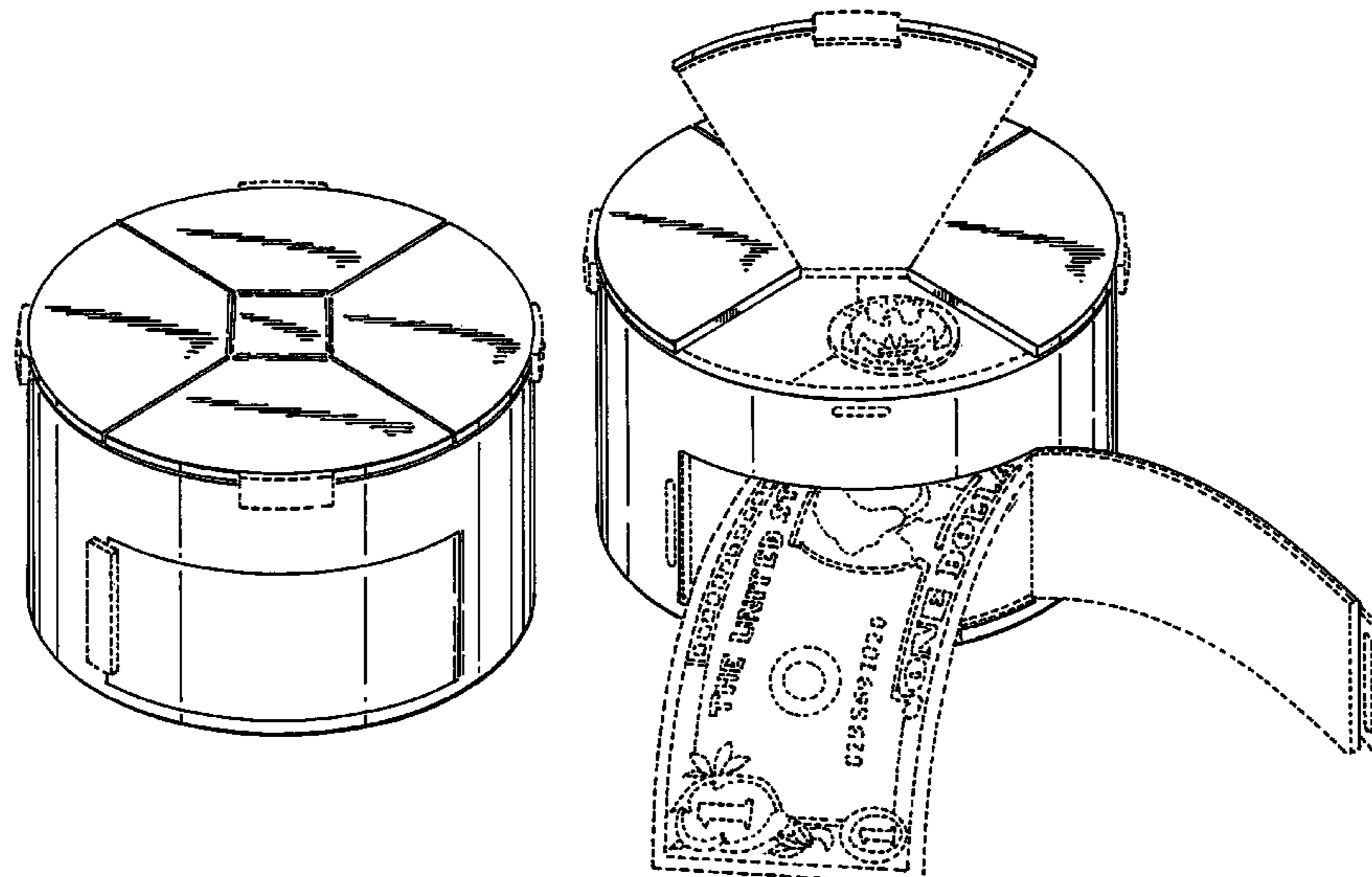
The broken lines shown in the drawings of FIGS. 1-8 represent portions of the money compact case that form no part of the claimed design.

(56) **References Cited**

U.S. PATENT DOCUMENTS

- 941,940 A * 11/1909 McCormick 109/48
- D46,201 S 8/1914 Cramer
- D65,231 S 7/1924 Connor
- 1,781,920 A 11/1930 Fisher
- D127,448 S 5/1941 Coller
- 2,498,298 A 2/1950 Frank
- 2,624,650 A * 1/1953 De Perales 312/305
- 3,105,592 A 10/1963 William
- 3,338,250 A * 8/1967 Mehelich 453/9
- 3,410,385 A * 11/1968 Freet et al. 194/232
- 3,610,177 A * 10/1971 Shapiro 109/50
- 3,762,789 A * 10/1973 Robertson 312/305
- D263,089 S 2/1982 Reaves
- D293,154 S 12/1987 McKellar
- D296,029 S 5/1988 Knox

1 Claim, 4 Drawing Sheets



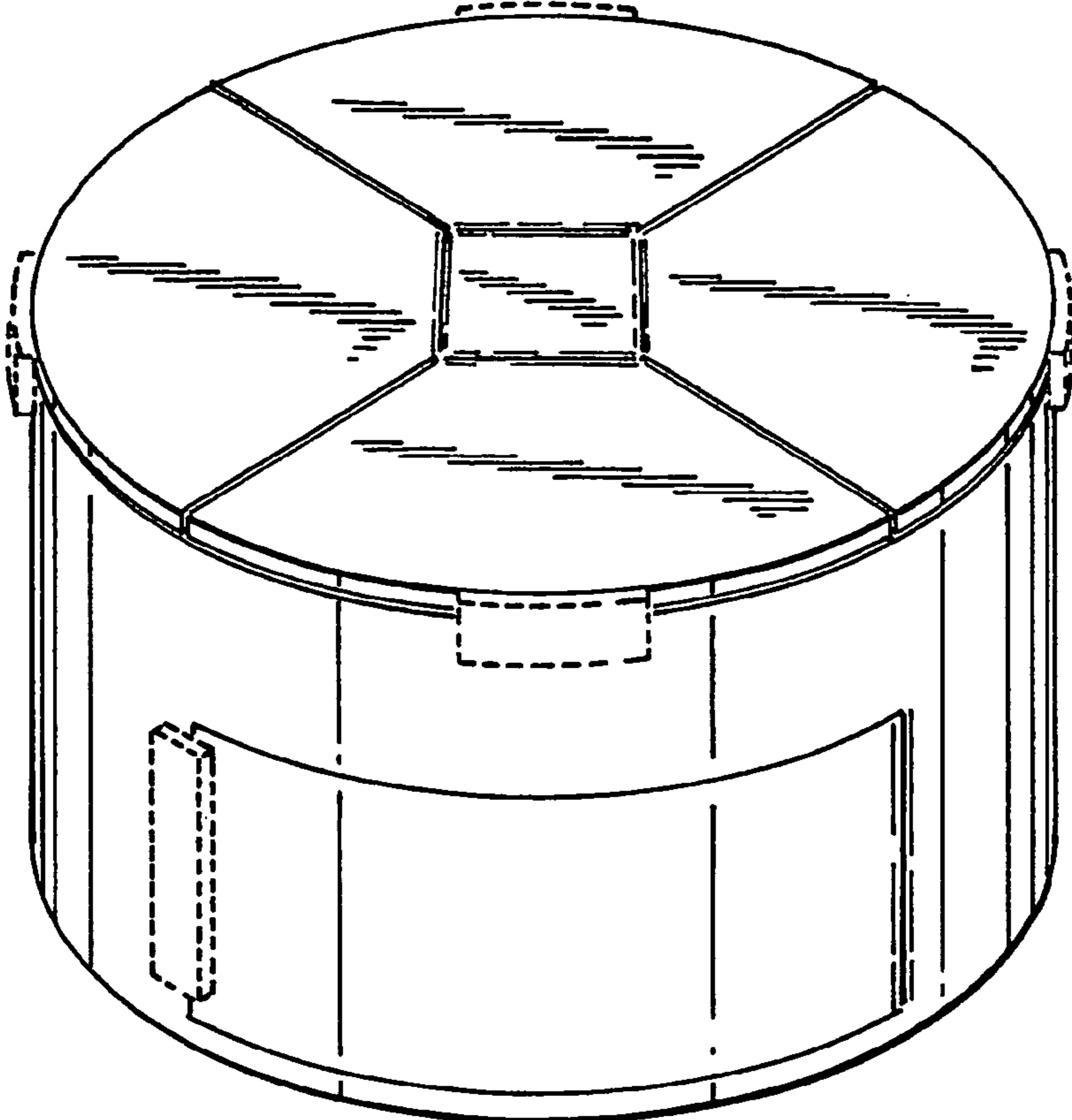


Fig. 1

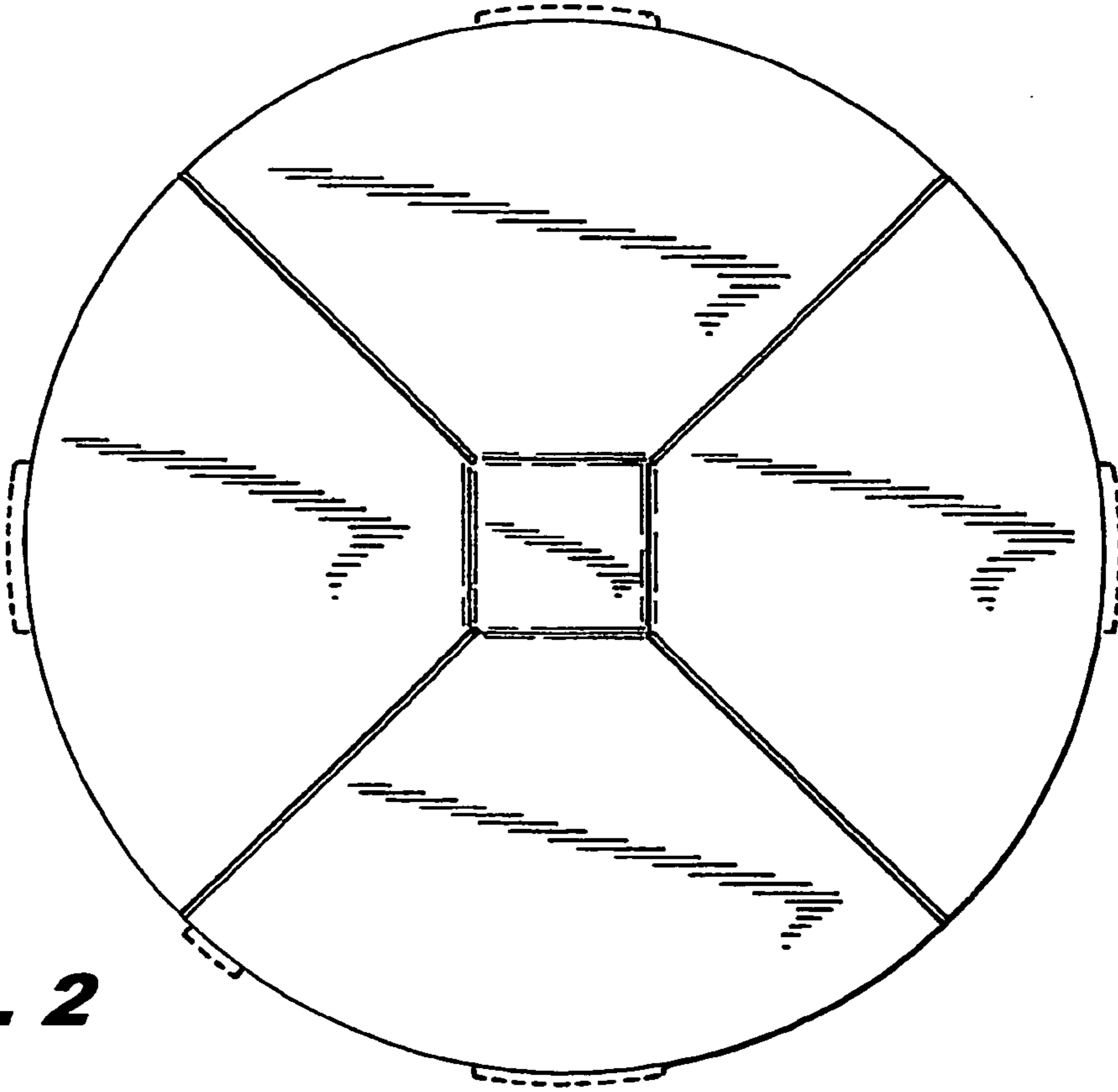


Fig. 2

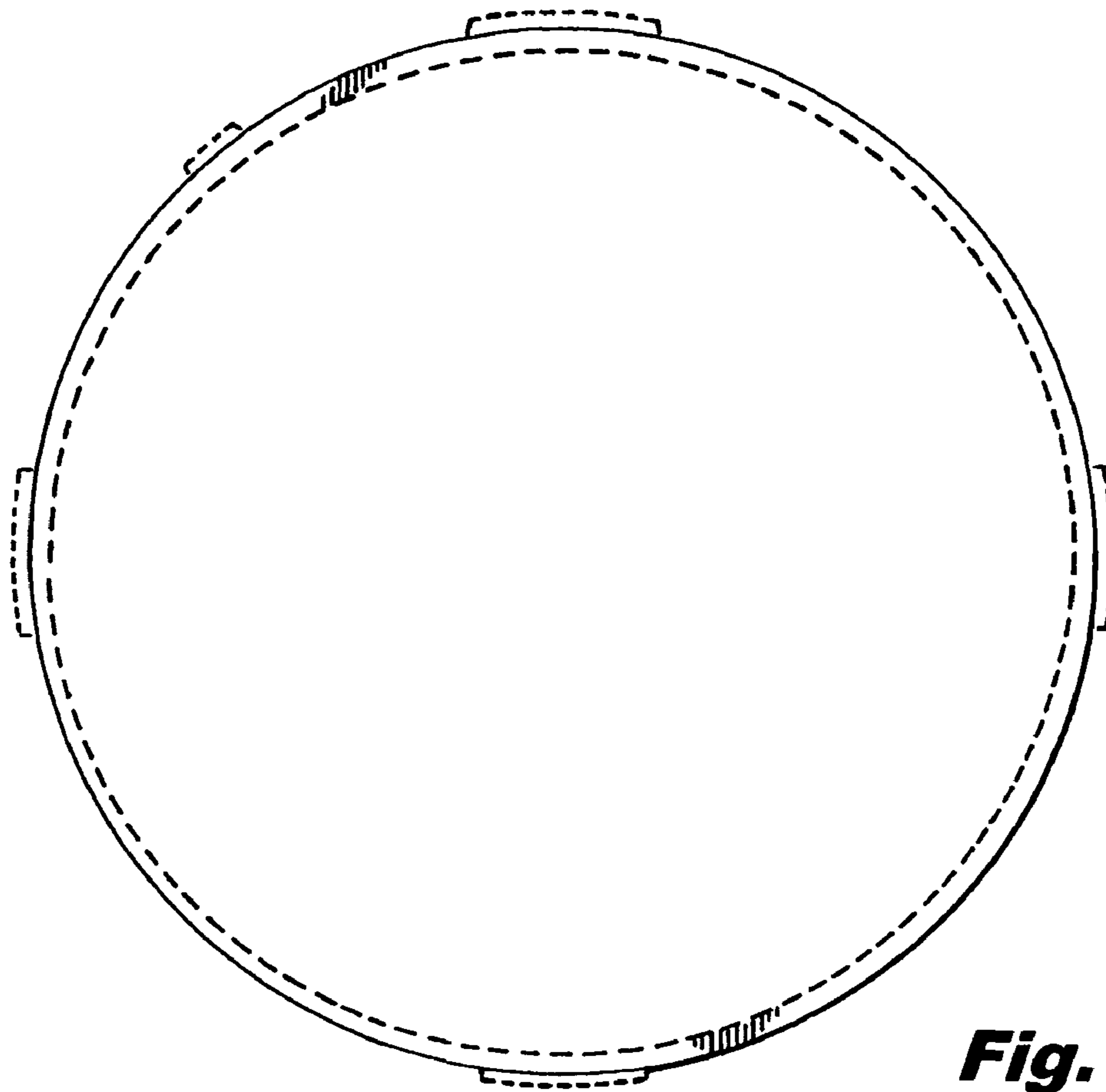


Fig. 3

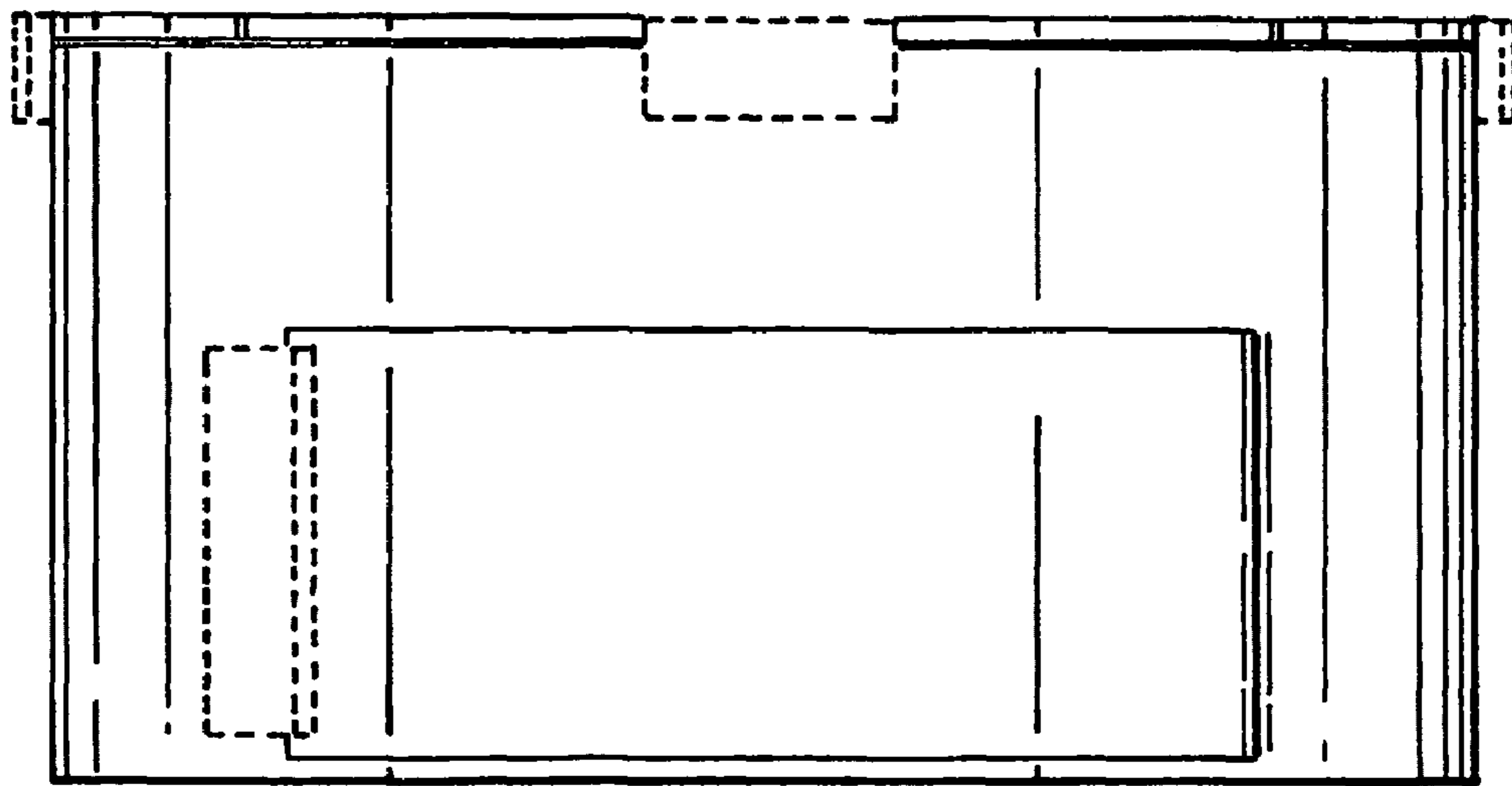


Fig. 4

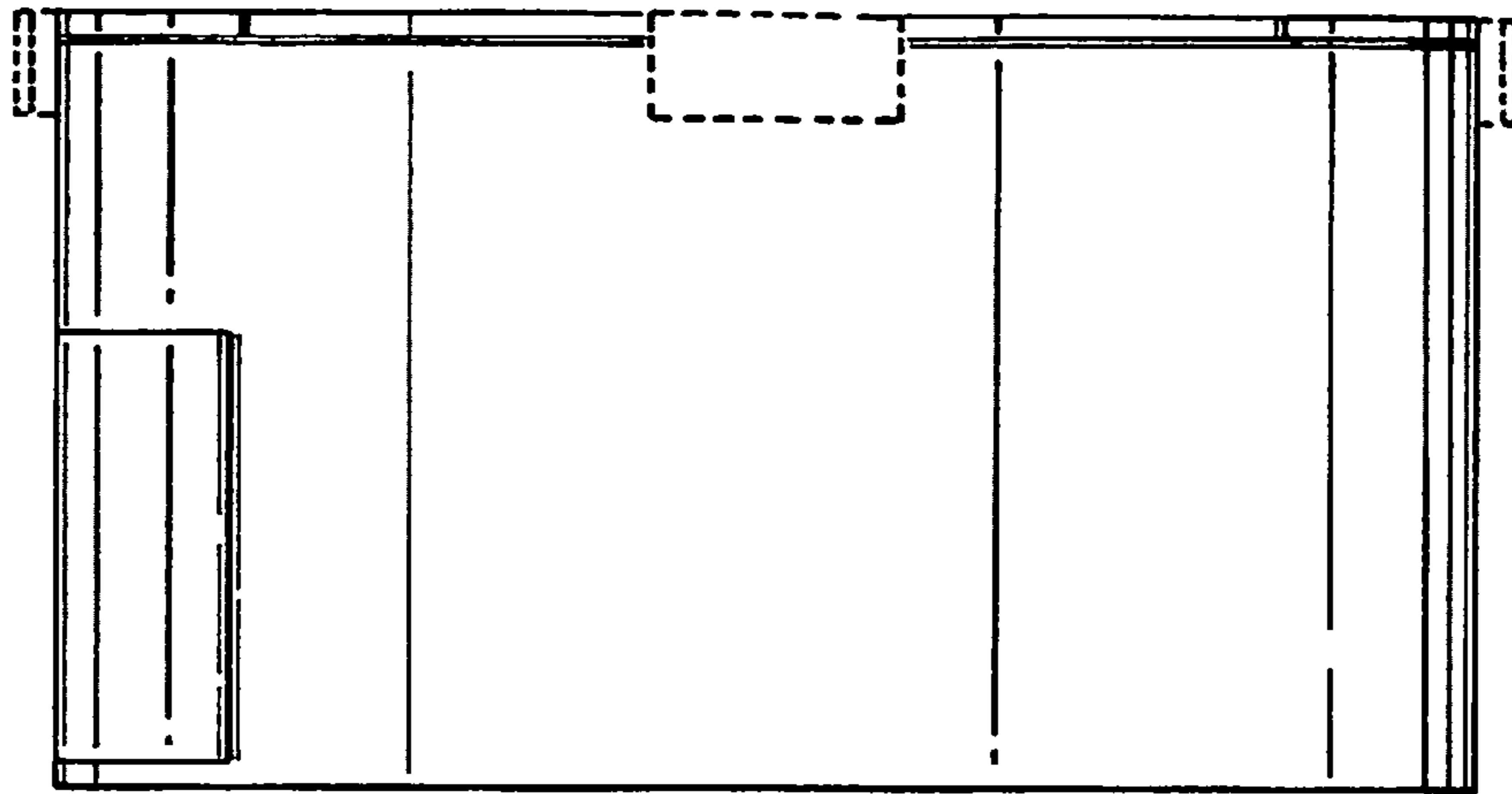


Fig. 5

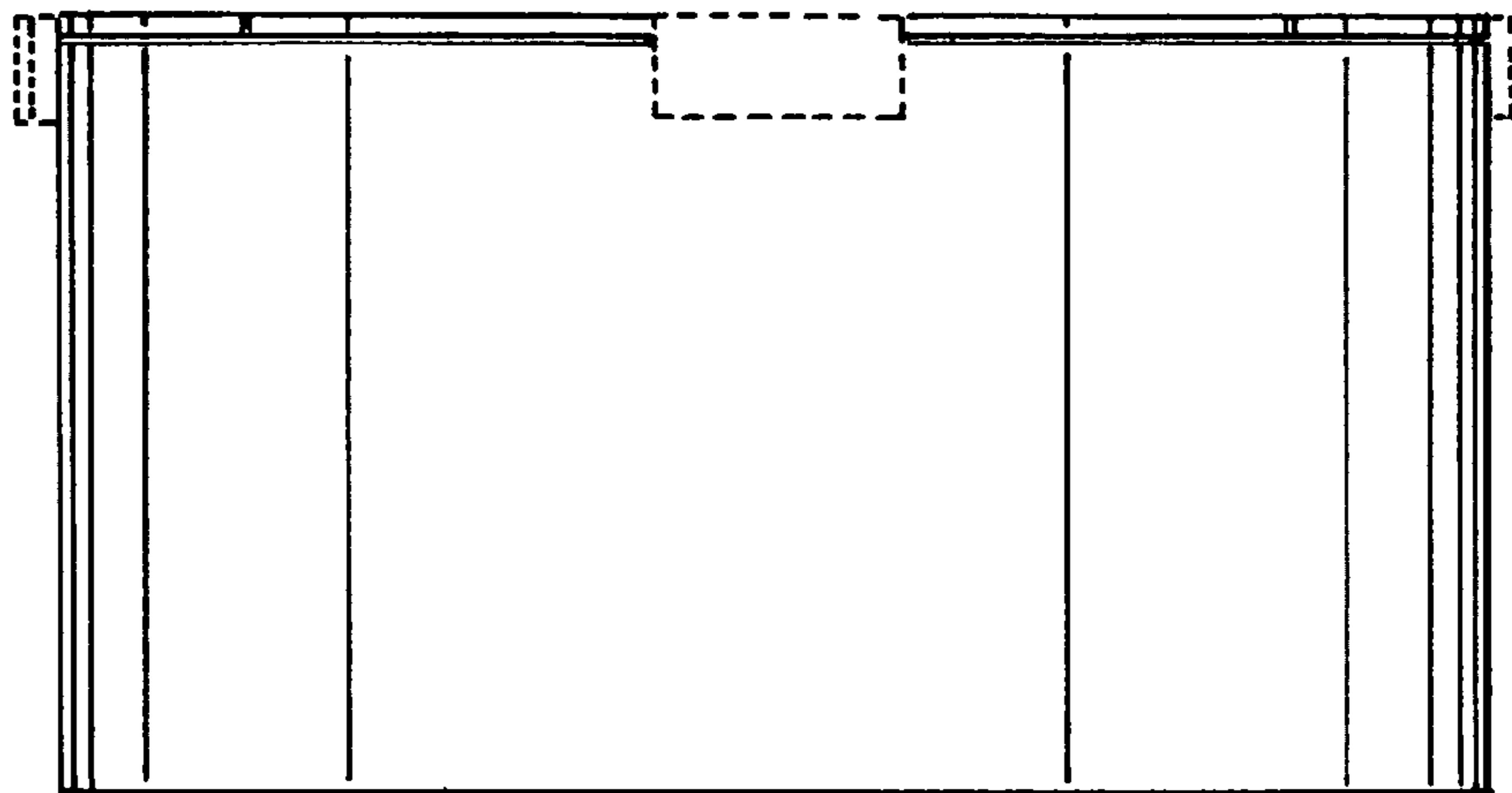


Fig. 6

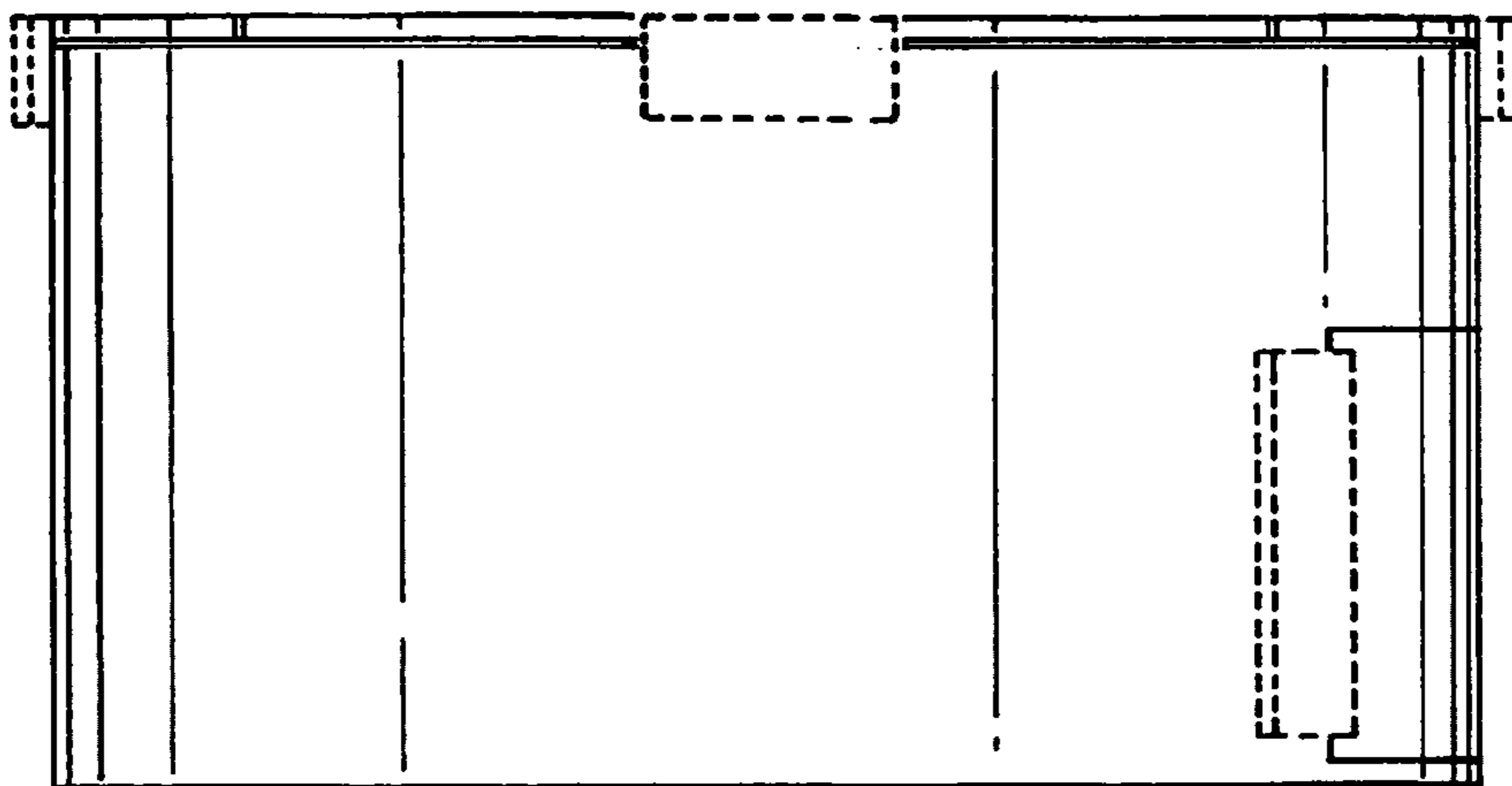


Fig. 7

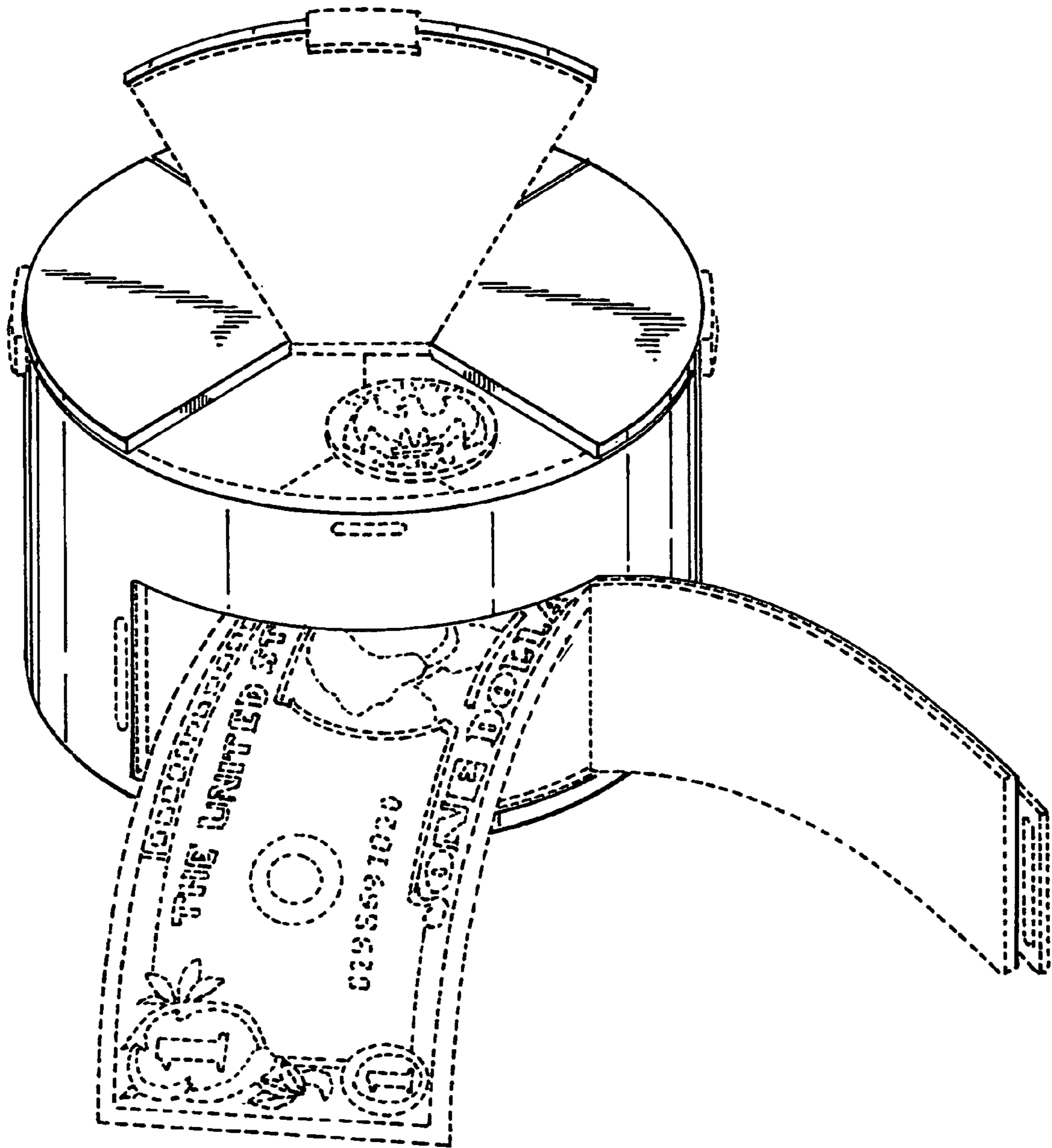


Fig. 8