



US00D668014S

(12) **United States Design Patent**
Manak

(10) **Patent No.:** **US D668,014 S**

(45) **Date of Patent:** **** Sep. 25, 2012**

(54) **PORTABLE BENCH WHEEL DOLLY**

(76) Inventor: **Jan Manak**, Fishers, IN (US)

(**) Term: **14 Years**

(21) Appl. No.: **29/408,927**

(22) Filed: **Dec. 19, 2011**

(51) **LOC (9) Cl.** **12-02**

(52) **U.S. Cl.** **D34/24**

(58) **Field of Classification Search** D34/12-27;
280/79.11, 47.11, 63, 79.1, 79.4, 79.3, 47.15;
248/649, 129; 414/429; 187/204, 203
See application file for complete search history.

(56) **References Cited**

U.S. PATENT DOCUMENTS

1,410,103	A *	3/1922	Lightner et al.	254/2 R
4,471,971	A *	9/1984	Keesler	280/79.11
4,872,694	A *	10/1989	Griesinger	280/79.4
4,976,449	A *	12/1990	Lotspeich et al.	280/79.4
5,112,070	A *	5/1992	Hahn	280/79.4
5,180,177	A *	1/1993	Maki	280/47.15
D341,239	S *	11/1993	Maki	D34/23
D366,547	S *	1/1996	Arn	D34/23
D370,109	S *	5/1996	Hodges	D34/23
D379,018	S *	4/1997	Miller	D34/28
6,789,994	B2 *	9/2004	Tortellier	414/429
D532,575	S *	11/2006	Oberg	D34/28
7,980,804	B2 *	7/2011	Snook et al.	414/427
D650,957	S *	12/2011	Erickson	D34/23
2007/0023589	A1 *	2/2007	Kaczorowski	248/129

OTHER PUBLICATIONS

“WorkStand Wheeler” Ad in “Body Shop Business”, Jul. 2011/vol. 30, No. 7; p. 14.

* cited by examiner

Primary Examiner — Cynthia Ramirez

(74) *Attorney, Agent, or Firm* — Woodard, Emhardt, Moriarty, McNett and Henry LLP

(57) **CLAIM**

The ornamental design for a portable bench wheel dolly, as shown and described.

DESCRIPTION

FIG. 1 is a front elevation view of the portable bench wheel dolly showing my new design.

FIG. 2 is a top view of the portable bench wheel dolly shown in FIG. 1.

FIG. 3 is a side elevation view of the portable bench wheel dolly as seen from the left side of FIG. 1.

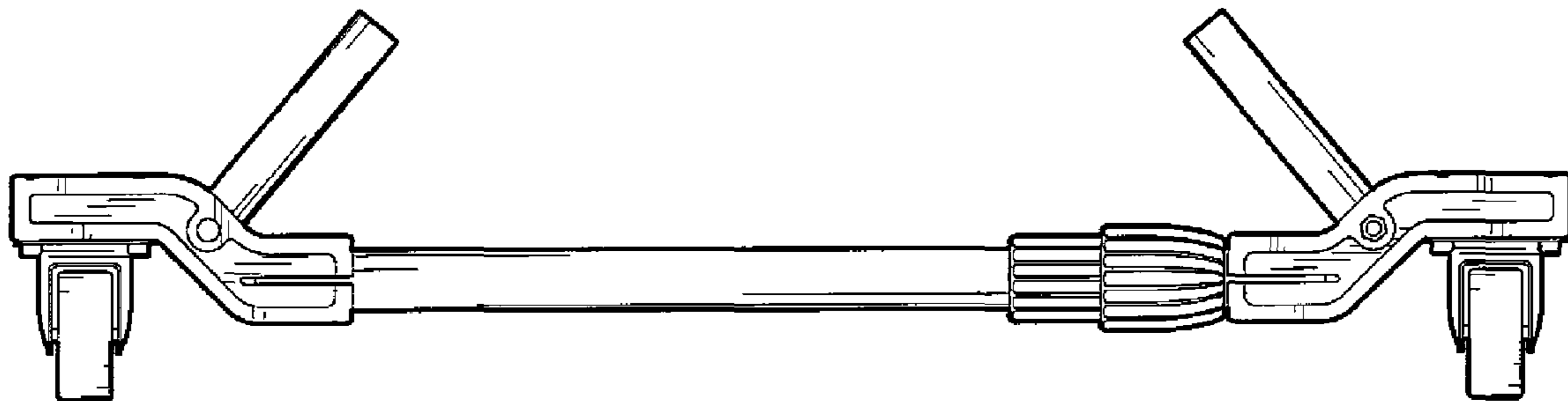
FIG. 4 is a bottom view of the portable bench wheel dolly shown in FIG. 1.

FIG. 5 is a side elevation view of the portable bench wheel dolly as seen from the right side of FIG. 1; and,

FIG. 6 is a rear elevation view of the portable bench wheel dolly shown in FIG. 1.

The broken line showing of the bench in FIG. 6 is included for the purpose of illustrating environmental structure and forms no part of the claimed design.

1 Claim, 2 Drawing Sheets



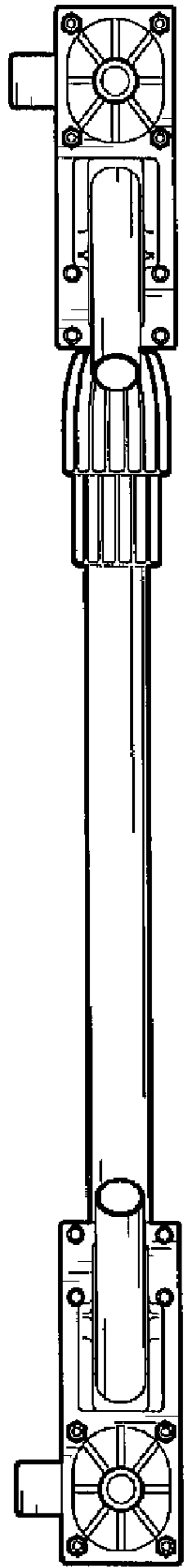


Fig. 2



Fig. 1

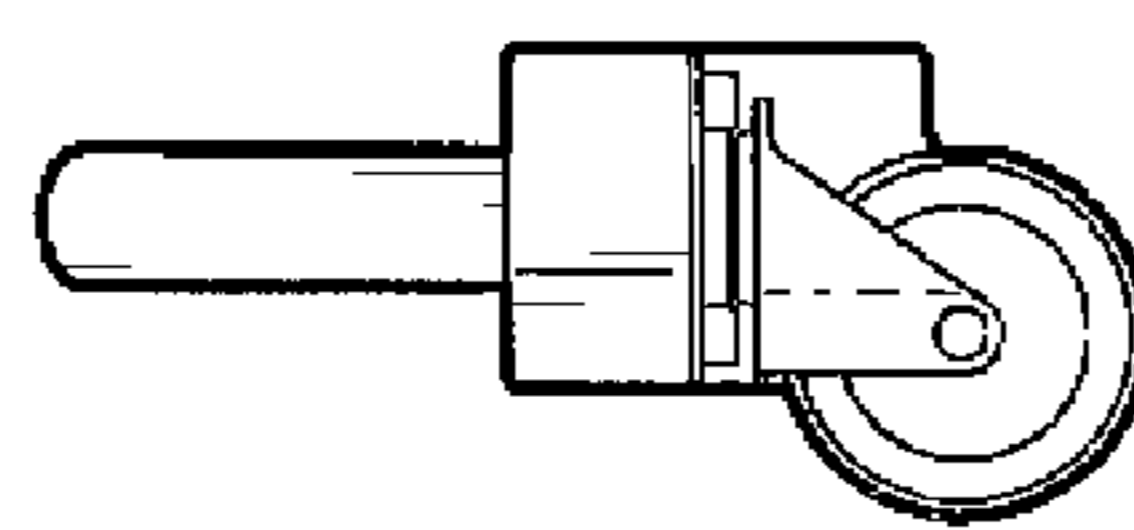


Fig. 3

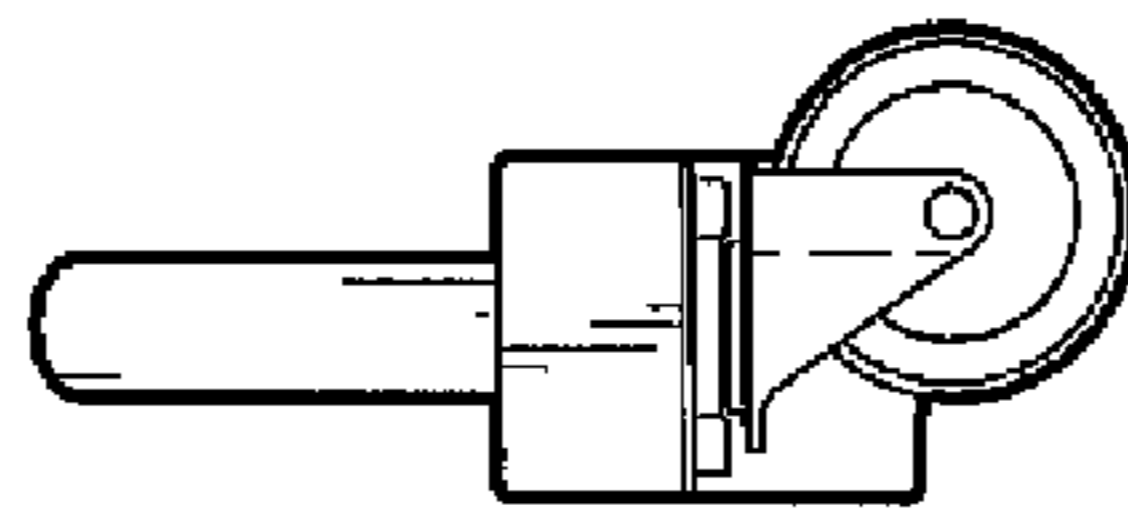


Fig. 5



Fig. 4

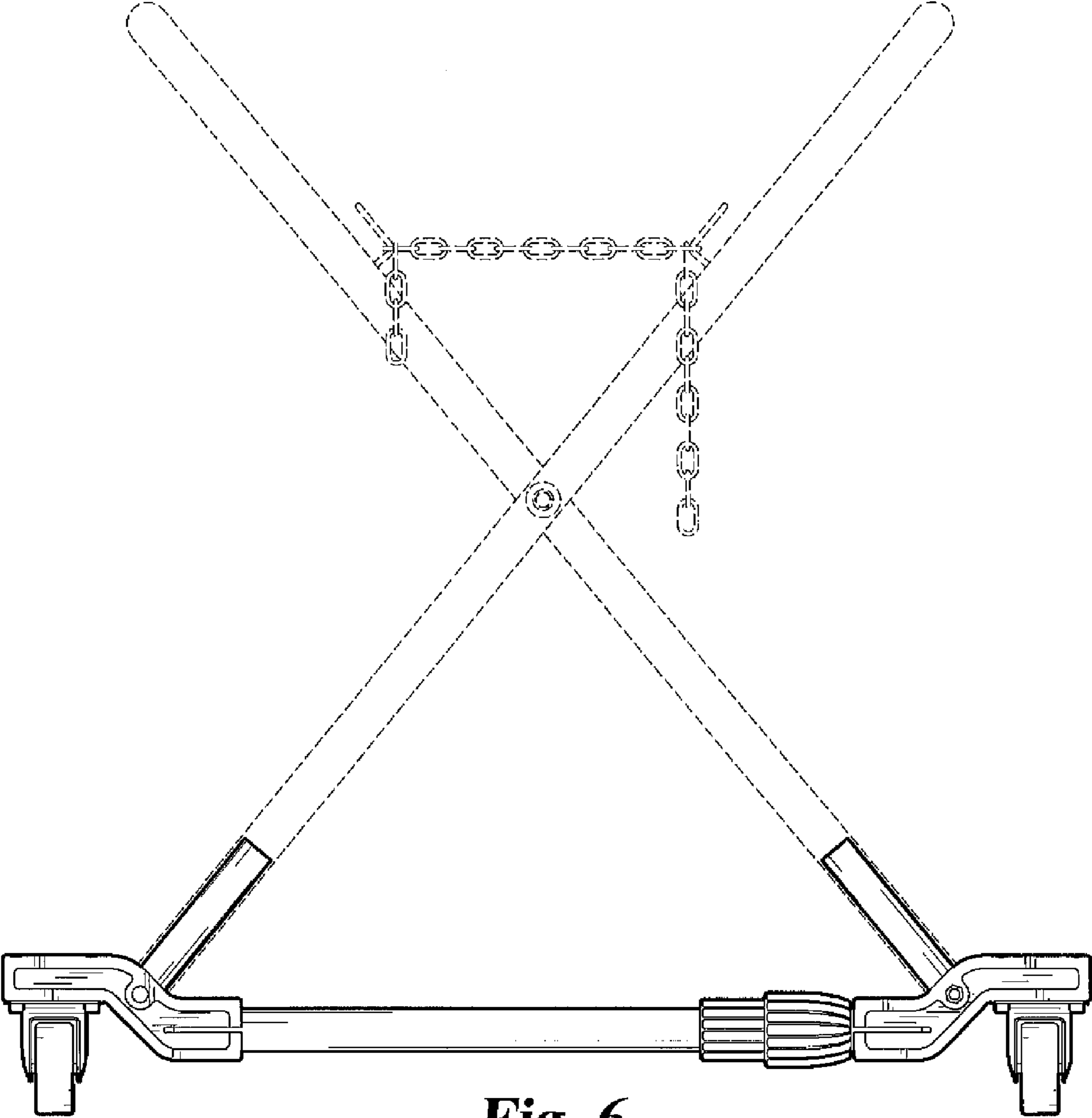


Fig. 6