



US00D668012S

(12) **United States Design Patent**  
**Seibert**

(10) **Patent No.:** **US D668,012 S**

(45) **Date of Patent:** **\*\* Sep. 25, 2012**

(54) **APPLICATOR PAD**

(76) **Inventor:** **Kathy Seibert**, Somerset, WI (US)

(\*\*) **Term:** **14 Years**

(21) **Appl. No.:** **29/406,786**

(22) **Filed:** **Nov. 18, 2011**

(51) **LOC (9) Cl.** ..... **04-01**

(52) **U.S. Cl.** ..... **D32/40**

(58) **Field of Classification Search** ..... D32/40-45,  
D32/50; 15/208, 209.1, 228, 244.1-244.4;  
D4/137

See application file for complete search history.

(56) **References Cited**

U.S. PATENT DOCUMENTS

769,541	A	*	9/1904	Greeder	.....	15/209.1
5,412,829	A		5/1995	Hefner		
D439,748	S		4/2001	Woodnorth et al.		
D576,367	S	*	9/2008	Anderson et al.	.....	D32/50

D609,870	S	*	2/2010	Hilger et al.	.....	D32/40
2004/0158949	A1		8/2004	Booth et al.		
2011/0117284	A1		5/2011	Sandahl et al.		

\* cited by examiner

*Primary Examiner* — Robin V Webster

(74) *Attorney, Agent, or Firm* — Kagan Binder, PLLC

(57) **CLAIM**

The ornamental design for an applicator pad, as shown and described.

**DESCRIPTION**

FIG. 1 is a perspective view of an applicator pad showing my new design.

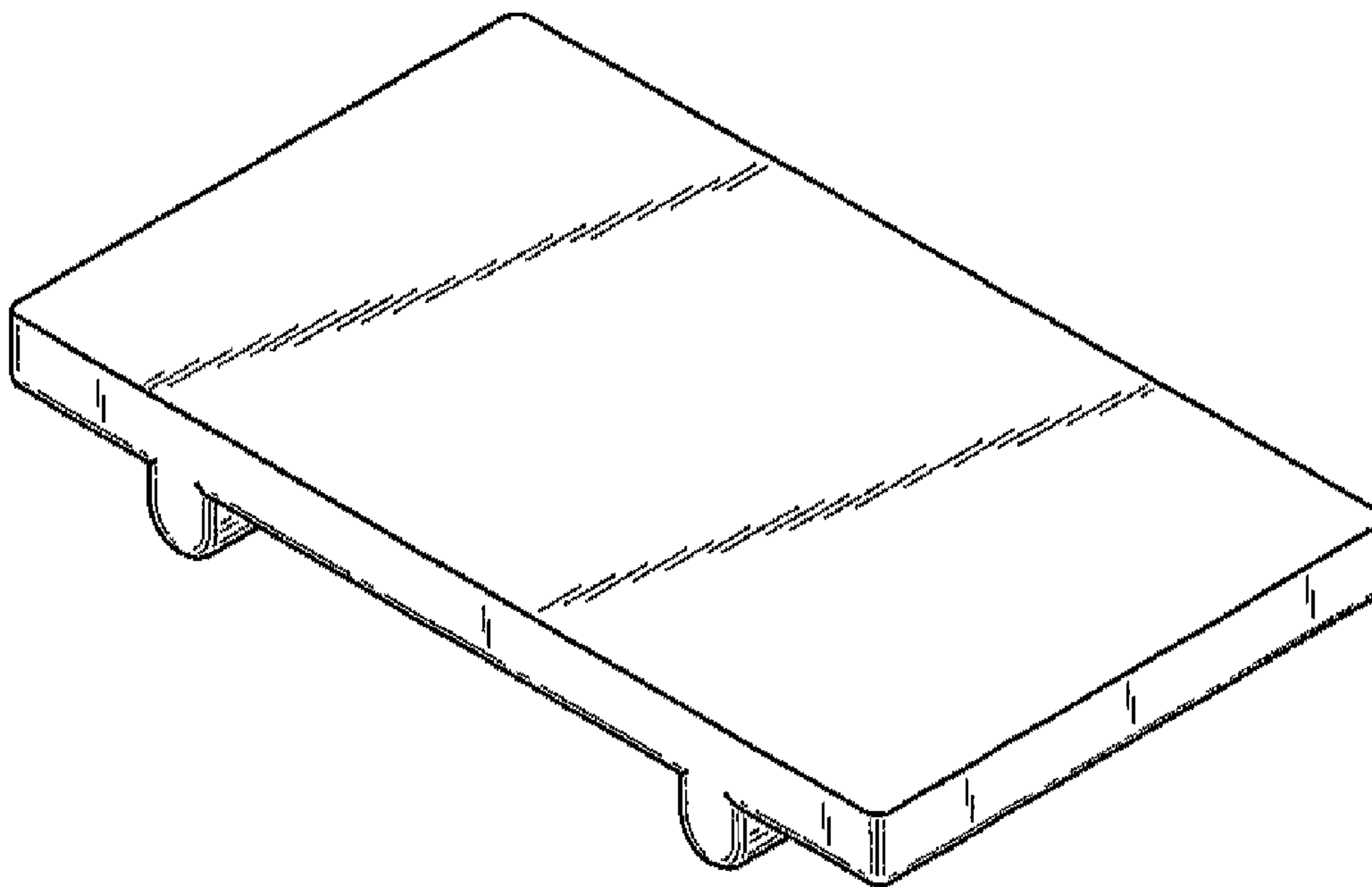
FIG. 2 is a top view of the applicator pad of FIG. 1.

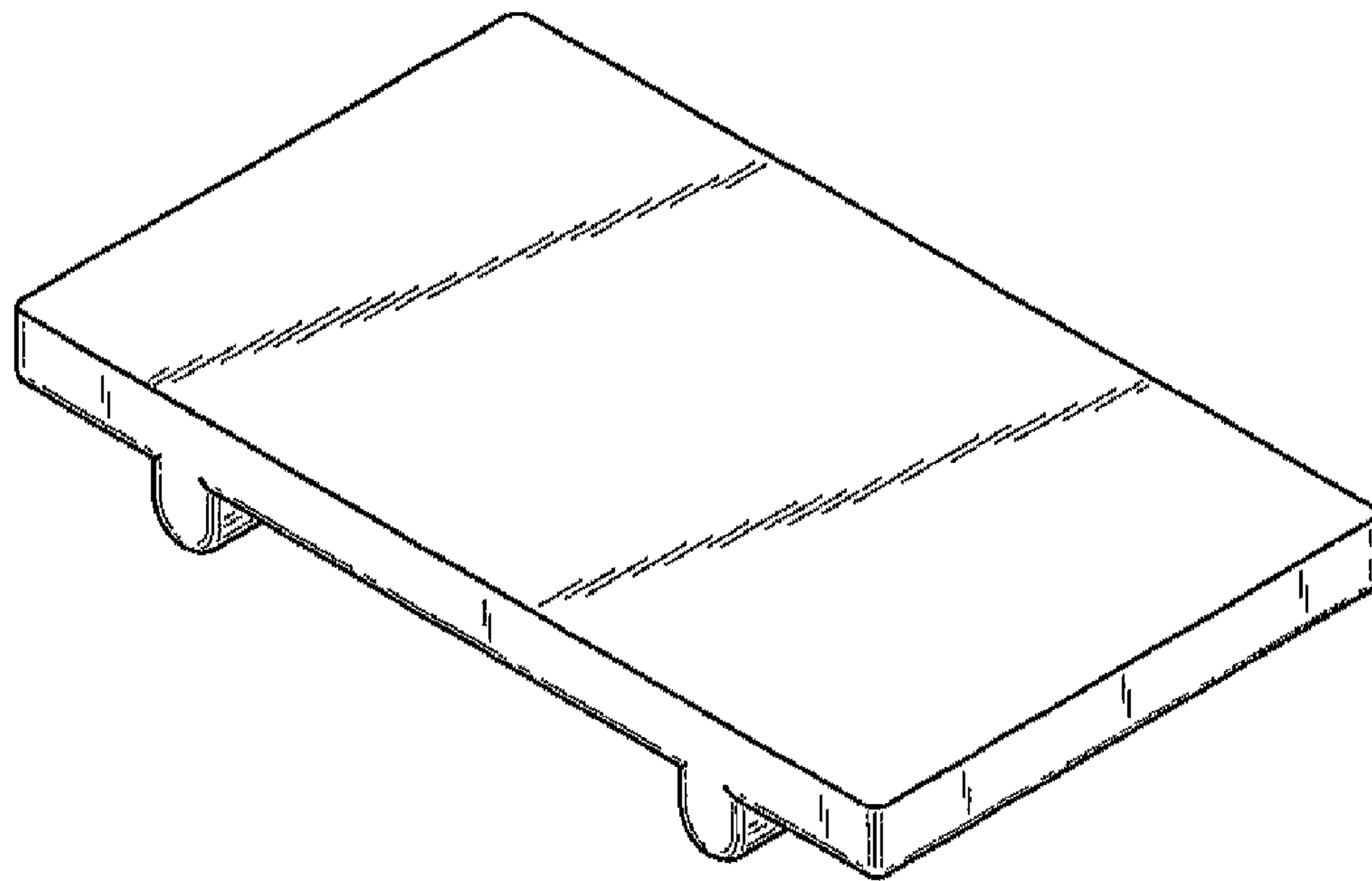
FIG. 3 is a bottom view of the applicator pad of FIG. 1.

FIG. 4 is a front view of the applicator pad of FIG. 1, with the back view being the same; and,

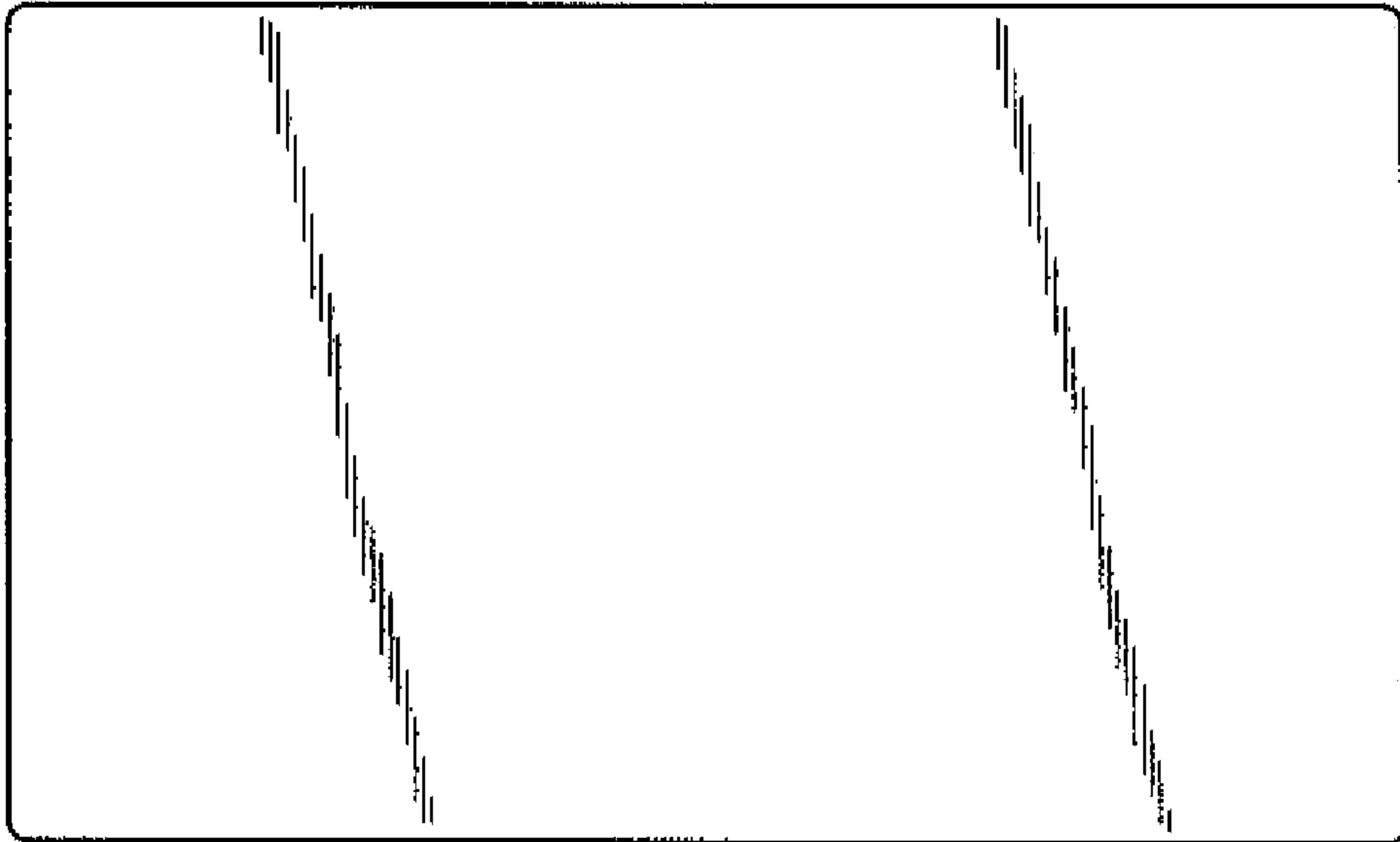
FIG. 5 is a right side view of the applicator pad of FIG. 1, with the left side view being the same.

**1 Claim, 3 Drawing Sheets**

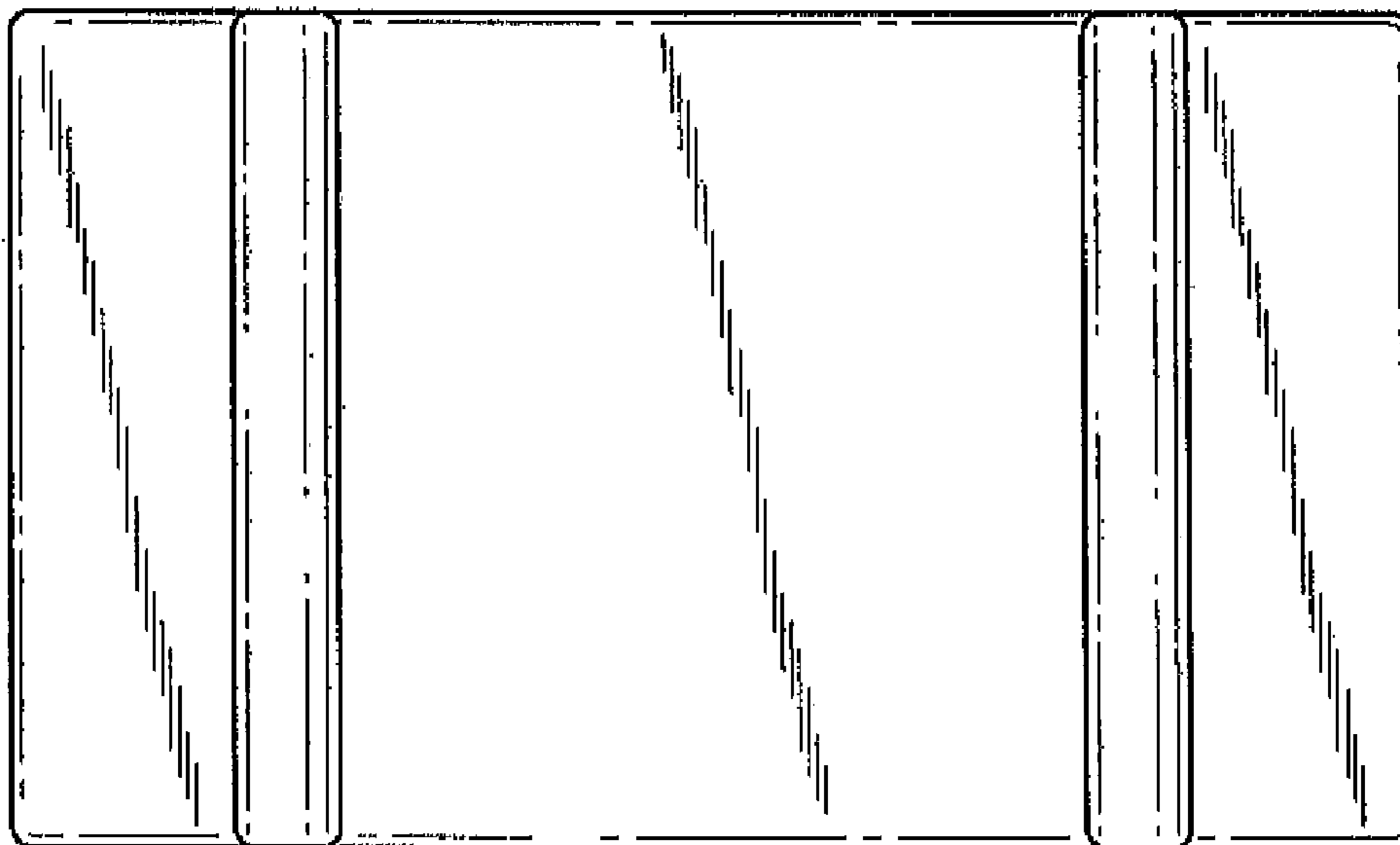




**Fig. 1**



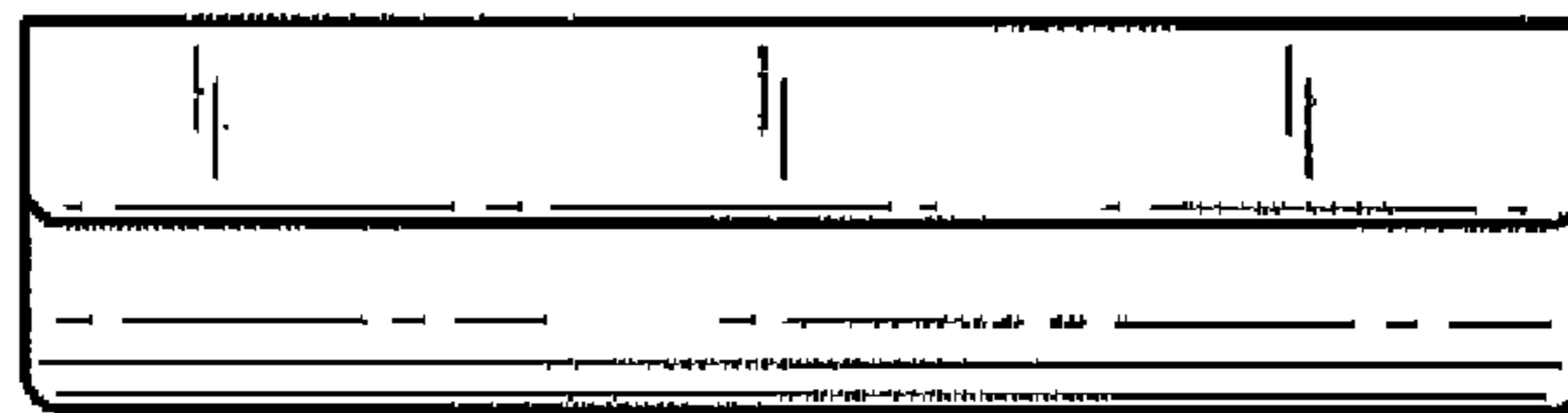
**Fig. 2**



**Fig. 3**



**Fig. 4**



**Fig. 5**