



US00D668009S

(12) **United States Design Patent**
Soderlund

(10) **Patent No.:** **US D668,009 S**

(45) **Date of Patent:** **** Sep. 25, 2012**

(54) **DOG WASTE BAG**

(76) **Inventor:** **Mark Edward Soderlund**, Green Bay,
WI (US)

(**) **Term:** **14 Years**

(21) **Appl. No.:** **29/408,169**

(22) **Filed:** **Dec. 7, 2011**

(51) **LOC (9) Cl.** **30-99**

(52) **U.S. Cl.** **D30/162**

(58) **Field of Classification Search** D30/161-162,
D30/199; D3/244, 201, 231, 243, 245, 251,
D3/268, 290, 303; D9/702-703, 705-707;
229/175, 132; 119/161, 867, 869, 163, 166,
119/171, 174; 294/1.3, 1.5, 25, 50.6, 176,
294/180

See application file for complete search history.

(56) **References Cited**

U.S. PATENT DOCUMENTS

D28,239	S	*	2/1898	Millhiser	D3/303
3,786,780	A	*	1/1974	Pezzino	294/1.5
4,964,188	A	*	10/1990	Olson	294/1.3
5,000,500	A	*	3/1991	Almog	294/1.3
RE35,814	E	*	6/1998	Olson	294/1.3
D399,708	S	*	10/1998	Grissom	D9/706

D525,877	S	*	8/2006	Wingfield	D9/706
D584,054	S	*	1/2009	Massie	D3/303
7,753,322	B1	*	7/2010	Peterson	294/1.3
7,845,694	B1	*	12/2010	Lockwood	294/1.3
D651,767	S	*	1/2012	Dias	D30/199
D652,183	S	*	1/2012	Hall et al.	D30/162

* cited by examiner

Primary Examiner — Wan Laymon

(74) *Attorney, Agent, or Firm* — Steven H. Greenfield;
Greenfield Invention and Patent Consulting, Inc.

(57) **CLAIM**

The ornamental design for a dog waste bag, as shown and described.

DESCRIPTION

FIG. 1 is a top perspective view of a dog waste bag showing my new design;
FIG. 2 is a bottom perspective view thereof;
FIG. 3 is a side perspective view thereof;
FIG. 4 is a first side view thereof;
FIG. 5 is a front view thereof;
FIG. 6 is a rear view thereof;
FIG. 7 is a bottom view thereof; and,
FIG. 8 is a second side view thereof.

1 Claim, 8 Drawing Sheets

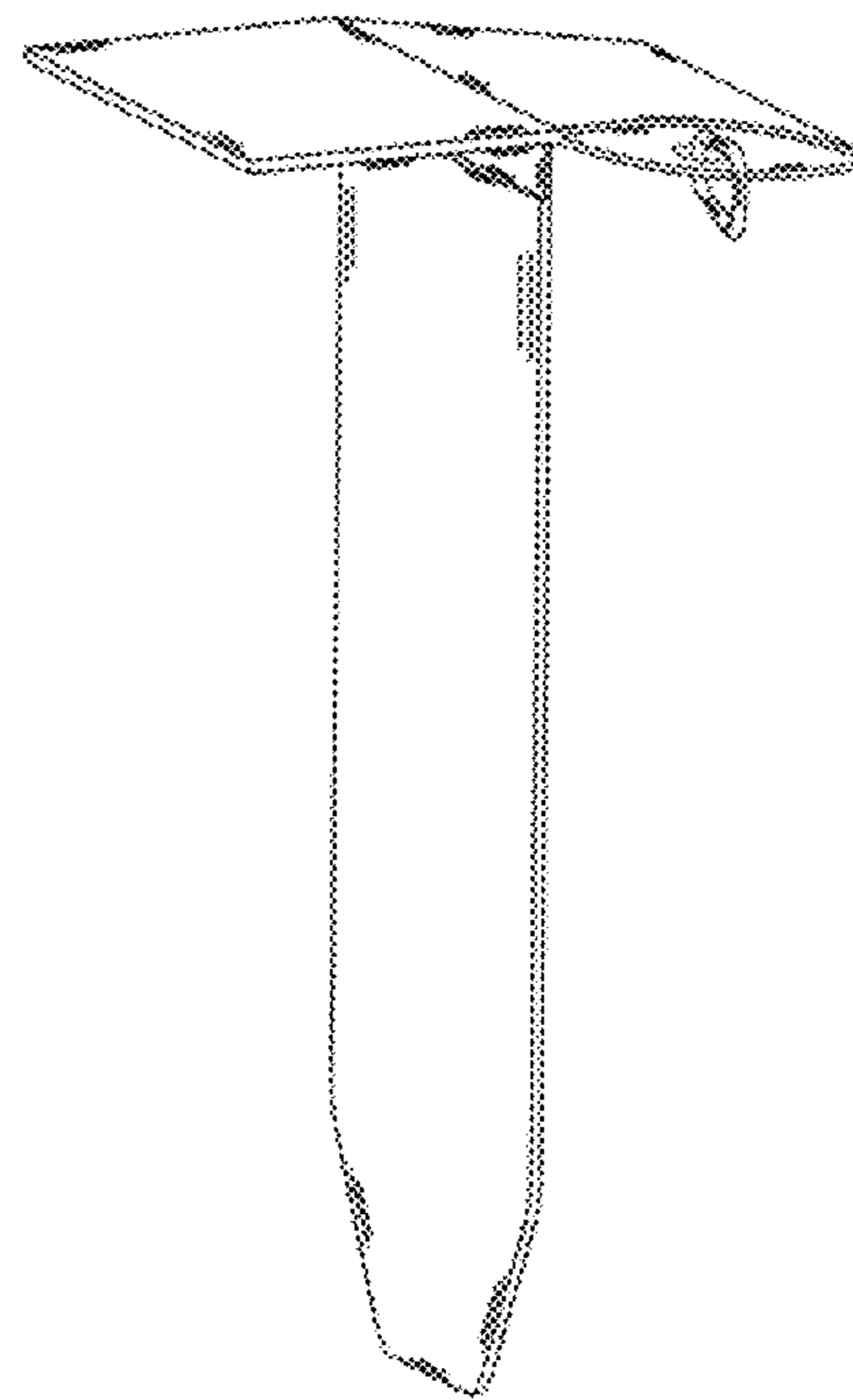
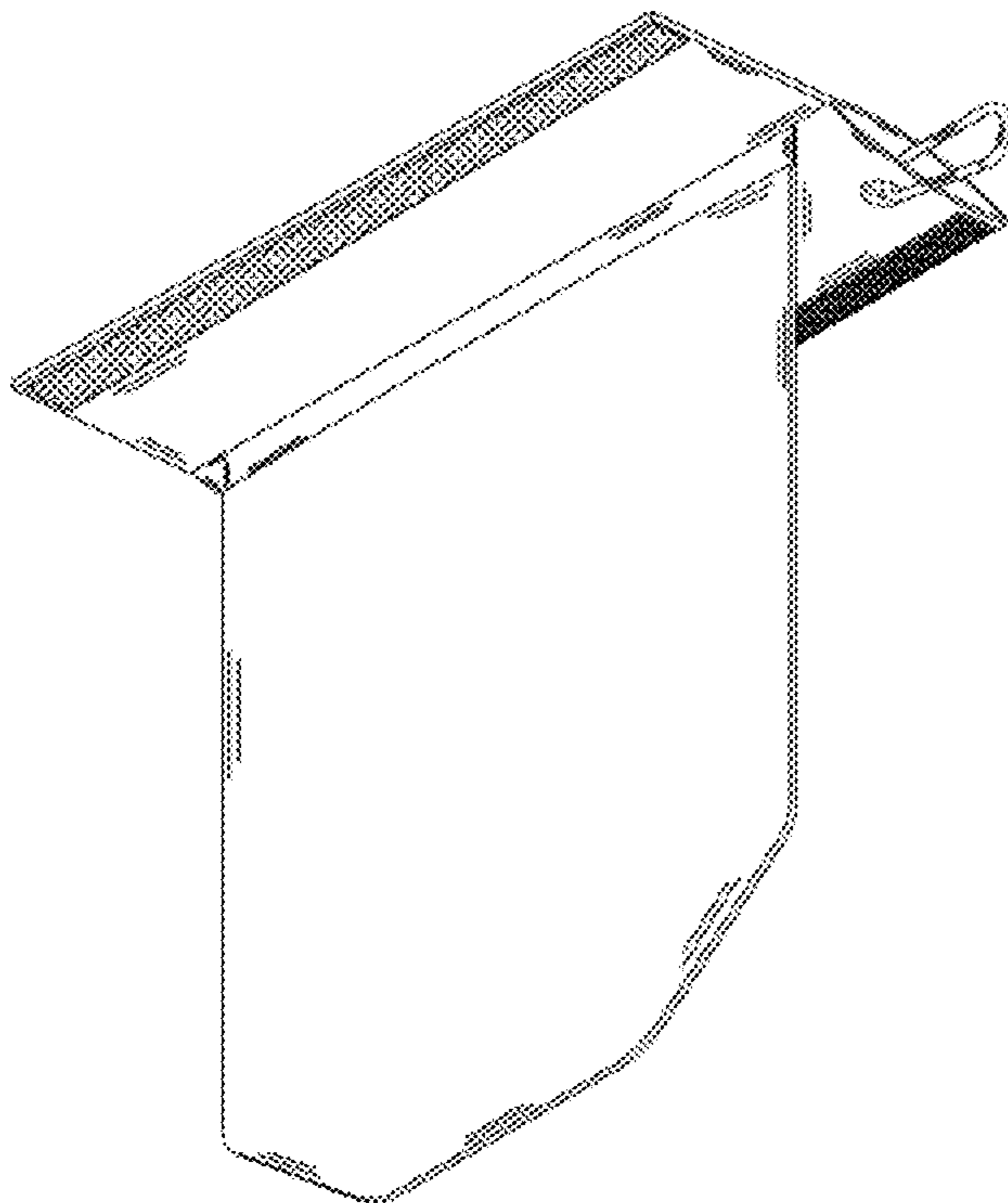


FIG. 1

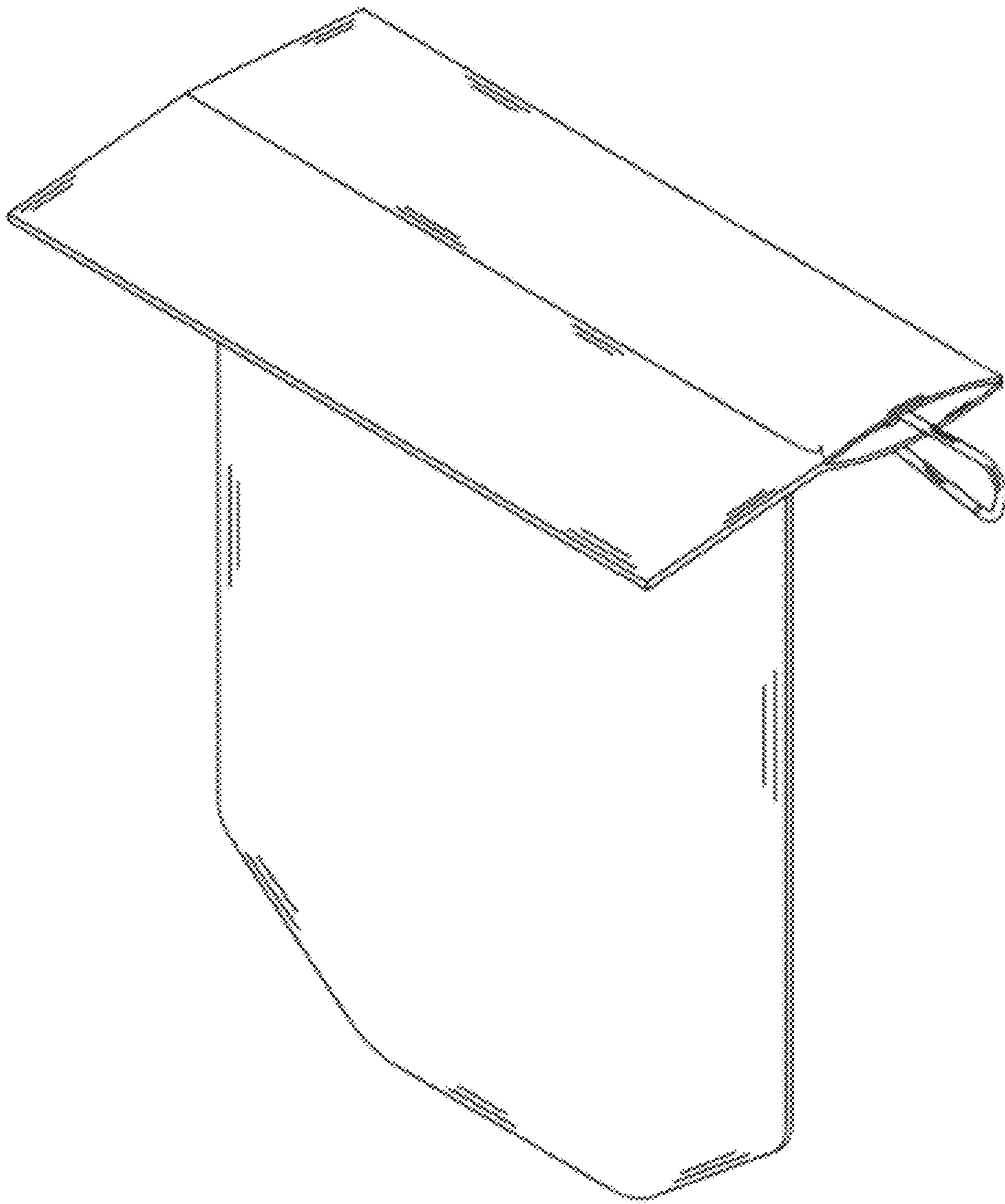


FIG. 2

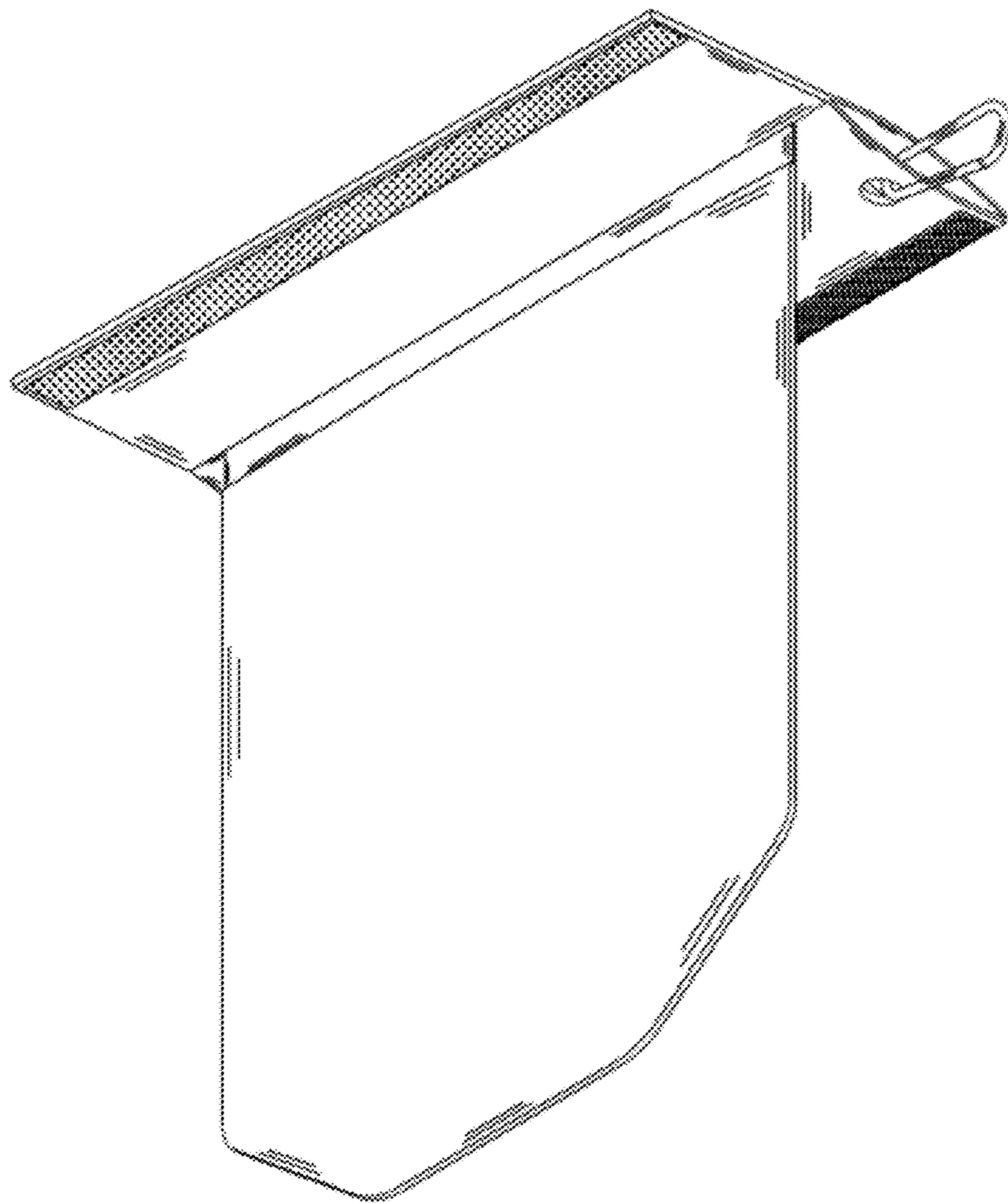


FIG. 3

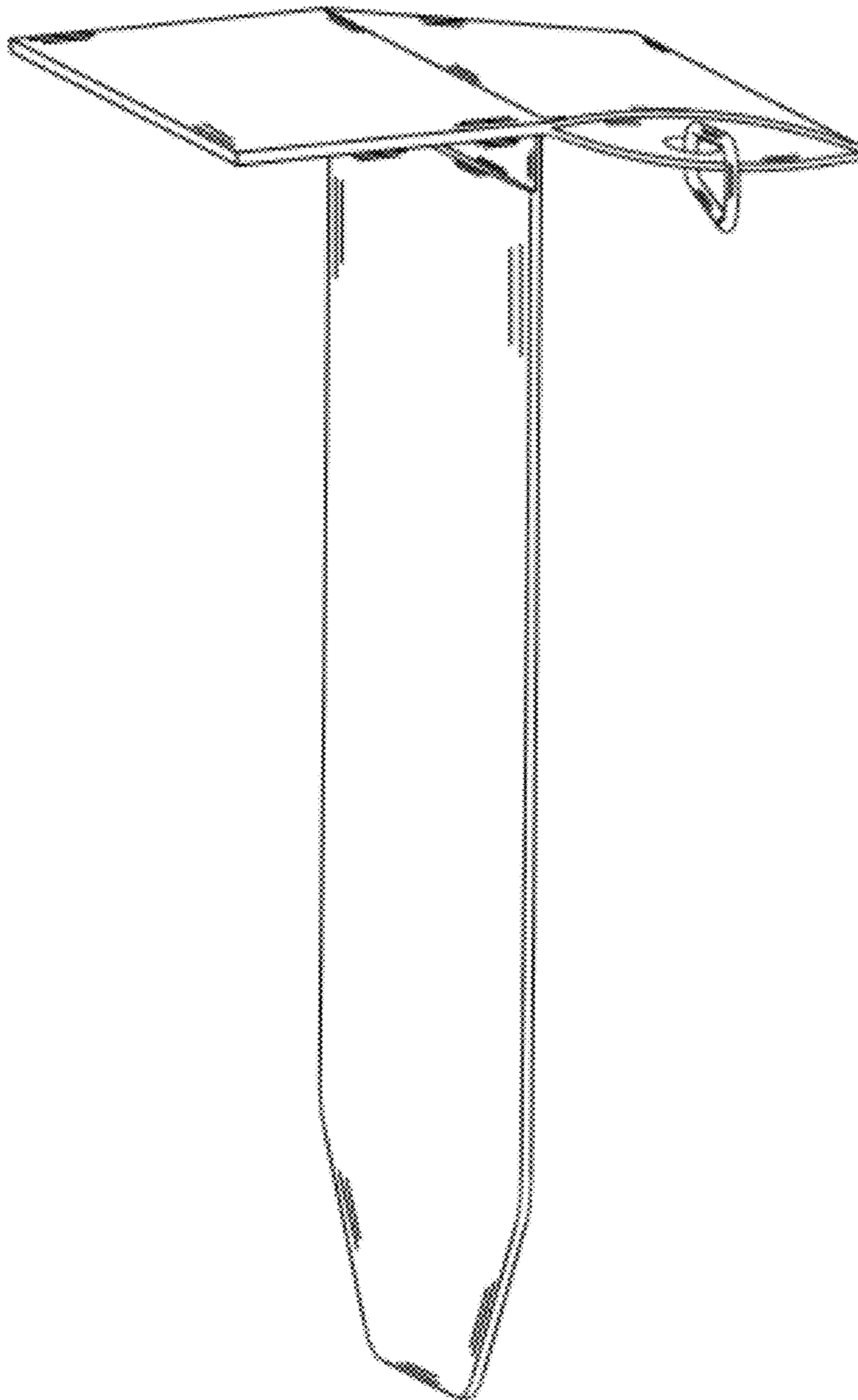


FIG. 4

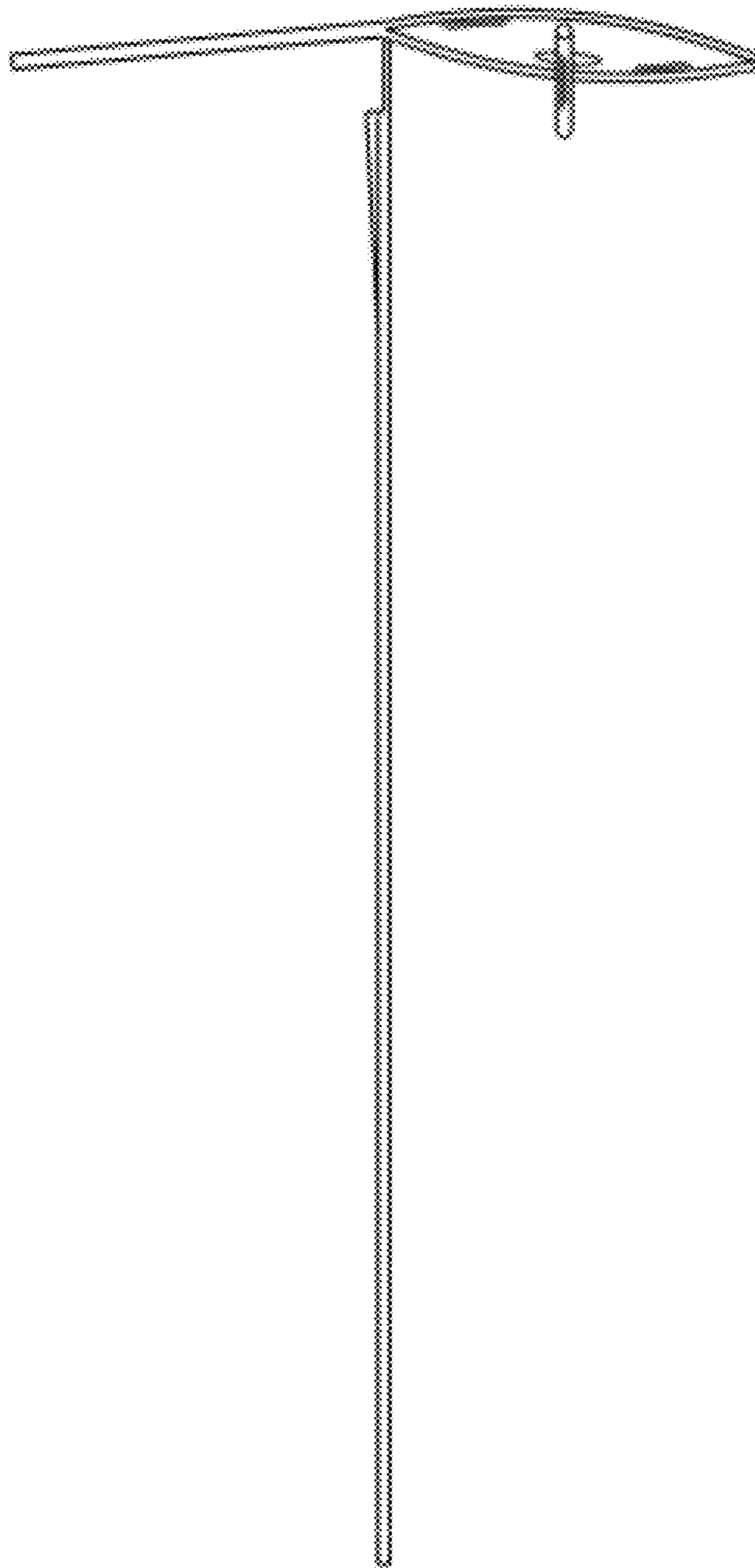


FIG. 5

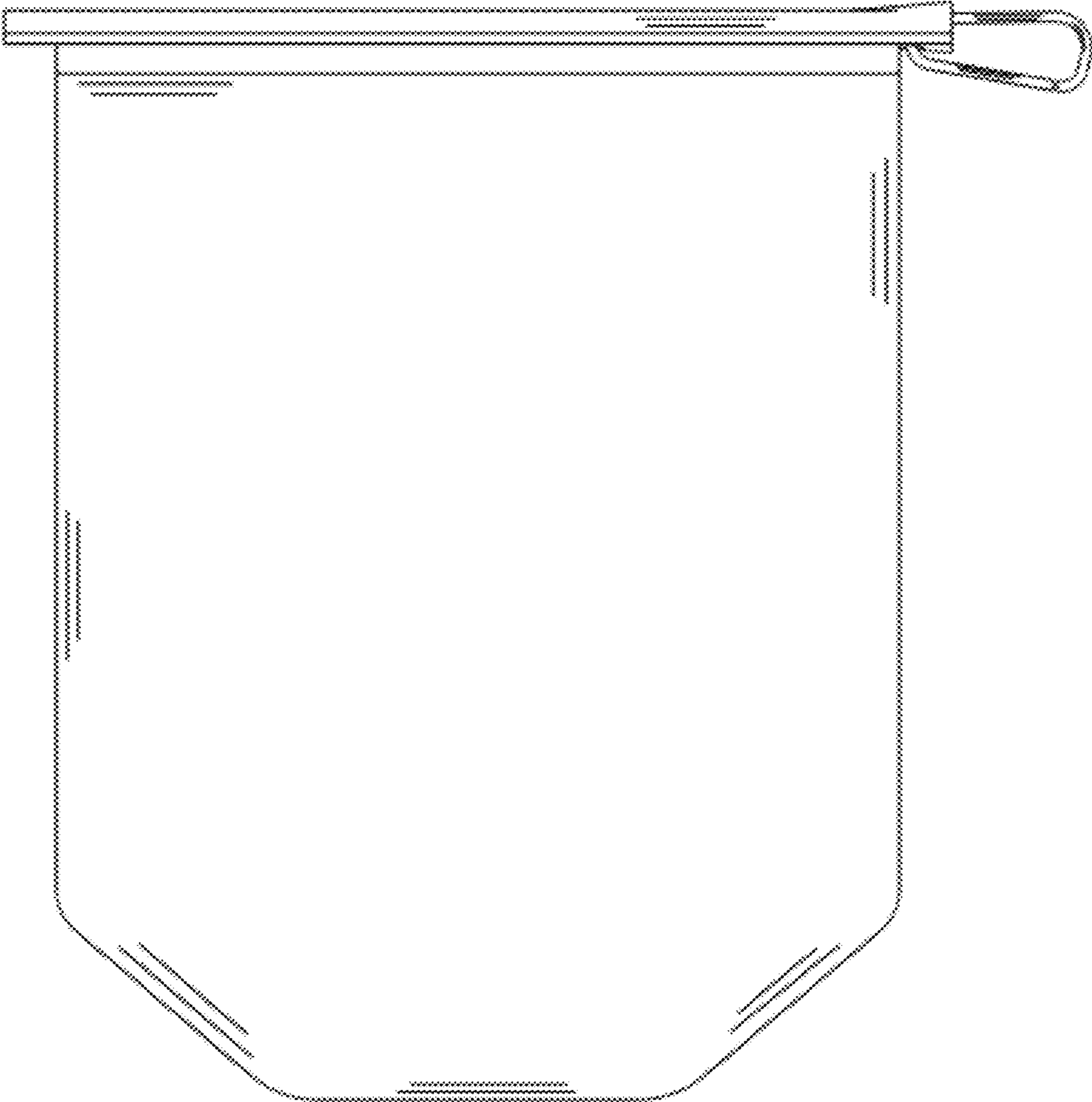


FIG. 6

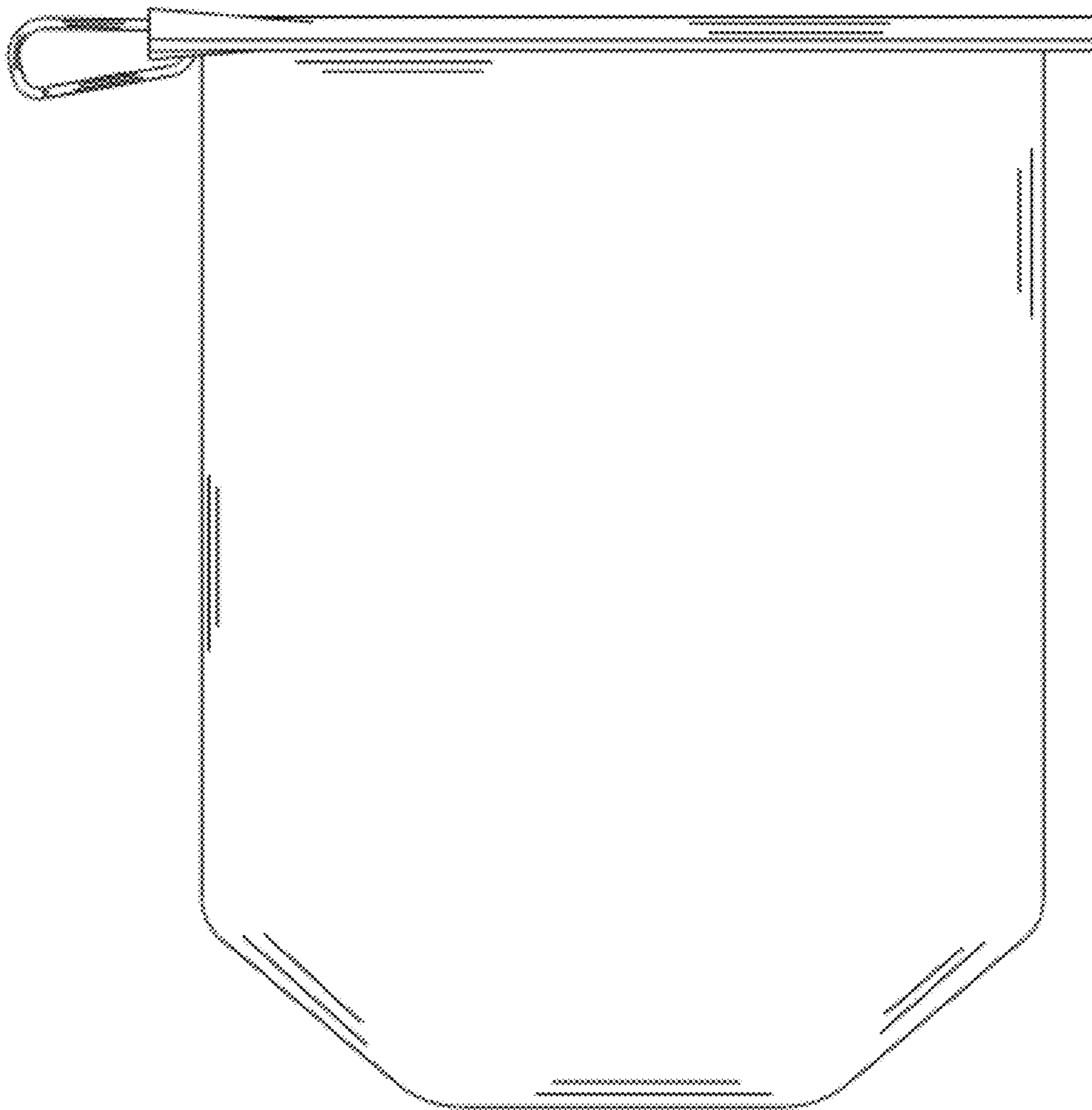


FIG. 7

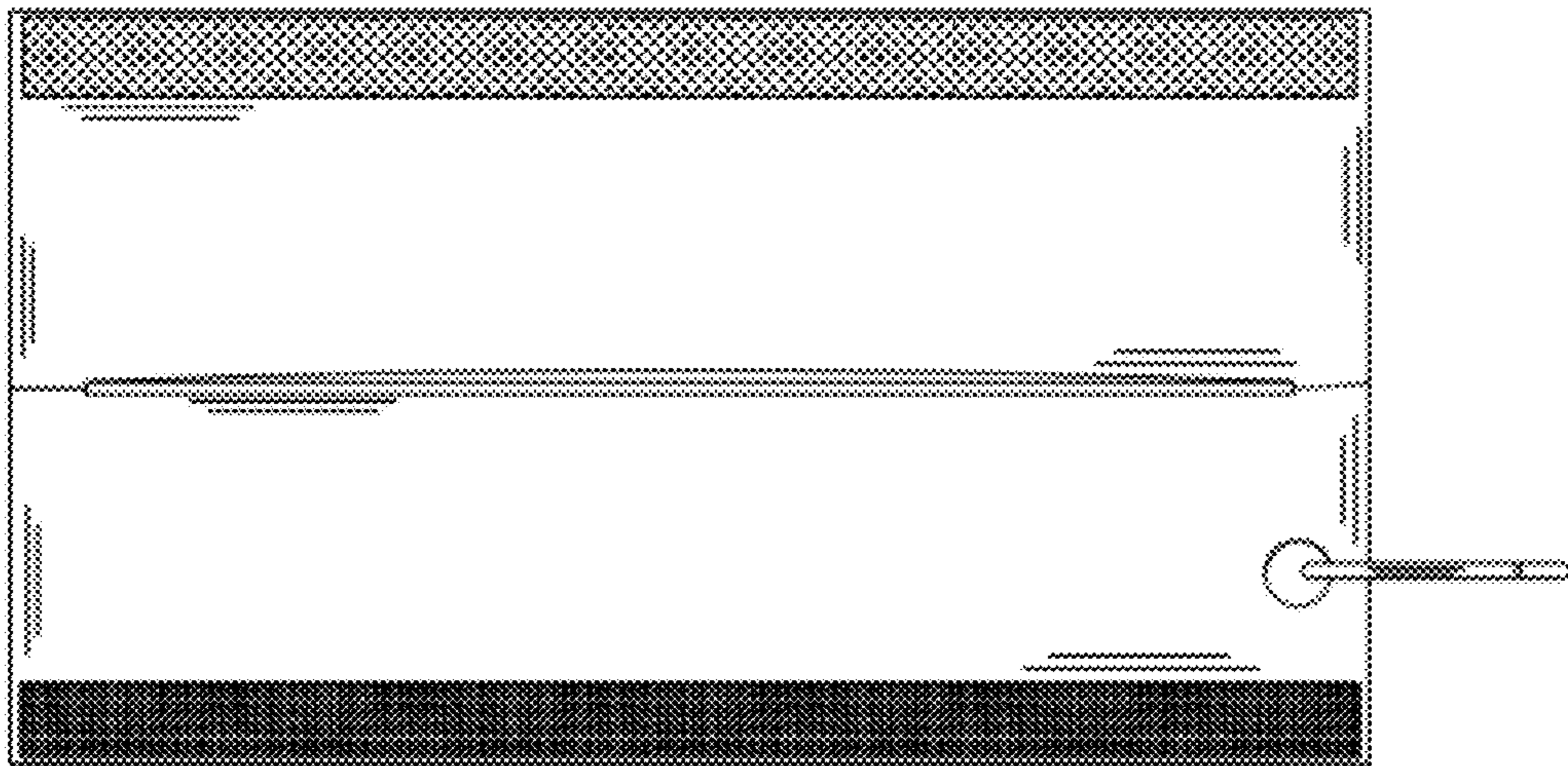


FIG. 8

